



US00D552659S

(12) **United States Design Patent**  
**Stephens et al.**

(10) **Patent No.:** **US D552,659 S**  
(45) **Date of Patent:** **\*\* Oct. 9, 2007**

(54) **CAMERA SUPPORT STAND**

(75) Inventors: **Brian Stephens**, Co. Dublin (IE);  
**Laurence Massey**, Dublin (IE); **Mark**  
**Martinez**, San Francisco, CA (US); **Ya**  
**Wen Hsu**, Hsinchu (TW)

(73) Assignee: **Logitech Europe S.A.** (CH)

(\*\*) Term: **14 Years**

(21) Appl. No.: **29/257,031**

(22) Filed: **Mar. 27, 2006**

(51) **LOC (8) Cl.** ..... **16-05**

(52) **U.S. Cl.** ..... **D16/242**; D16/237; D16/245

(58) **Field of Classification Search** ..... D16/200–206,  
D16/208, 214, 219, 242–245, 249, 250, 241,  
D16/235, 218; D6/300, 309, 310; D20/10;  
108/28, 60, 152, 147.17, 151, 157.13, 160,  
108/147.11, 42, 157.1, 69, 77, 158.12, 108,  
108/158.13, 110; 348/373–376, 143, 151;  
396/419, 428, 427, 535–541; 358/906, 909.1;  
352/293, 243; 248/168, 122.1, 177.1, 121,  
248/286.1, 126, 176.1, 918, 187.1, 920, 183.2,  
248/688, 171, 122, 200, 188.5; 224/265,  
224/270, 908; 354/81, 82

See application file for complete search history.

(56) **References Cited**

**U.S. PATENT DOCUMENTS**

714,043 A \* 11/1902 Seitz ..... 248/170  
D181,162 S \* 10/1957 Nassour et al. .... D16/214

4,044,694 A \* 8/1977 Wylie ..... 108/28  
4,805,863 A \* 2/1989 Armstrong et al. .... 248/243  
D382,286 S \* 8/1997 Doran ..... D16/242  
D386,157 S \* 11/1997 Hasegawa ..... D14/423  
D411,220 S \* 6/1999 Surabian ..... D16/242  
D411,520 S \* 6/1999 Iwakawa et al. .... D16/208  
D436,612 S \* 1/2001 Geng ..... D16/232  
6,751,914 B2 \* 6/2004 Zeh et al. .... 108/60  
D511,352 S 11/2005 Oliver et al.

\* cited by examiner

*Primary Examiner*—Ian Simmons

*Assistant Examiner*—Wan Laymon

(74) *Attorney, Agent, or Firm*—Townsend and Townsend  
and Crew LLP

(57) **CLAIM**

The ornamental design for a camera support stand, as shown  
and described.

**DESCRIPTION**

FIG. 1 is a perspective view of a camera support stand  
showing our new design;

FIG. 2 is a front elevational view thereof;

FIG. 3 is a rear elevational view thereof;

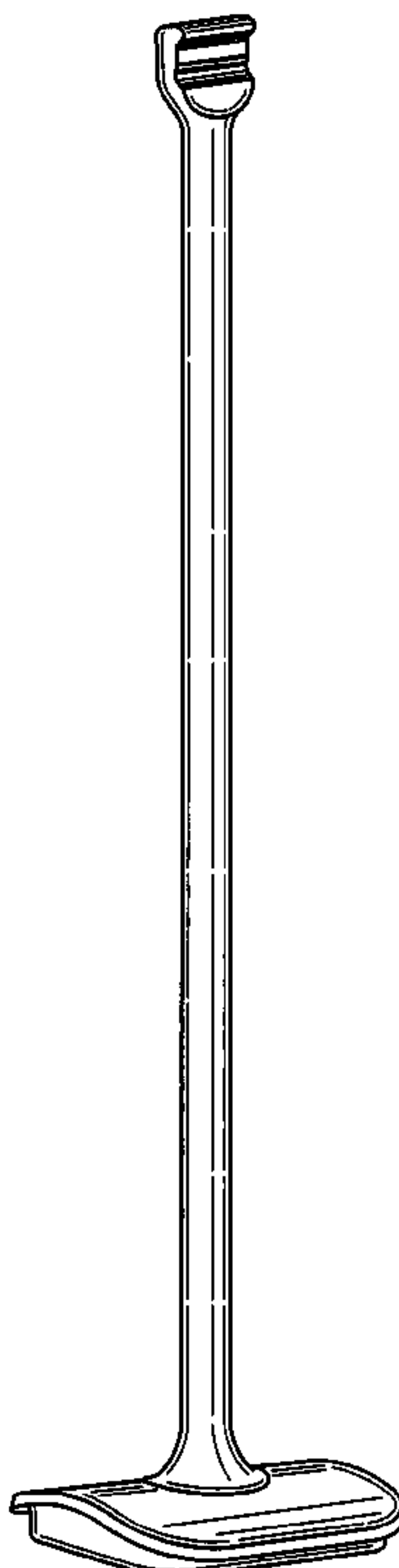
FIG. 4 is a left elevational view thereof;

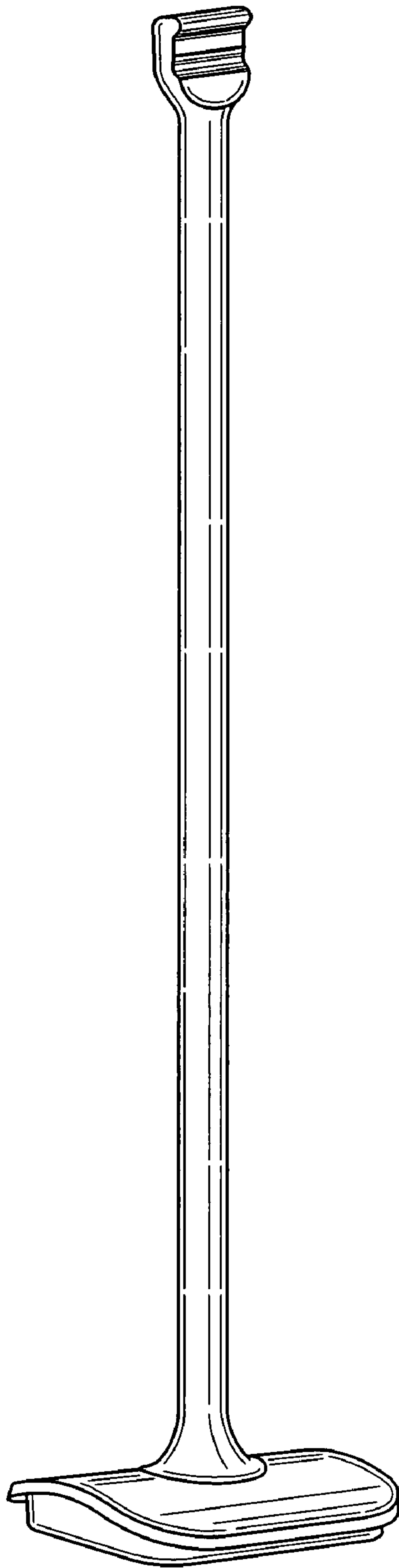
FIG. 5 is a right elevational view thereof;

FIG. 6 is a top plan view thereof; and,

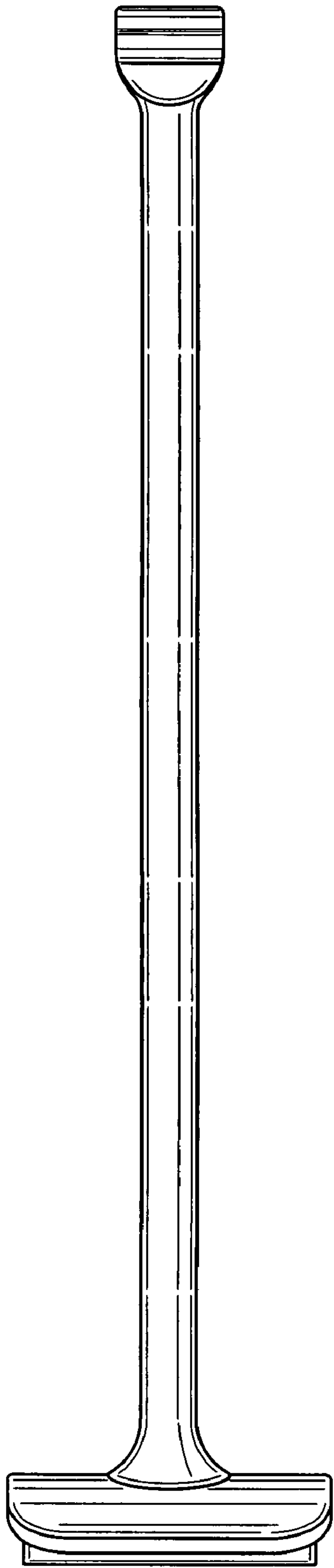
FIG. 7 is a bottom plan view thereof.

**1 Claim, 4 Drawing Sheets**

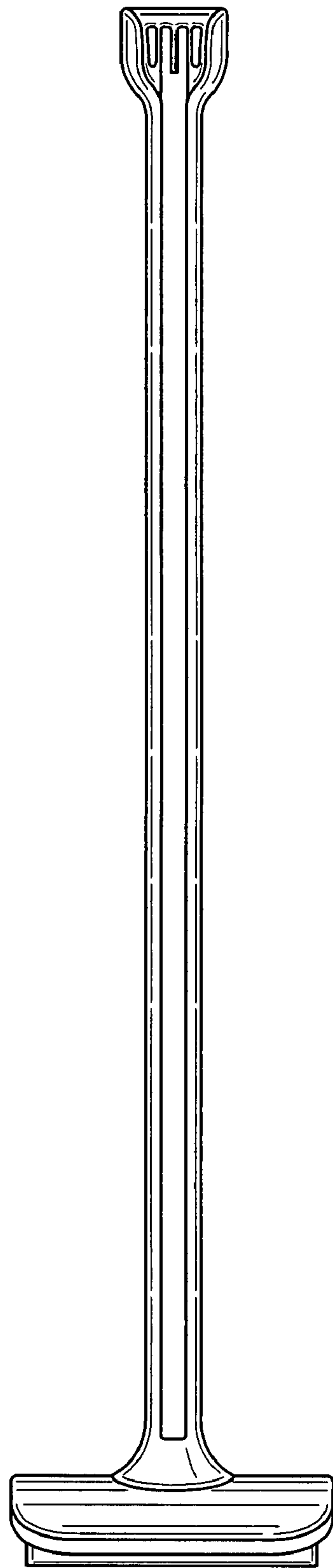




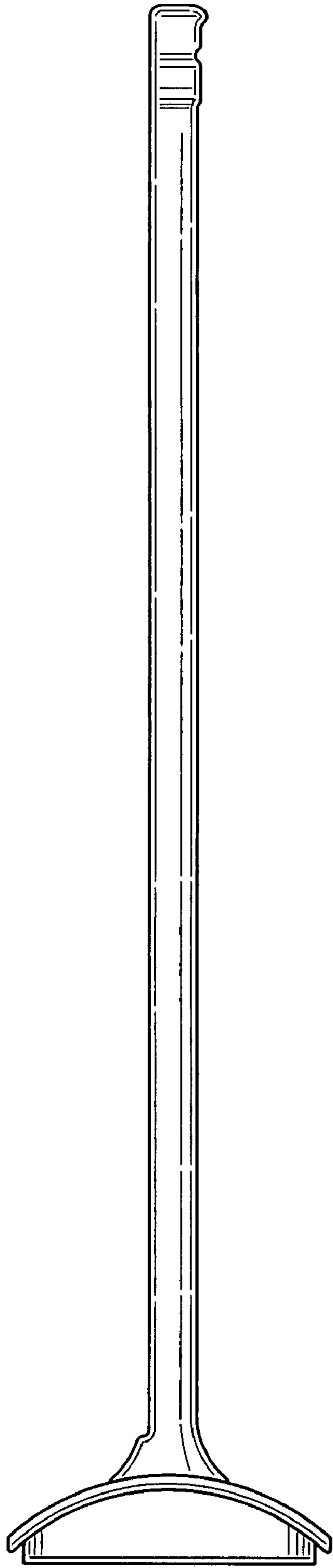
*FIG. 1*



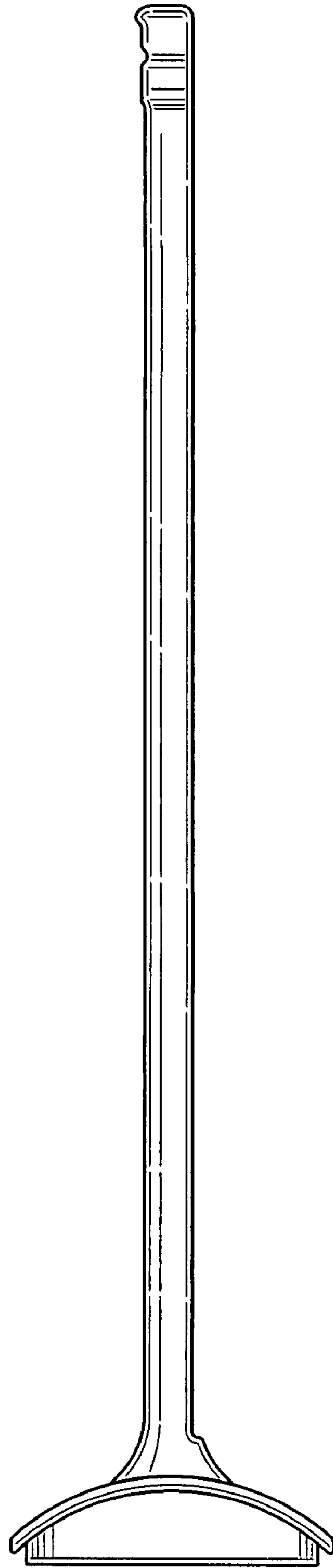
*FIG. 2*



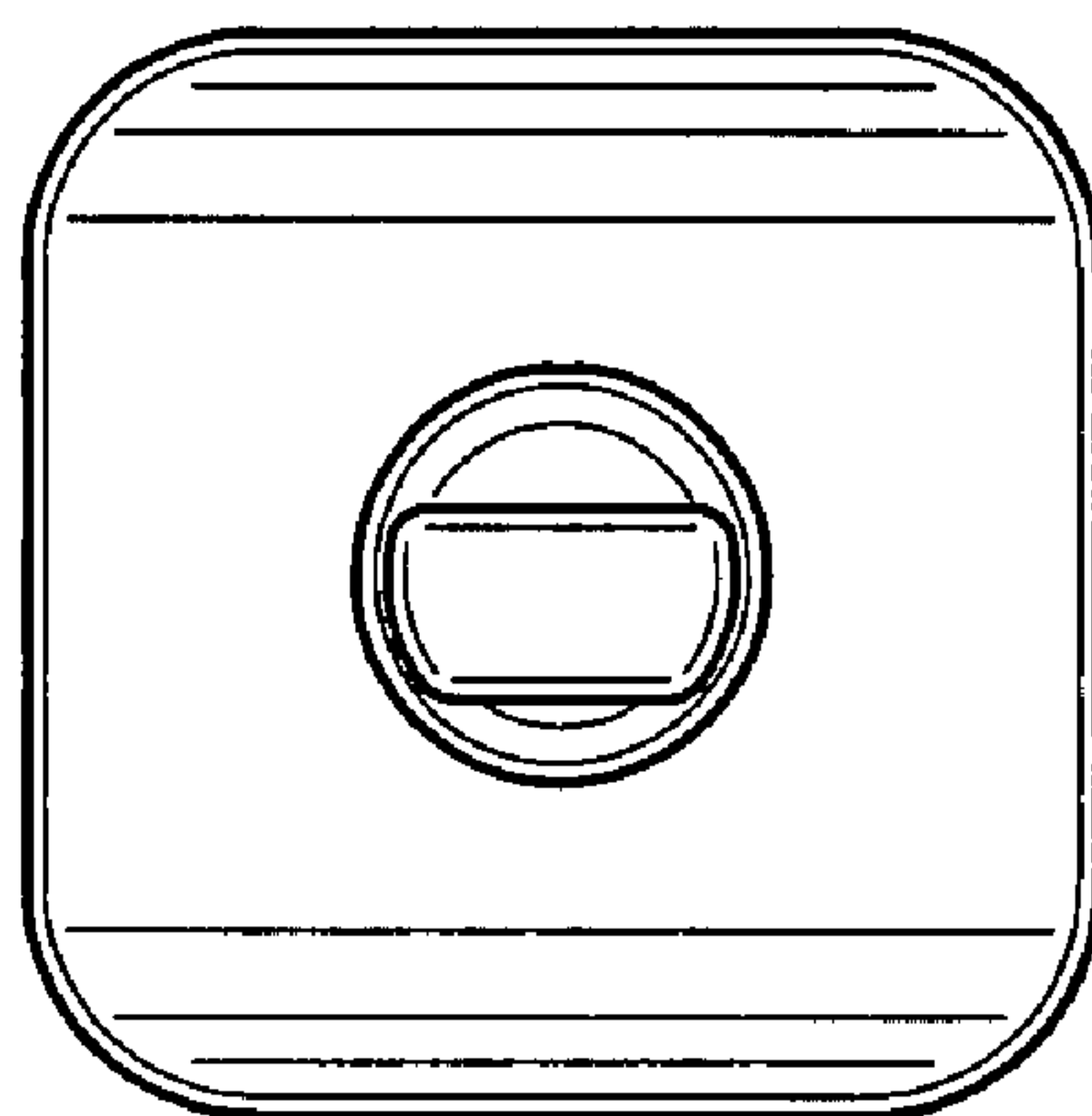
*FIG. 3*



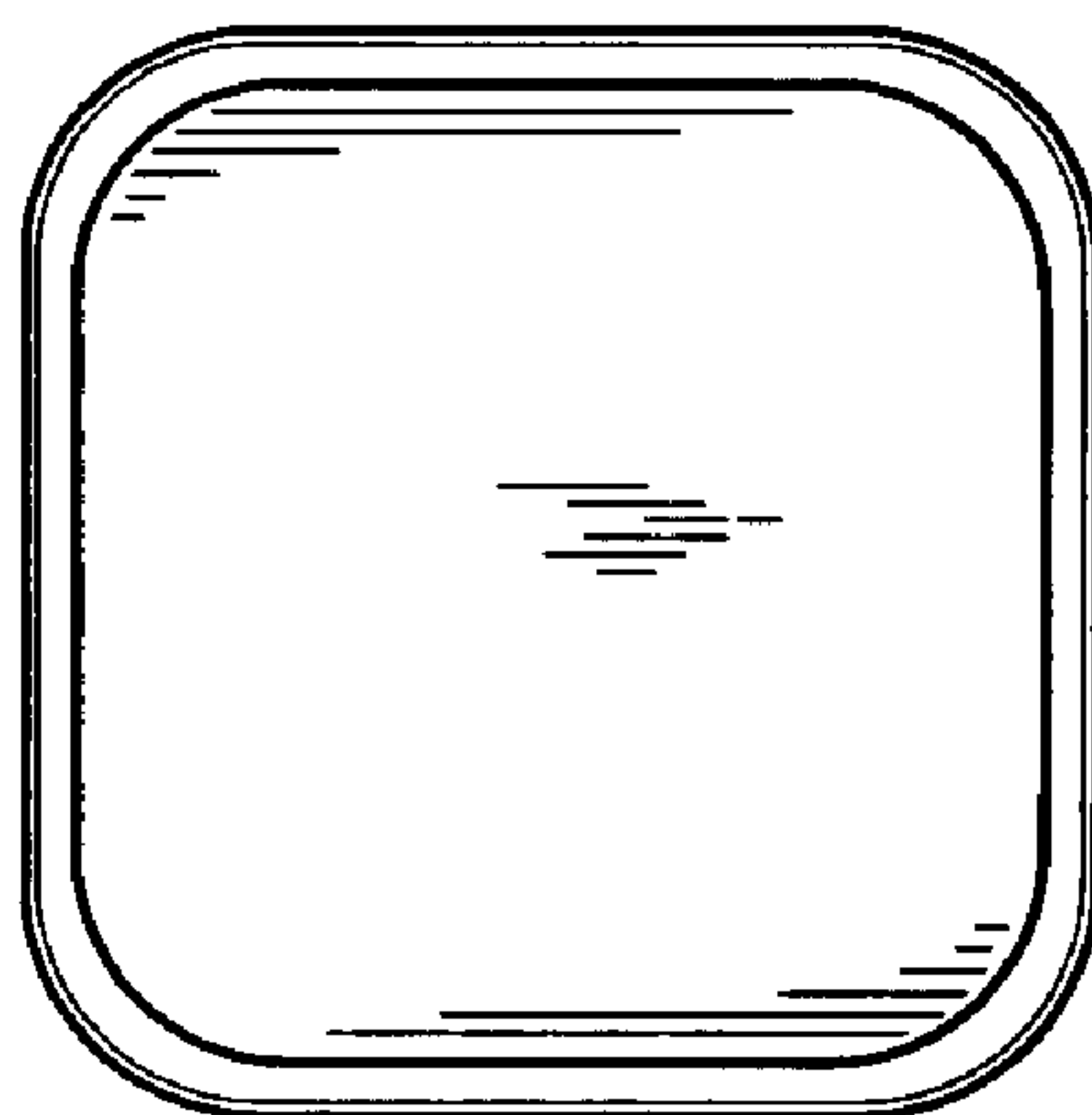
*FIG. 4*



*FIG. 5*



*FIG. 6*



*FIG. 7*