



US00D552658S

(12) **United States Design Patent**
Moore et al.

(10) **Patent No.:** **US D552,658 S**

(45) **Date of Patent:** **** Oct. 9, 2007**

(54) **PORTABLE CAMERA SUPPORT**

2005/0051683 A1* 3/2005 Young 248/187.1

(75) Inventors: **Darrin Moore**, Preston, MD (US);
John Buchanan, Preston, MD (US);
Edward J. Kondracki, Great Falls, VA
(US)

* cited by examiner

Primary Examiner—Ian Simmons
Assistant Examiner—Wan Laymon
(74) *Attorney, Agent, or Firm*—Miles & Stockbridge P.C.

(73) Assignee: **Cross Winds Concepts, LLC**, Preston,
MD (US)

(57) **CLAIM**

(**) Term: **14 Years**

We claim the ornamental design for a portable camera support, as shown and described.

(21) Appl. No.: **29/248,700**

DESCRIPTION

(22) Filed: **Aug. 29, 2006**

FIG. 1 is a front perspective view of a portable camera support showing our new design;

(51) **LOC (8) Cl.** **16-04**

FIG. 2 is a rear perspective view thereof;

(52) **U.S. Cl.** **D16/242; D16/245**

FIG. 3 is a front view thereof;

(58) **Field of Classification Search** D16/200–206,

FIG. 4 is a left side view thereof;

D16/208, 214, 219, 242–245, 249, 250, 241,
D16/235, 218; 348/373–376, 143, 151; 396/419,
396/248, 427, 535–541, 906, 909.1; 352/293,
352/243; 248/168, 122.1, 177.1, 121, 286.1,
248/126, 176.1, 918, 187.1, 920, 183.2, 688,
248/231.31, 200, 188.5, 122, 163.2, 170–171,
248/535, 297.21, 534; 354/81, 82; 108/152,
108/157.1, 147.17, 110, 423, 147.11, 69,
108/158.12, 77; 211/107, 203, 186.01; D20/41,
D20/43

FIG. 5 is a top view thereof;

FIG. 6 is a rear view thereof;

FIG. 7 is a right side view thereof;

FIG. 8 is a bottom view thereof;

FIG. 9 is a front perspective view of the second embodiment of a portable camera support showing our new design;

FIG. 10 is a rear perspective view thereof;

FIG. 11 is a front view thereof;

FIG. 12 is a left side view thereof;

FIG. 13 is a top view thereof;

FIG. 14 is a rear view thereof;

FIG. 15 is a right side view thereof; and,

FIG. 16 is a bottom view thereof.

It is understood that a portable camera support shown broken away to indicate indeterminate length.

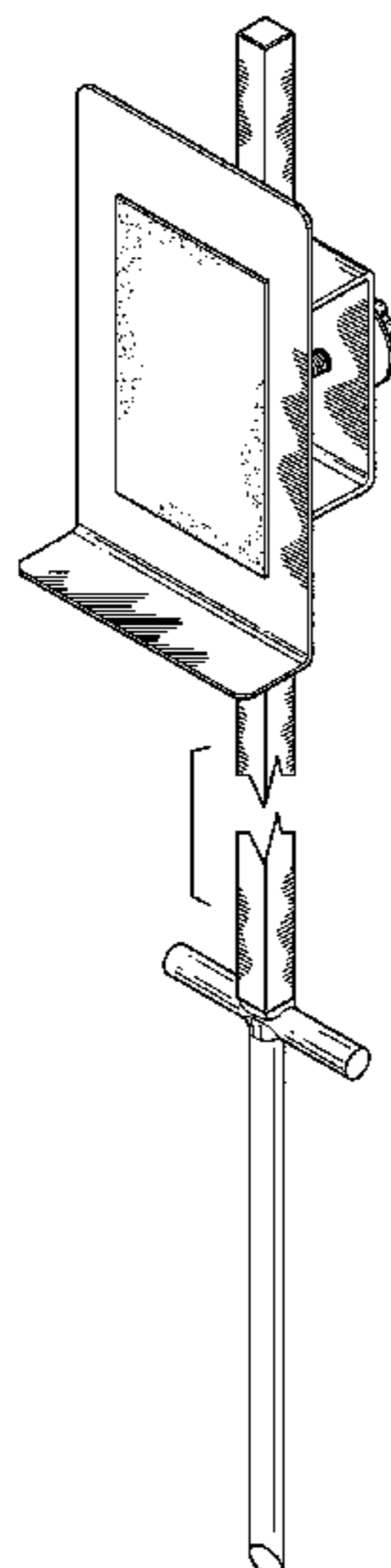
See application file for complete search history.

(56) **References Cited**

U.S. PATENT DOCUMENTS

3,164,349	A *	1/1965	Armstrong	248/171
4,278,224	A *	7/1981	Arakawa	248/297.21
D261,401	S *	10/1981	Collis	D20/41
4,601,565	A *	7/1986	Fisher	396/419
D313,030	S *	12/1990	Morton	D16/242
D364,883	S *	12/1995	Park	D16/202
D386,157	S *	11/1997	Hasegawa	D16/202
6,601,805	B1 *	8/2003	Kapp	248/171

1 Claim, 6 Drawing Sheets



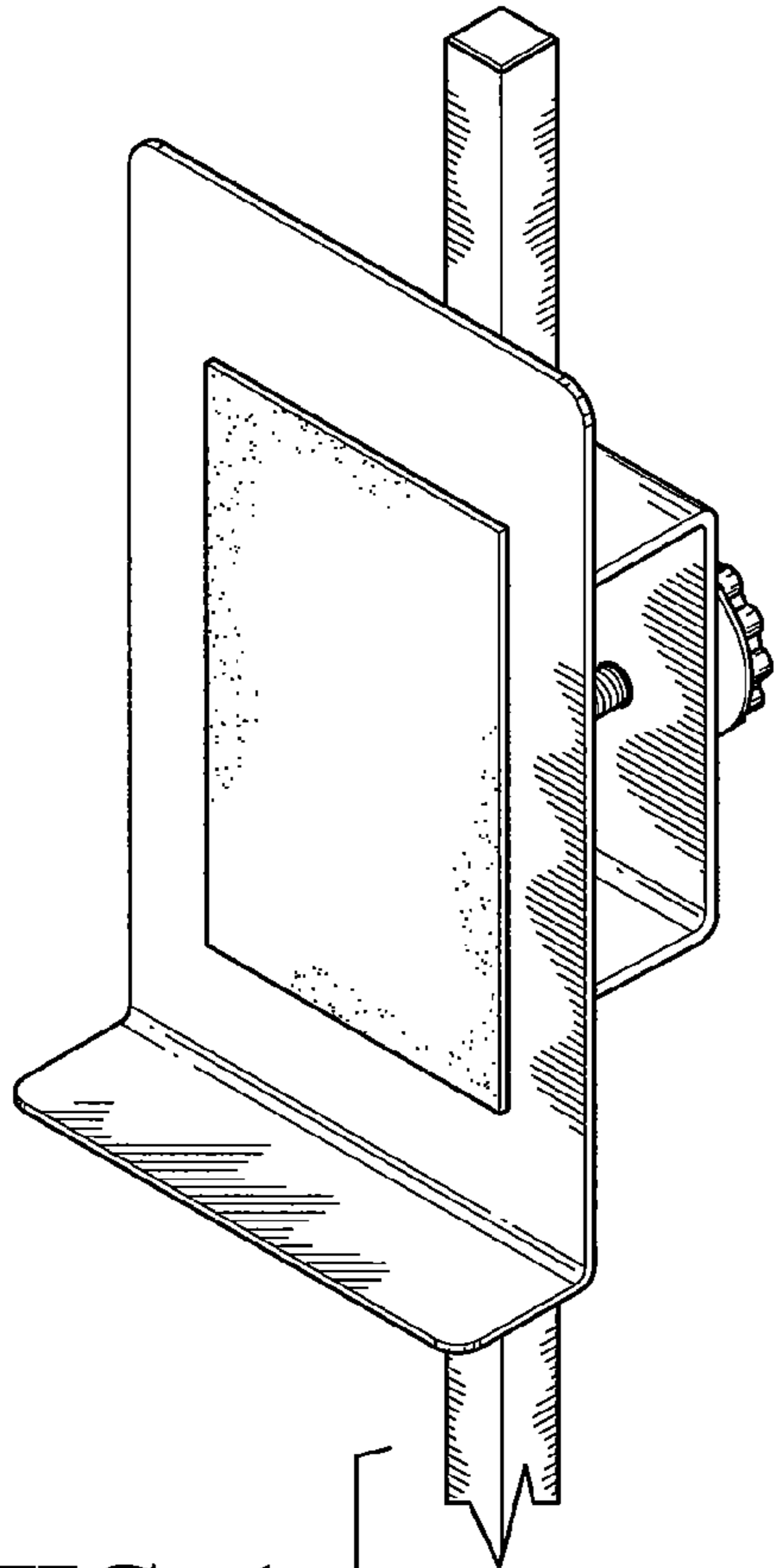


FIG. 1

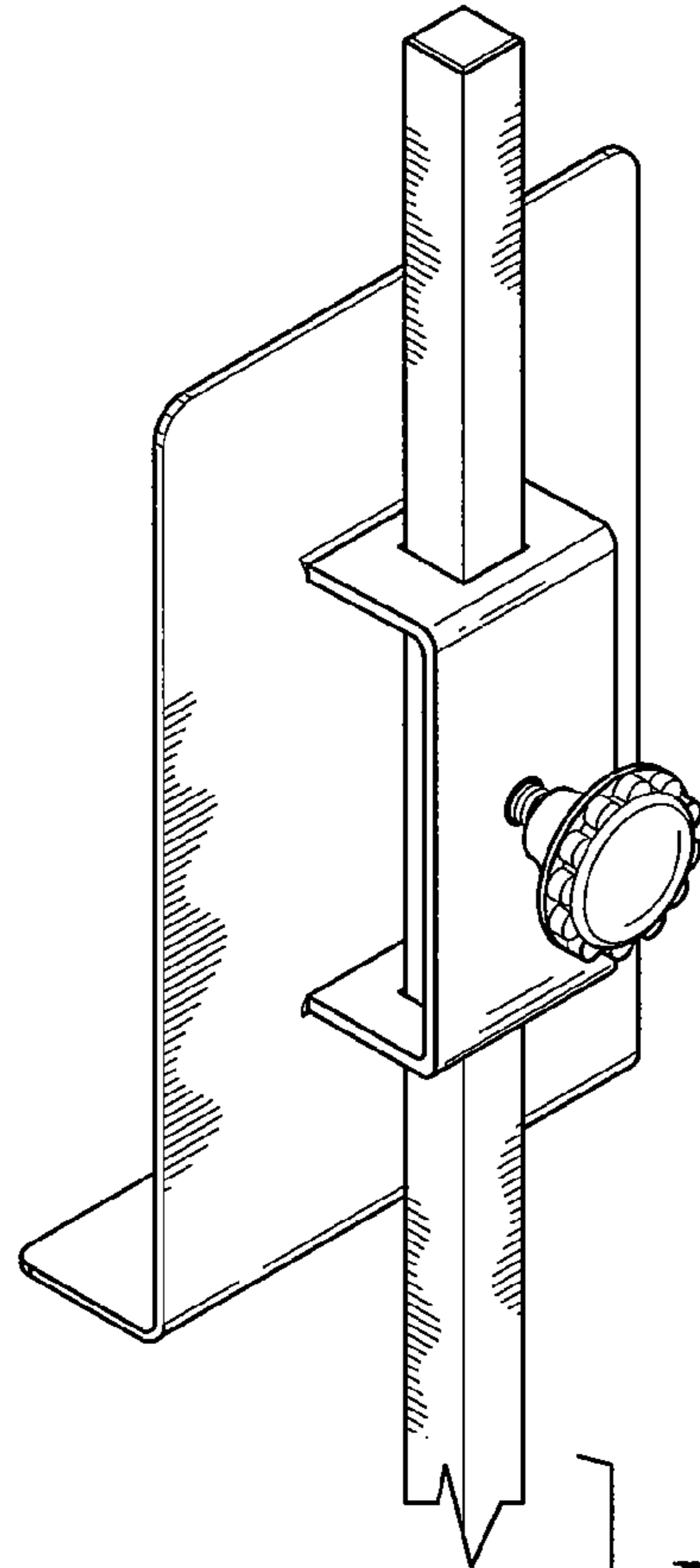
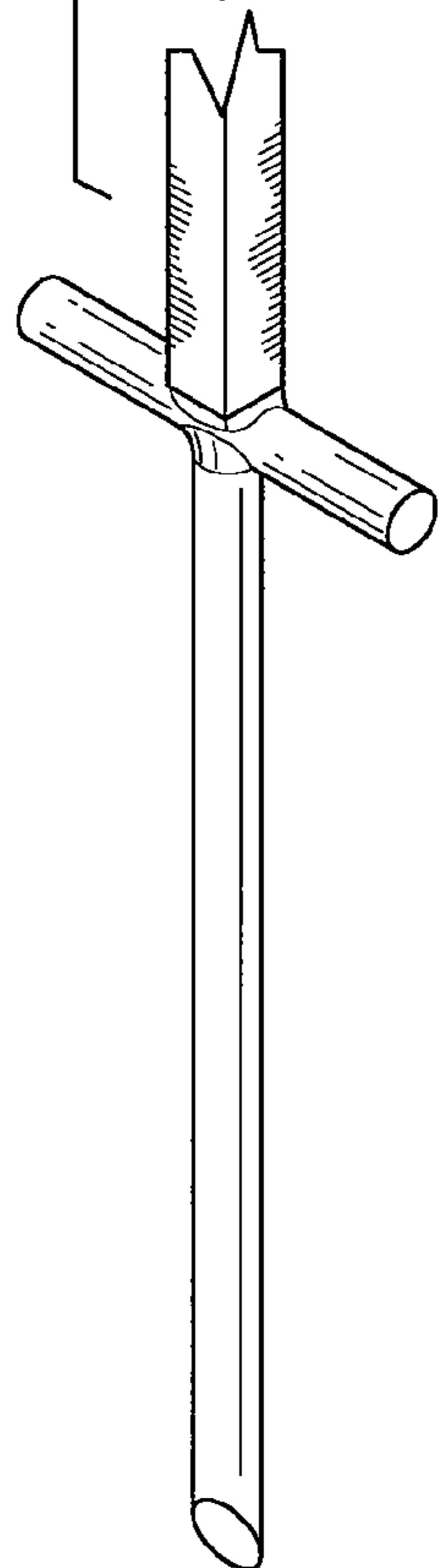
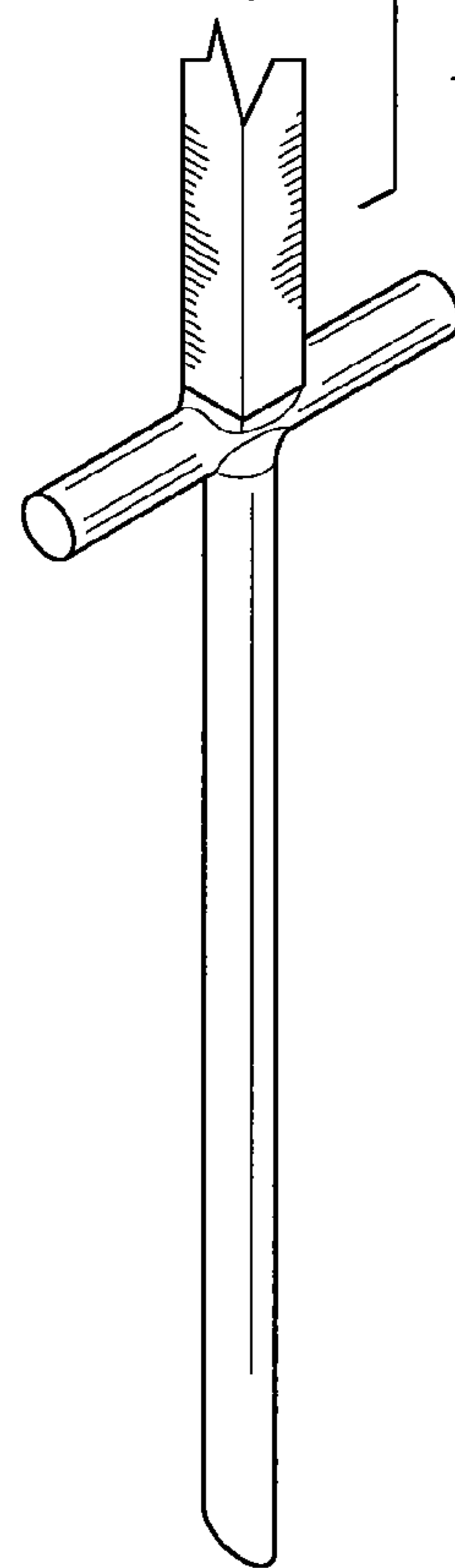


FIG. 2



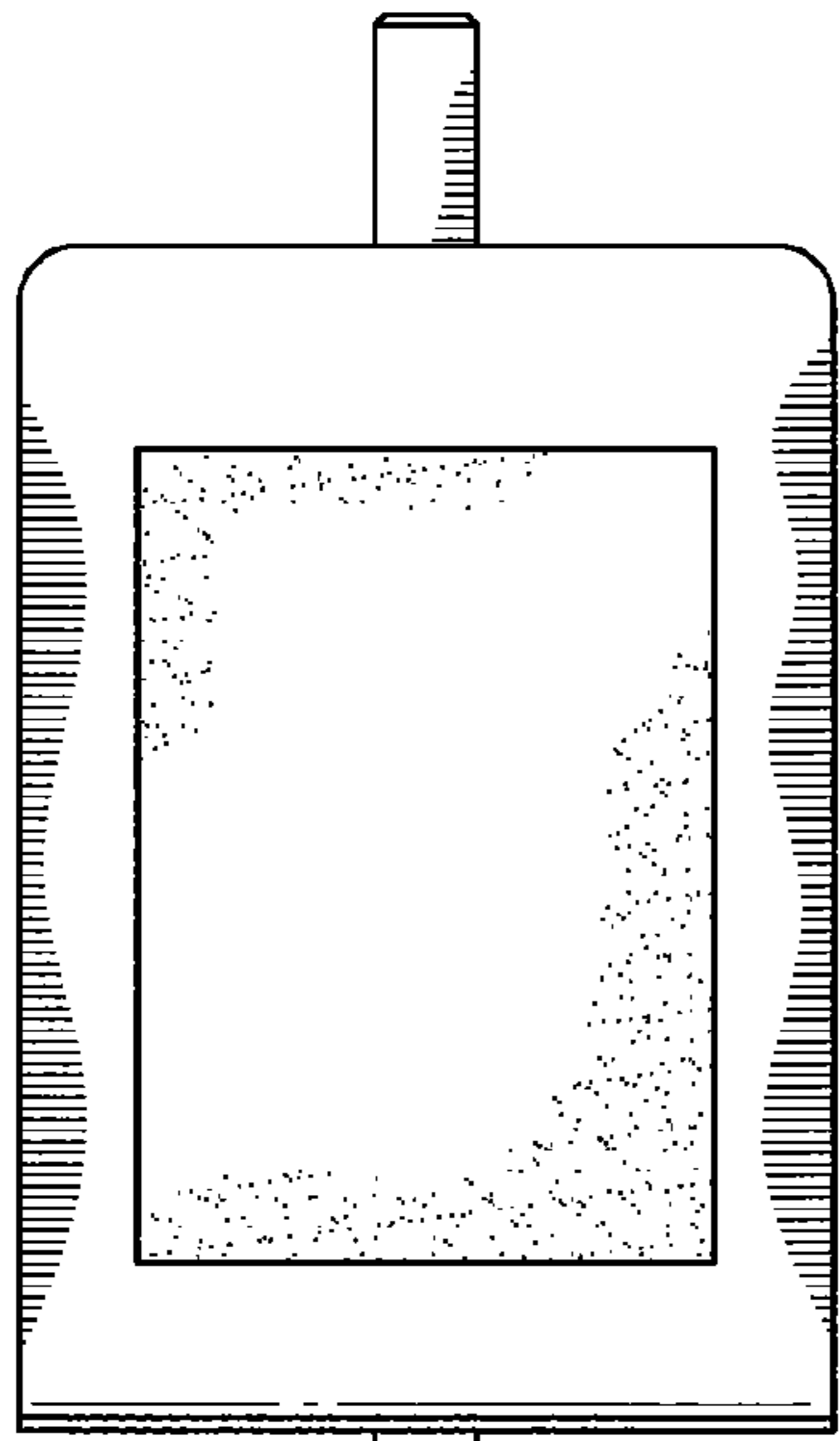


FIG. 3

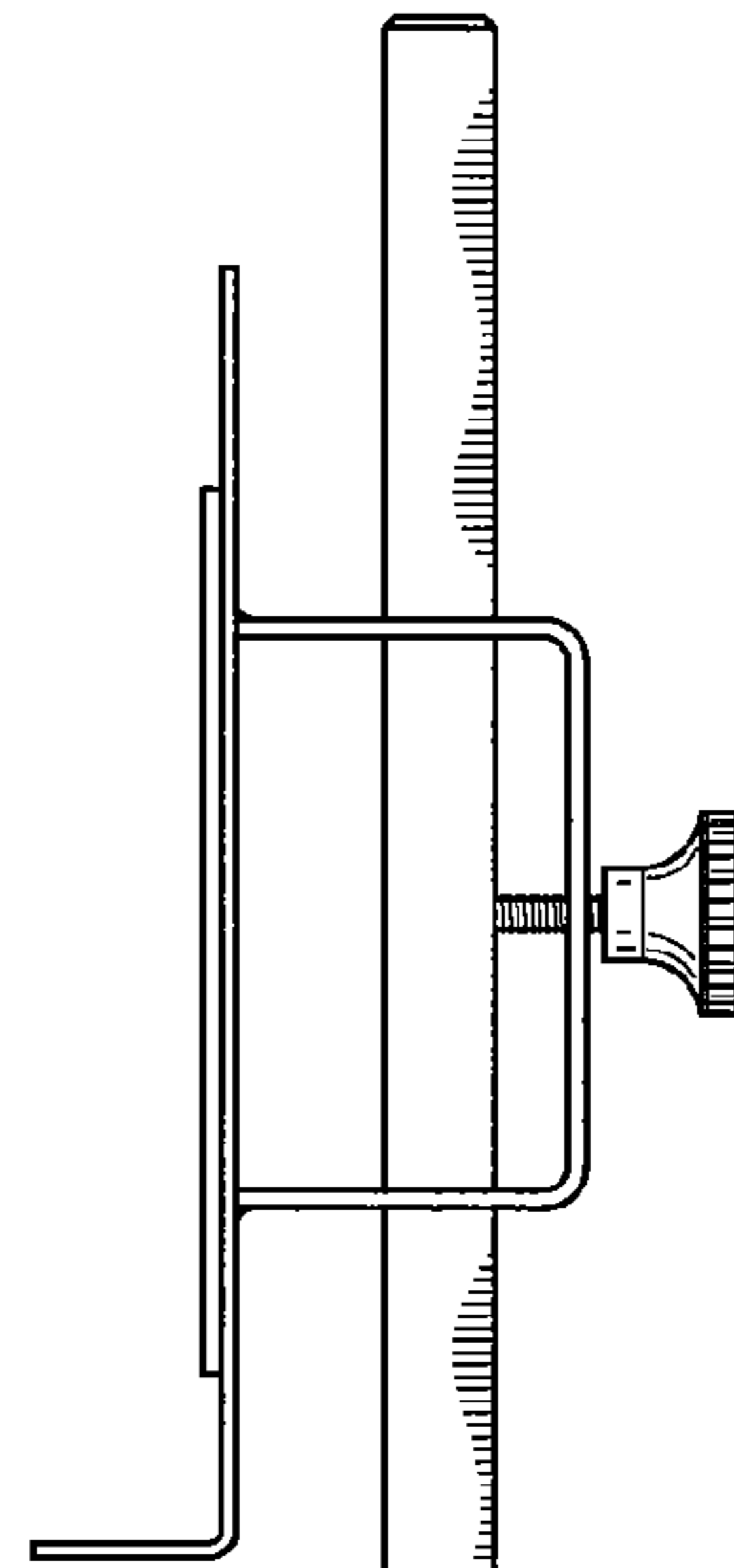
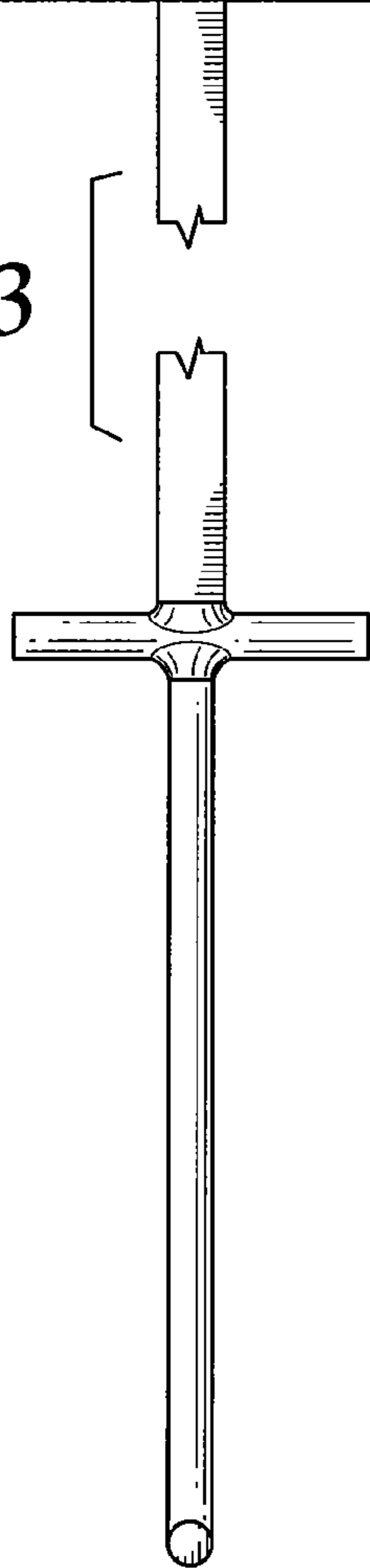


FIG. 4

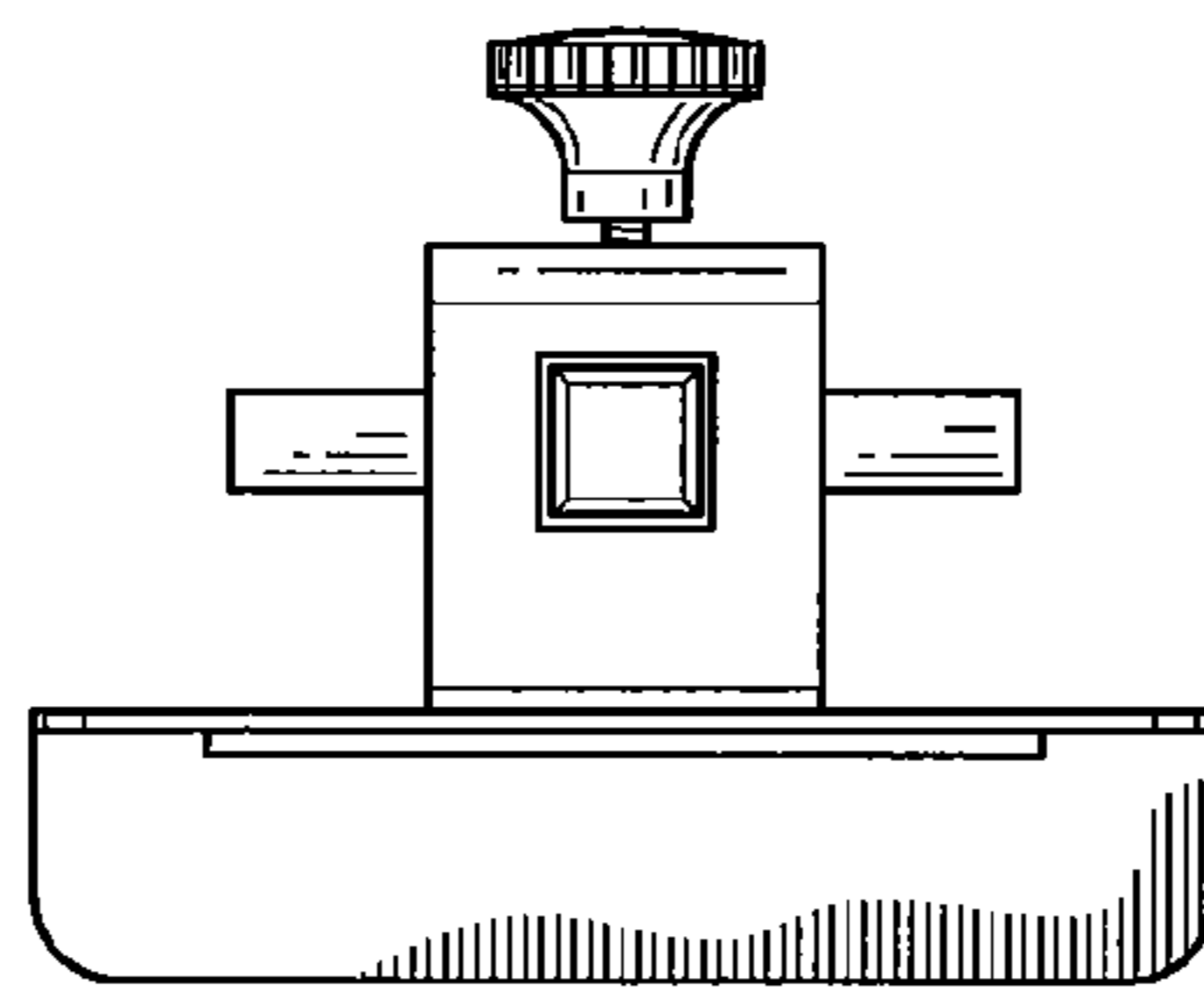


FIG. 5

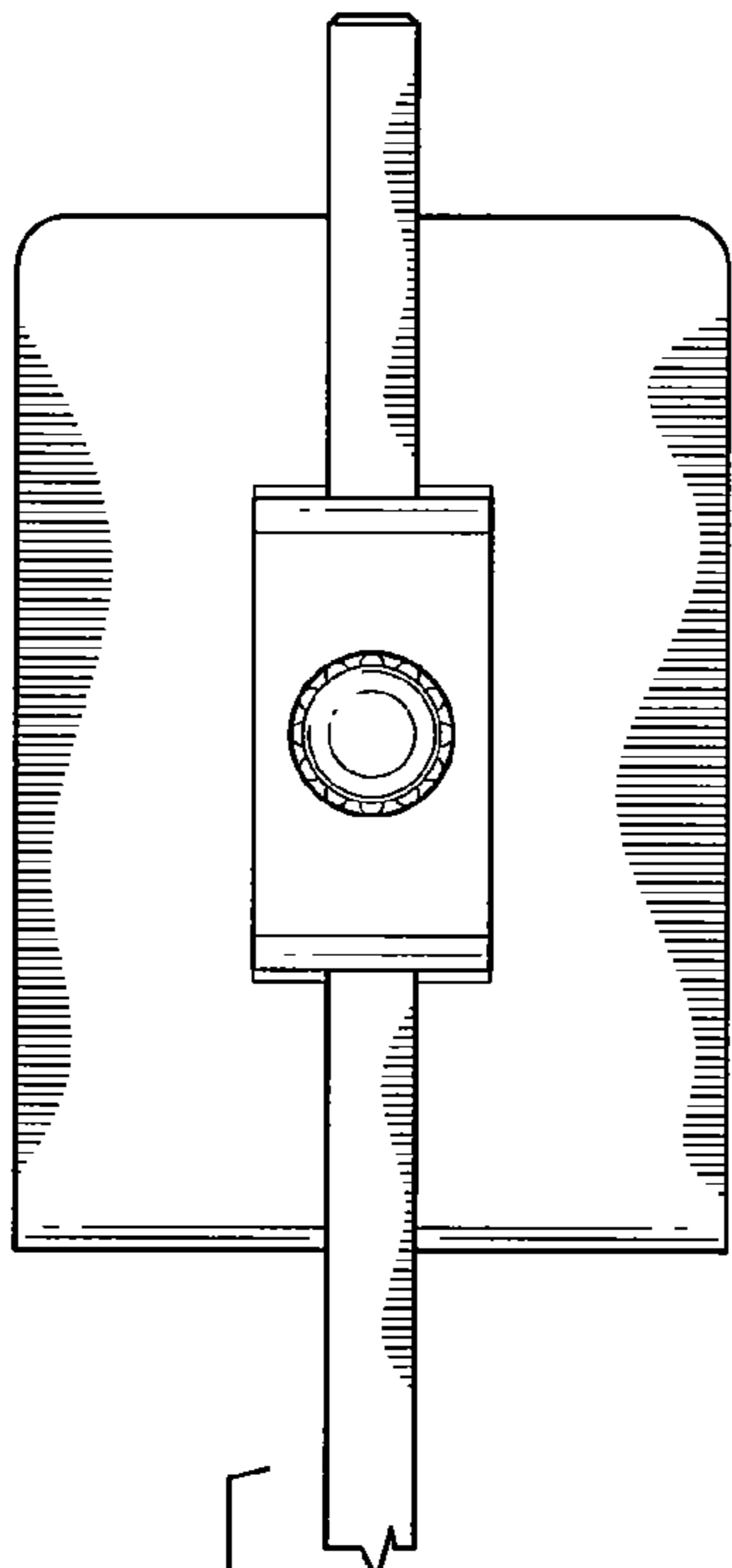


FIG. 6

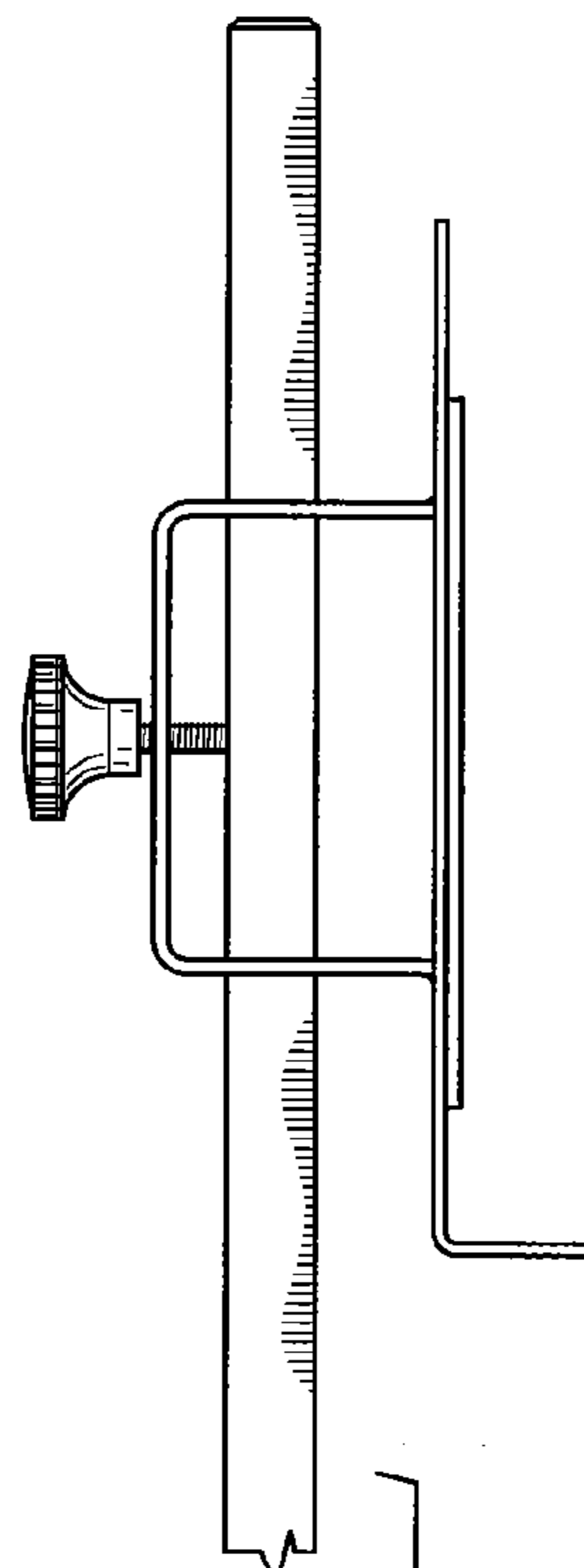
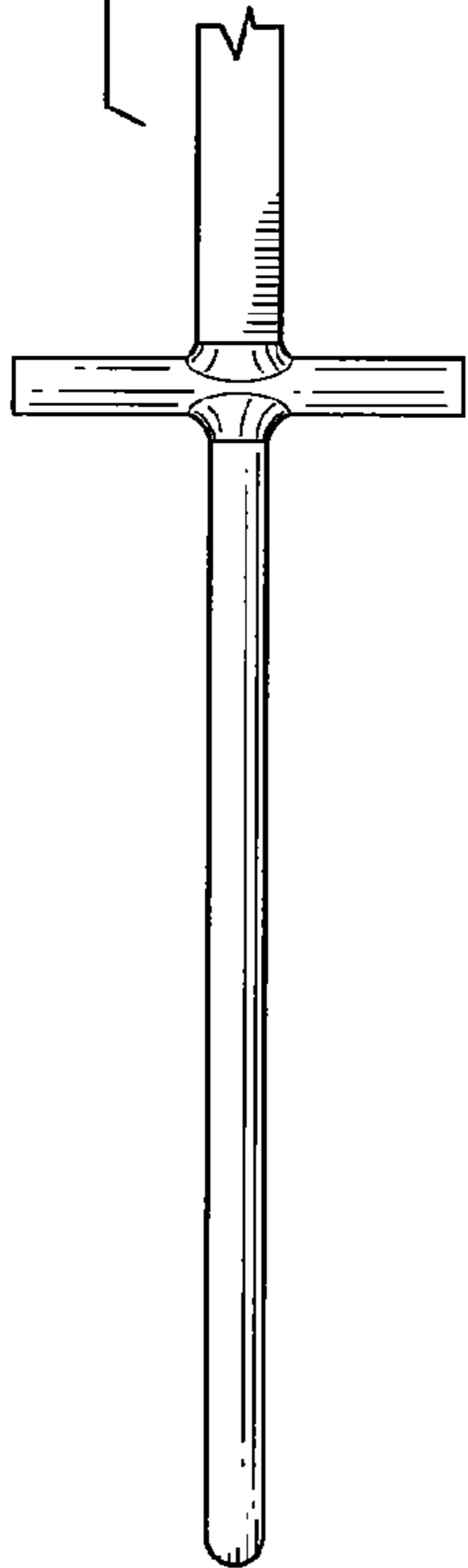


FIG. 7

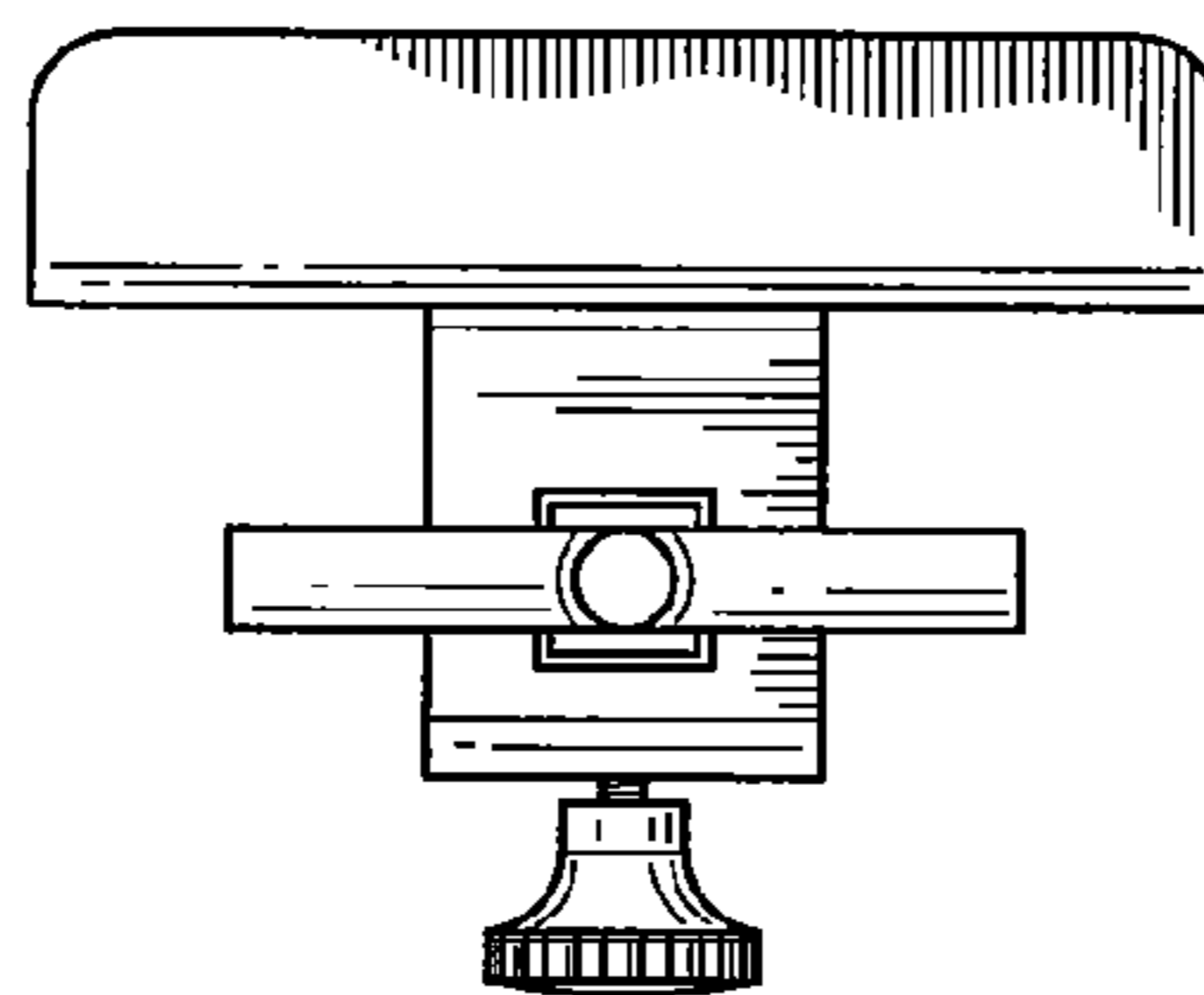
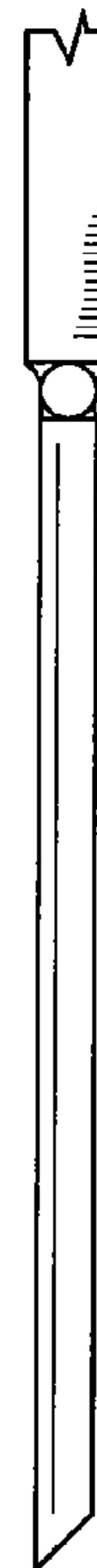


FIG. 8

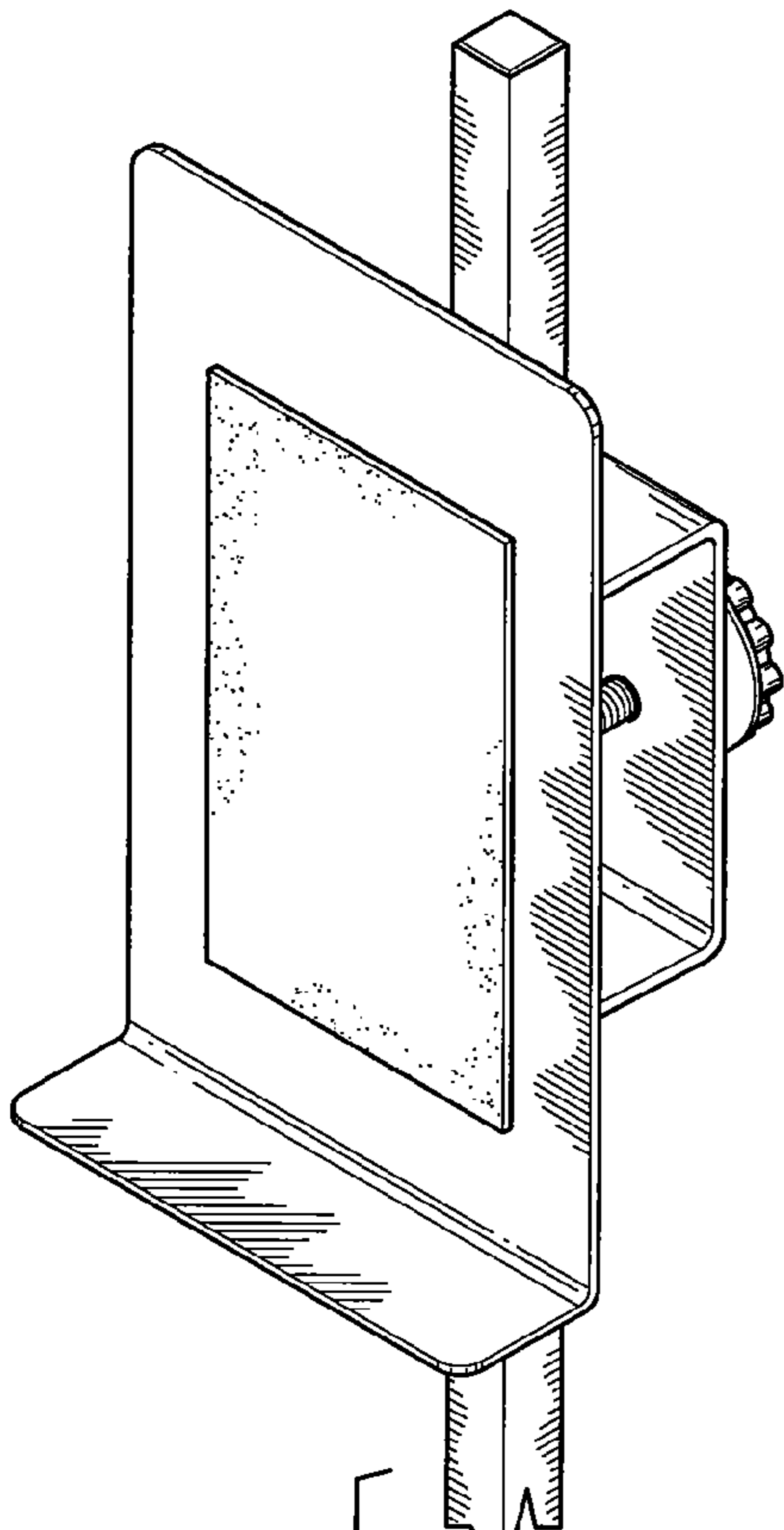


FIG. 9

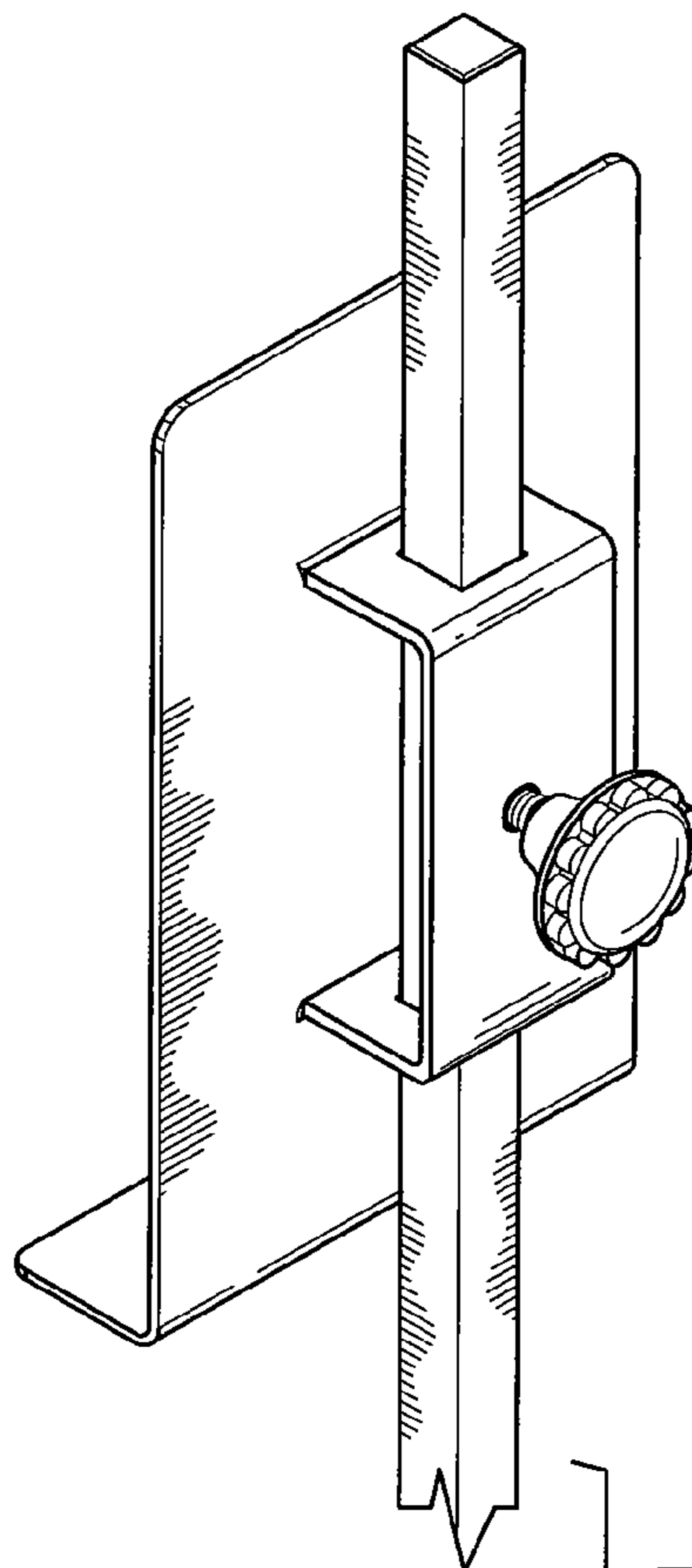
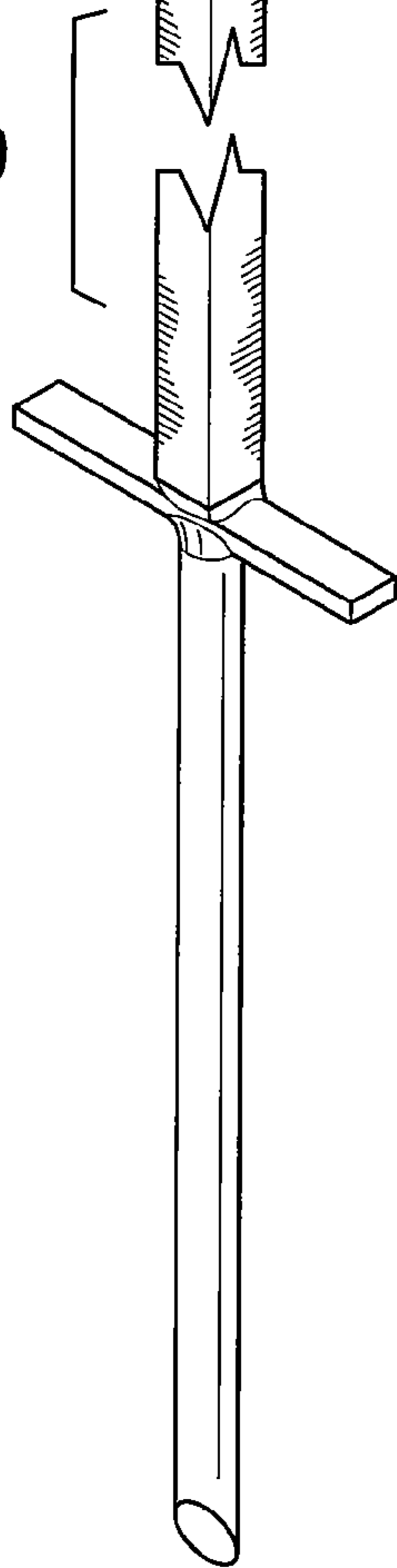
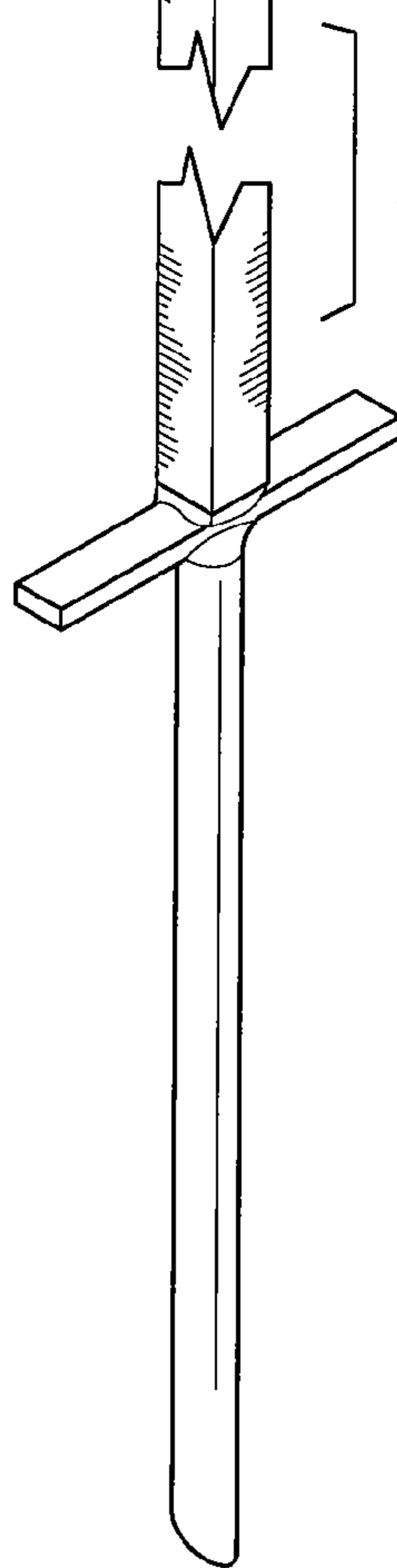


FIG. 10



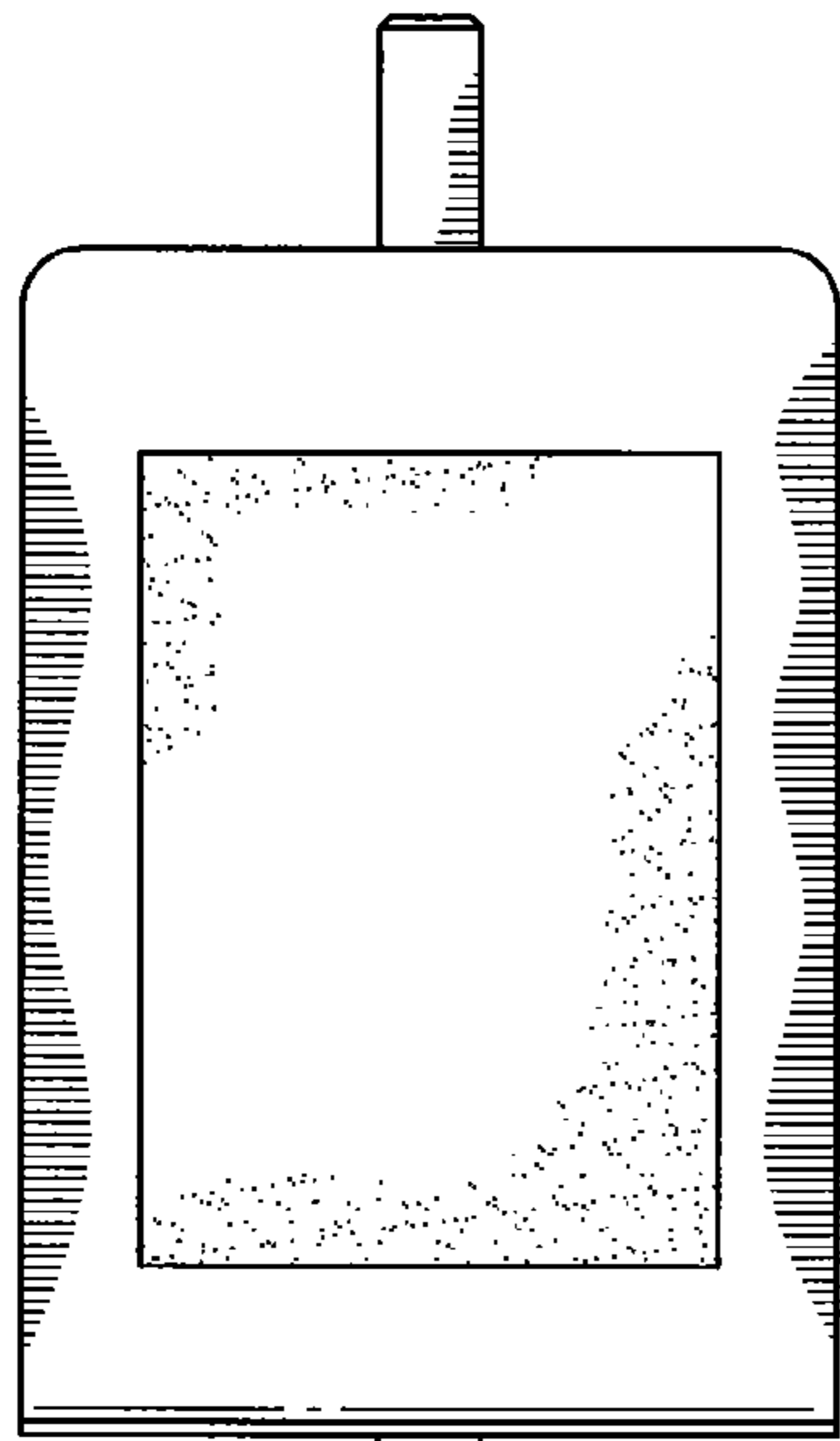


FIG. 11

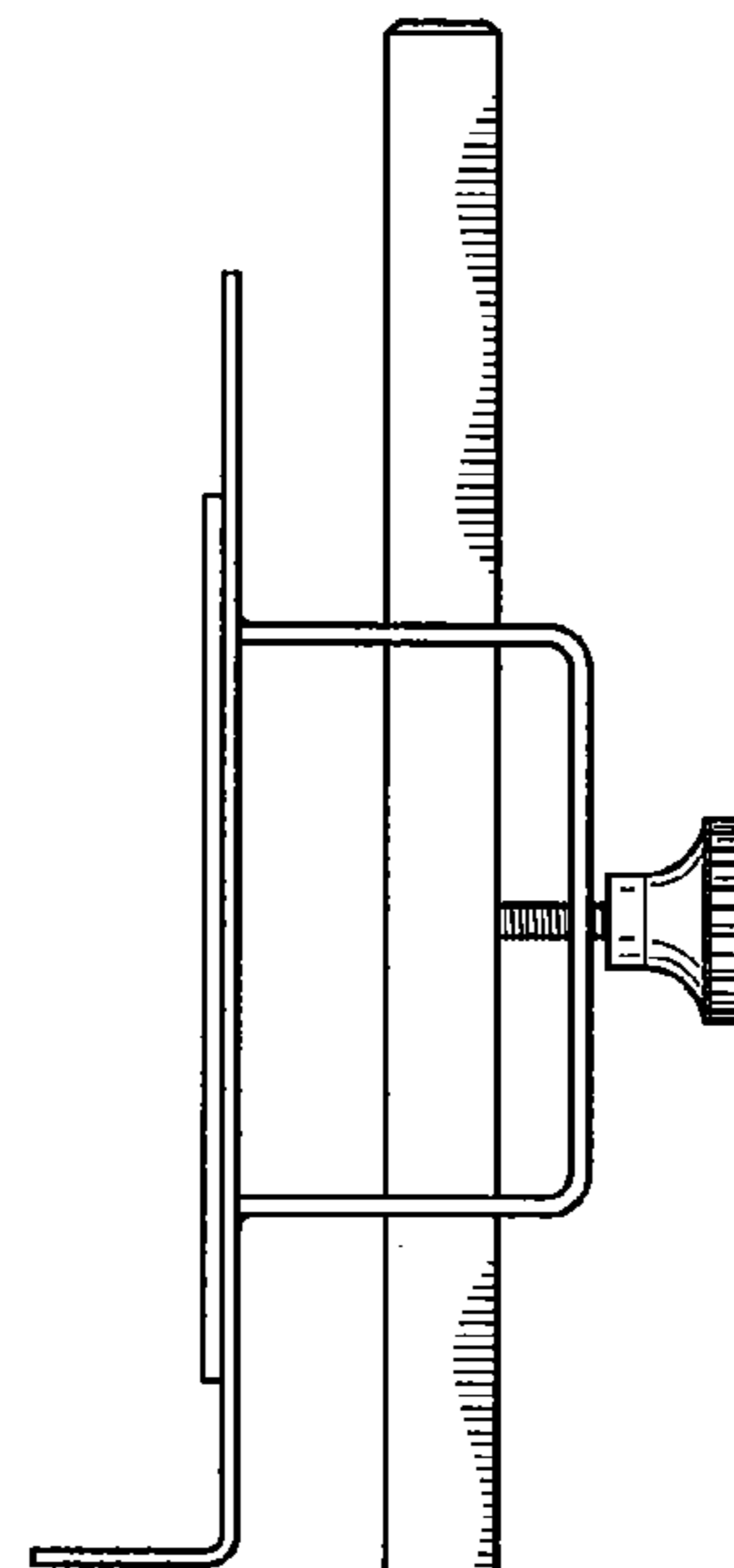
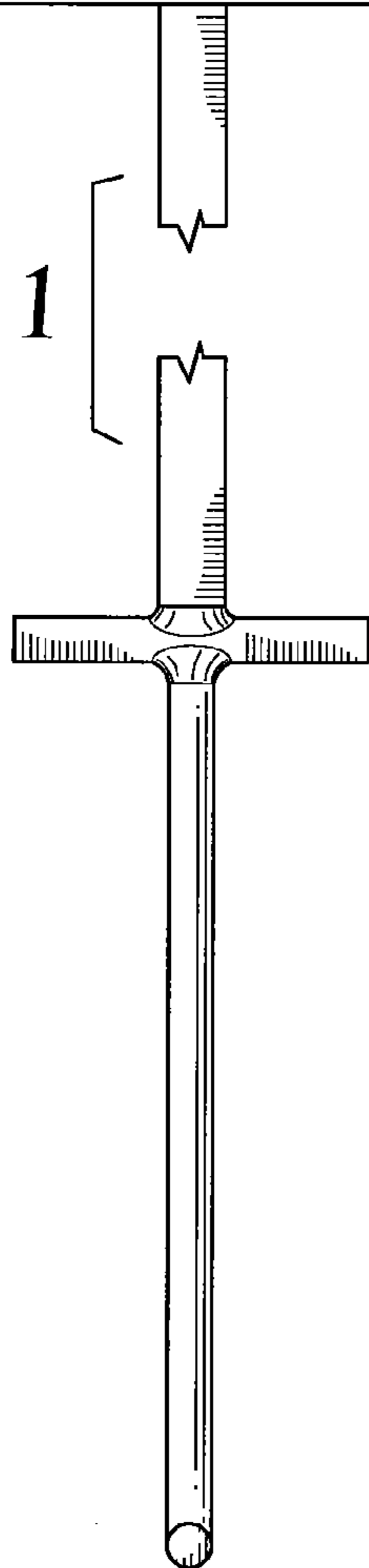


FIG. 12

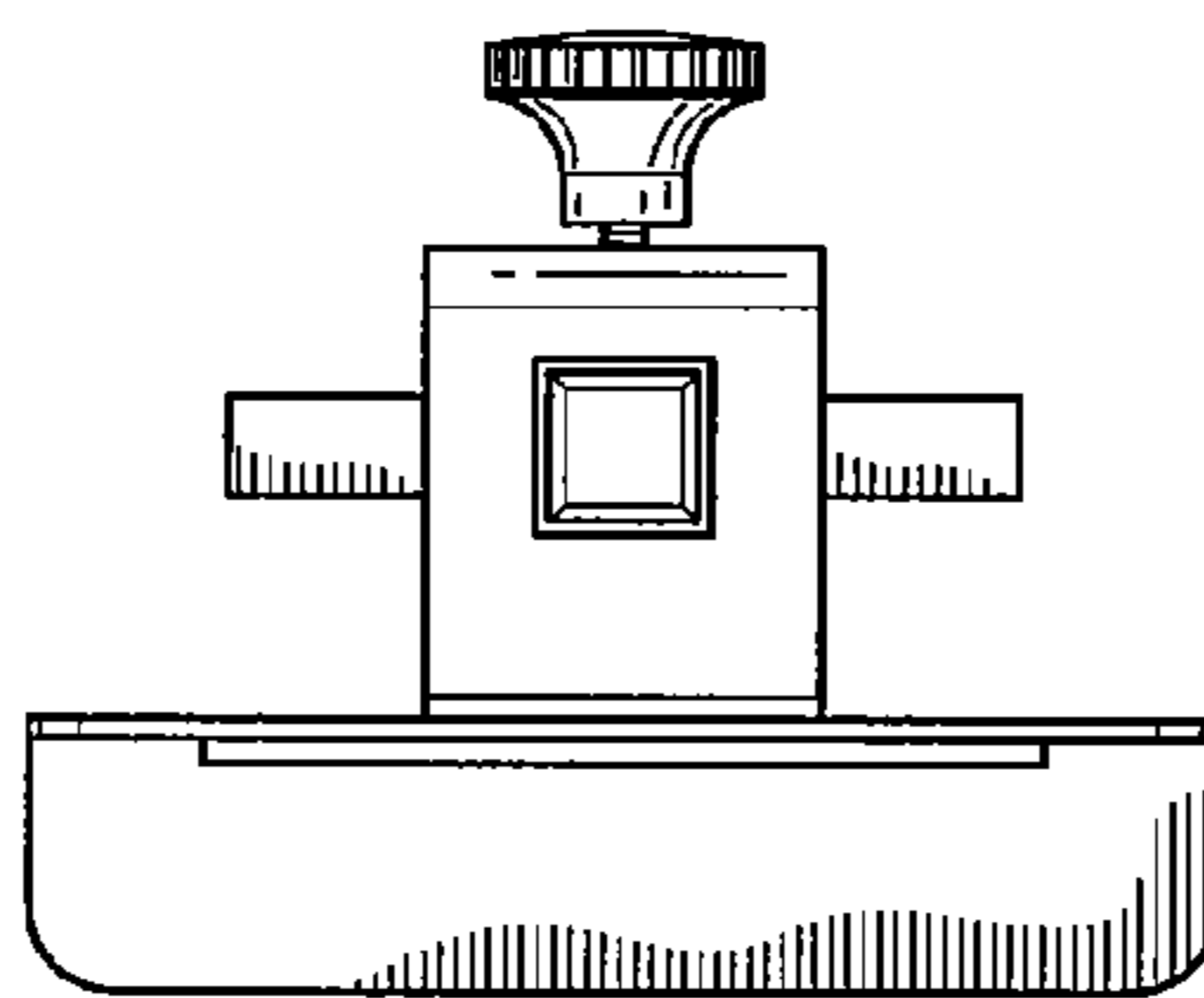
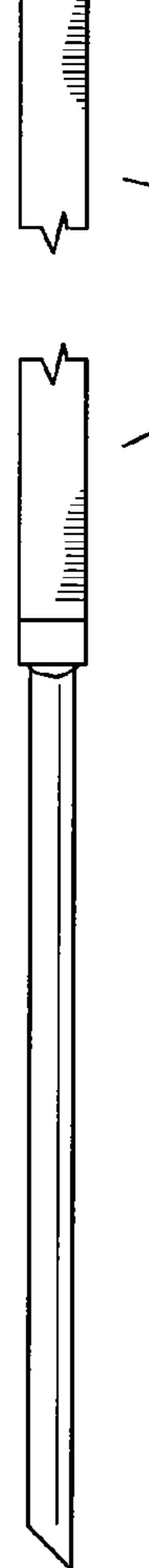


FIG. 13

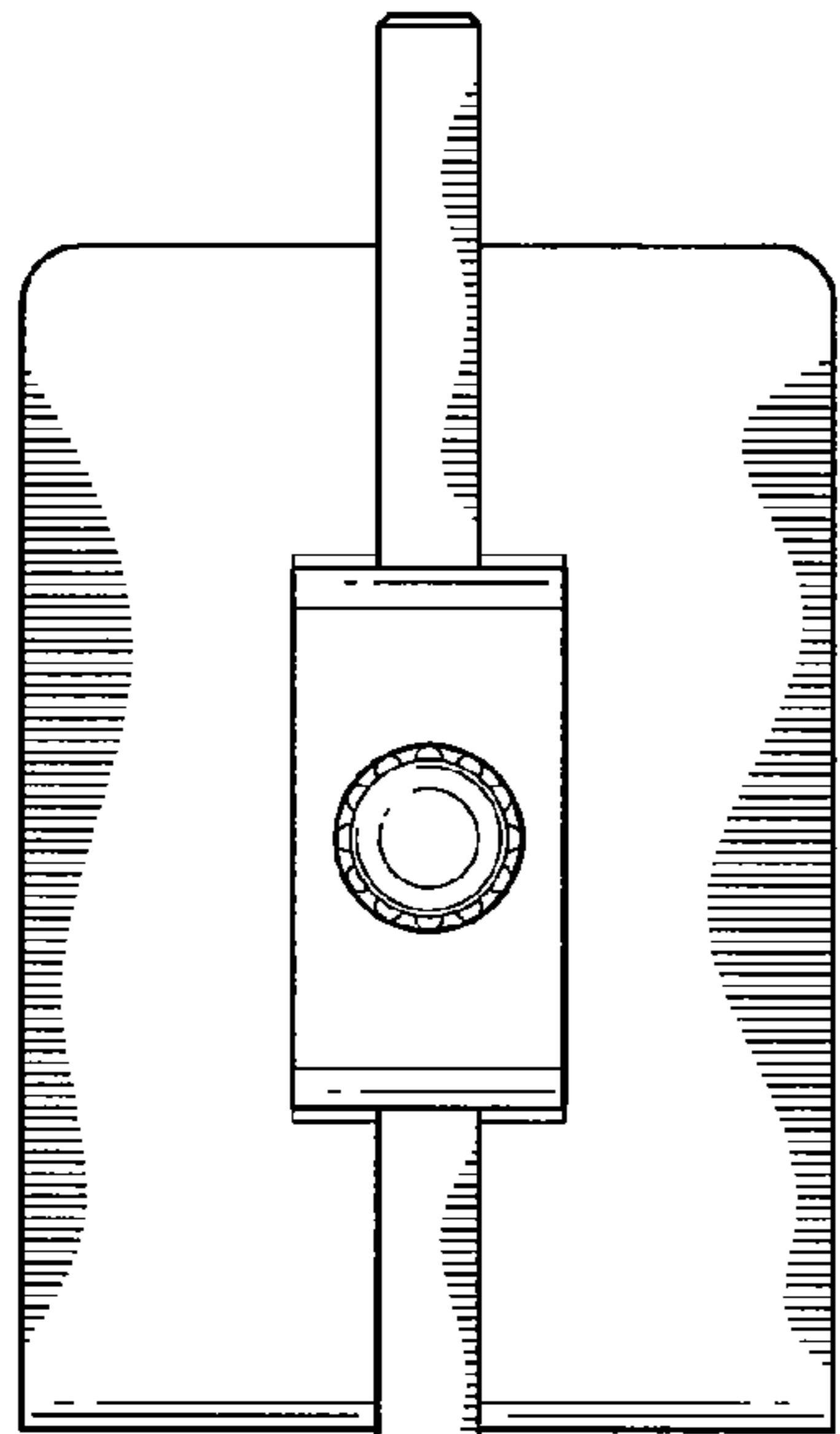


FIG. 14

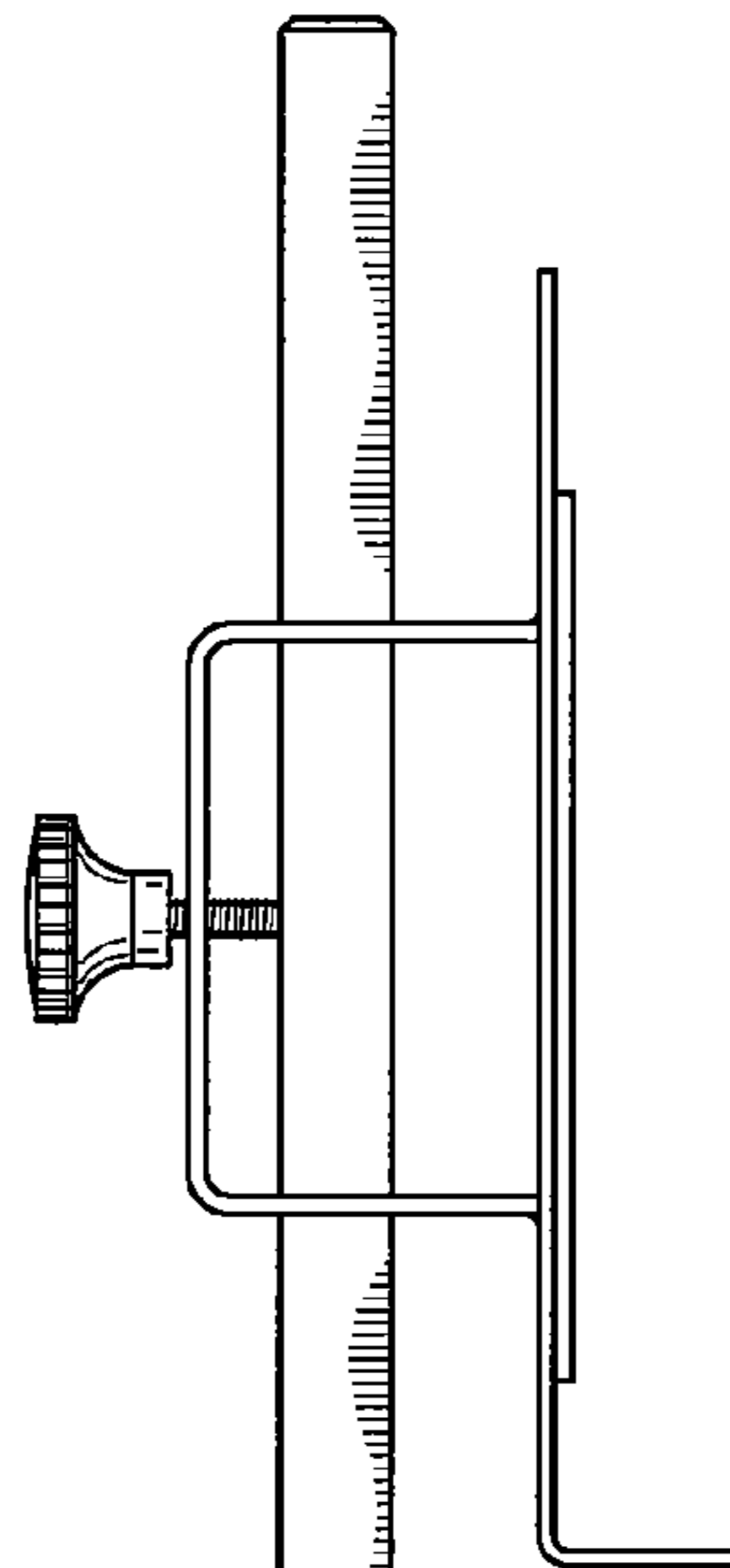
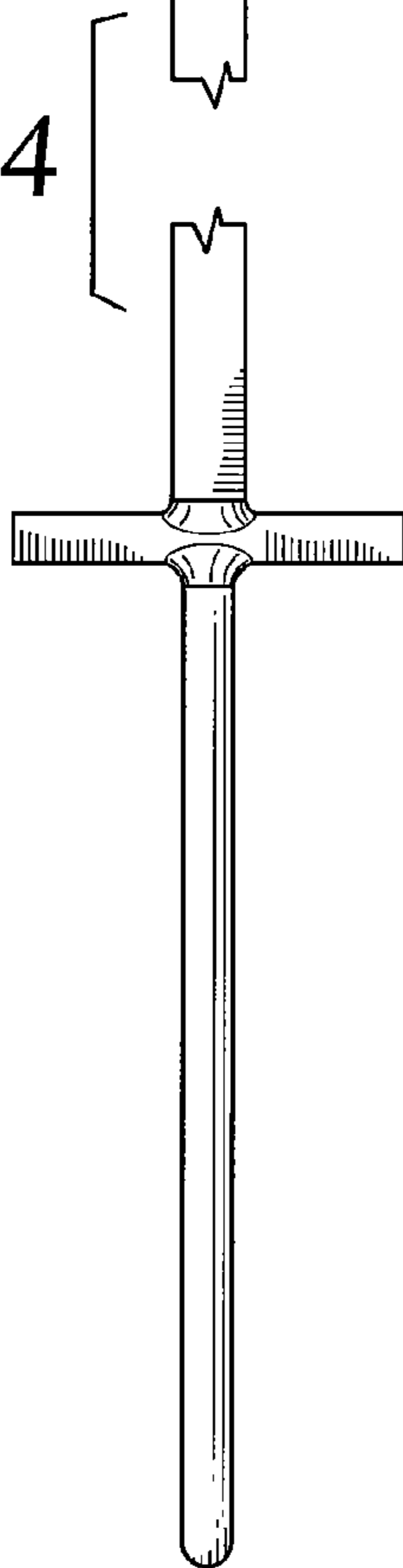


FIG. 15

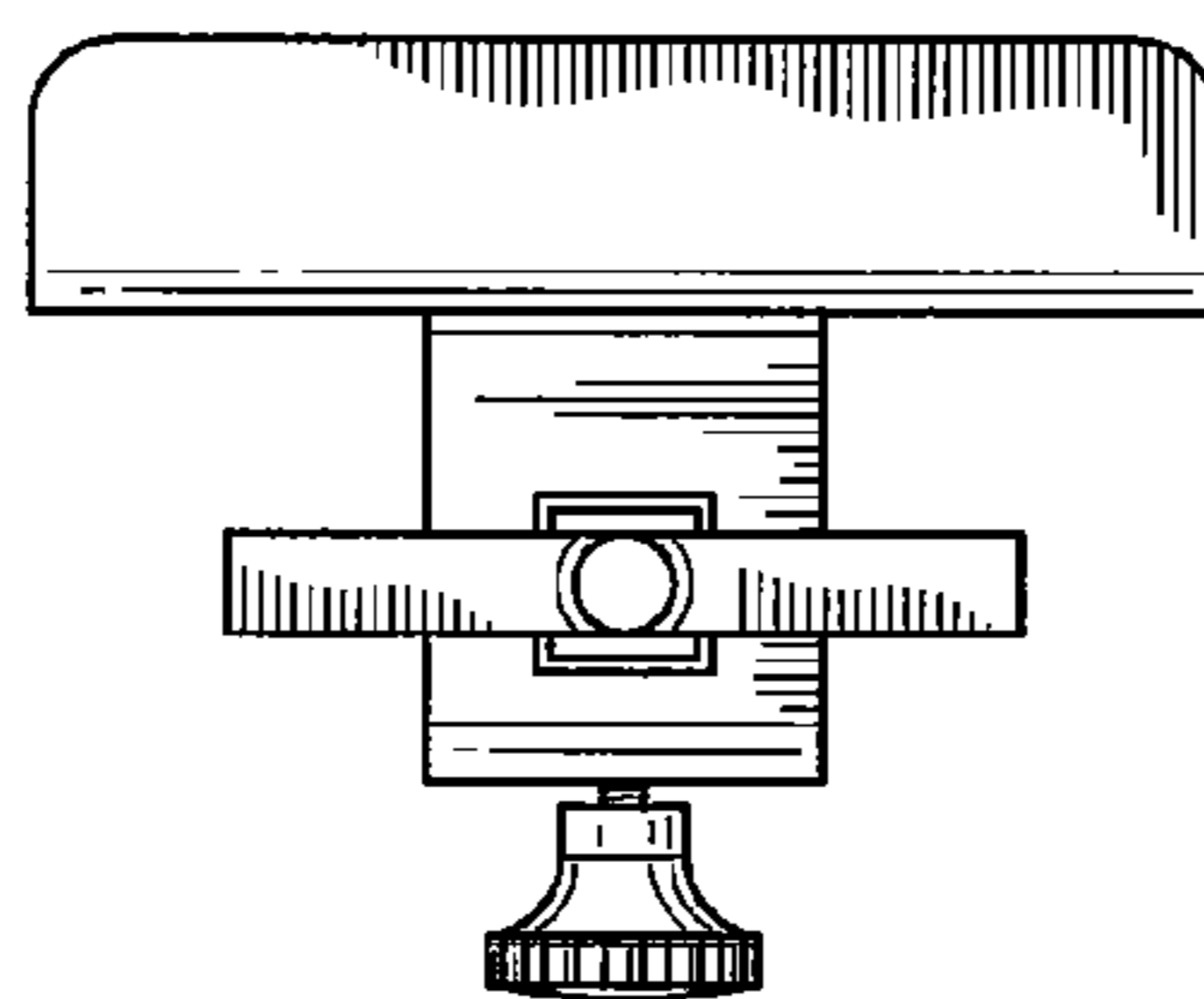


FIG. 16