



US00D552657S

(12) **United States Design Patent**  
**Oota**

(10) **Patent No.:** **US D552,657 S**  
(45) **Date of Patent:** **\*\* Oct. 9, 2007**

(54) **PROJECTOR**

D498,490 S \* 11/2004 Kawasaki et al. .... D16/231  
D502,486 S \* 3/2005 Kawasaki et al. .... D16/230  
D522,037 S \* 5/2006 Inoue et al. .... D16/230

(75) Inventor: **Kiyoshi Oota**, Tokyo (JP)

(73) Assignee: **Sony Corporation**, Tokyo (JP)

(\*\*) Term: **14 Years**

(21) Appl. No.: **29/268,073**

(22) Filed: **Oct. 30, 2006**

(30) **Foreign Application Priority Data**

Aug. 7, 2006 (JP) ..... D2006-020816

(51) **LOC (8) Cl.** ..... **16-02**

(52) **U.S. Cl.** ..... **D16/230; D16/225**

(58) **Field of Classification Search** ..... D16/205-206,  
D16/208, 213, 221, 225, 230, 231, 234, 235,  
D16/232; D21/514; 353/115, 119, 122,  
353/39, 52; 352/34, 242; 349/5, 7, 8, 9,  
349/58

See application file for complete search history.

(56) **References Cited**

**U.S. PATENT DOCUMENTS**

D391,940 S \* 3/1998 Sakata ..... D16/213  
D414,794 S 10/1999 Isono  
D439,923 S \* 4/2001 Kawamoto ..... D16/231  
D450,077 S 11/2001 Isono  
D457,179 S \* 5/2002 Saeki et al. .... D16/230  
D476,353 S \* 6/2003 Morishita et al. .... D16/231  
D479,551 S \* 9/2003 Min et al. .... D16/230  
D492,339 S 6/2004 Niitsu

**FOREIGN PATENT DOCUMENTS**

JP D1273231 S 6/2006

**OTHER PUBLICATIONS**

U.S. Appl. No. 29/241,635, filed Oct. 31, 2005.

\* cited by examiner

*Primary Examiner*—Charles A. Rademaker

*Assistant Examiner*—Wan Laymon

(74) *Attorney, Agent, or Firm*—Rader, Fishman & Grauer  
PLLC

(57) **CLAIM**

The ornamental design for a projector, as shown.

**DESCRIPTION**

FIG. 1 is a perspective view of a projector showing my new design;

FIG. 2 is a front elevational view thereof;

FIG. 3 is a rear elevational view thereof;

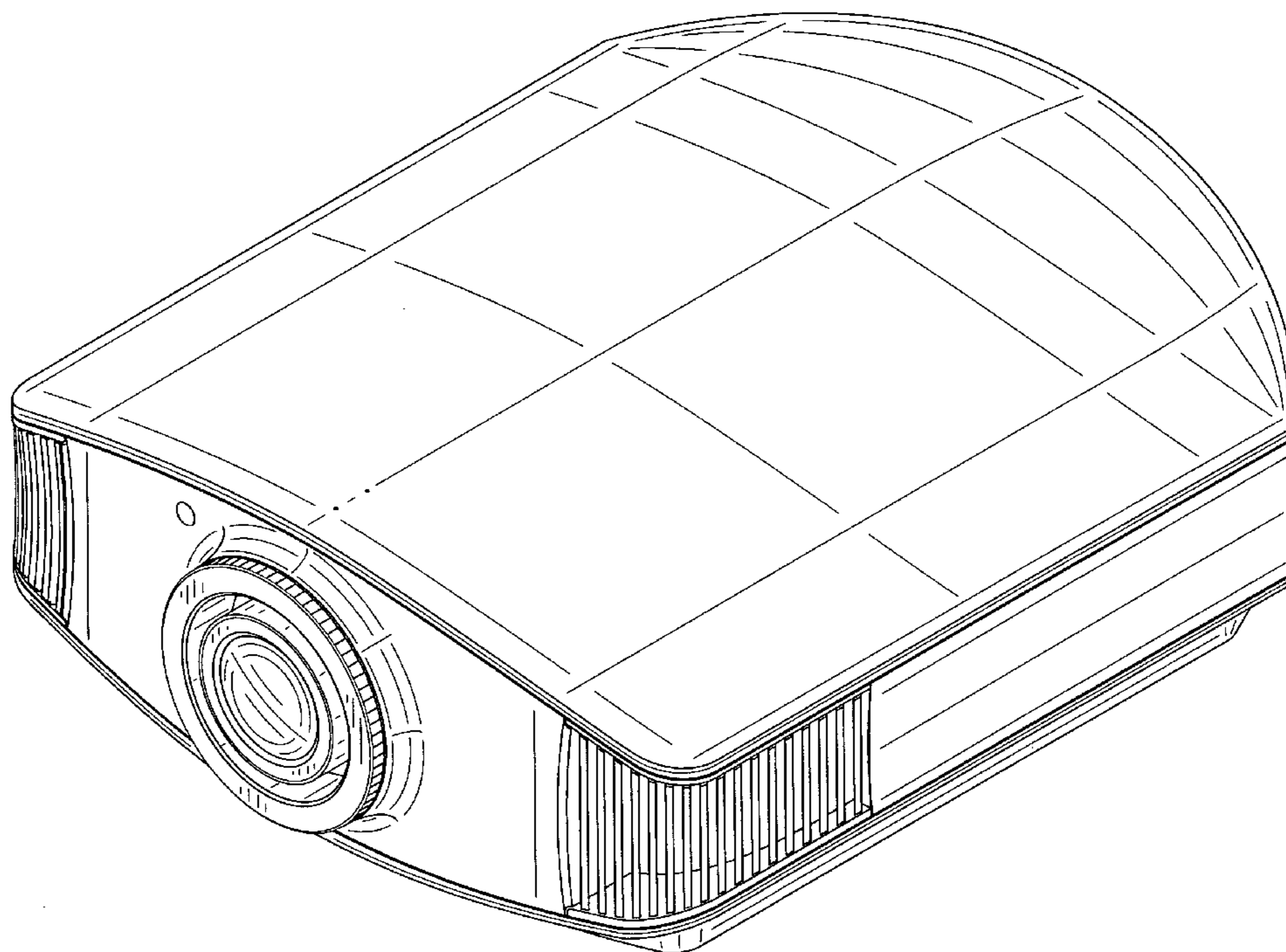
FIG. 4 is a left side elevational view thereof;

FIG. 5 is a right side elevational view thereof;

FIG. 6 is a top plan view thereof; and,

FIG. 7 is a bottom plan view thereof.

**1 Claim, 7 Drawing Sheets**



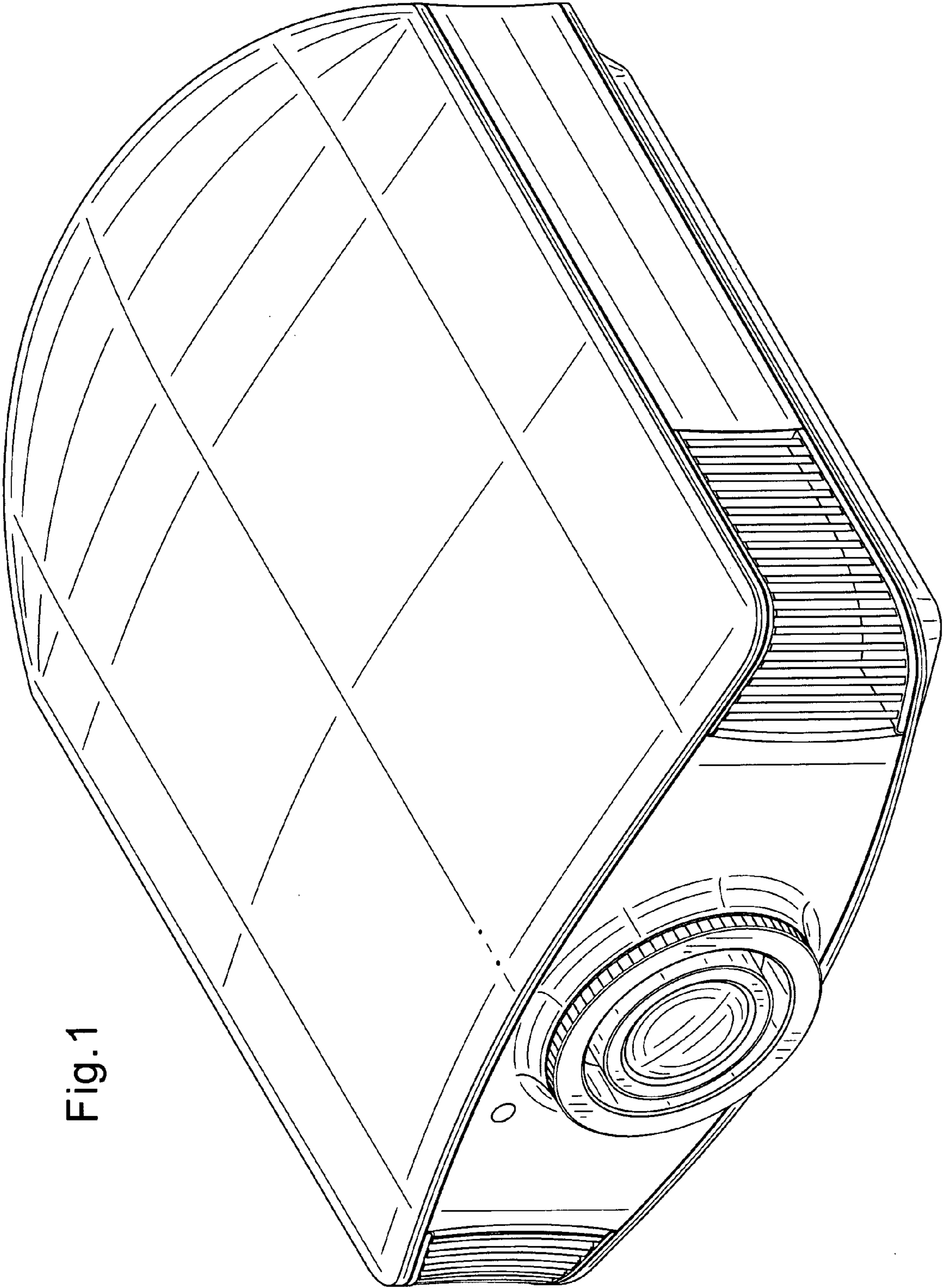


Fig. 1

Fig.2

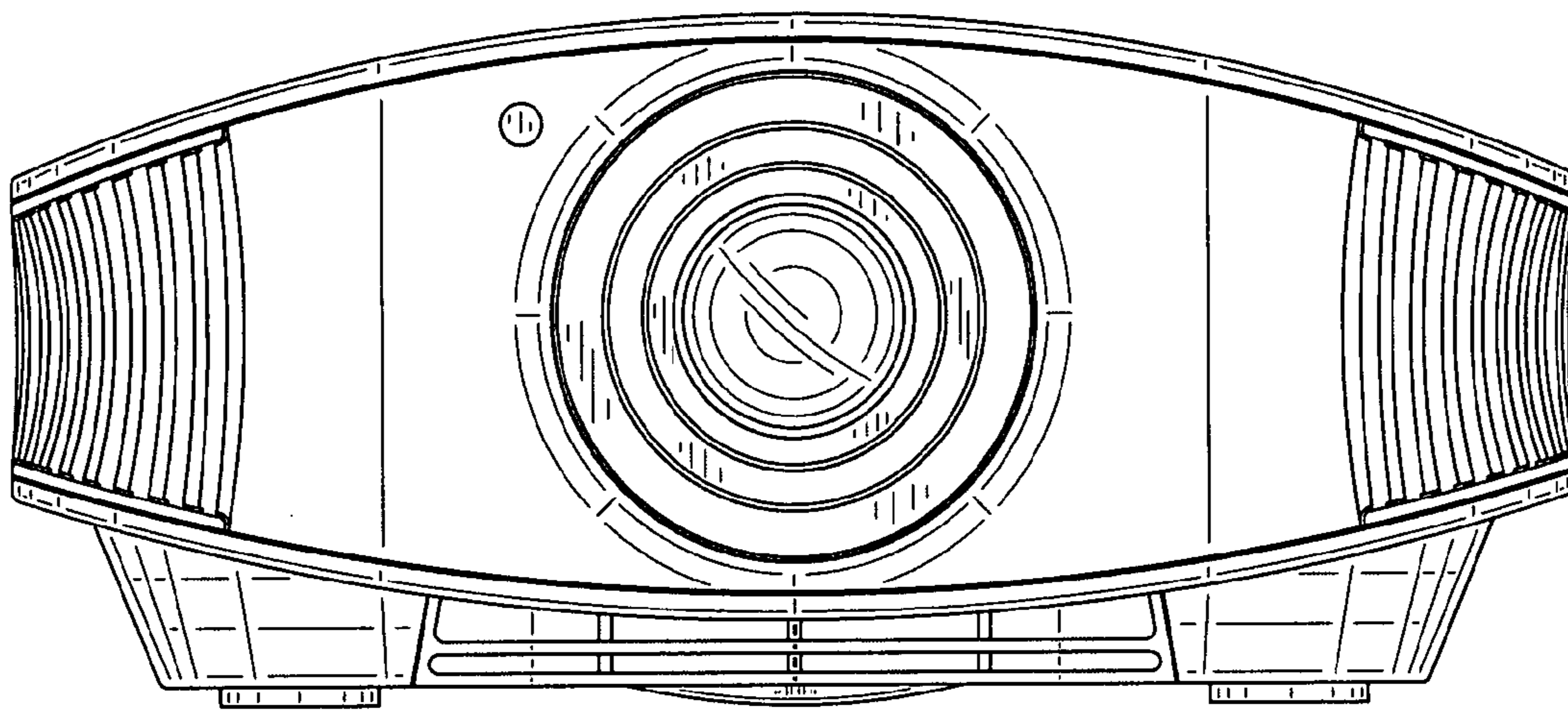


Fig.3

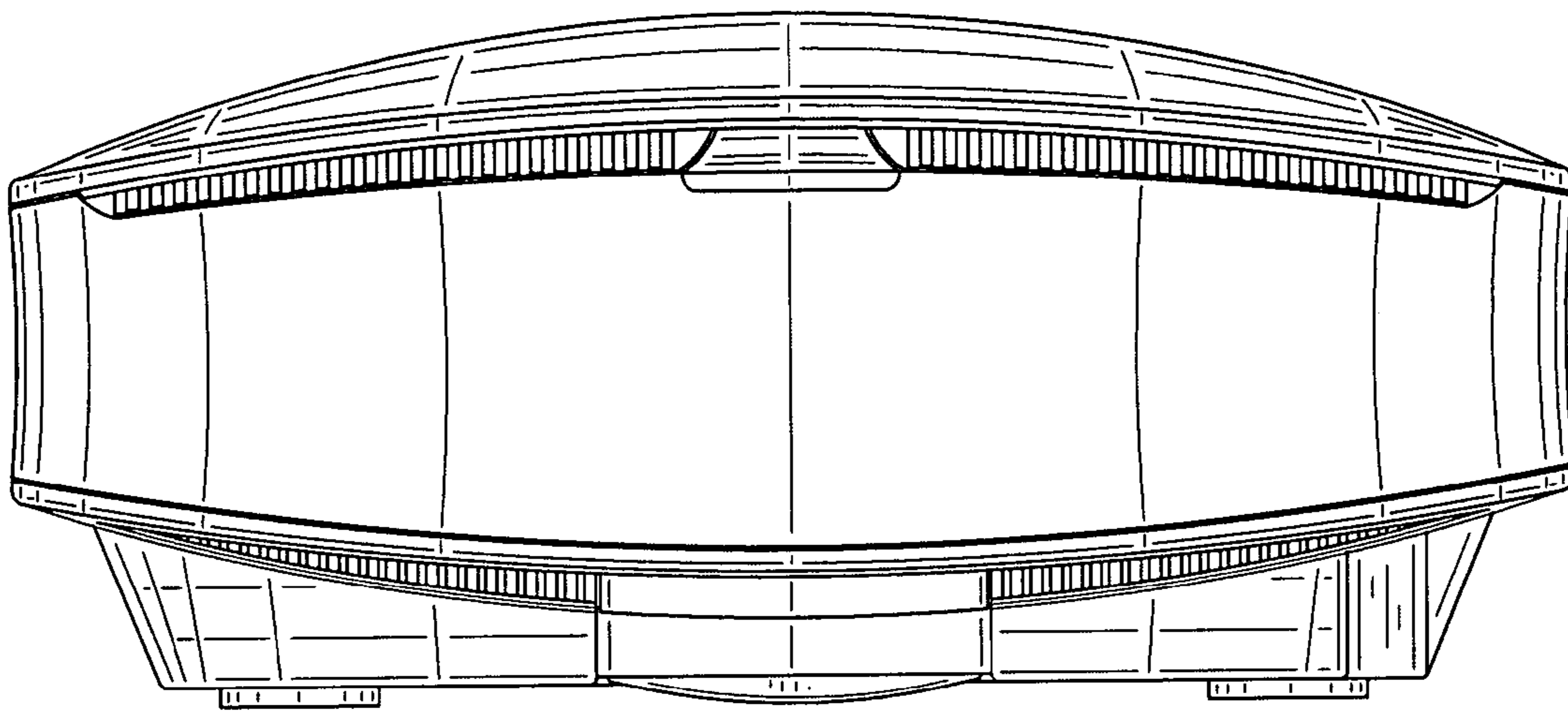


Fig.4

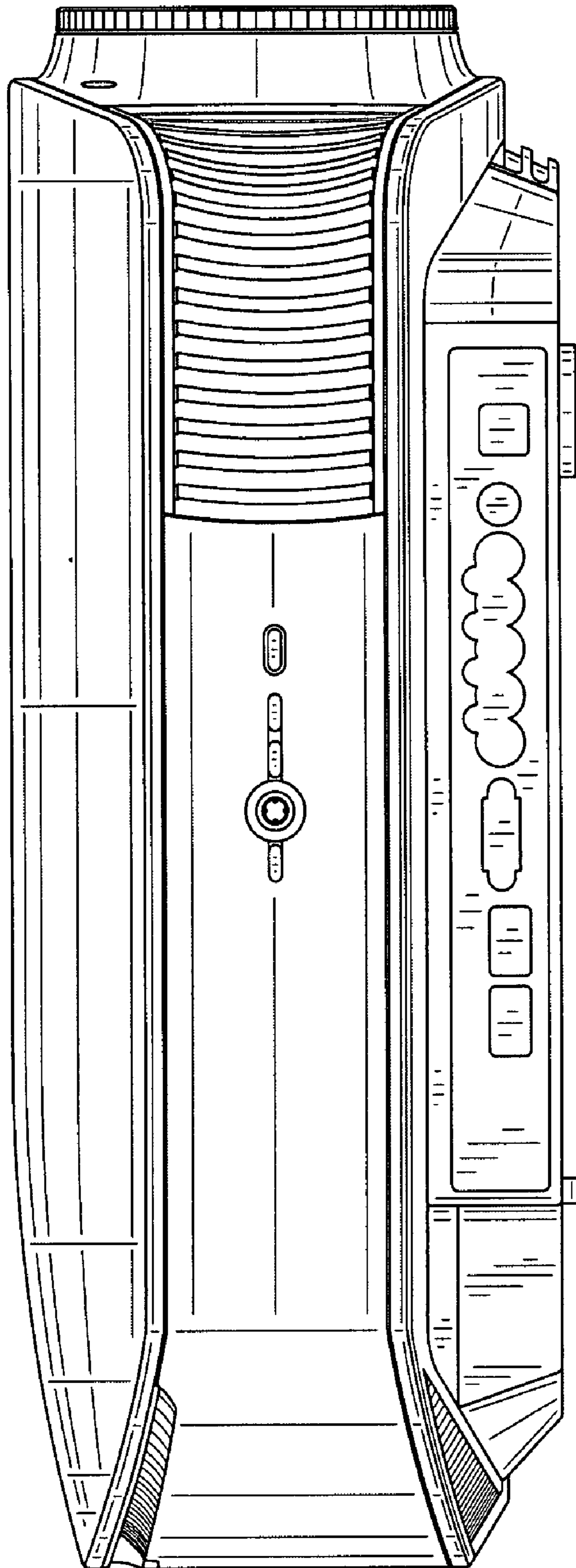


Fig. 5

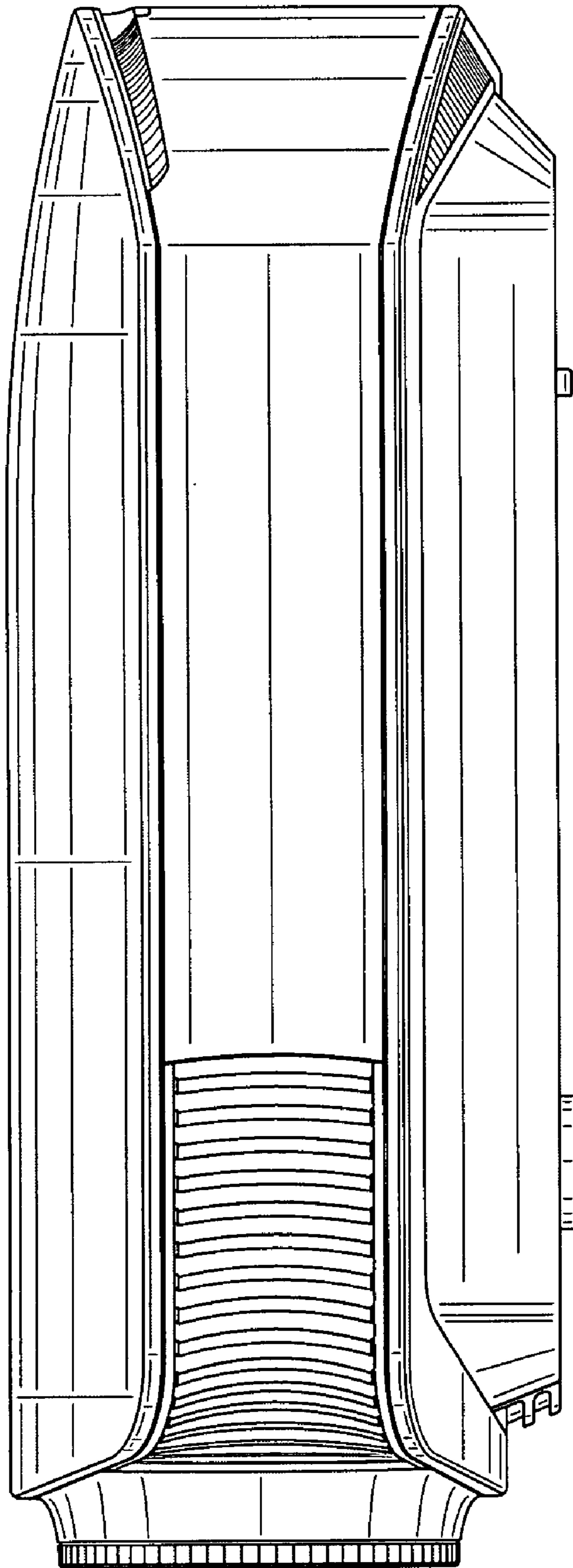


Fig.6

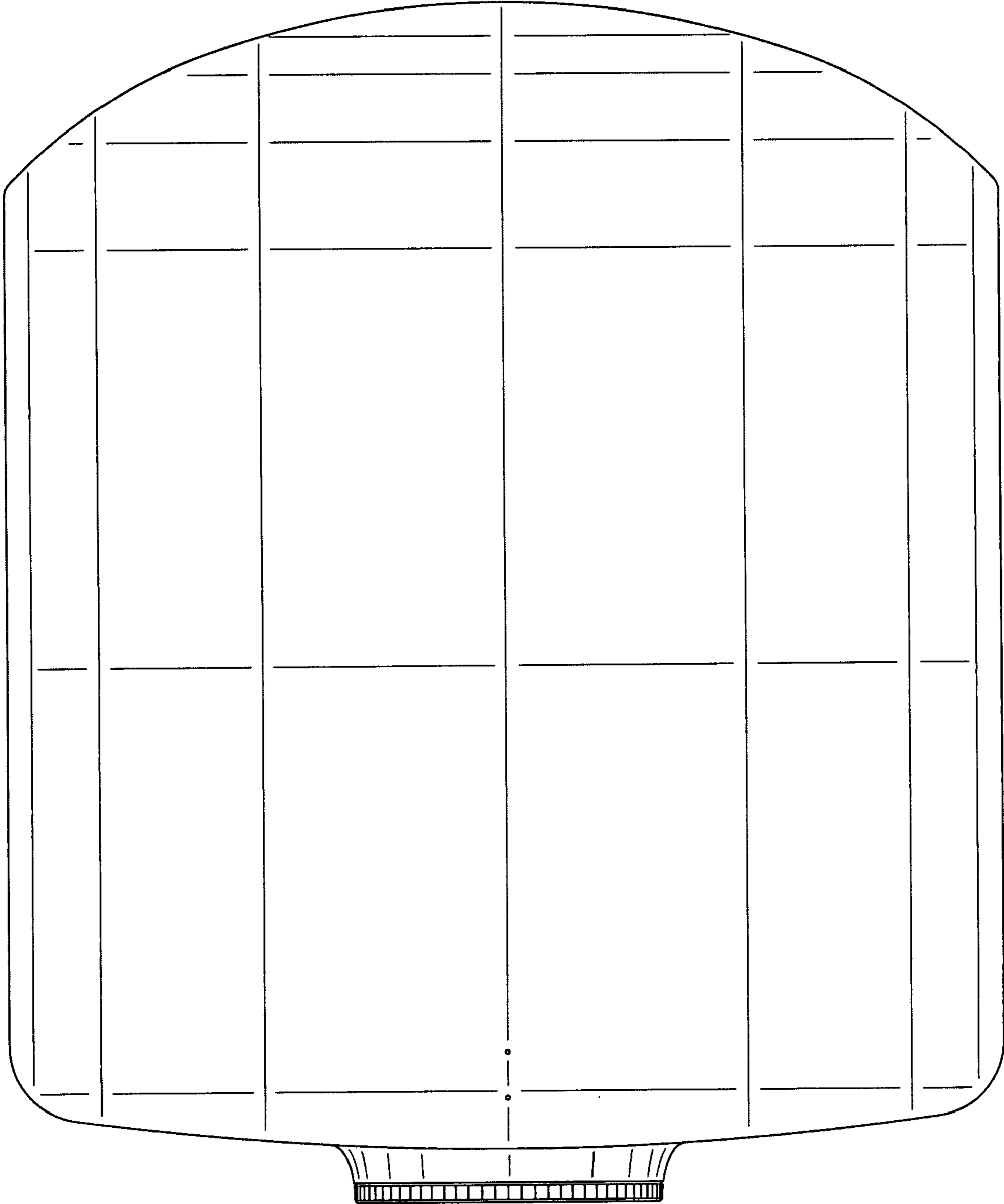


Fig.7

