



US00D552656S

(12) **United States Design Patent**
Oota et al.

(10) **Patent No.:** **US D552,656 S**

(45) **Date of Patent:** **** Oct. 9, 2007**

(54) **PROJECTOR**

2002/0048001 A1* 4/2002 Fujimori 353/119

(75) Inventors: **Yukihiko Oota**, Tokyo (JP); **Junsi Lee**,
Tokyo (JP); **Kosuke Ito**, Tokyo (JP);
Naoto Fukasawa, Tokyo (JP)

FOREIGN PATENT DOCUMENTS

(73) Assignee: **NEC Display Solutions, Ltd.**, Tokyo
(JP)

JP	1010459	3/1998
JP	1010484	3/1998
JP	1072526	3/2000
JP	1072527	3/2000
JP	1081587	5/2000
JP	1201237	2/2004
JP	1220158	9/2004
JP	1239431	3/2005
JP	1239447	3/2005
JP	2005-014263	5/2005
JP	2005-014274	5/2005
JP	2005-015361	5/2005

(**) Term: **14 Years**

(21) Appl. No.: **29/238,305**

(22) Filed: **Sep. 14, 2005**

(30) **Foreign Application Priority Data**

May 18, 2005 (JP) 2005-014275

* cited by examiner

Primary Examiner—Adir Aronovich

Assistant Examiner—Wan Laymon

(74) *Attorney, Agent, or Firm*—Seyfarth Shaw LLP

(51) **LOC (8) Cl.** **16-02**

(52) **U.S. Cl.** **D16/230; D16/225**

(58) **Field of Classification Search** D8/300,
D8/310, 370; D16/205, 208, 221, 225, 229,
D16/230, 231, 234, 235; D21/514; 352/34,
352/342; 353/39, 115, 119, 122

(57) **CLAIM**

The ornamental design for a projector, as shown and described.

See application file for complete search history.

DESCRIPTION

(56) **References Cited**

U.S. PATENT DOCUMENTS

D449,060 S *	10/2001	Saeki et al.	D16/230
D450,076 S *	11/2001	Fujimaki	D16/230
D464,074 S *	10/2002	Miyazaki	D16/230
D470,525 S *	2/2003	Nakayama et al.	D16/231
D472,570 S *	4/2003	Takahashi	D16/230
D474,799 S *	5/2003	Kawasaki et al.	D16/230
D475,389 S *	6/2003	Kurokawa	D16/230
D479,261 S *	9/2003	Kawasaki et al.	D16/230
6,616,282 B2 *	9/2003	Ozawa	353/119
6,793,346 B2 *	9/2004	Nakano et al.	353/119
D498,490 S *	11/2004	Kawasaki et al.	D16/231
D502,486 S *	3/2005	Kawasaki et al.	D16/230
D505,440 S *	5/2005	Kawasaki et al.	D16/231

FIG. 1 is a perspective view of a projector showing our new design.

FIG. 2 is a front elevational view thereof;

FIG. 3 is a rear elevational view thereof;

FIG. 4 is a left-side elevational view thereof;

FIG. 5 is a right-side elevational view thereof;

FIG. 6 is a top plan view thereof; and,

FIG. 7 is a bottom plan view thereof.

The broken lines in the FIG. 3 are for illustrative purposes only and form no part of the claimed design.

1 Claim, 4 Drawing Sheets

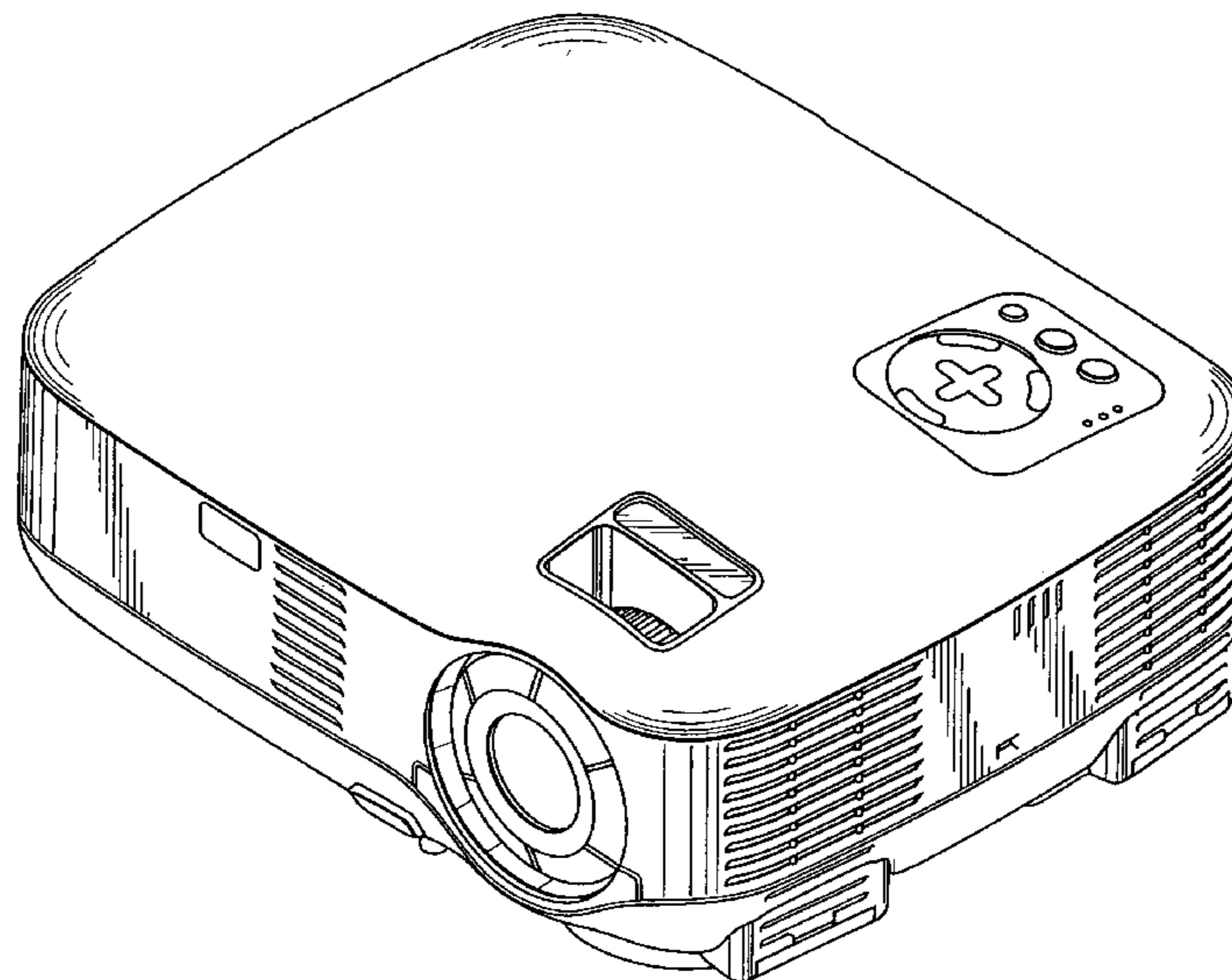


Fig. 1

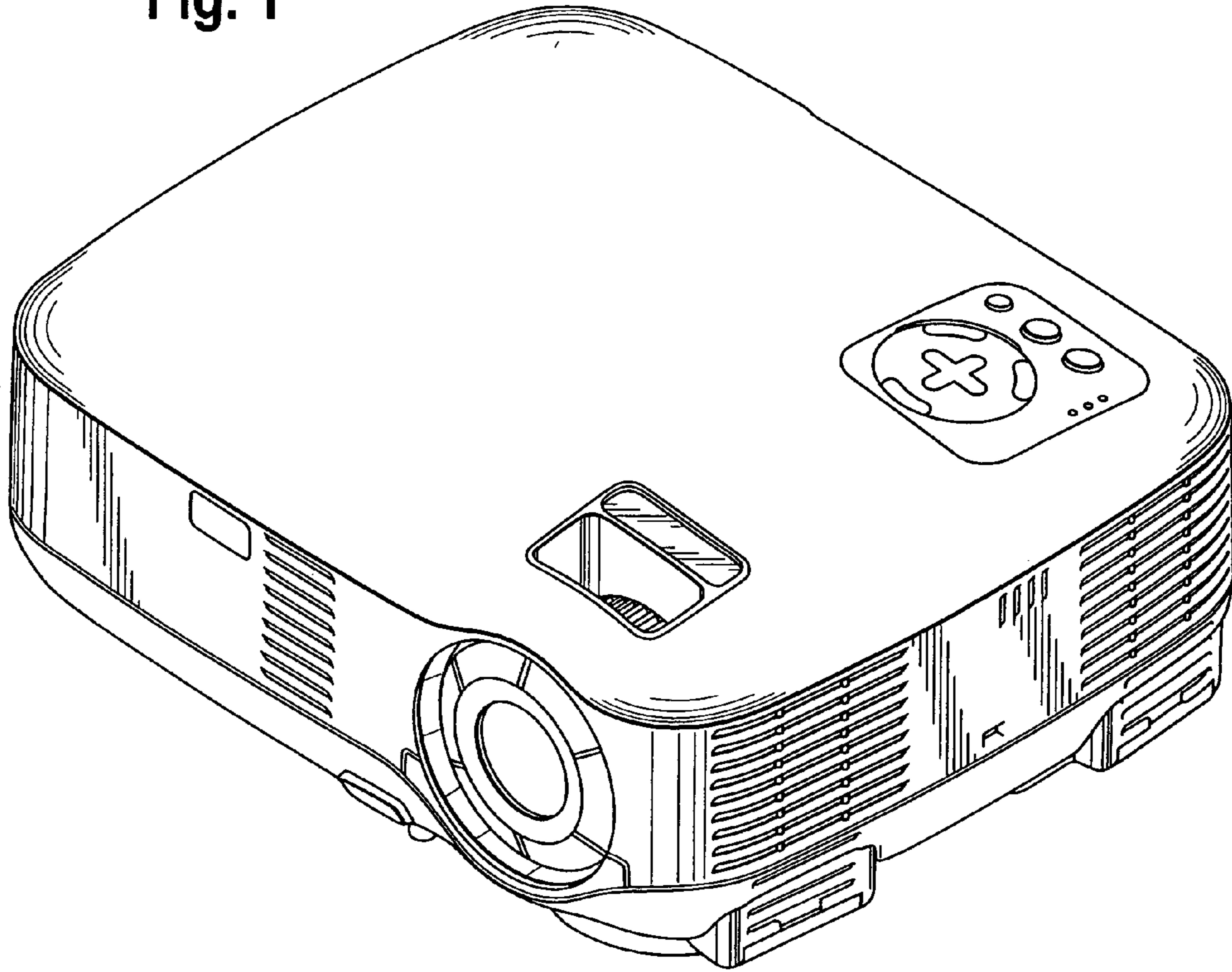


Fig. 2

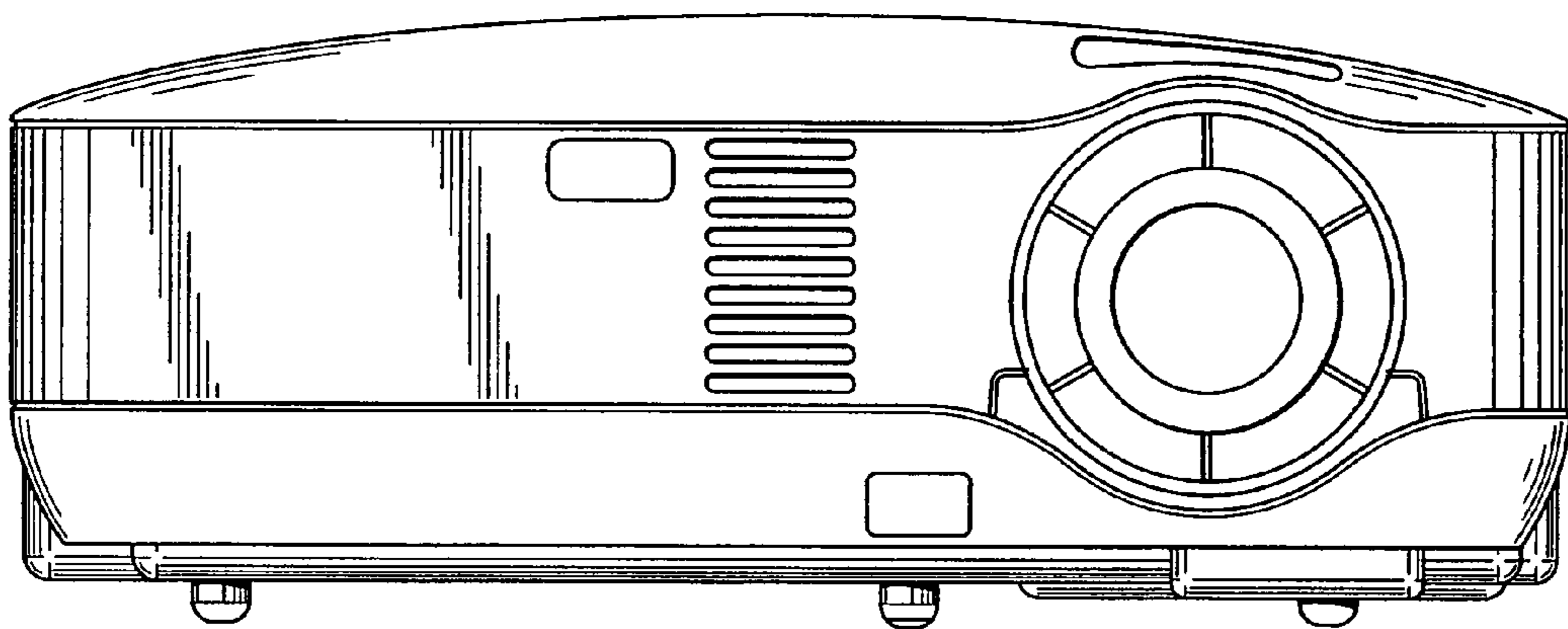


Fig. 3

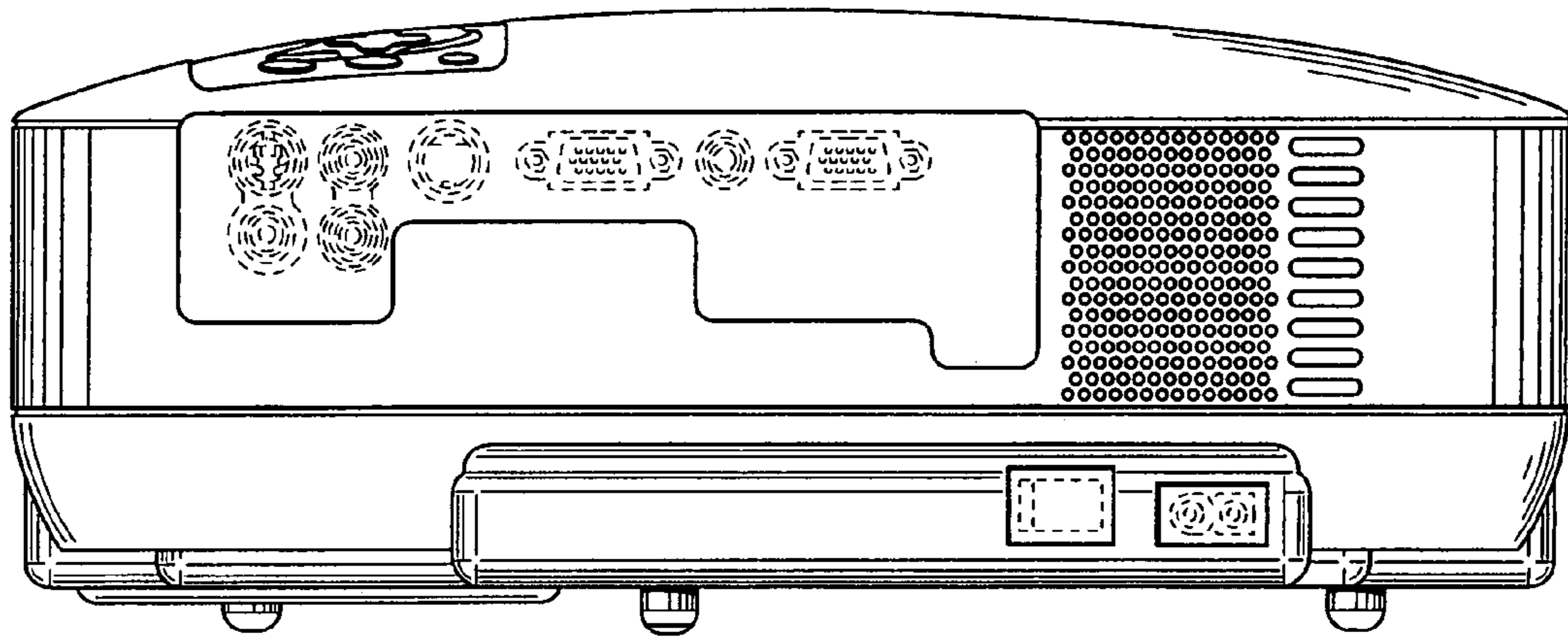


Fig. 4

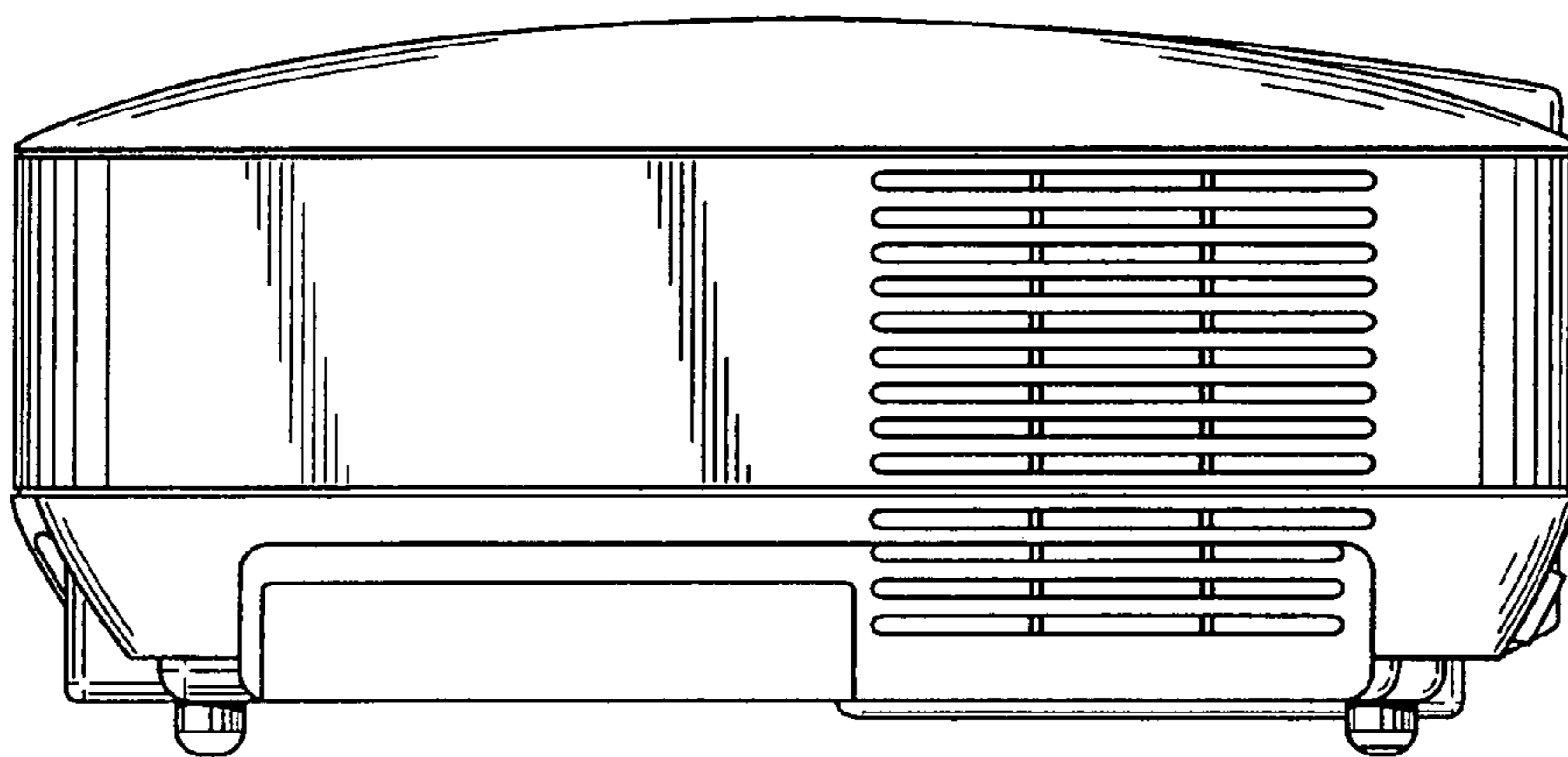


Fig. 5

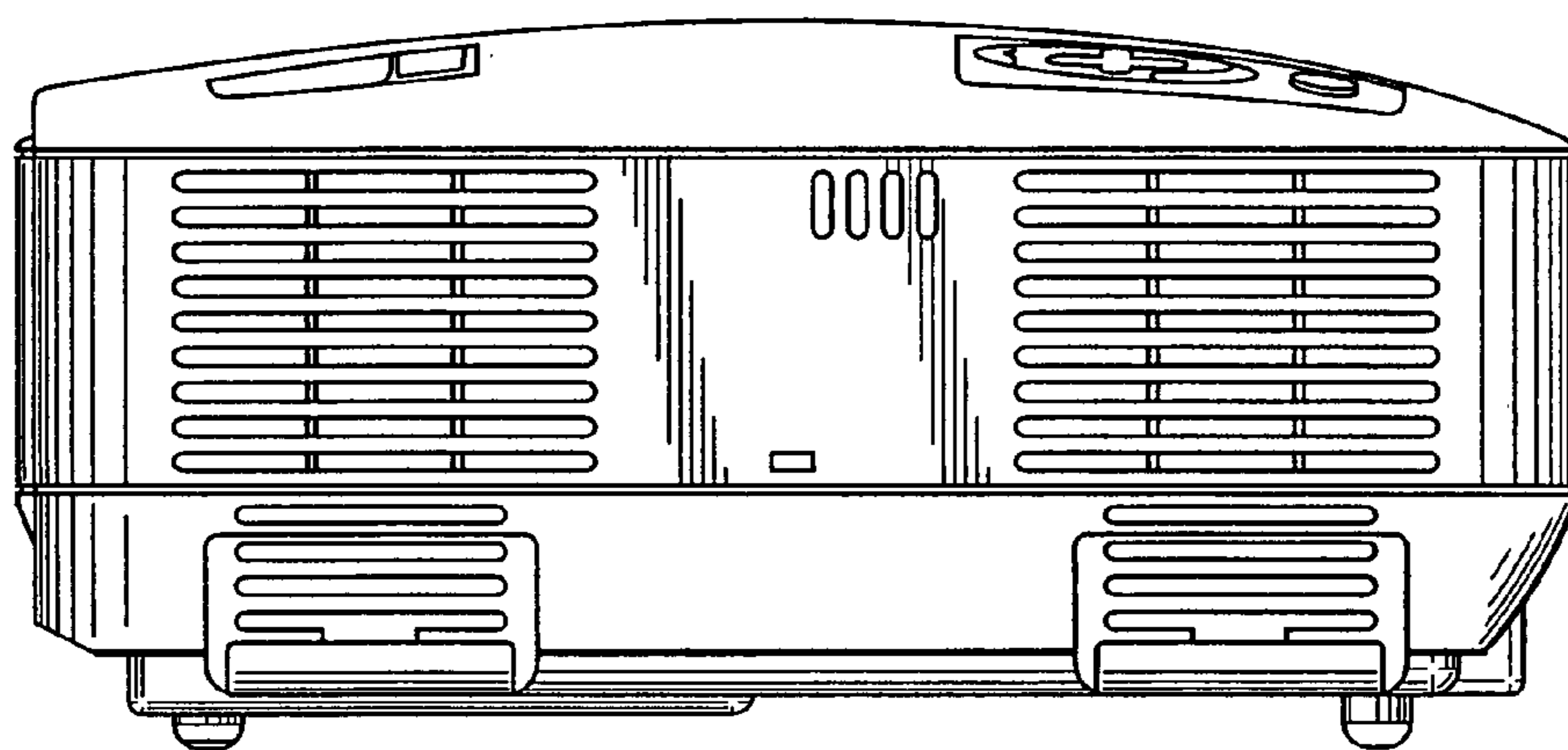


Fig. 6

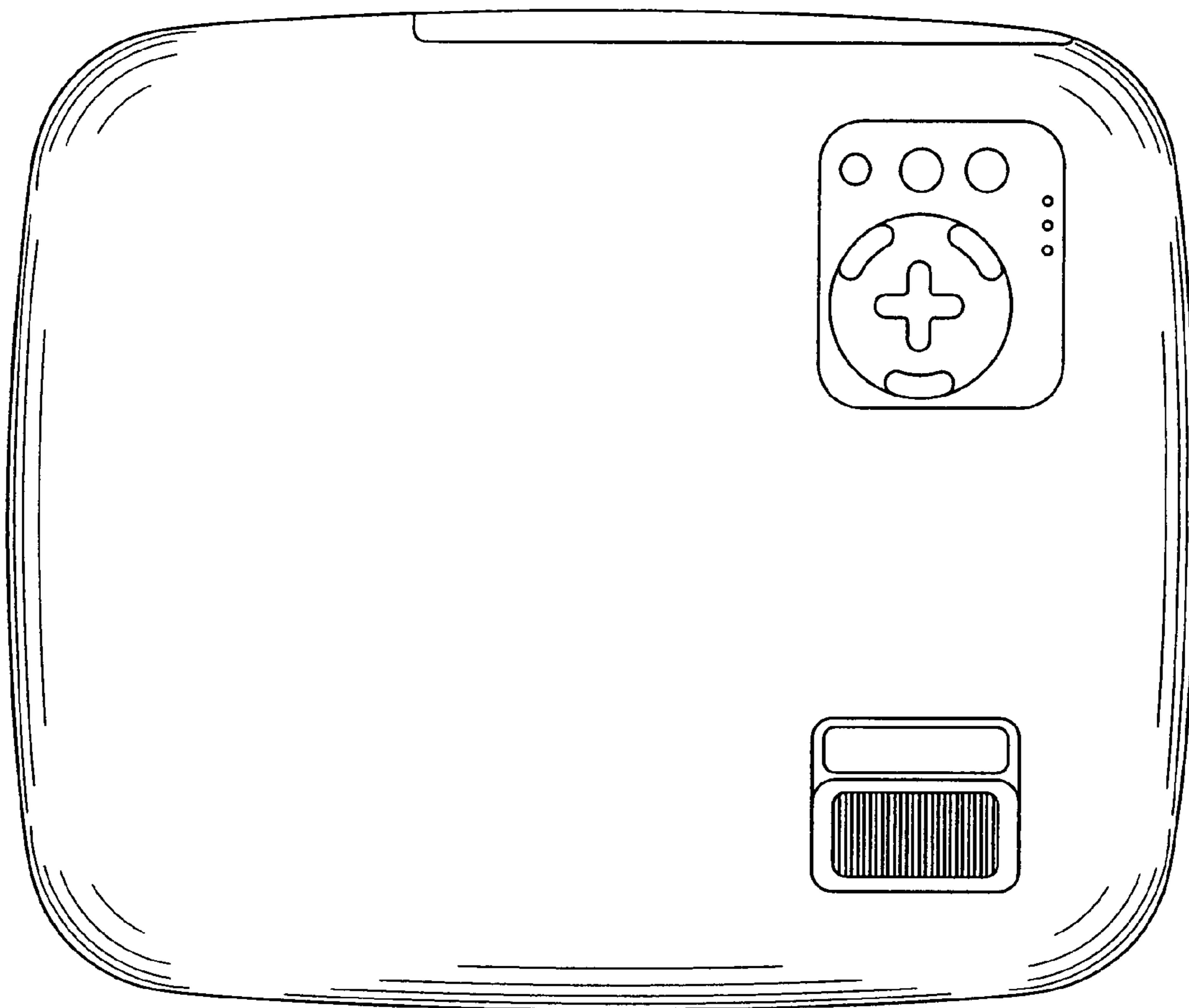


Fig. 7

