



US00D552655S

(12) **United States Design Patent**
Nishiwaki et al.

(10) **Patent No.:** **US D552,655 S**

(45) **Date of Patent:** **** Oct. 9, 2007**

(54) **VIDEO CAMERA WITH VIDEO TAPE RECORDER**

(75) Inventors: **Kenji Nishiwaki**, Ehime (JP);
Shigetada Ninomiya, Ehime (JP)

(73) Assignee: **Matsushita Electric Industrial Co., Ltd.**, Osaka (JP)

(**) Term: **14 Years**

(21) Appl. No.: **29/254,396**

(22) Filed: **Feb. 22, 2006**

(30) **Foreign Application Priority Data**

Oct. 28, 2005 (JP) 2005-031664

(51) **LOC (8) Cl.** **16-05**

(52) **U.S. Cl.** **D16/219**; D16/202

(58) **Field of Classification Search** D16/200–206,
D16/208, 218, 219; 348/373–376; 358/906,
358/909.1; 396/535–541

See application file for complete search history.

(56) **References Cited**

U.S. PATENT DOCUMENTS

D394,075 S	5/1998	Ninomiya et al.	
D406,157 S	2/1999	Goto	
D408,042 S	4/1999	Onoda et al.	
D408,043 S	4/1999	Goto et al.	
D408,428 S	4/1999	Ninomiya et al.	
D410,017 S	5/1999	Goto et al.	
D413,910 S	9/1999	Onoda et al.	
D413,911 S	9/1999	Goto et al.	
D418,852 S	1/2000	Onoda et al.	
D419,169 S	1/2000	Masano	
D450,741 S *	11/2001	Oka	D16/219
D469,793 S	2/2003	Onoda et al.	
D469,794 S	2/2003	Onoda et al.	
D490,456 S	5/2004	Masano et al.	
D491,967 S *	6/2004	Kojima et al.	D16/202

D507,290 S	7/2005	Nishiwaki	
D511,350 S *	11/2005	Sumita	D16/202
D516,600 S *	3/2006	Tsuchiya	D16/202
D521,041 S *	5/2006	Chung et al.	D16/202
D532,805 S *	11/2006	Masano et al.	D16/202
2005/0140823 A1 *	6/2005	Ishikuro	348/375

FOREIGN PATENT DOCUMENTS

JP	D1098408	1/2001
JP	D1148210	7/2002
JP	D1149265	8/2002

(Continued)

Primary Examiner—Adir Aronovich

(74) *Attorney, Agent, or Firm*—Brinks Hofer Gilson & Lione

(57) **CLAIM**

We claim the ornamental design for a video camera with video tape recorder, as shown and described.

DESCRIPTION

FIG. 1 is a front, top and right side perspective view of a video camera with video tape recorder of the present invention;

FIG. 2 is a rear, top and left side perspective view thereof;

FIG. 3 is a front view thereof;

FIG. 4 is a right side view thereof;

FIG. 5 is a rear view thereof;

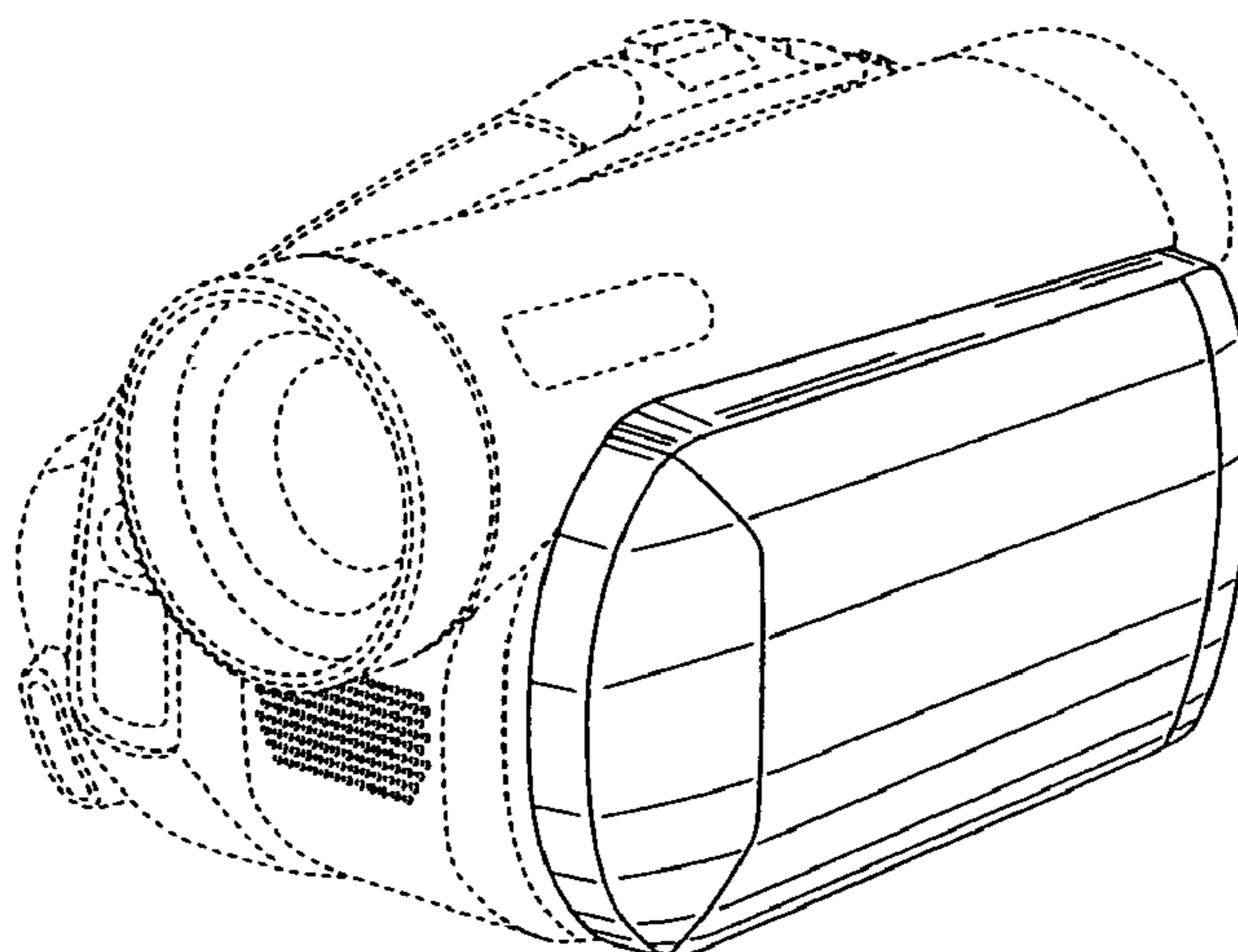
FIG. 6 is a left side view thereof.

FIG. 7 is a top view thereof; and,

FIG. 8 is a bottom view thereof.

The ornamental design which is claimed is shown in solid lines in the drawings. Any broken lines in the drawings are for illustrative purposes only and form no part of the claimed design.

1 Claim, 4 Drawing Sheets



US D552,655 S

Page 2

FOREIGN PATENT DOCUMENTS					
			JP	D1214068	8/2004
			JP	D1214069	8/2004
			JP	D1214081	8/2004
			JP	D1222710	11/2004
			JP	D1249190	8/2005
			JP	D1249202	8/2005
JP	D1182522	8/2003			
JP	D1182523	8/2003			
JP	D1182530	8/2003			
JP	D1182689	8/2003			
JP	D1192950	12/2003			
JP	D1196437	2/2004			
JP	D1214067	8/2004			

* cited by examiner

Fig. 1

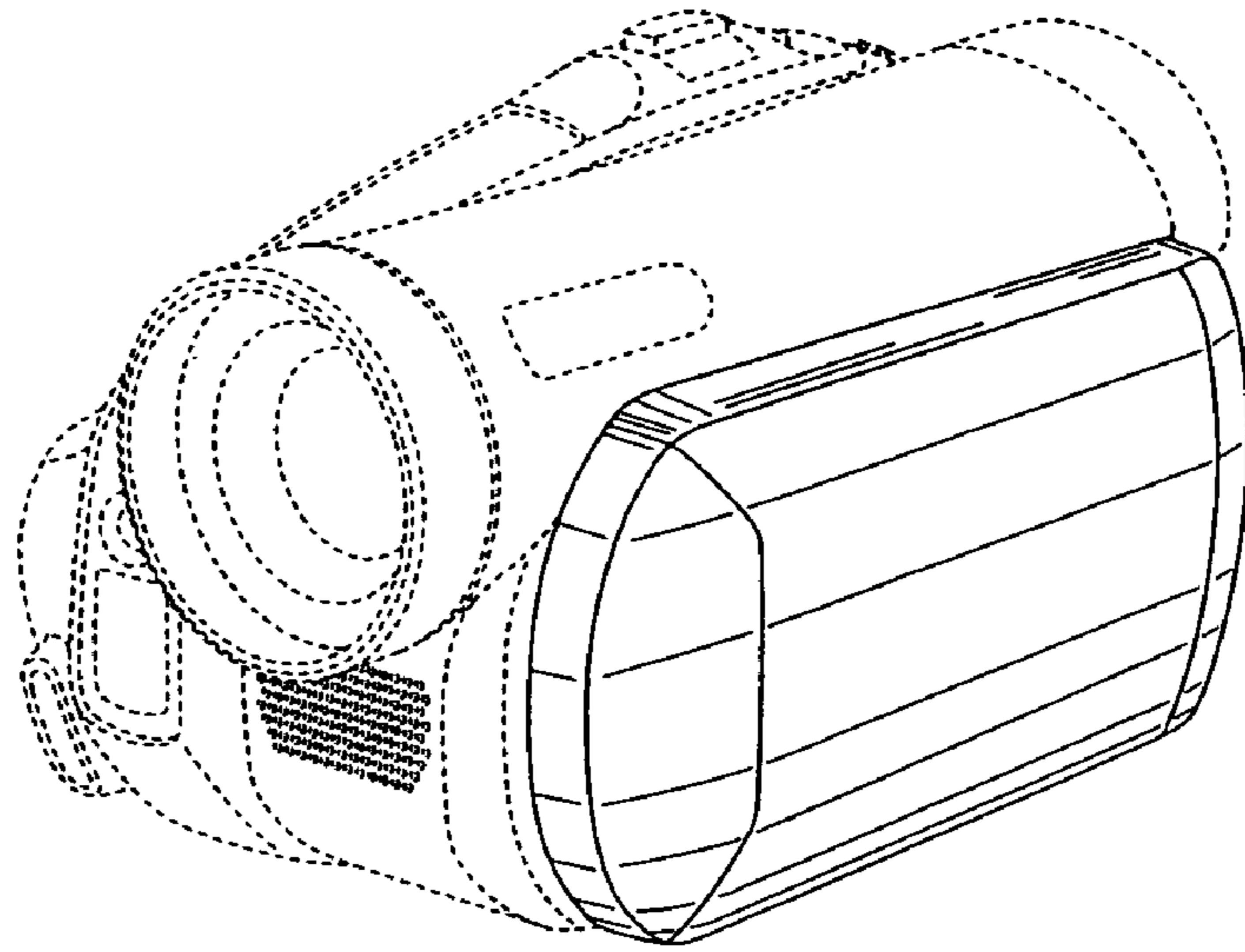


Fig. 2

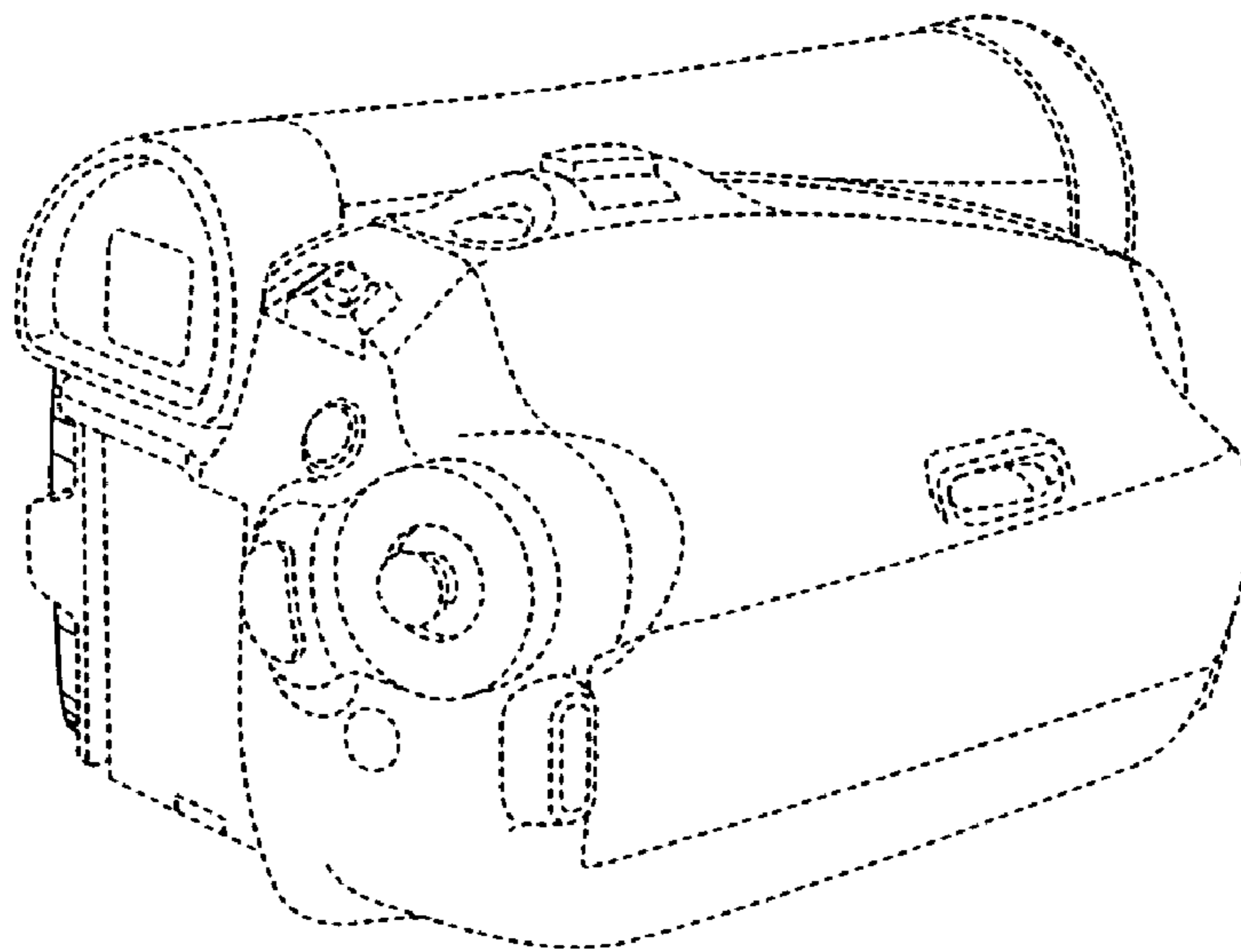


Fig.3

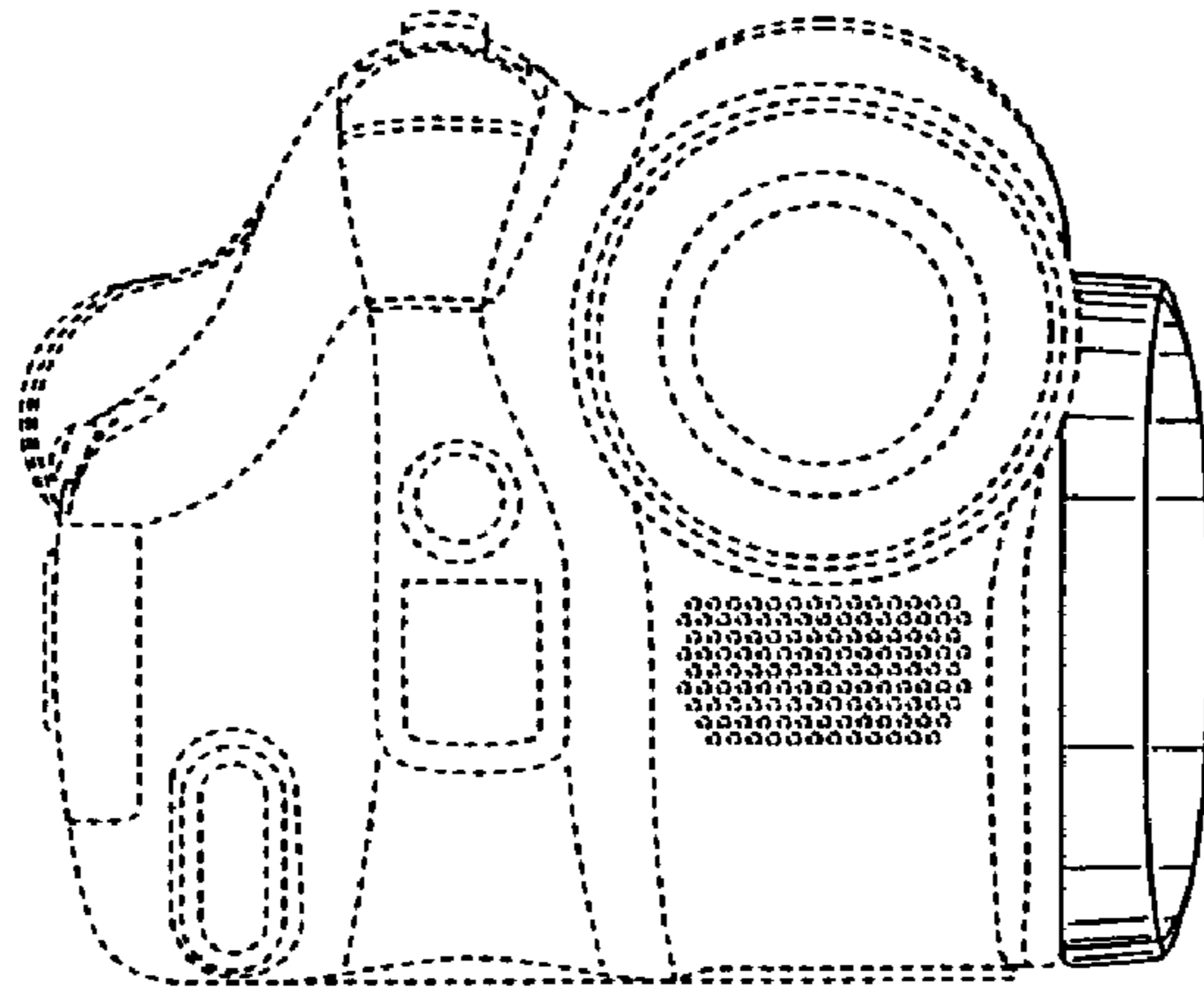


Fig.4

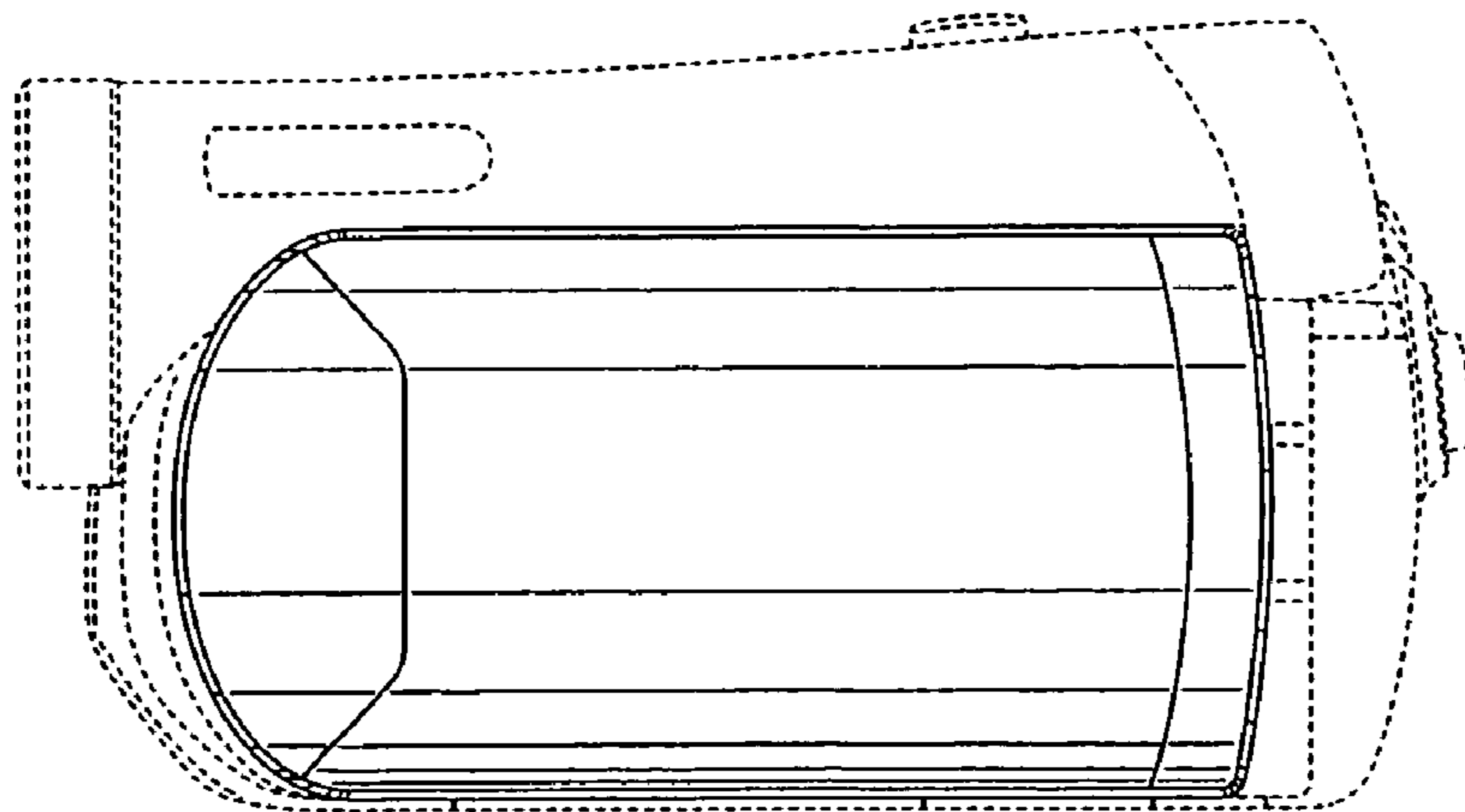


Fig.5

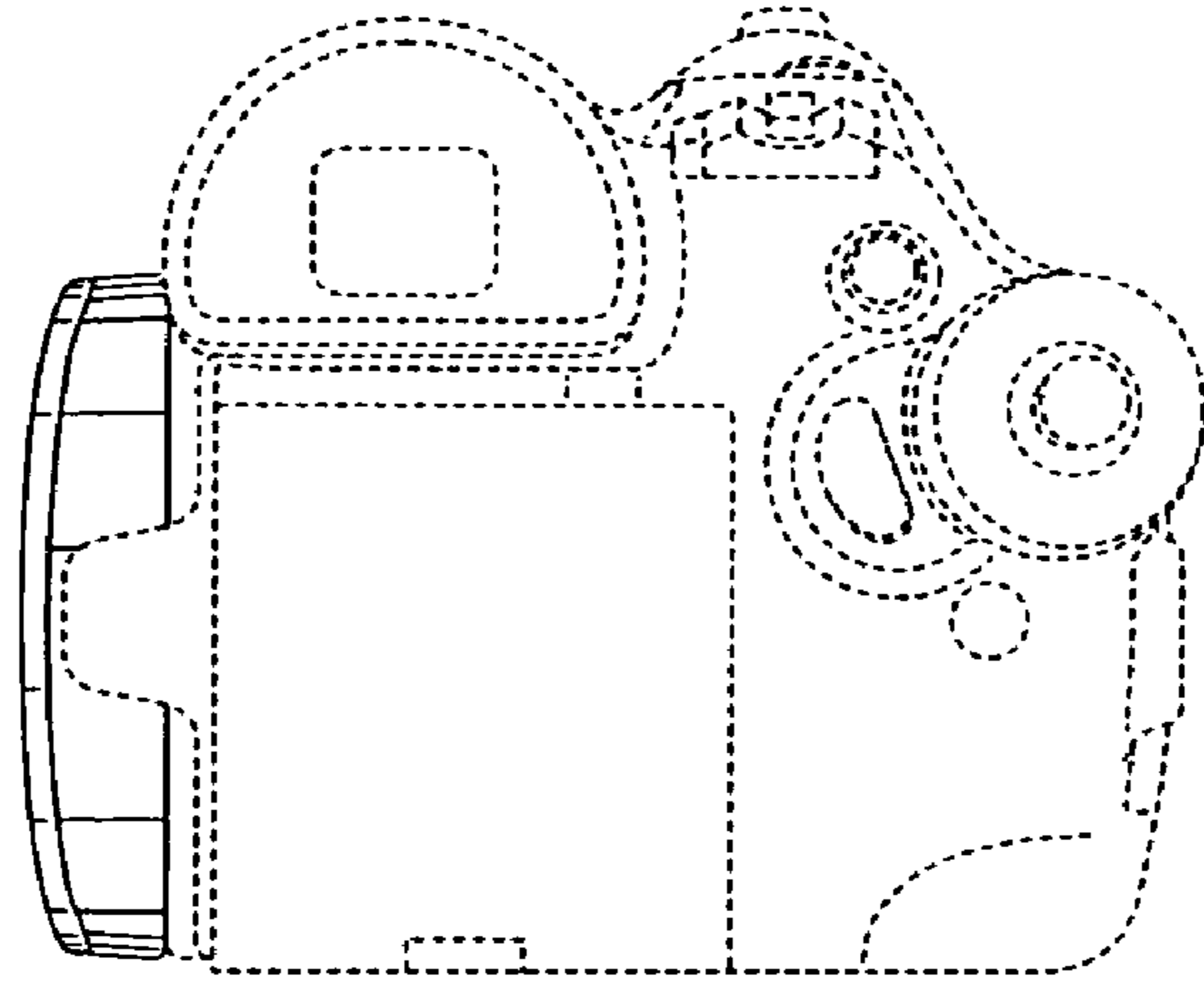


Fig.6

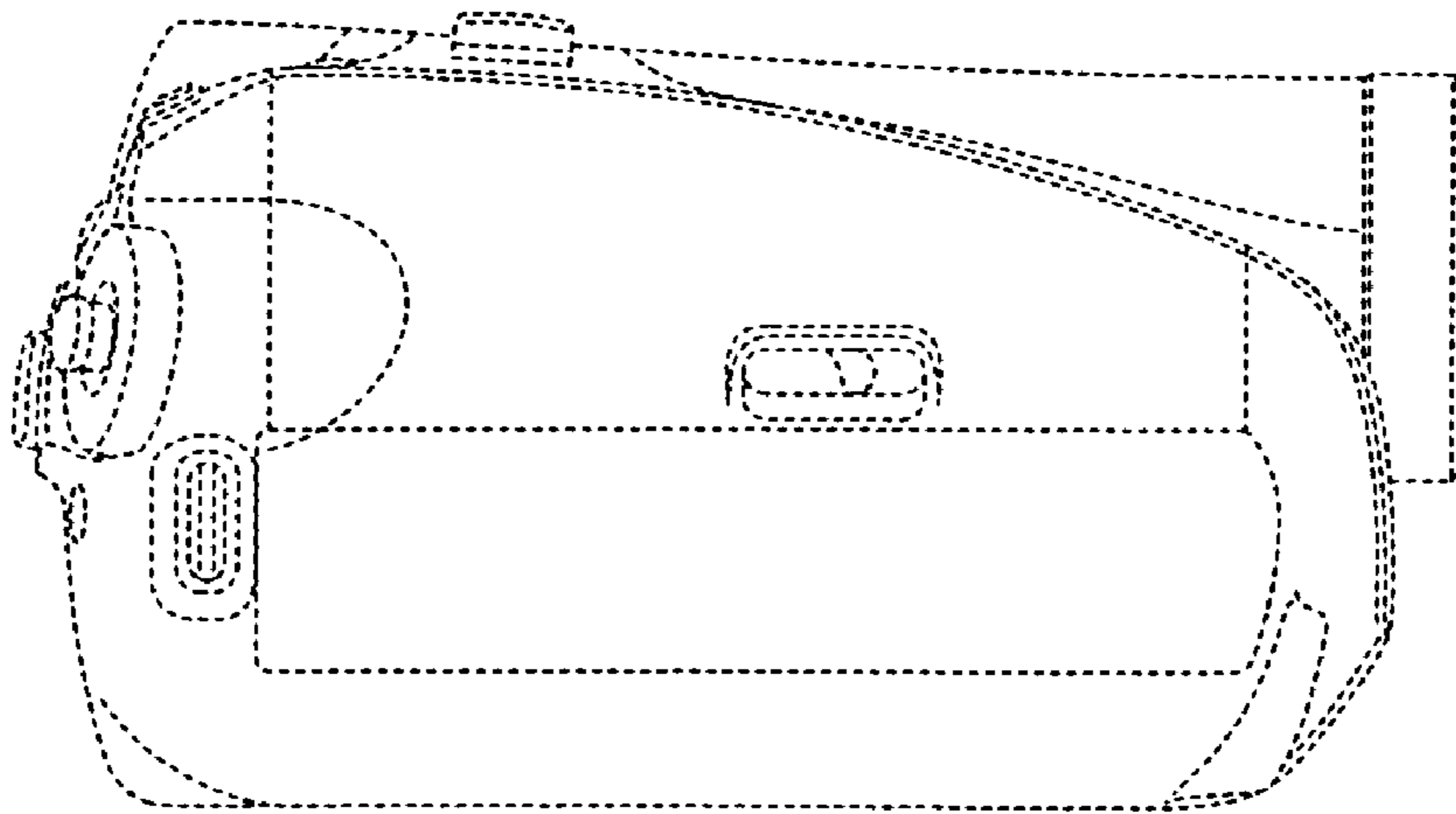


Fig7

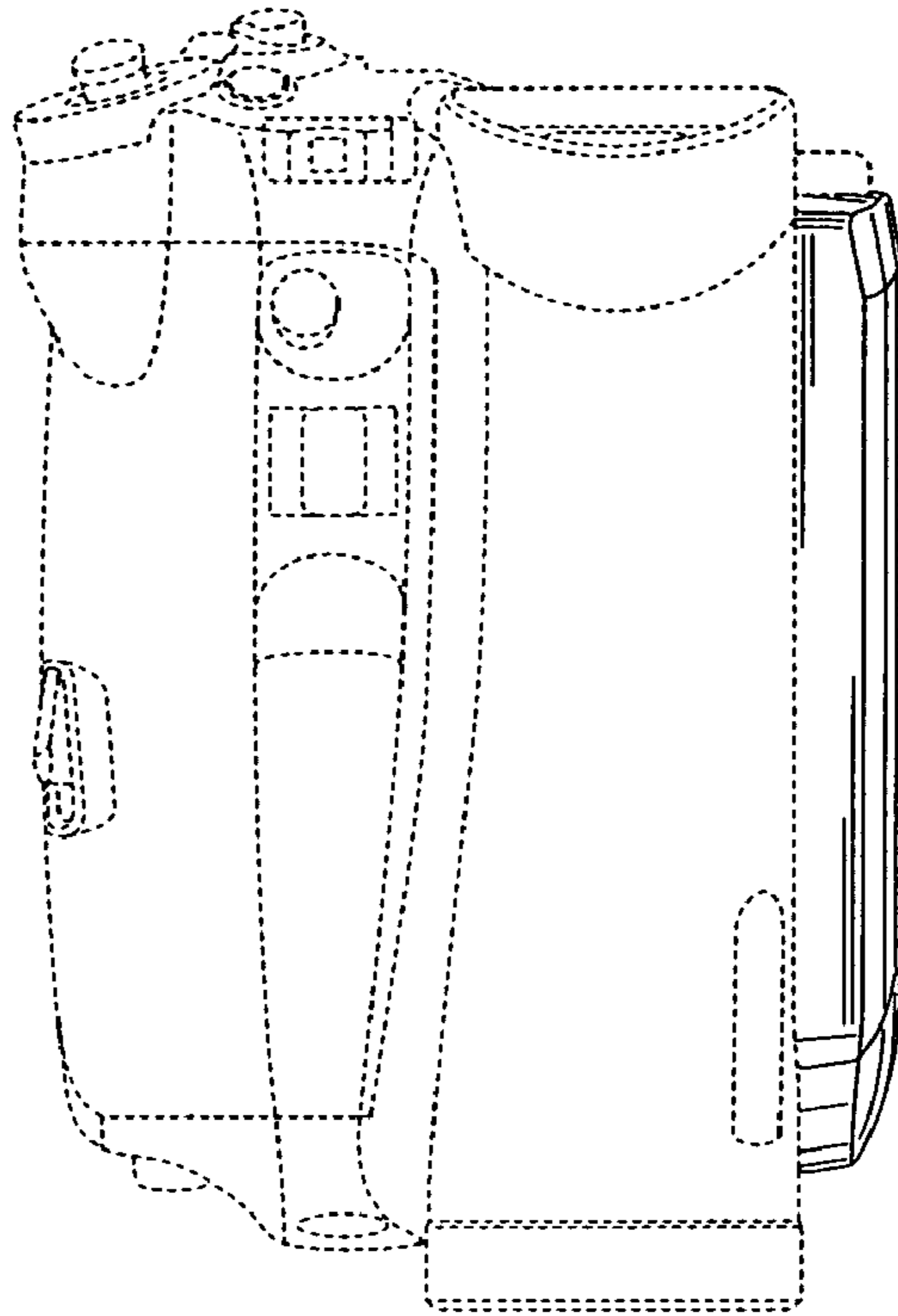


Fig8

