



US00D552653S

(12) **United States Design Patent** (10) **Patent No.:** **US D552,653 S**
Masano et al. (45) **Date of Patent:** **** Oct. 9, 2007**

(54) **VIDEO CAMERA WITH VIDEO DISC RECORDER**
(75) Inventors: **Koji Masano**, Ehime (JP); **Shigetada Ninomiya**, Ehime (JP)
(73) Assignee: **Matsushita Electric Industrial Co., Ltd.**, Osaka (JP)

D500,512 S * 1/2005 Hayashi D16/208
D505,438 S * 5/2005 Kojima et al. D16/202
D506,487 S * 6/2005 Inuma et al. D16/202
D507,290 S 7/2005 Nishiwaki
D515,123 S * 2/2006 Kojima et al. D16/202
D516,597 S * 3/2006 Tsuchiya D16/202
D517,107 S * 3/2006 Kojima et al. D16/202
2005/0062880 A1* 3/2005 Kojima et al. 348/373
2005/0140823 A1* 6/2005 Ishikuro 348/375

(**) Term: **14 Years**
(21) Appl. No.: **29/254,377**
(22) Filed: **Feb. 22, 2006**

FOREIGN PATENT DOCUMENTS

JP D1098406 1/2001

(Continued)

(30) **Foreign Application Priority Data**
Sep. 29, 2005 (JP) 2005-028253

Primary Examiner—Adir Aronovich
(74) *Attorney, Agent, or Firm*—Brinks Hofer Gilson & Lione

(51) **LOC (8) Cl.** **16-05**
(52) **U.S. Cl.** **D16/219; D16/202**
(58) **Field of Classification Search** D16/200–206,
D16/208, 218, 219; 348/373–376; 358/906;
396/535–541

(57) **CLAIM**

We claim the ornamental design for a video camera with video disc recorder, as shown and described.

See application file for complete search history.

DESCRIPTION

FIG. 1 is a front, top and right side perspective view of a video camera with video disc recorder of the present invention;

(56) **References Cited**

U.S. PATENT DOCUMENTS

D394,075 S 5/1998 Ninomiya et al.
D406,157 S 2/1999 Goto
D408,042 S 4/1999 Onoda et al.
D408,043 S 4/1999 Goto et al.
D408,428 S 4/1999 Ninomiya et al.
D410,017 S 5/1999 Goto et al.
D413,910 S 9/1999 Onoda et al.
D413,911 S 9/1999 Goto et al.
D418,852 S 1/2000 Onoda et al.
D419,169 S 1/2000 Masano
D469,793 S 2/2003 Onoda et al.
D469,794 S 2/2003 Onoda et al.
D490,456 S 5/2004 Masano et al.
D491,967 S * 6/2004 Kojima et al. D16/202
D496,061 S 9/2004 Hayashi D16/208

FIG. 2 is a rear, top and left side perspective view thereof;

FIG. 3 is a front view thereof;

FIG. 4 is a right side view thereof;

FIG. 5 is a rear view thereof;

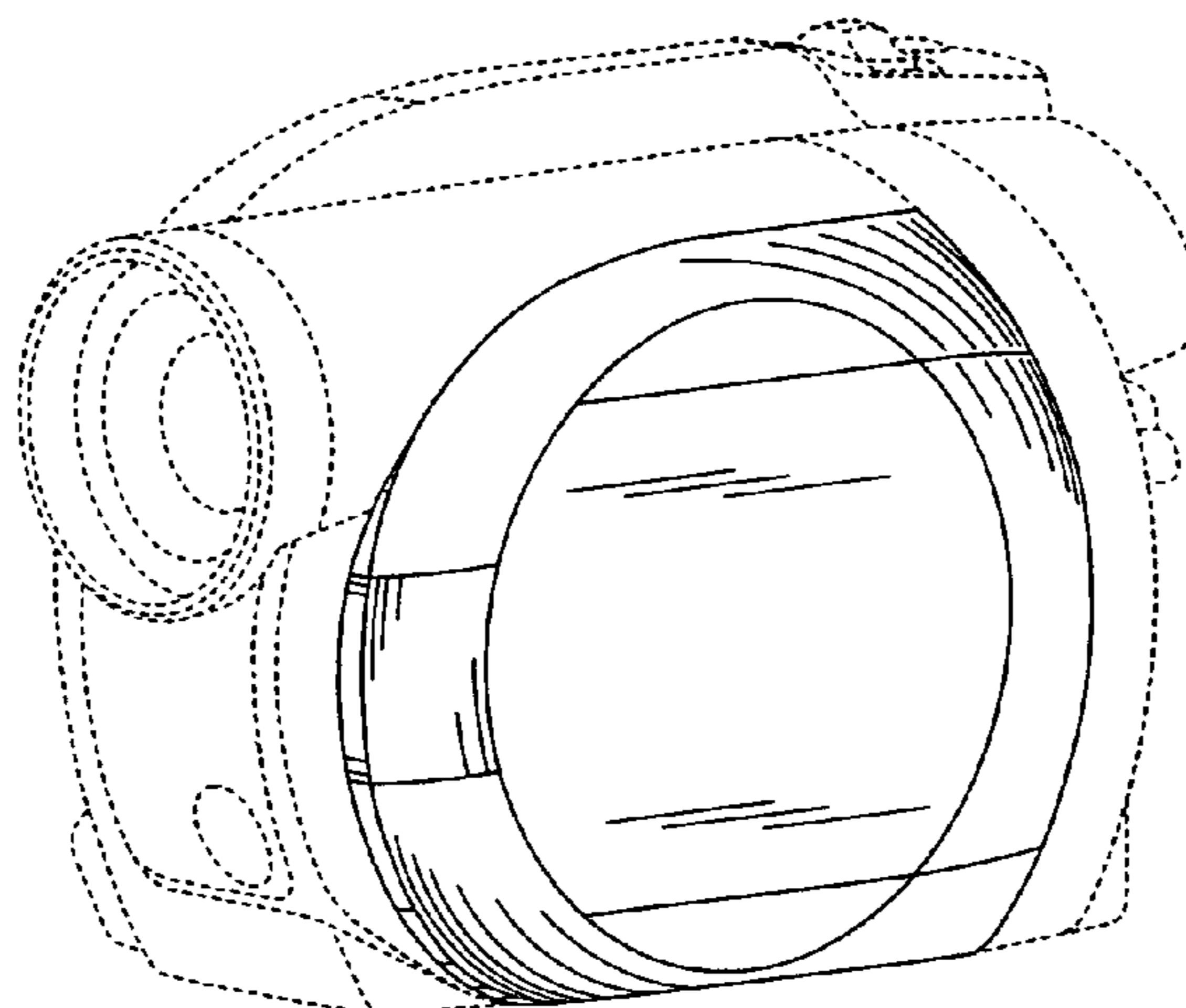
FIG. 6 is a left side view thereof;

FIG. 7 is a top view thereof; and,

FIG. 8 is a bottom view thereof.

The ornamental design which is claimed is shown in solid lines in the drawings. Any broken lines in the drawings are for illustrative purposes only and form no part of the claimed design.

1 Claim, 4 Drawing Sheets



US D552,653 S

Page 2

FOREIGN PATENT DOCUMENTS					
			JP	D1214067	8/2004
			JP	D1214068	8/2004
			JP	D1214069	8/2004
			JP	D1214081	8/2004
			JP	D1222710	11/2004
			JP	D1249190	8/2005
			JP	D1249202	8/2005
			* cited by examiner		
JP	D1148210	7/2002			
JP	D1149265	8/2002			
JP	D1182522	8/2003			
JP	D1182523	8/2003			
JP	D1182530	8/2003			
JP	D1182689	8/2003			
JP	D1192950	12/2003			
JP	D1196437	2/2004			

Fig. 1

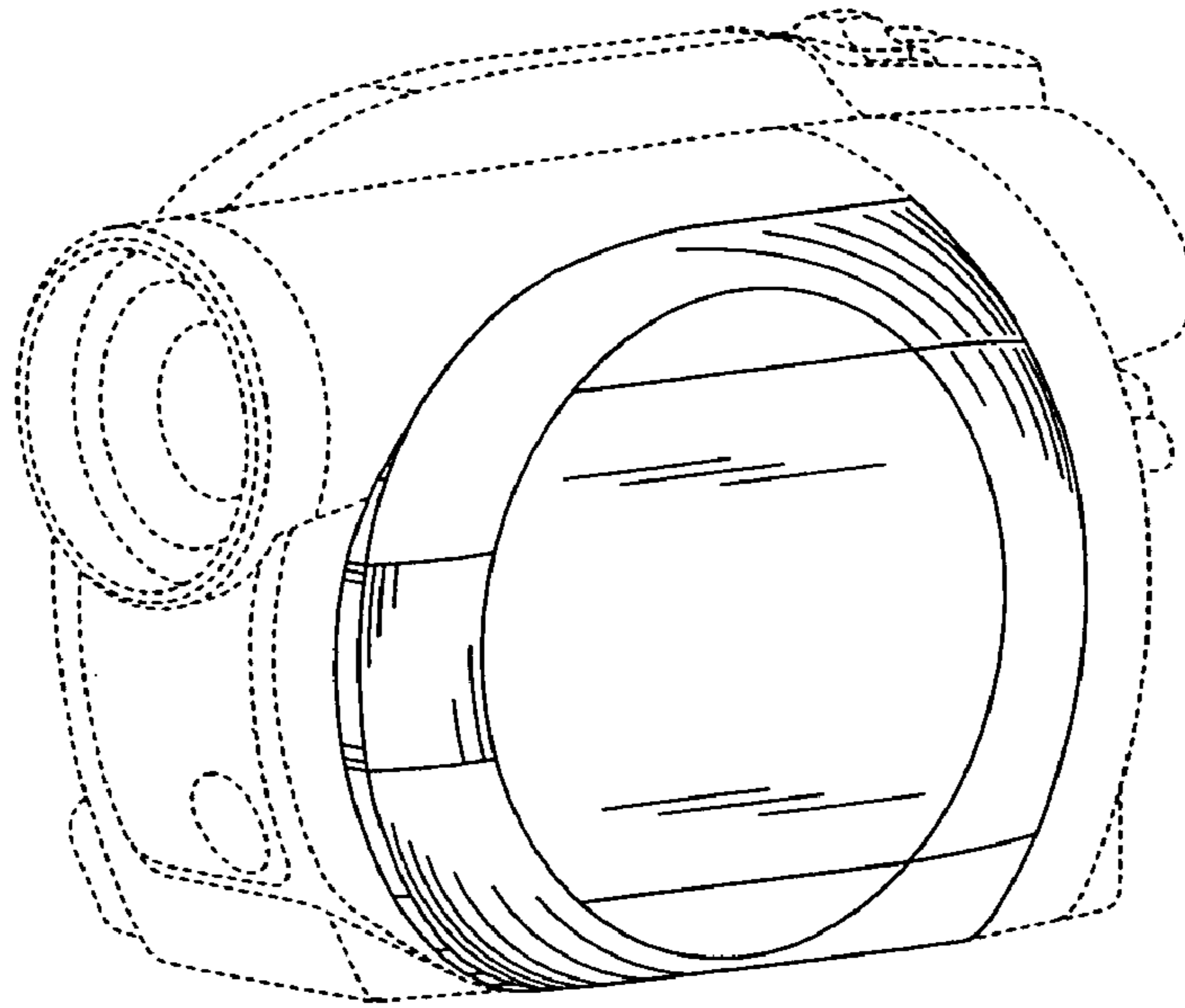


Fig. 2

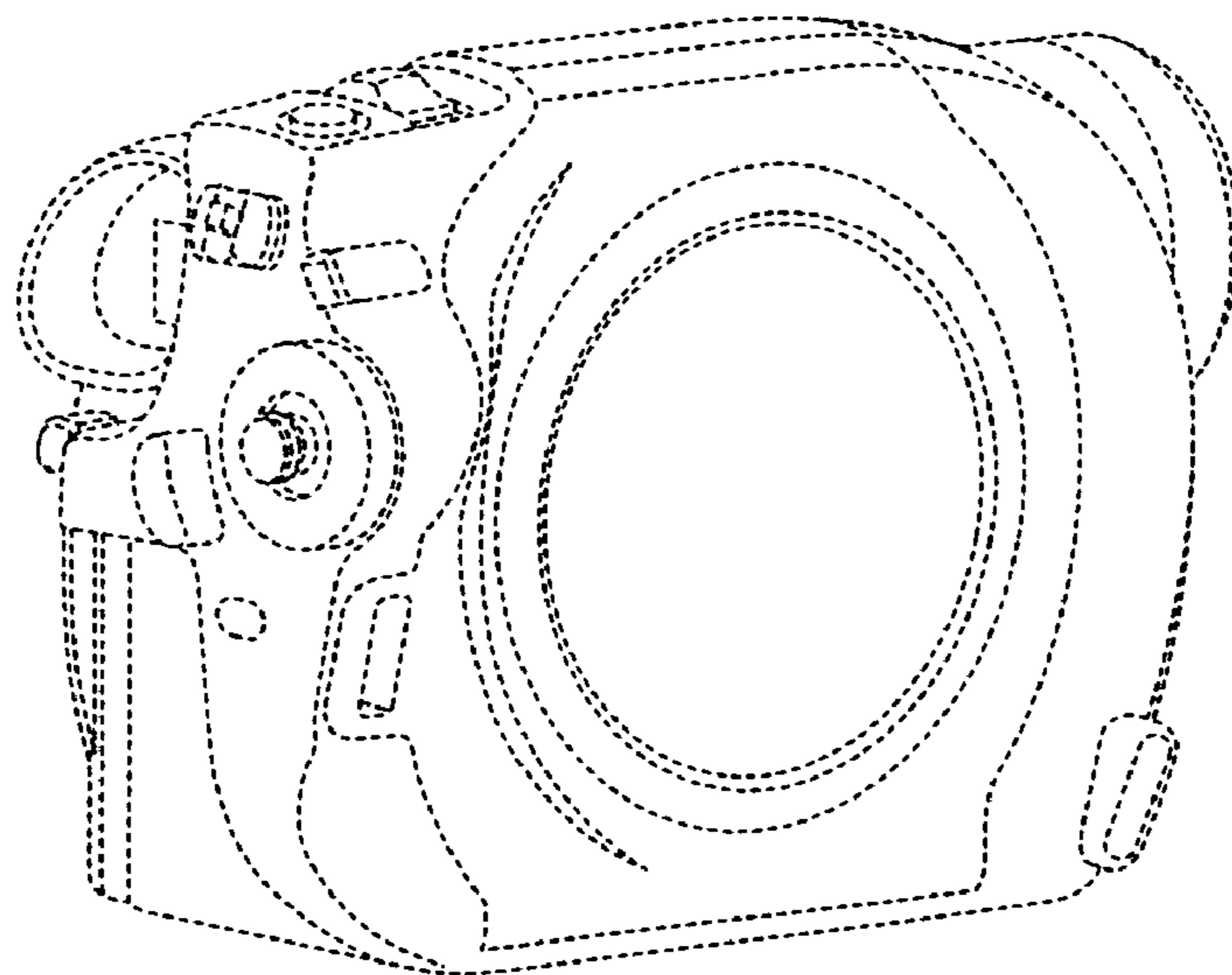


Fig.3

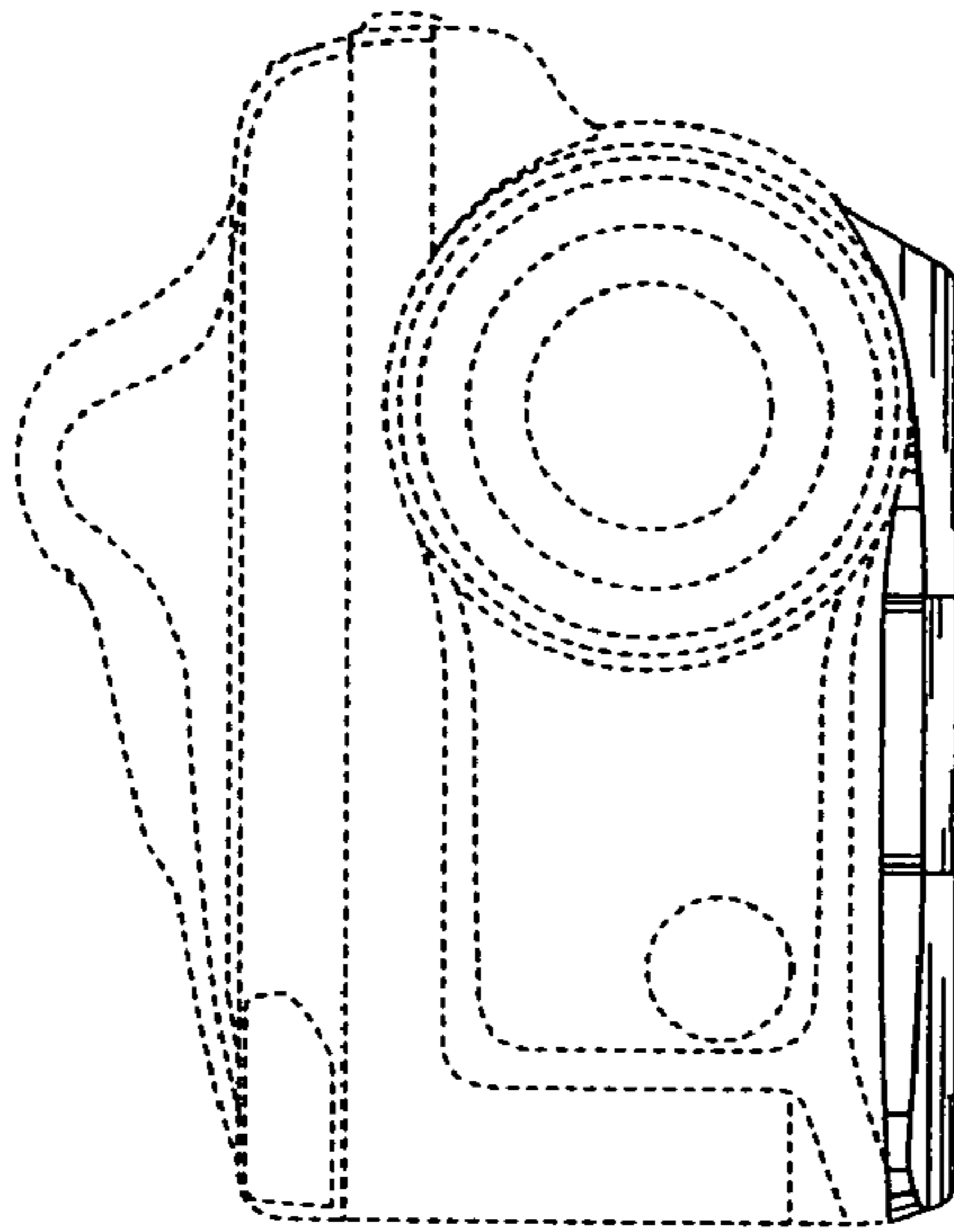


Fig.4

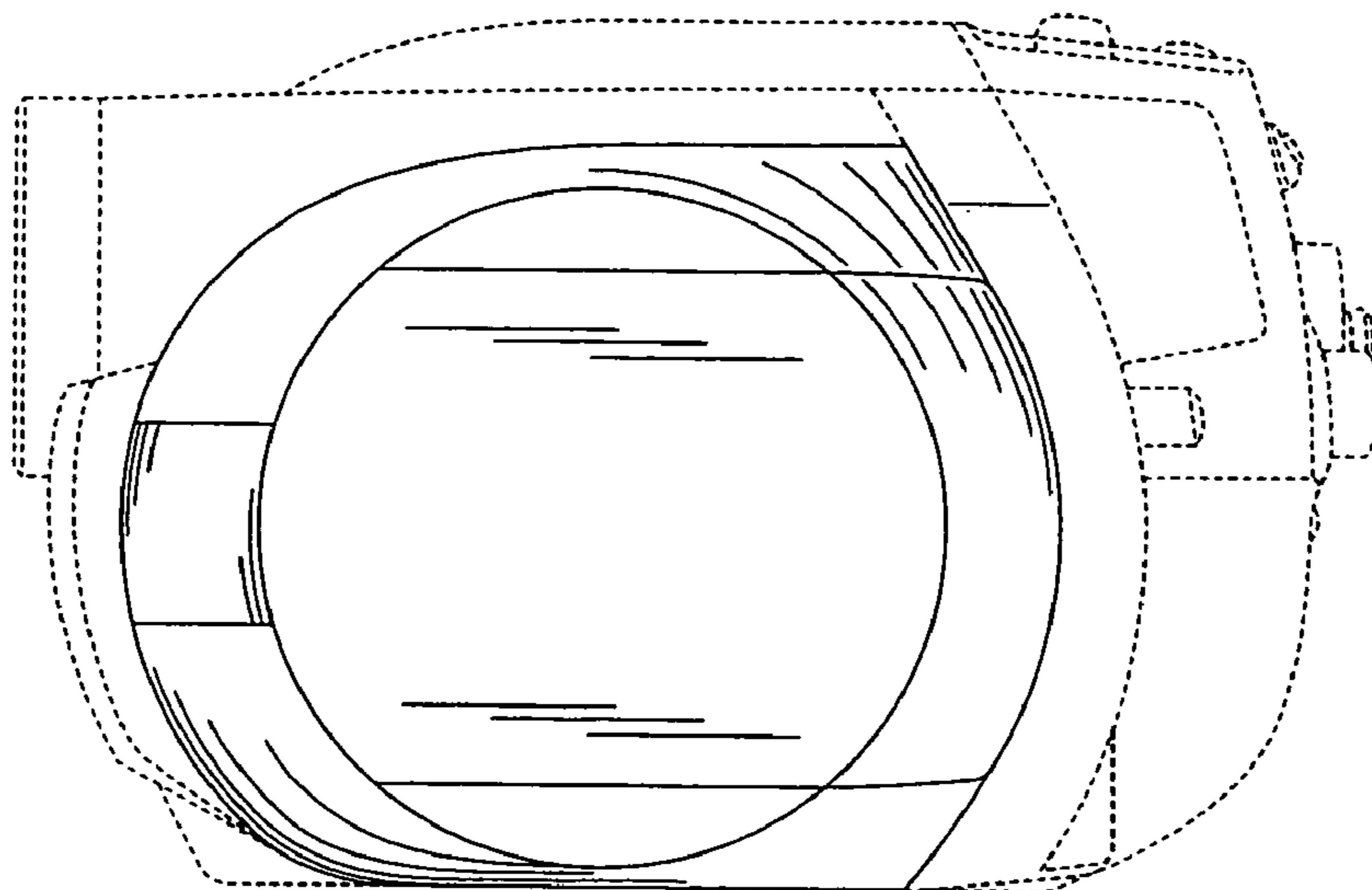


Fig.5

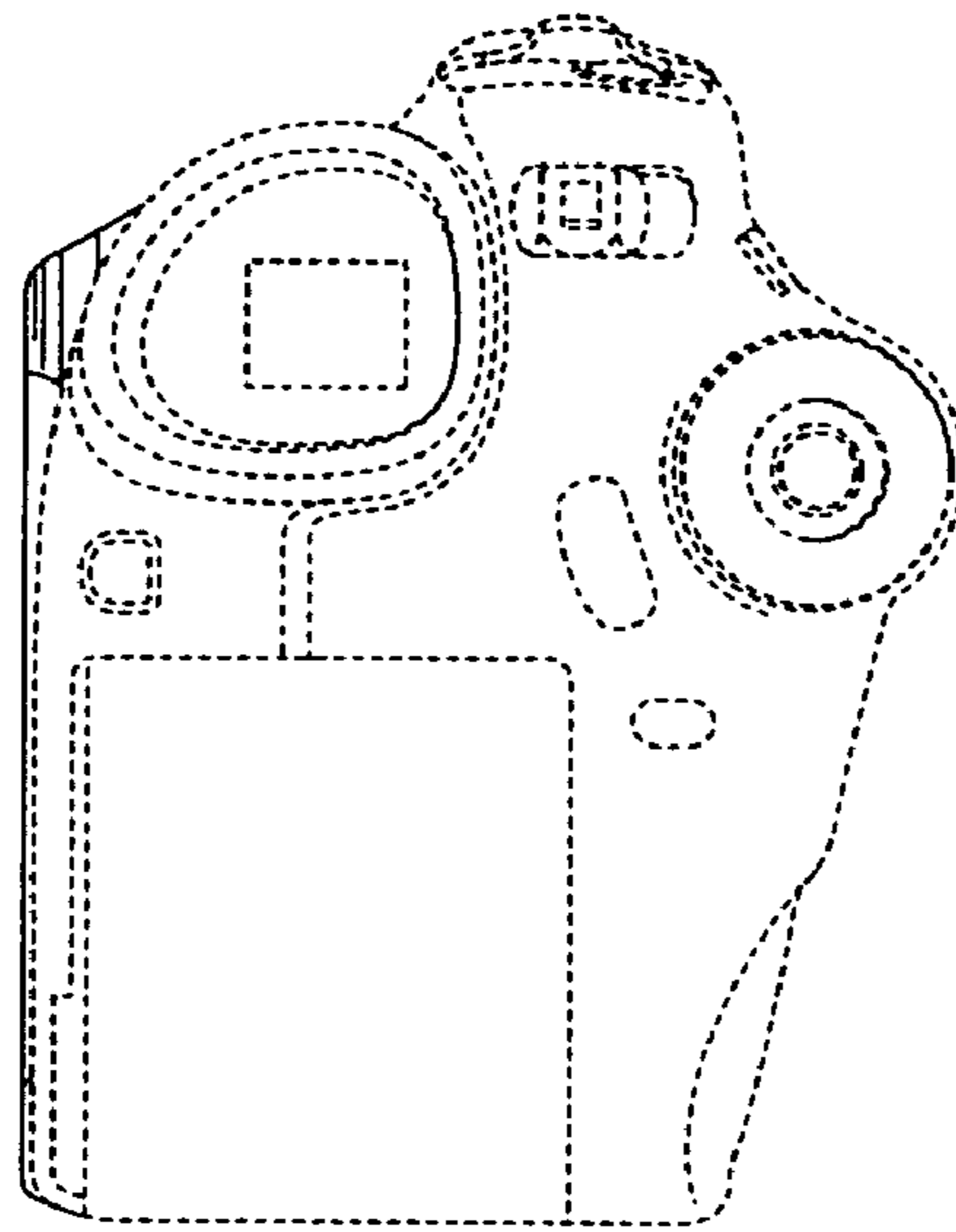


Fig.6

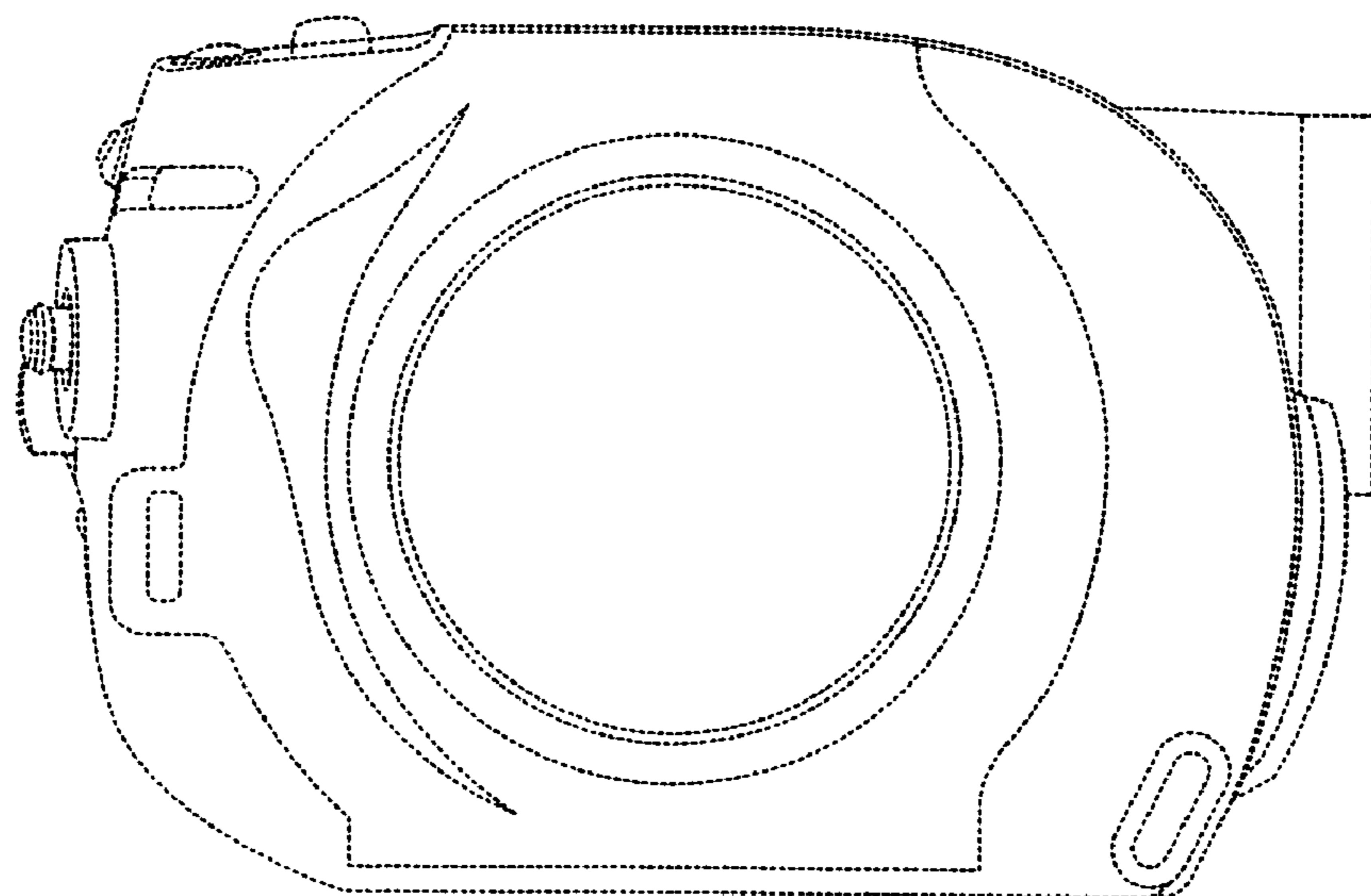


Fig7

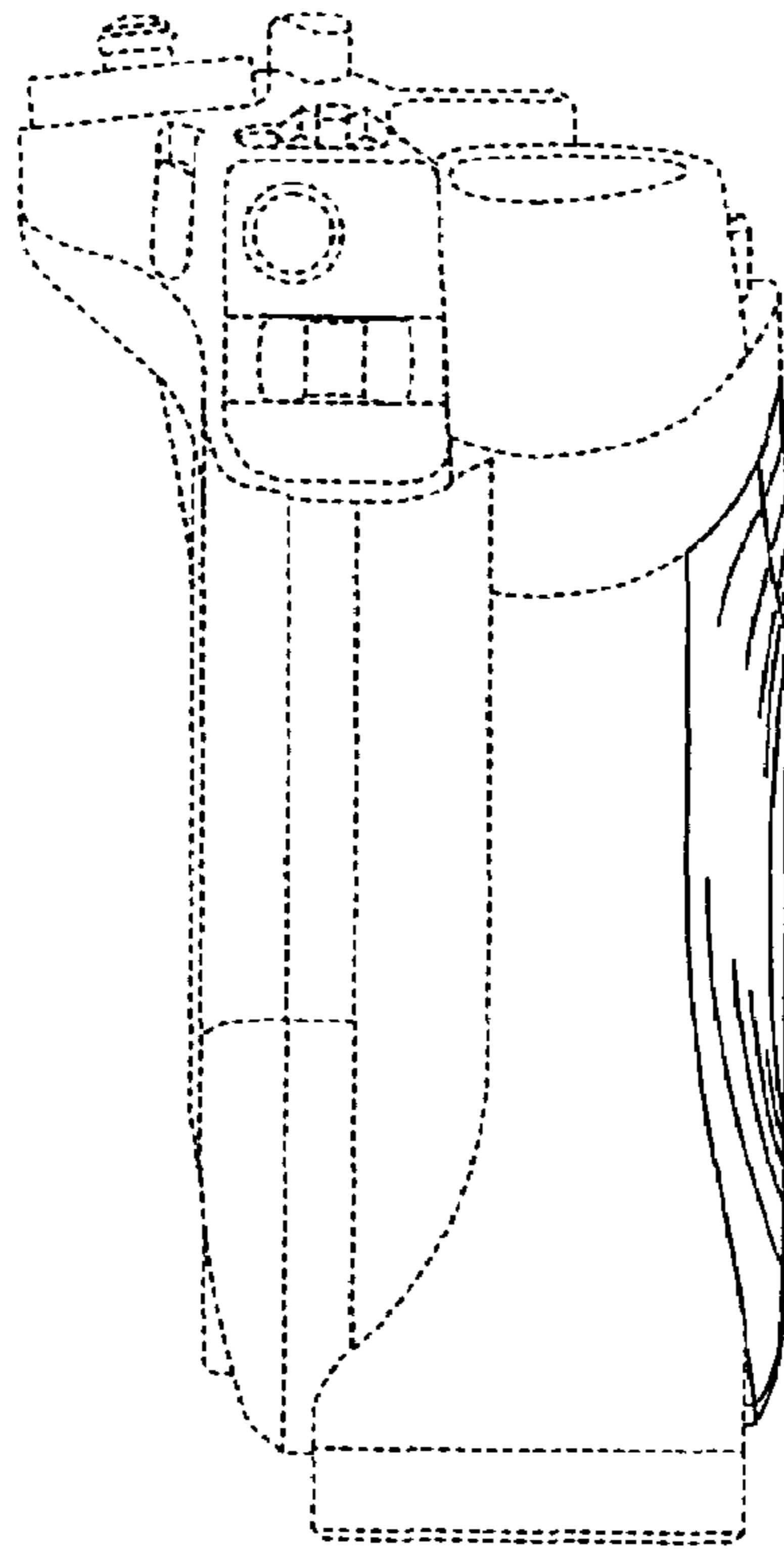


Fig8

