



US00D552649S

(12) **United States Design Patent** (10) **Patent No.:** **US D552,649 S**  
**Logan et al.** (45) **Date of Patent:** **\*\* Oct. 9, 2007**

(54) **CAMERA WITH SCROLL WHEEL**

(75) Inventors: **Andy Logan**, Redwood City, CA (US);  
**Mark Martinez**, San Francisco, CA  
(US); **Martin Wang**, Hsinchu (TW);  
**Carol Wu**, Hsinchu (TW); **Kenneth  
Ling**, San Francisco, CA (US)

(73) Assignee: **Logitech Europe S.A.** (CH)

(\*\*) Term: **14 Years**

(21) Appl. No.: **29/255,998**

(22) Filed: **Mar. 13, 2006**

(51) **LOC (8) Cl.** ..... **16-01**

(52) **U.S. Cl.** ..... **D16/202; D16/200; D16/214**

(58) **Field of Classification Search** ..... D16/200–206,  
D16/208–209, 217, 219, 242, 244, 245, 214,  
D16/218, 213; D21/514; 248/373–376;  
358/906, 909.1; 396/535–541, 427; 348/143;  
352/242

See application file for complete search history.

(56) **References Cited**

**U.S. PATENT DOCUMENTS**

- D383,475 S 9/1997 Yamauchi et al.
- D392,299 S 3/1998 Lin
- D399,860 S \* 10/1998 Huang ..... D16/202
- D430,587 S 9/2000 Summit
- D433,432 S 11/2000 Prather et al.
- D440,244 S 4/2001 Prather et al.
- D442,202 S 5/2001 Pfeifer et al.
- D446,538 S 8/2001 Prather et al.
- D454,900 S 3/2002 Tsang et al.
- D455,164 S 4/2002 Tsang et al.
- D455,165 S 4/2002 Tsang et al.
- D455,767 S 4/2002 Tsang et al.
- D455,768 S 4/2002 Tsang et al.
- D460,475 S 7/2002 Backs et al.
- D463,813 S 10/2002 Tsang
- D468,336 S 1/2003 Kampf et al.

- D470,521 S 2/2003 Friedrichs et al.
- D470,522 S 2/2003 Friedrichs et al.
- D470,526 S 2/2003 Oliver et al.
- D470,527 S 2/2003 Oliver et al.
- D470,875 S \* 2/2003 Liao ..... D16/202
- D470,876 S 2/2003 Friedrichs et al.
- D475,385 S \* 6/2003 Christianson ..... D16/202
- D478,922 S 8/2003 Han
- D480,098 S 9/2003 Bernoulli et al.
- D497,930 S 11/2004 Moayer et al.
- D502,720 S 3/2005 Egnolo et al.
- D505,439 S \* 5/2005 Liiv ..... D16/208
- D507,007 S 7/2005 Sitoh et al.
- D511,181 S \* 11/2005 Huang et al. .... D16/202
- D511,352 S 11/2005 Oliver et al.
- D516,105 S 2/2006 Bradley et al.

\* cited by examiner

*Primary Examiner*—Ian Simmons

*Assistant Examiner*—Wan Laymon

(74) *Attorney, Agent, or Firm*—Townsend and Townsend  
and Crew LLP

(57) **CLAIM**

The ornamental design for a camera with scroll wheel, as  
shown and described.

**DESCRIPTION**

FIG. 1 is a perspective view of a camera with scroll wheel  
showing our new design;

FIG. 2 is a front elevational view thereof;

FIG. 3 is a right elevational view thereof;

FIG. 4 is a rear elevational view thereof;

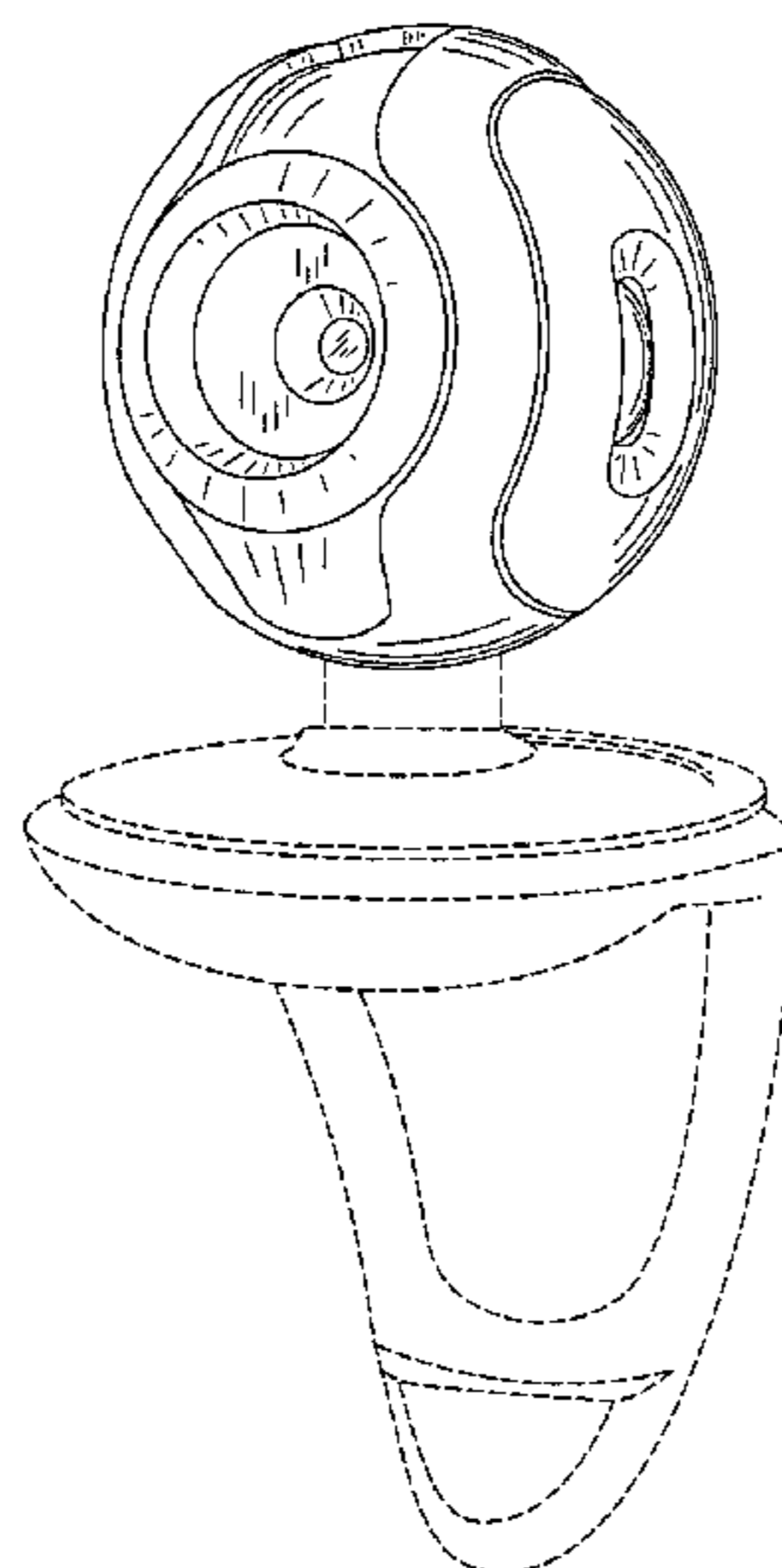
FIG. 5 is a left elevational view thereof;

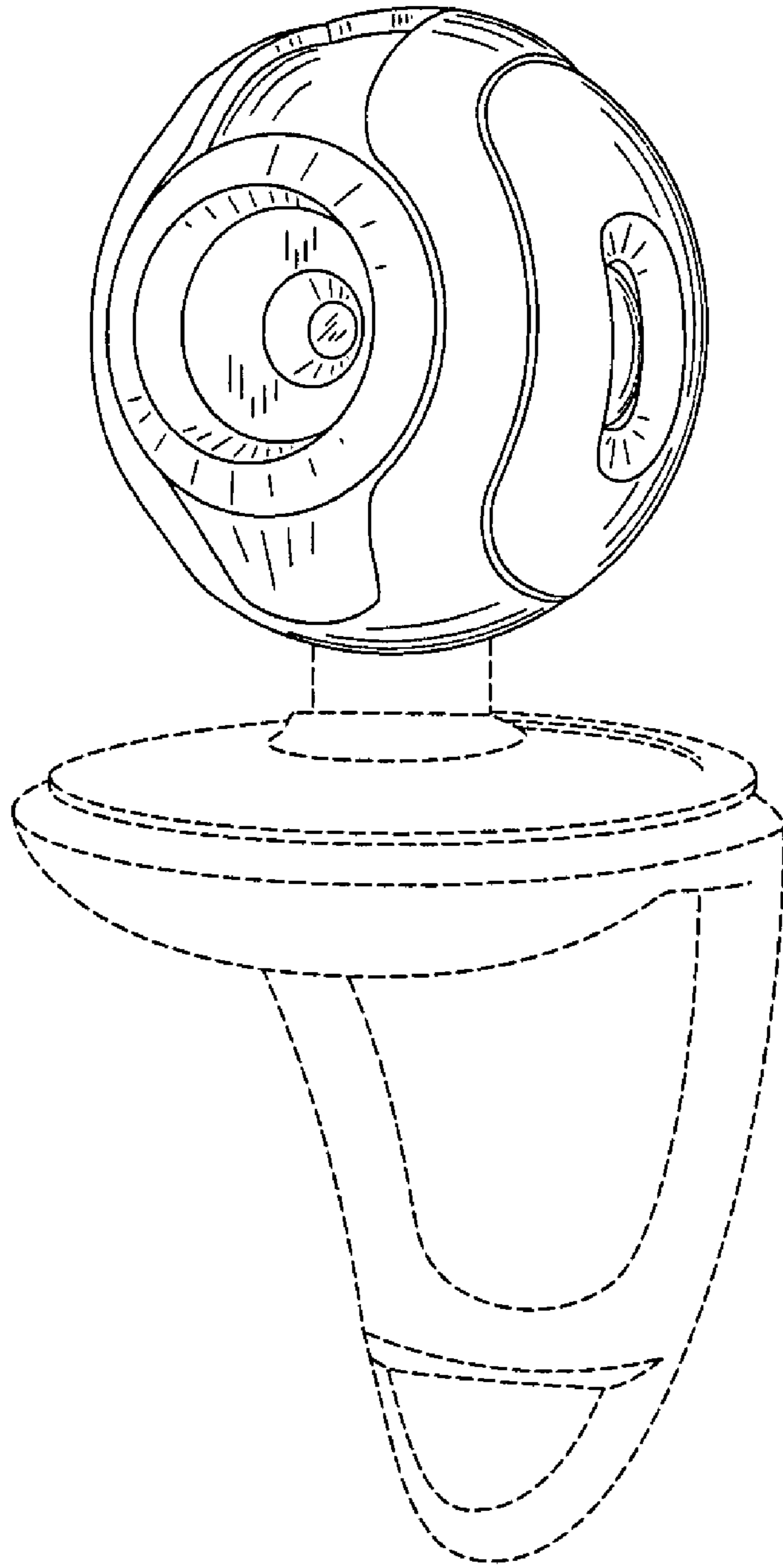
FIG. 6 is a top plan view thereof; and,

FIG. 7 is a bottom plan view thereof.

The broken lines in the Figures are for illustrative purposes  
only and form no part of the claimed design.

**1 Claim, 4 Drawing Sheets**





**FIG. 1**

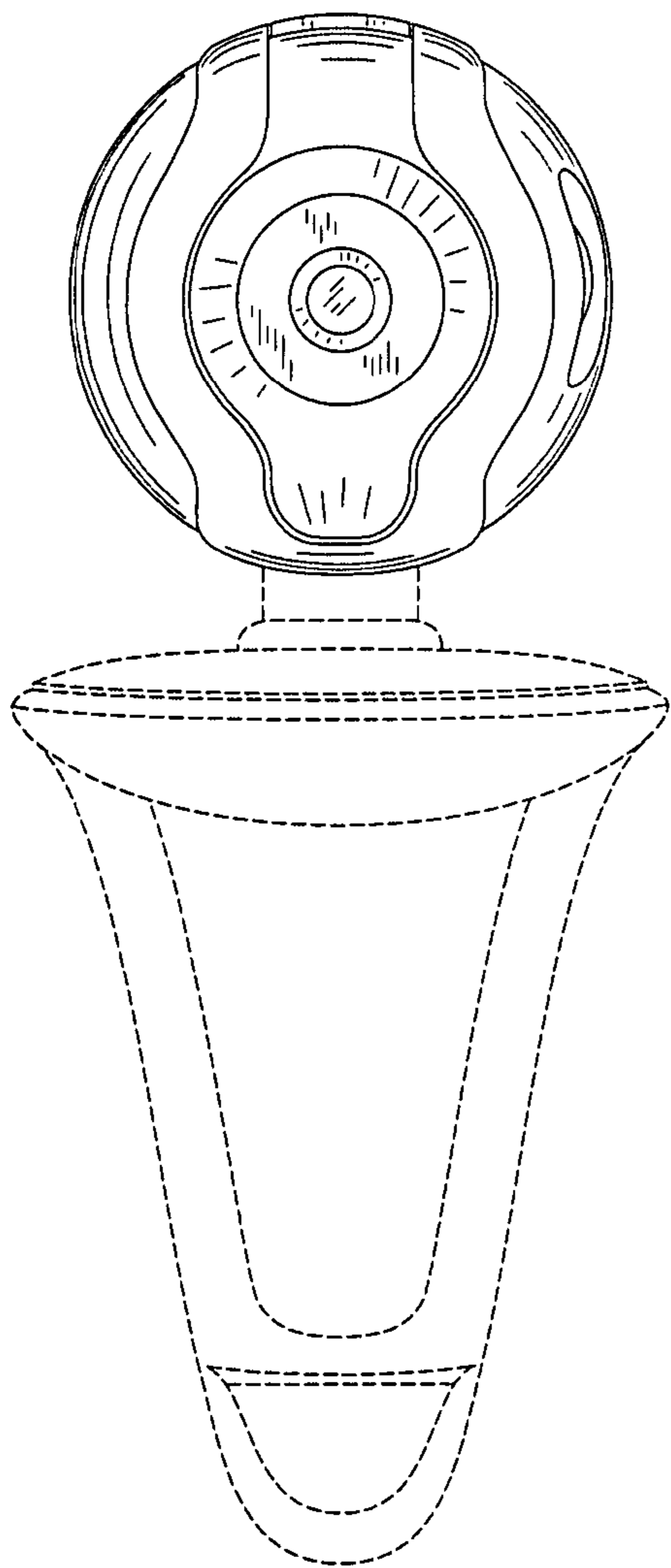


FIG. 2

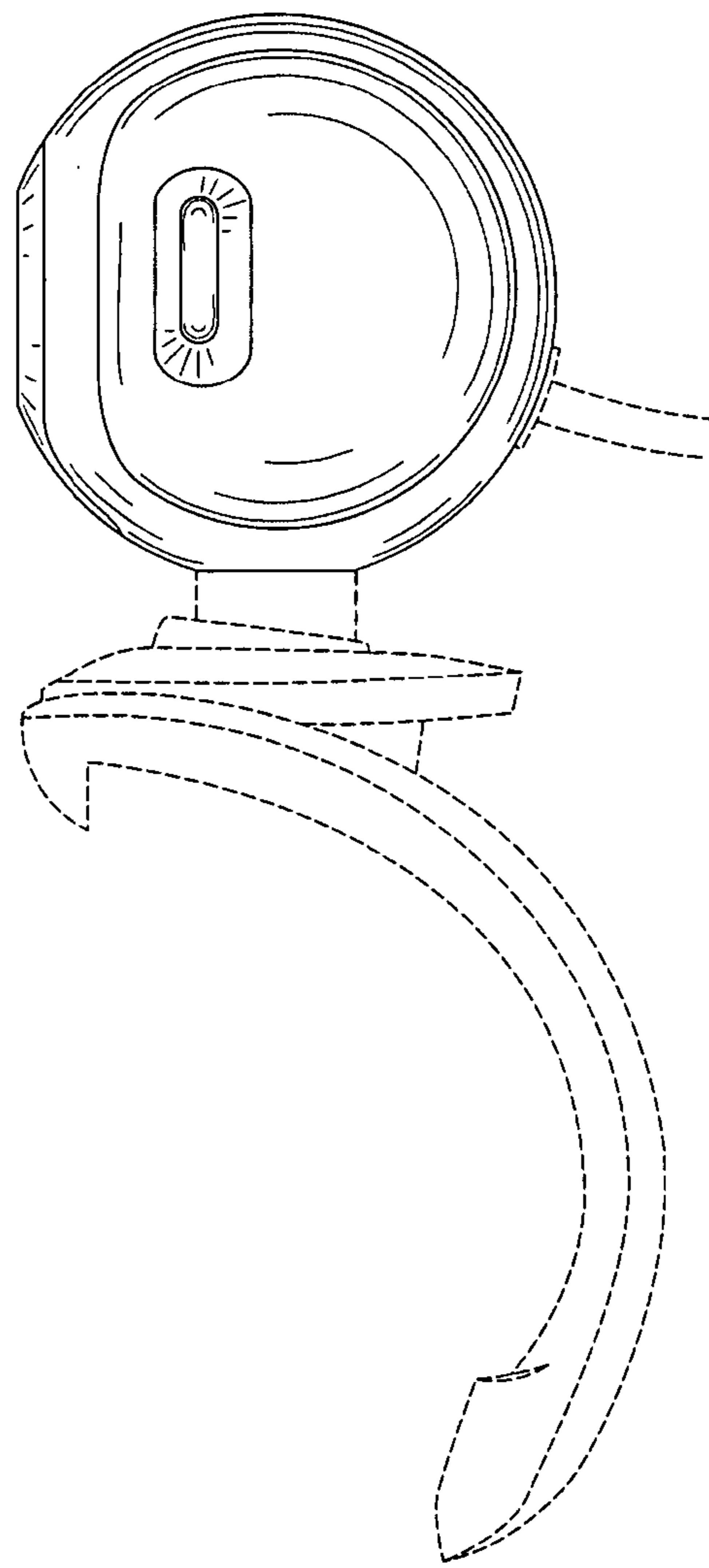
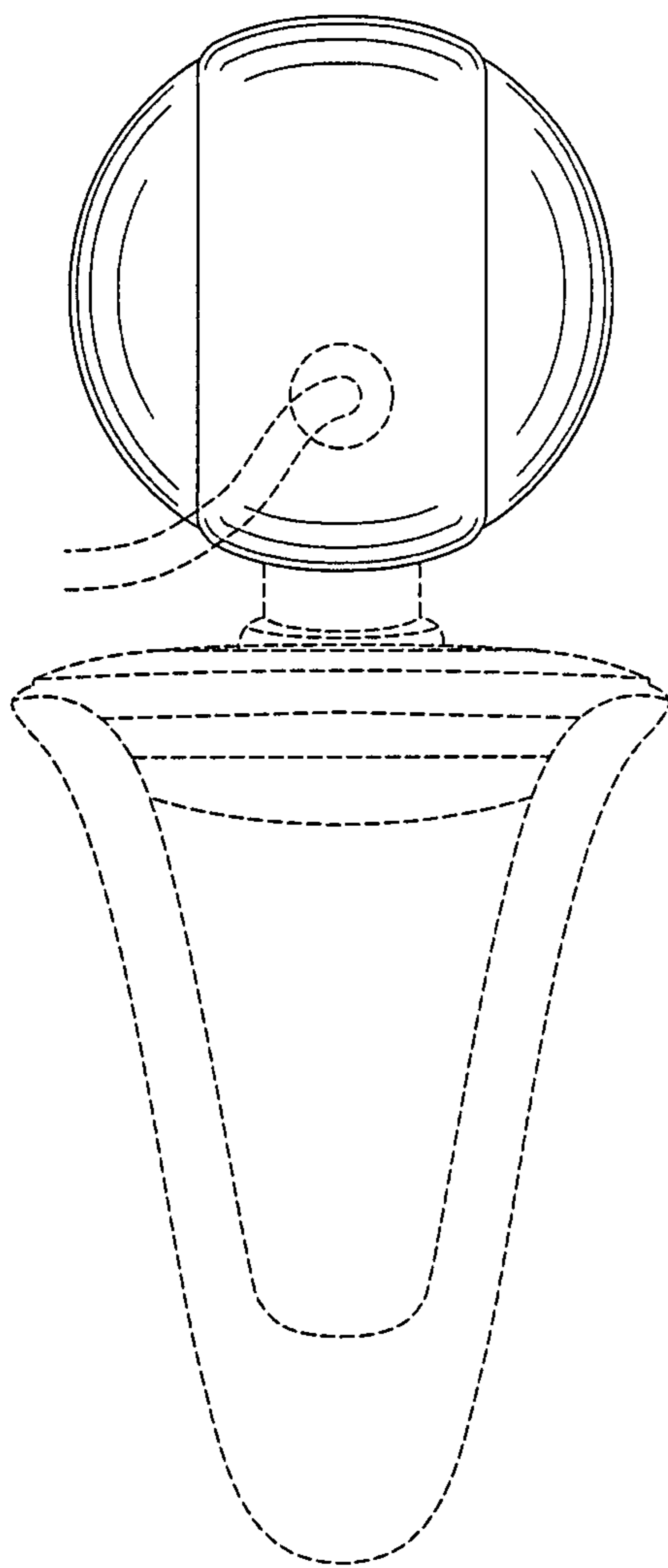
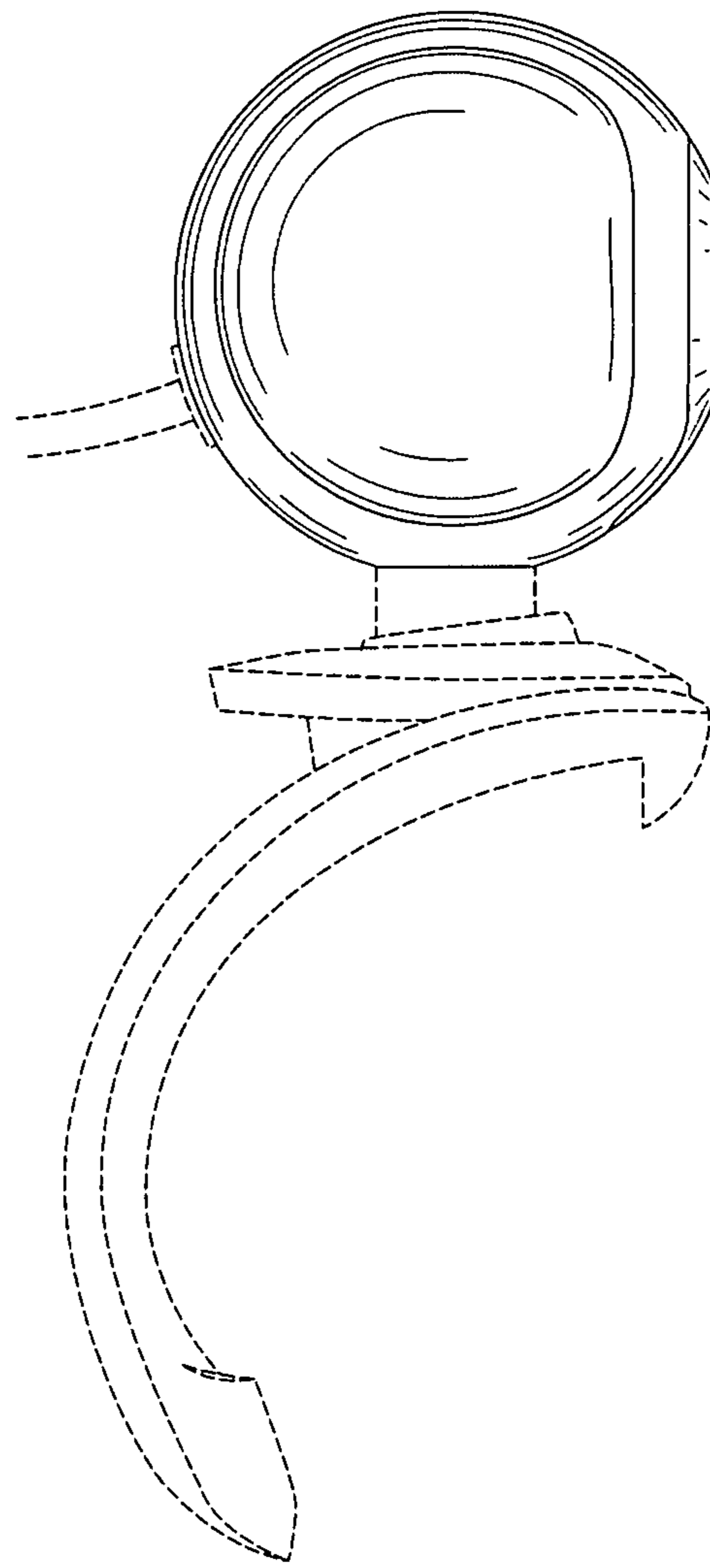


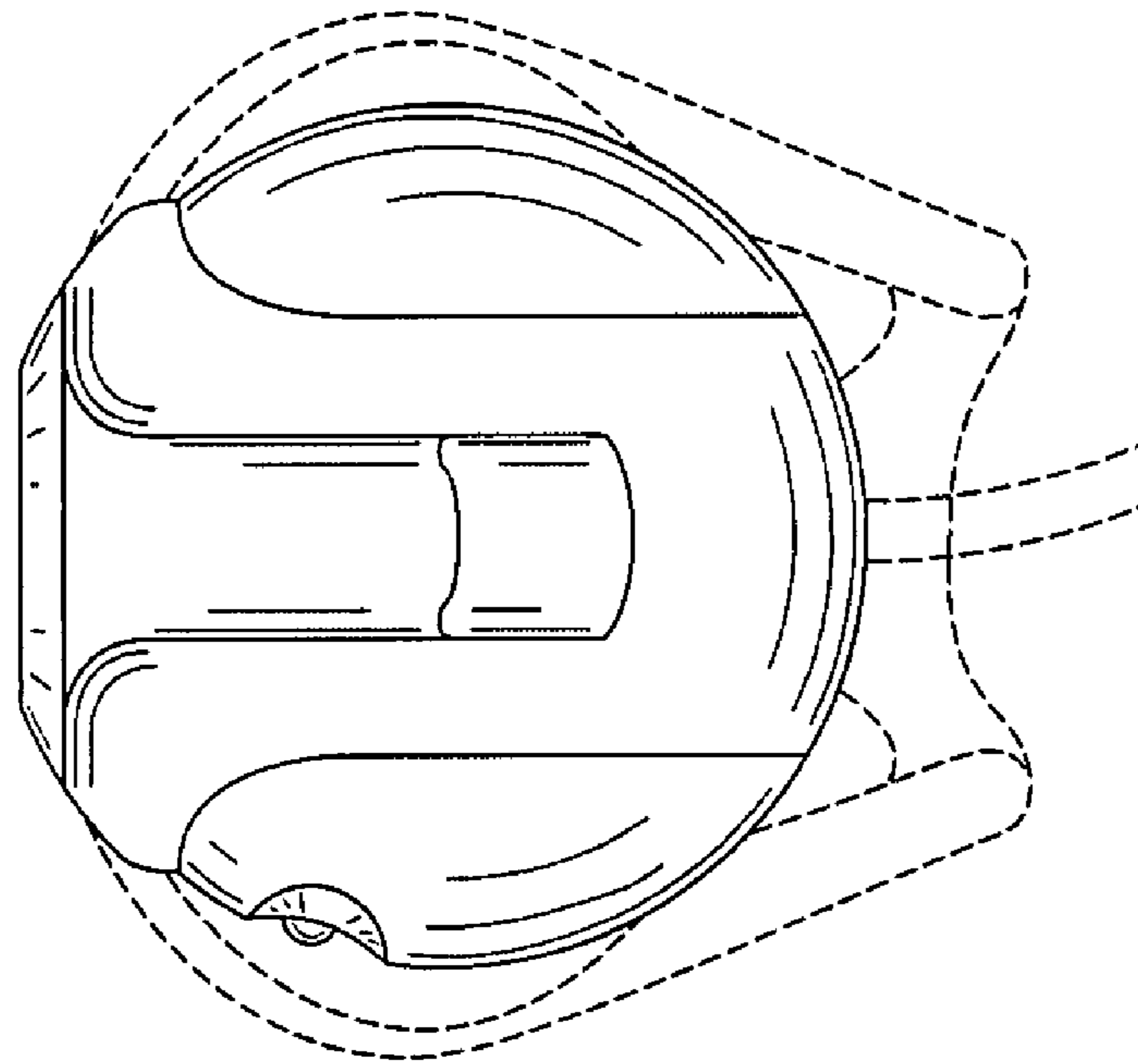
FIG. 3



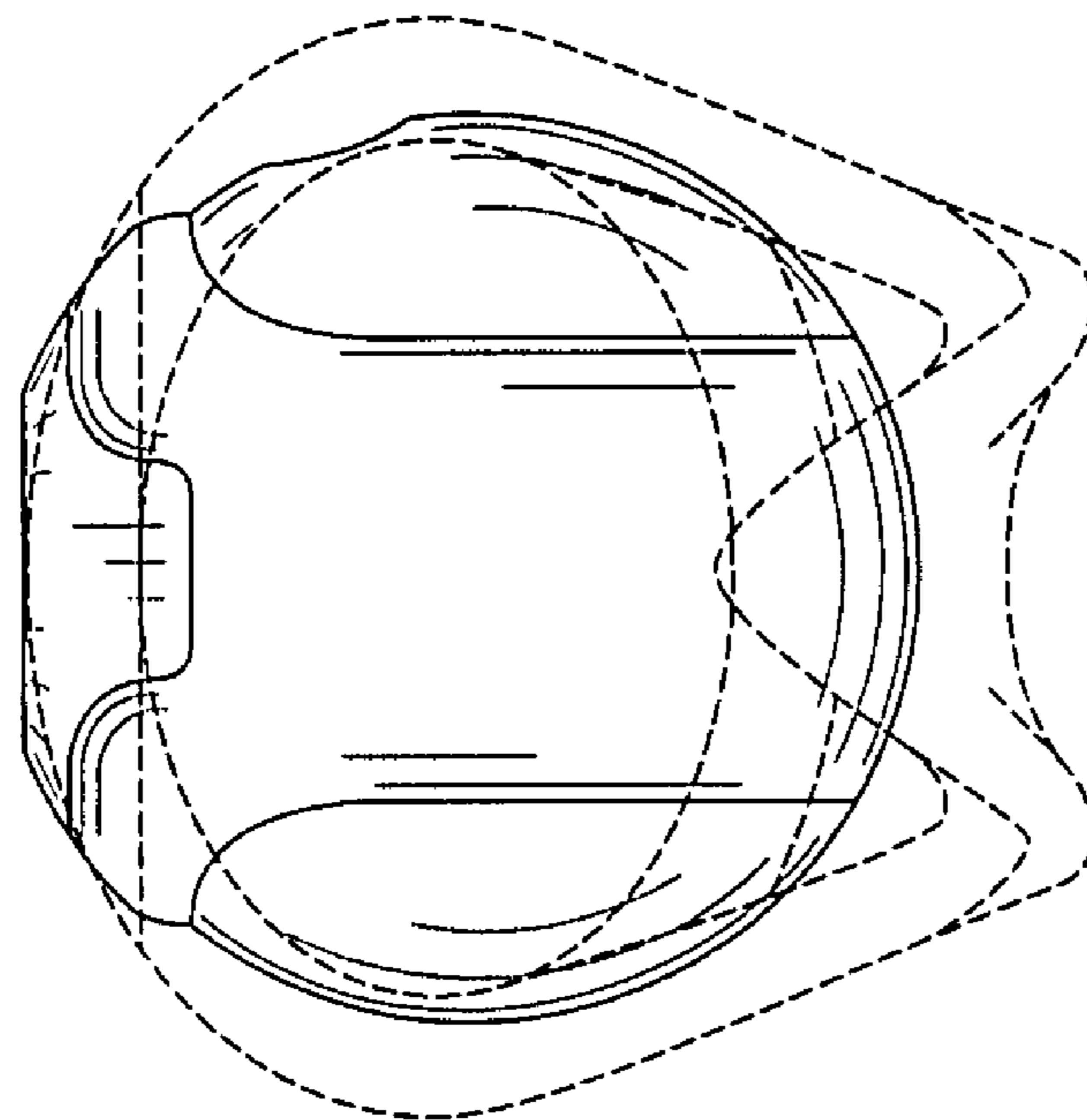
**FIG. 4**



**FIG. 5**



**FIG. 6**



**FIG. 7**