



US00D552647S

(12) **United States Design Patent**  
**Bai**

(10) **Patent No.:** **US D552,647 S**

(45) **Date of Patent:** **\*\* Oct. 9, 2007**

(54) **DIGITAL CAMERA**

D527,403 S \* 8/2006 Byun et al. .... D16/202

(75) Inventor: **Sung Kyun Bai**, Kyungki-Do (KR)

\* cited by examiner

(73) Assignee: **Samsung Electronics Co., Ltd.** (KR)

*Primary Examiner*—Ian Simmons

*Assistant Examiner*—Wan Laymon

(\*\*) Term: **14 Years**

(74) *Attorney, Agent, or Firm*—Irving Keschner

(21) Appl. No.: **29/244,747**

(57) **CLAIM**

(22) Filed: **Dec. 14, 2005**

The ornamental design for a digital camera, as shown and described.

(30) **Foreign Application Priority Data**

**DESCRIPTION**

Sep. 2, 2005 (KR) ..... 30-2005-0029709

(51) **LOC (8) Cl.** ..... **16-01**

FIG. 1 is a perspective view of a digital camera showing my new design;

(52) **U.S. Cl.** ..... **D16/202; D16/200; D16/218**

FIG. 2 is a front elevational view thereof;

(58) **Field of Classification Search** ..... D16/200–206,  
D16/208–209, 216–218; 348/373–376, 231.6,  
348/231.7; 358/909, 909.1; 396/6, 60, 211,  
396/535–541

FIG. 3 is a rear elevational view thereof;

FIG. 4 is a left side elevational view, the right side elevational view being a mirror image thereof;

See application file for complete search history.

FIG. 5 is a right side elevational view thereof;

(56) **References Cited**

FIG. 6 is a top plan view thereof;

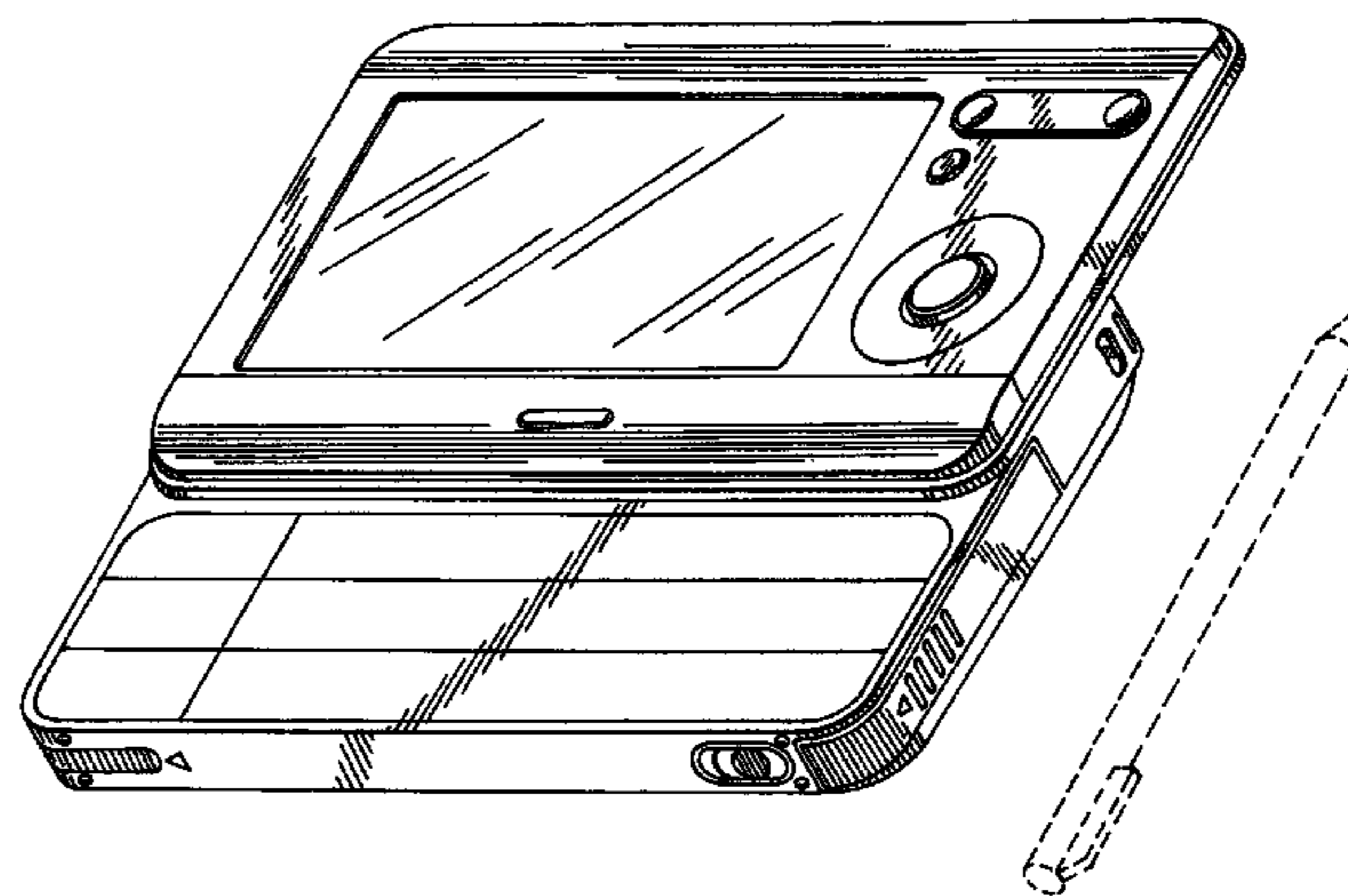
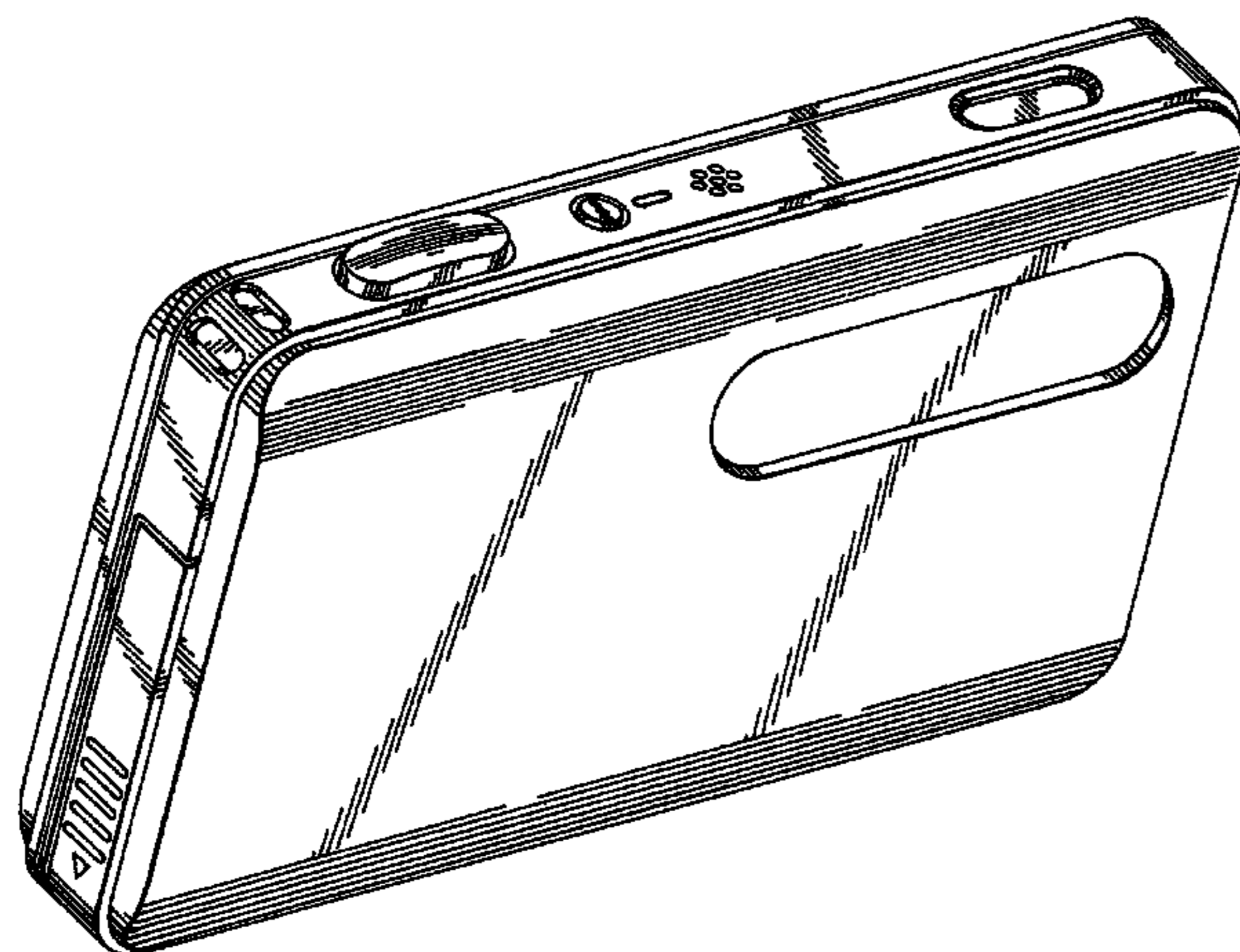
FIG. 7 is a bottom view thereof; and,

**U.S. PATENT DOCUMENTS**

FIG. 8 is a perspective view of a digital camera shown in an open position; the broken line shown of a stylus is for illustrative purpose only and forms no part of the claimed design.

D396,482 S *	7/1998	Yamanouchi	.....	D16/202
D470,523 S *	2/2003	Basmadjian et al.	.....	D16/212
D494,201 S *	8/2004	Chen	.....	D16/202
D494,203 S *	8/2004	Yoo	.....	D16/202
D501,014 S *	1/2005	Hayashi	.....	D16/202
D508,711 S *	8/2005	Suzuki	.....	D16/218

**1 Claim, 6 Drawing Sheets**



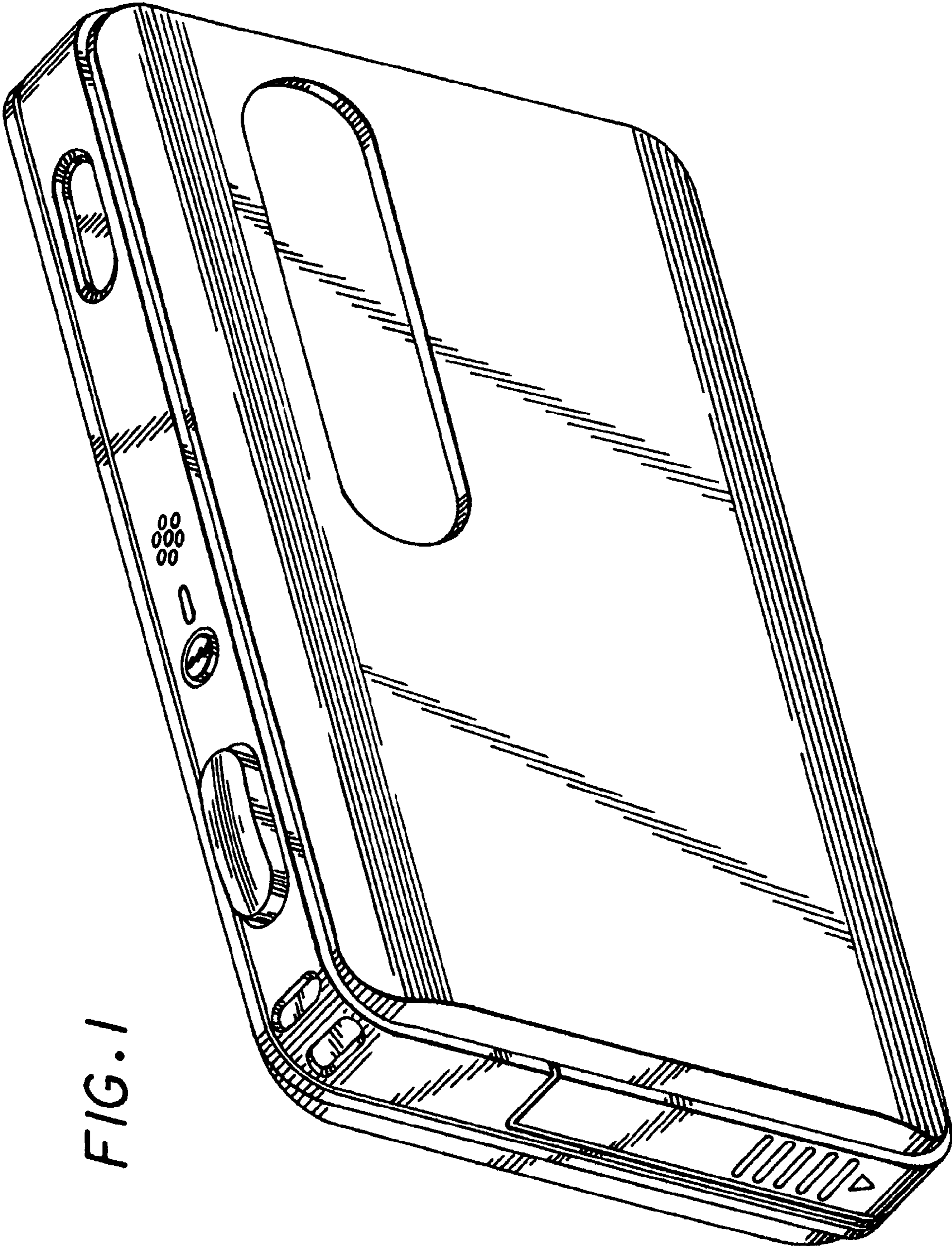


FIG. 1

FIG. 2

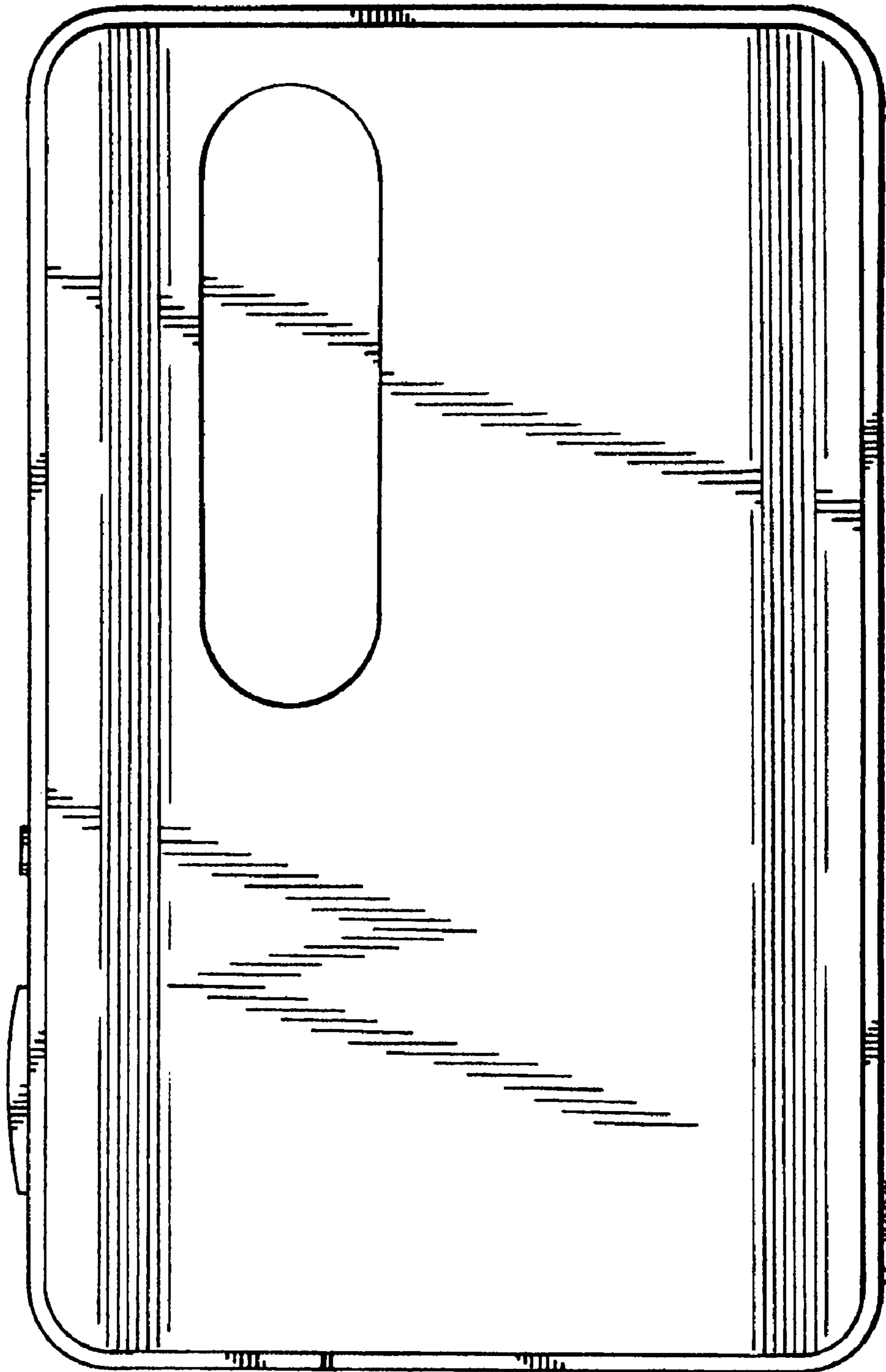
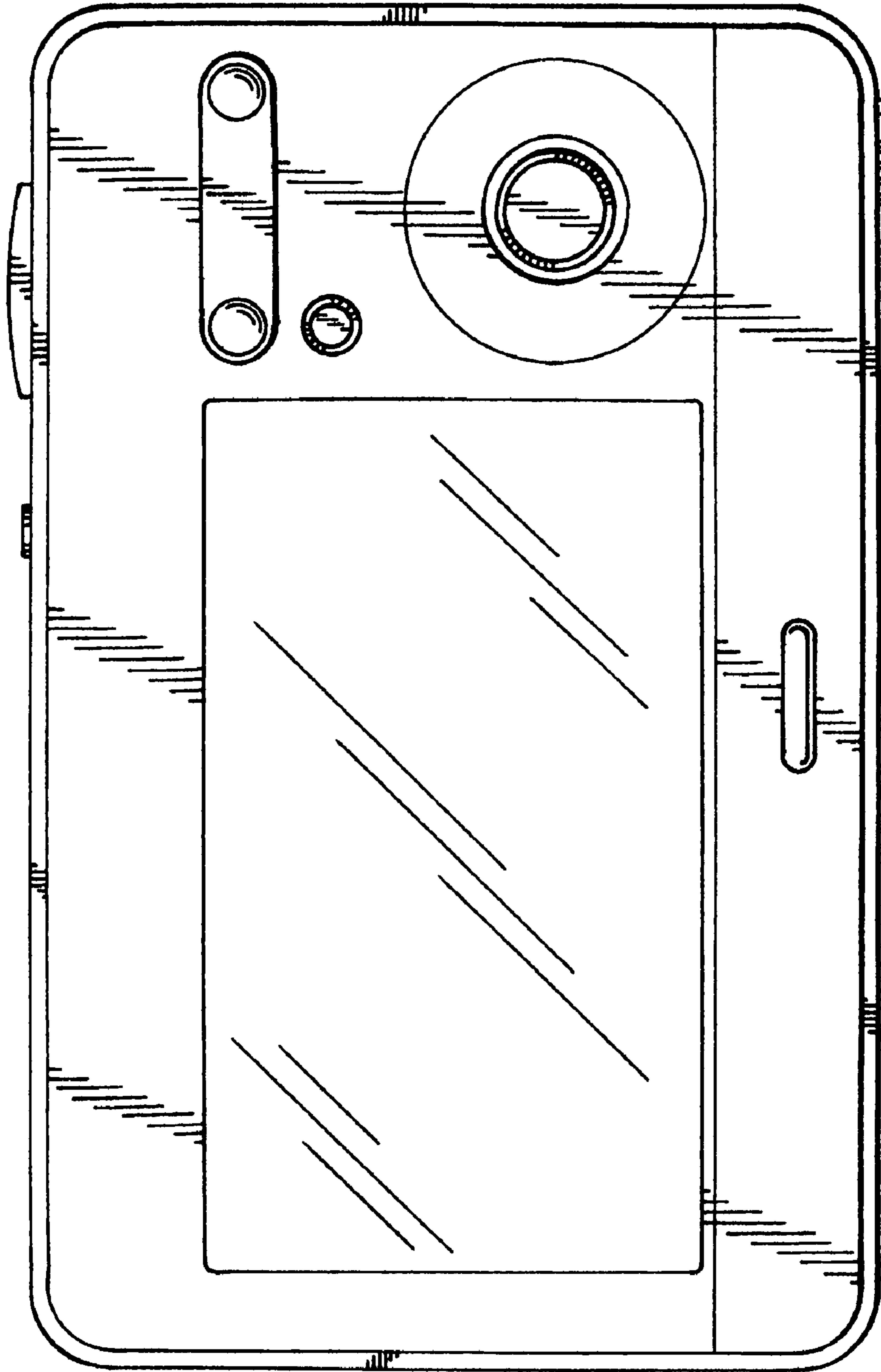
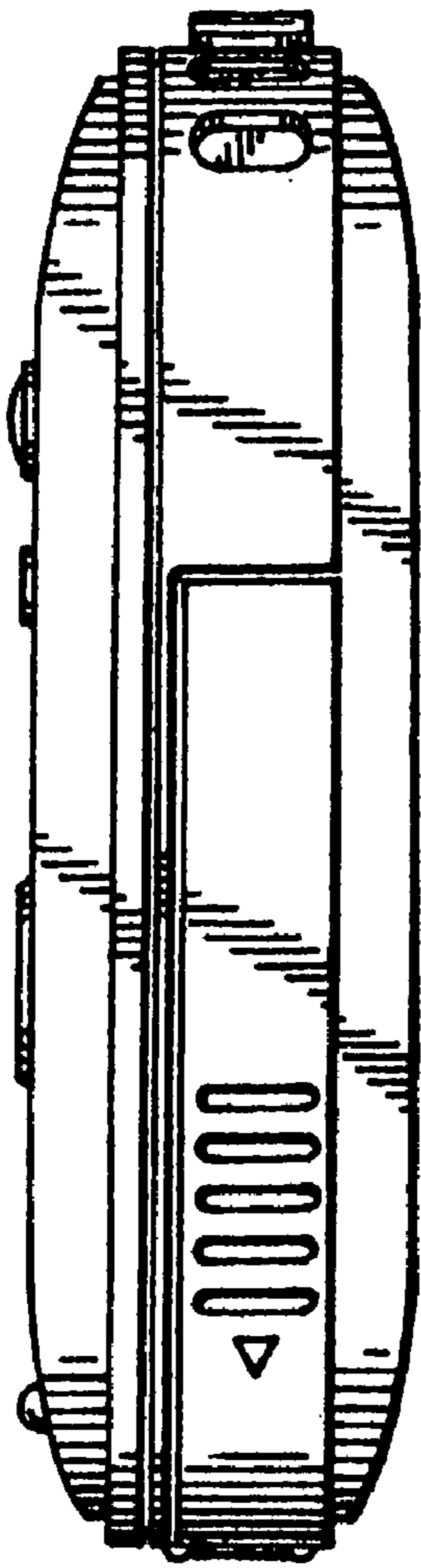


FIG. 3



*FIG. 4*



*FIG. 5*

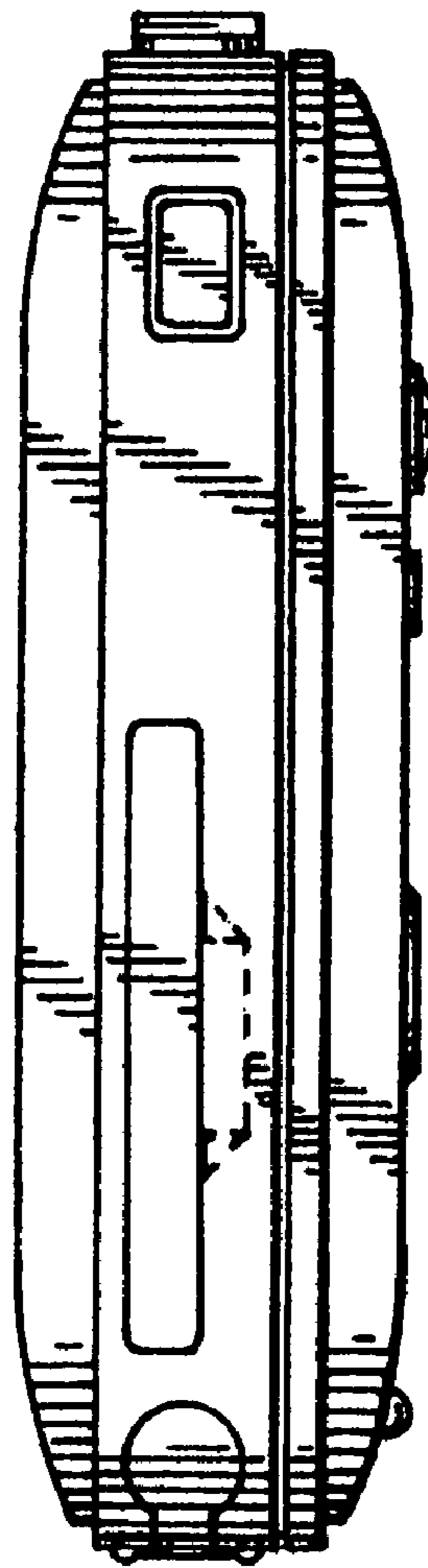


FIG. 6

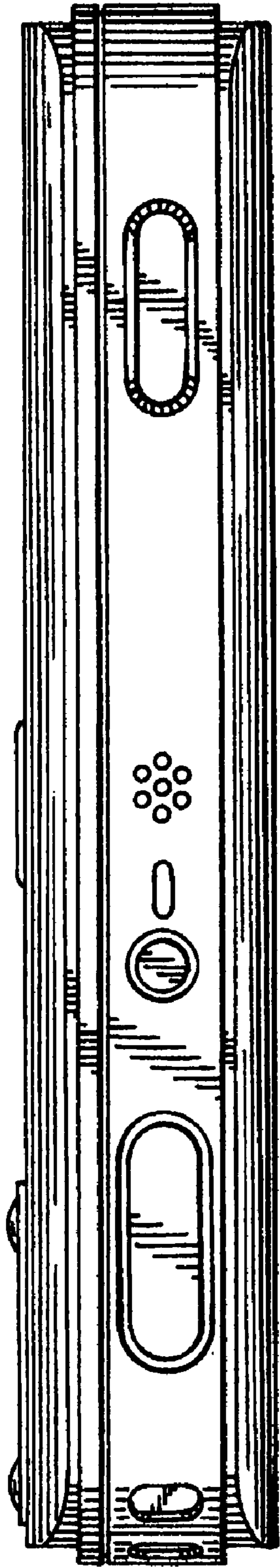
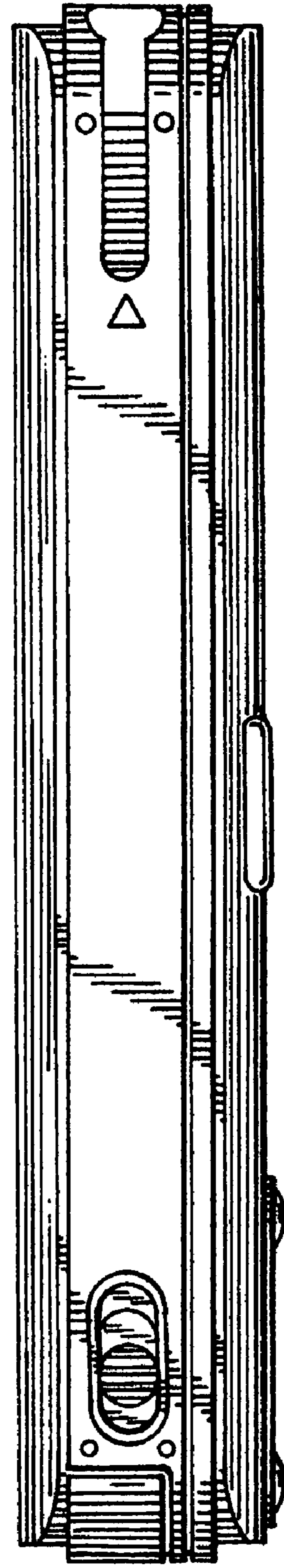


FIG. 7



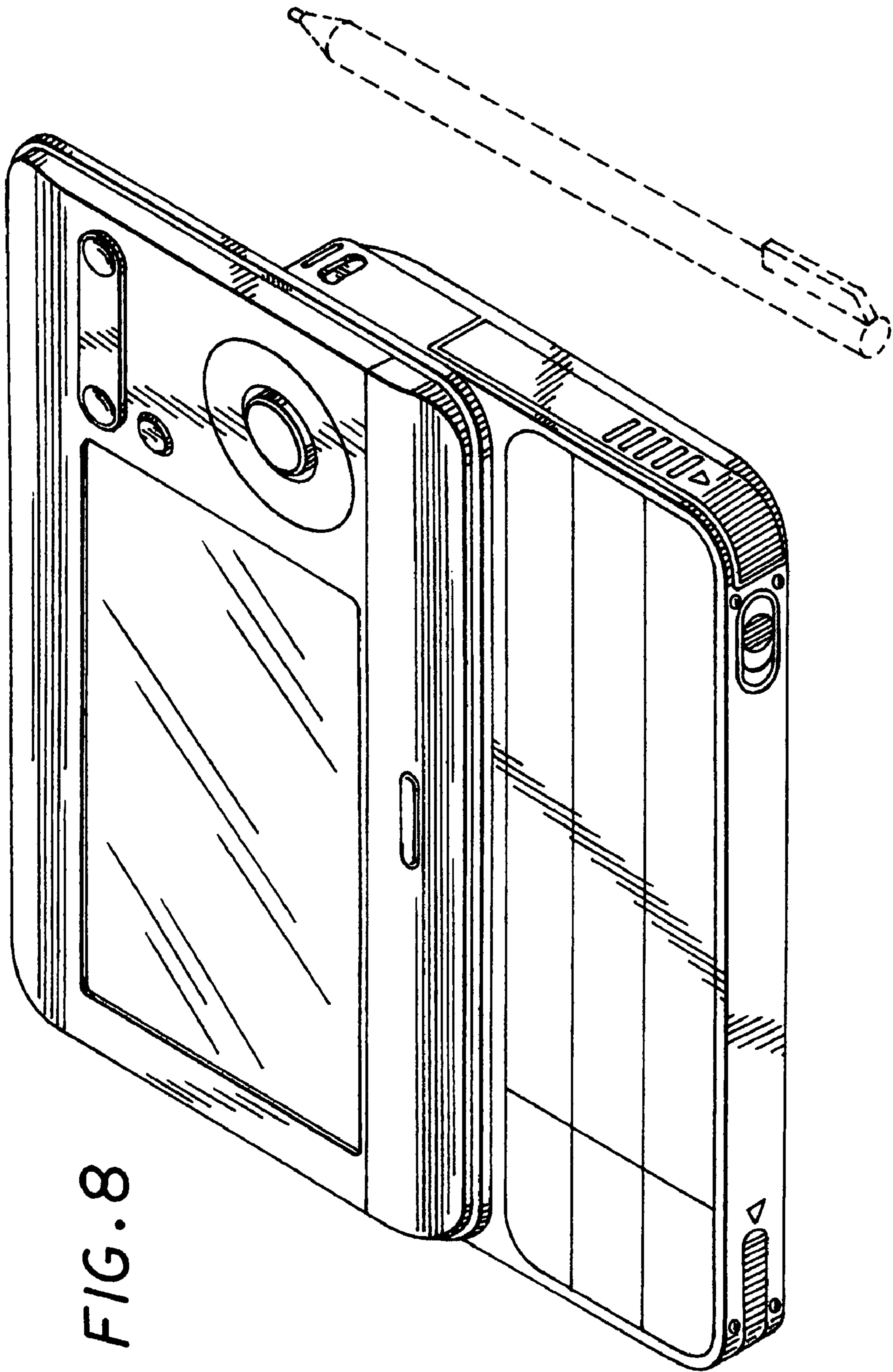


FIG. 8