



US00D552646S

(12) **United States Design Patent**
Bai

(10) **Patent No.:** **US D552,646 S**

(45) **Date of Patent:** **** Oct. 9, 2007**

(54) **DIGITAL CAMERA**

(75) Inventor: **Sung Kyun Bai**, Kyungki-Do (KR)

(73) Assignee: **Samsung Electronics Co., Ltd.** (KR)

(**) Term: **14 Years**

(21) Appl. No.: **29/244,741**

(22) Filed: **Dec. 14, 2005**

(30) **Foreign Application Priority Data**

Sep. 2, 2005 (KR) 30-2005-0029706

(51) **LOC (8) Cl.** **16-01**

(52) **U.S. Cl.** **D16/202; D16/200; D16/218**

(58) **Field of Classification Search** D16/200–206,
D16/208–209, 216–218; 348/373–376, 231.6,
348/231.7; 358/909, 909.1; 396/6, 60, 211,
396/535–541

See application file for complete search history.

(56) **References Cited**

U.S. PATENT DOCUMENTS

- D320,217 S * 9/1991 Shiiba et al. D16/209
- D322,977 S * 1/1992 Yamamoto D16/209
- D438,224 S * 2/2001 Yanagibashi et al. D16/202
- 6,434,337 B1 * 8/2002 Misawa 396/279
- D471,220 S * 3/2003 Hamamura D16/202
- 6,630,958 B2 * 10/2003 Tanaka et al. 348/231.6
- D486,167 S * 2/2004 Sekine et al. D16/202

- D489,385 S * 5/2004 Lin D16/202
- D495,727 S * 9/2004 Dow et al. D16/202
- D525,638 S * 7/2006 Nakamura D16/202
- 2002/0048461 A1 * 4/2002 Tanaka 396/539

* cited by examiner

Primary Examiner—Ian Simmons

Assistant Examiner—Wan Laymon

(74) *Attorney, Agent, or Firm*—Irving Kechner

(57) **CLAIM**

The ornamental design for a digital camera, as shown.

DESCRIPTION

FIG. 1 is a perspective view of a digital camera showing my new design;

FIG. 2 is a front elevational view thereof;

FIG. 3 is a rear elevational view thereof;

FIG. 4 is a left side elevational view, the right side elevational view being a mirror image thereof;

FIG. 5 is a right side elevational view thereof;

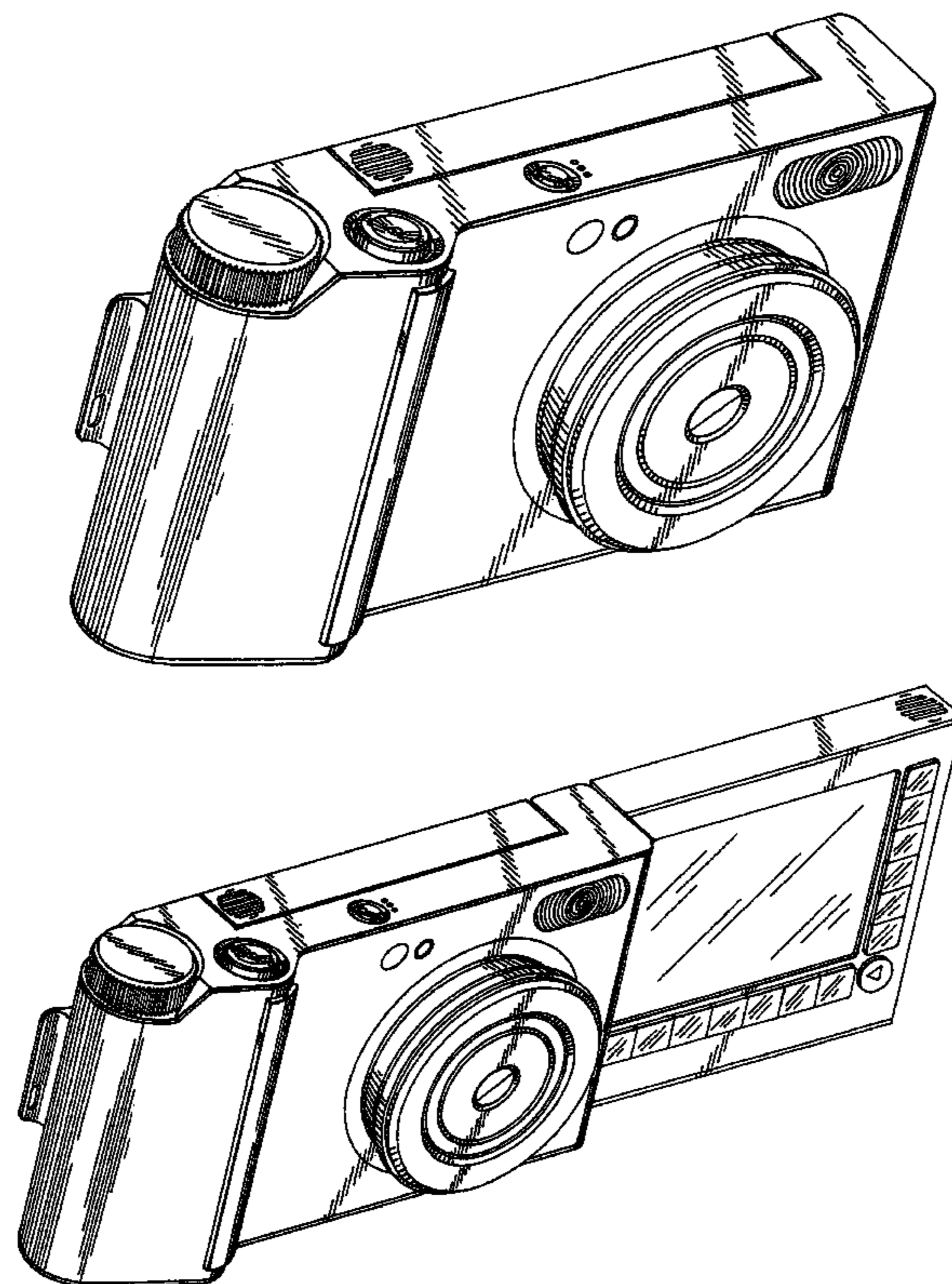
FIG. 6 is a top plan view thereof;

FIG. 7 is a bottom view thereof;

FIG. 8 is a front perspective view, with the rear panel of the LCD window shown in an open position; and,

FIG. 9 is a rear perspective view, with the rear panel of the LCD window shown in a rotating open position.

1 Claim, 8 Drawing Sheets



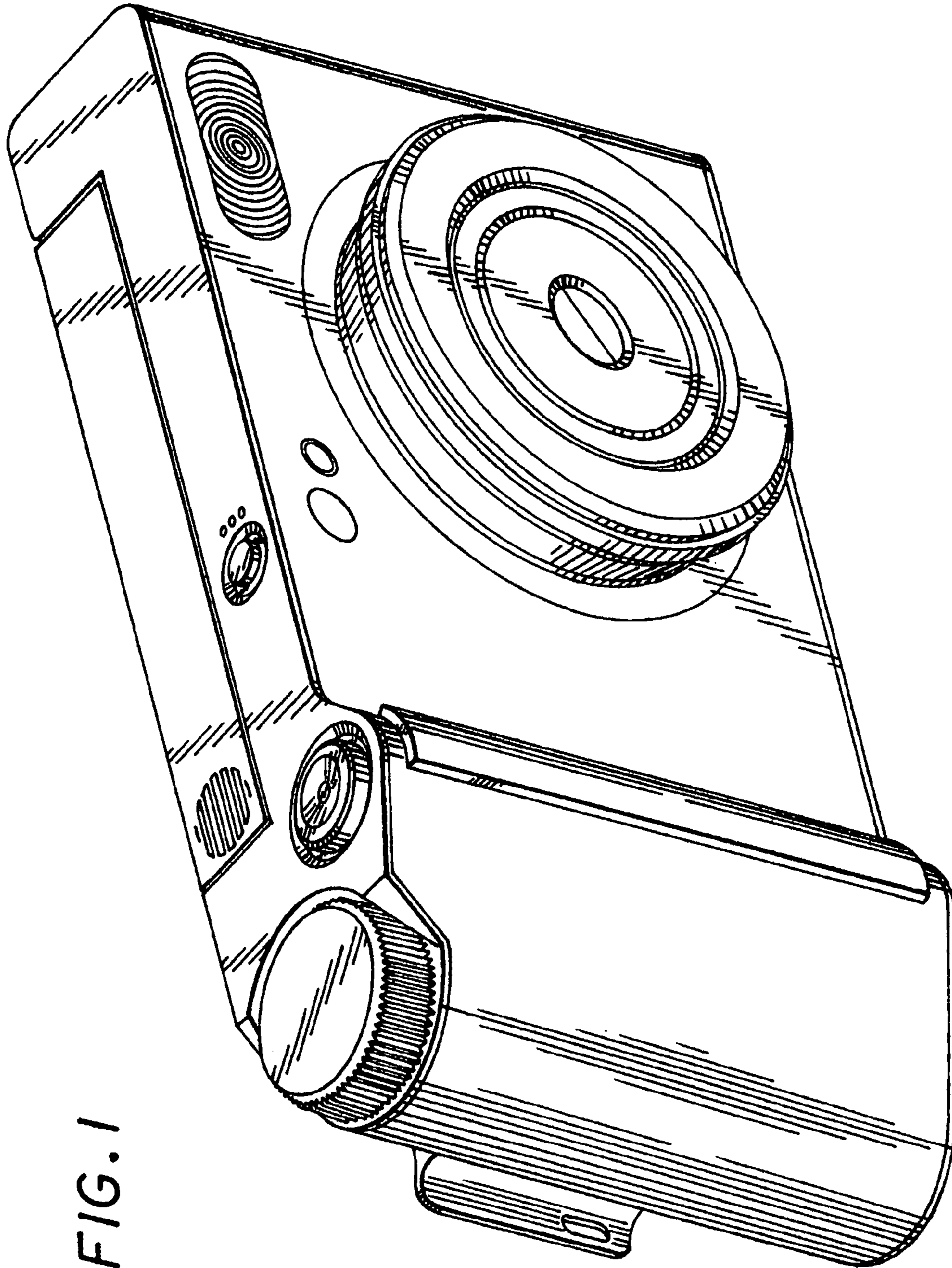


FIG. 1

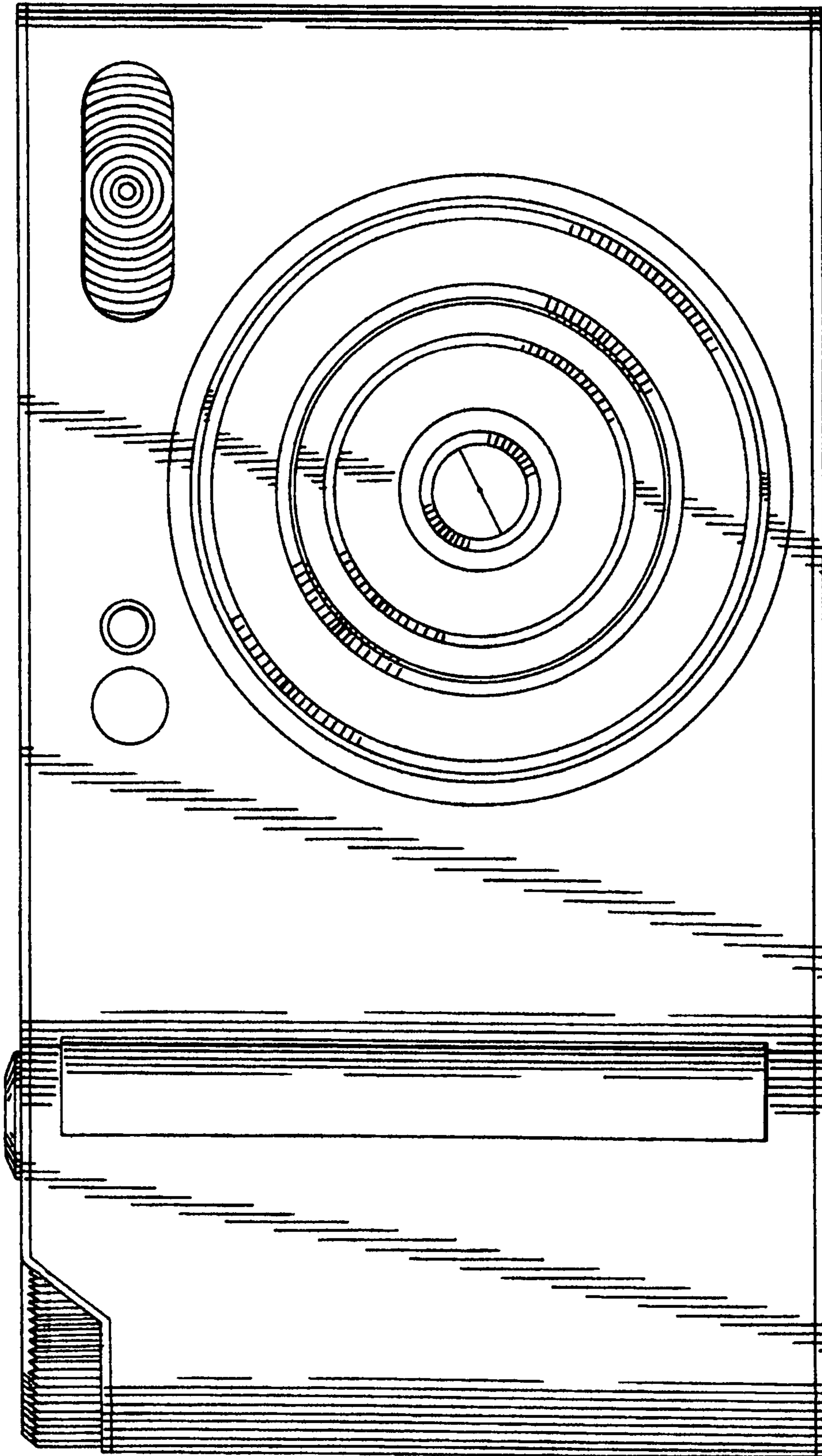


FIG. 2

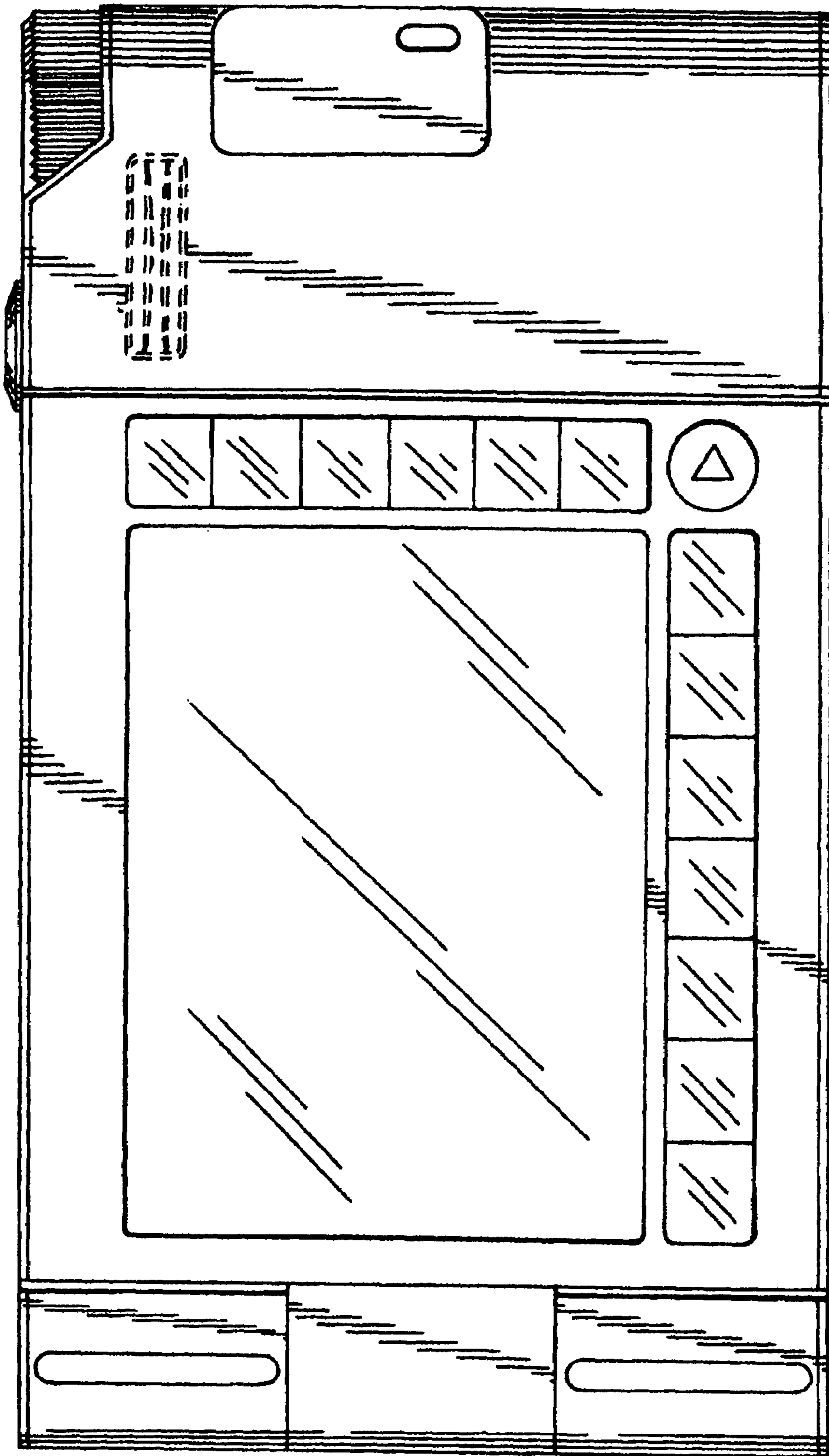


FIG. 3

FIG. 4

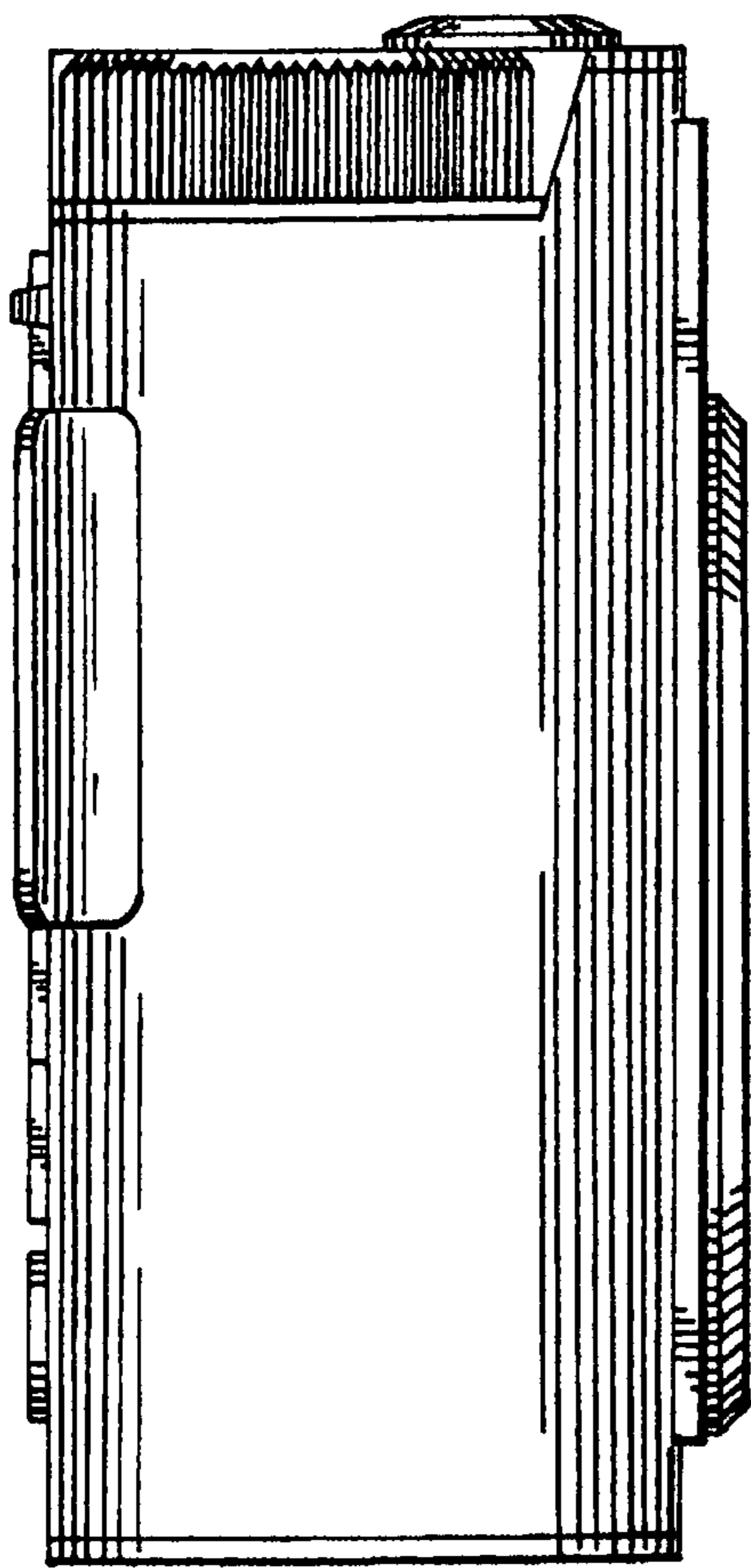


FIG. 5

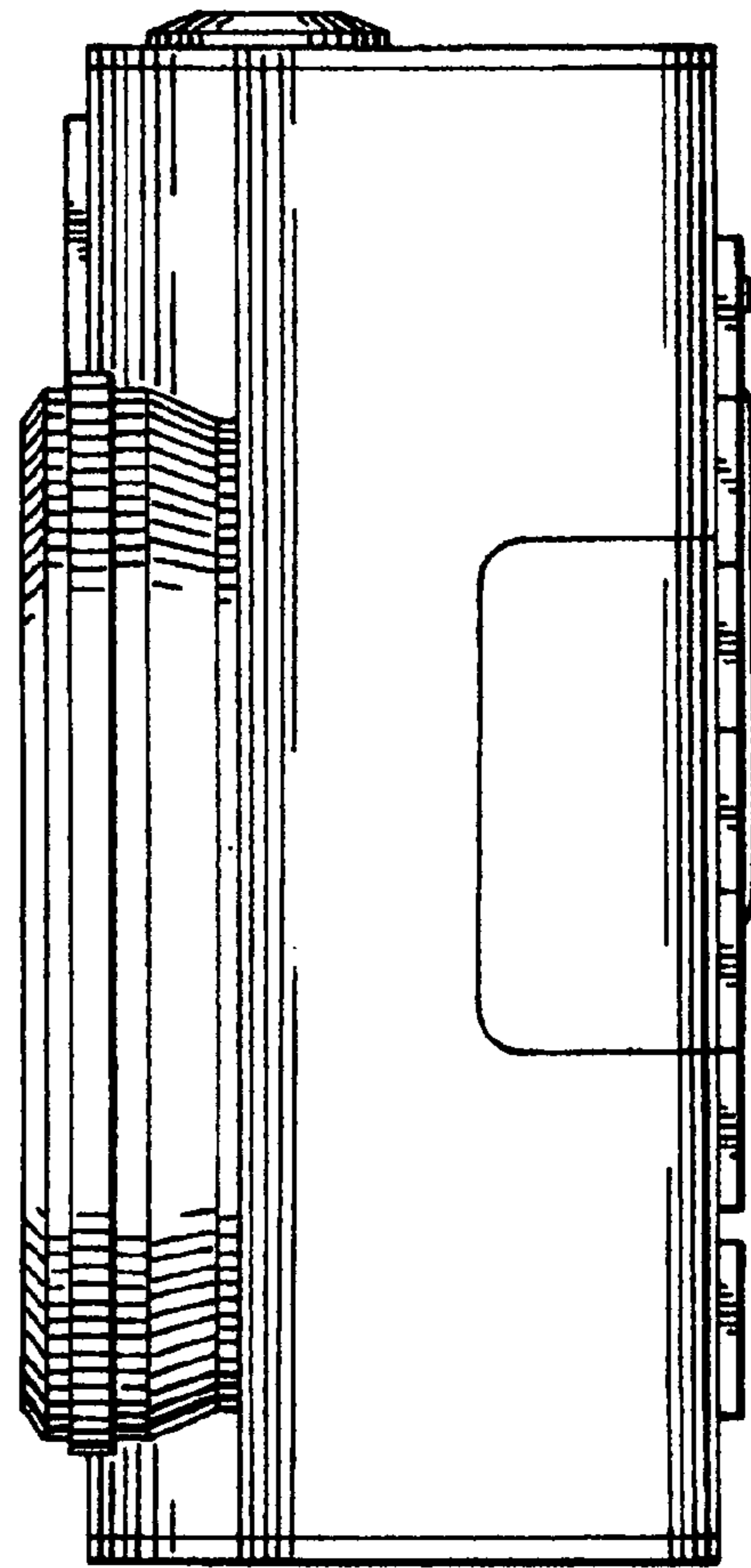


FIG. 6

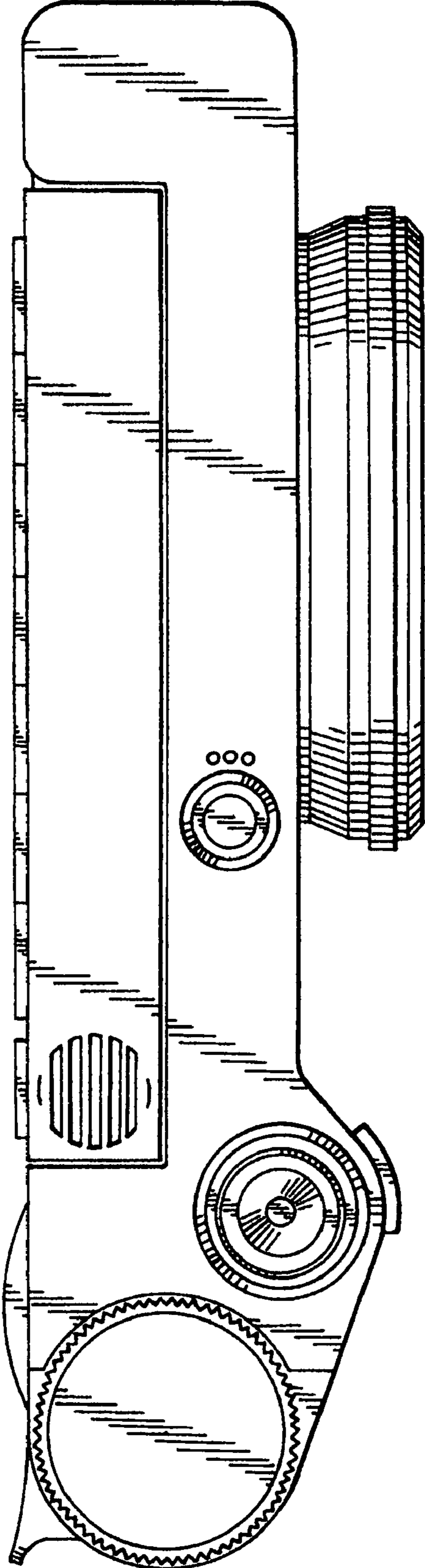
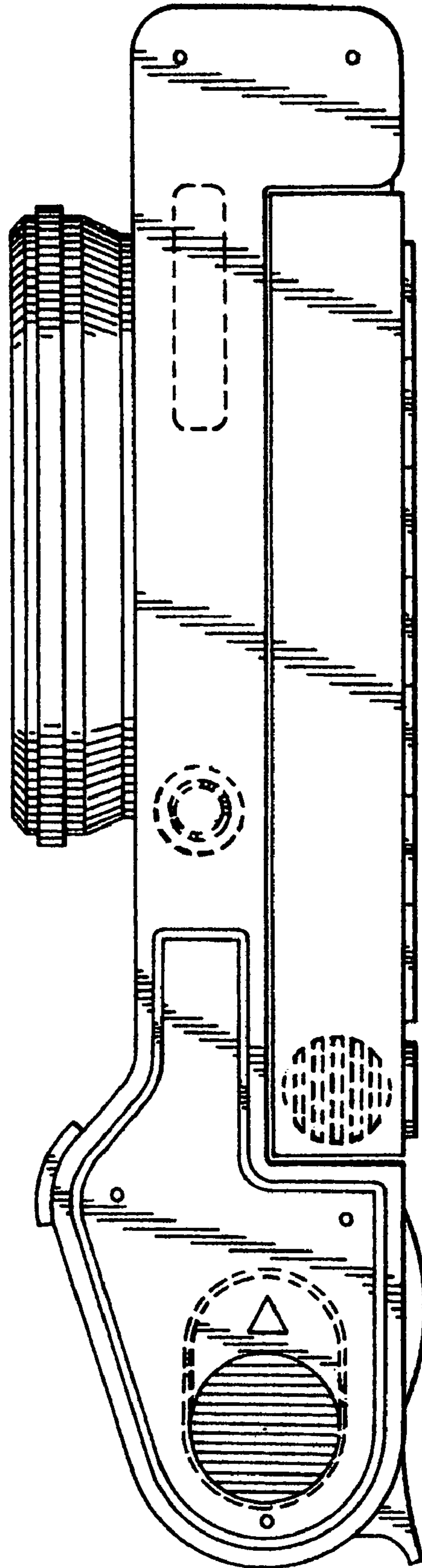


FIG. 7



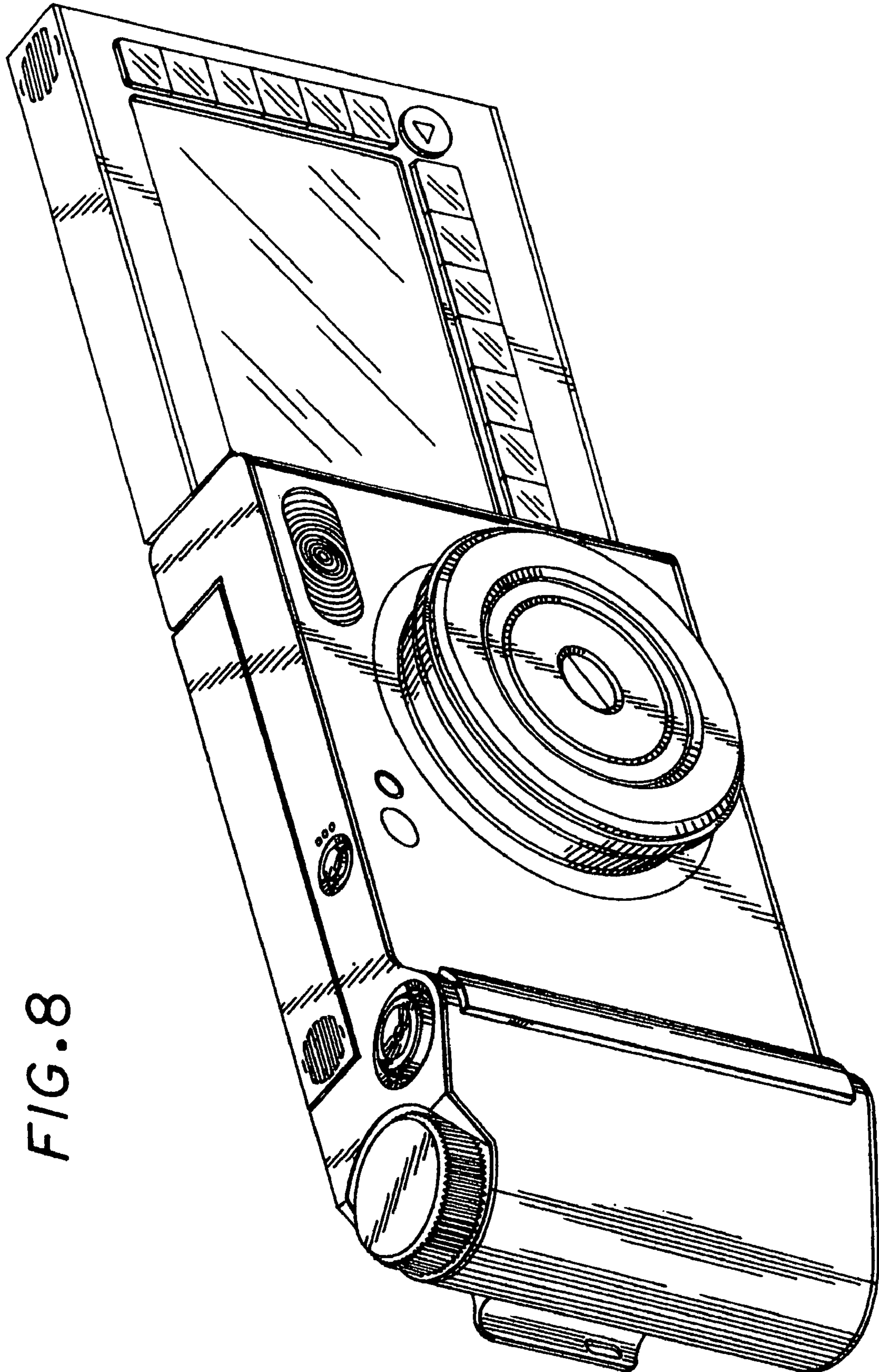


FIG. 8

FIG. 9

