

US00D552645S

(12) **United States Design Patent**
Yip et al.

(10) **Patent No.:** **US D552,645 S**

(45) **Date of Patent:** **** Oct. 9, 2007**

(54) **HANDLE FOR A MAGNIFIER**

(74) *Attorney, Agent, or Firm*—Carmody & Torrance LLP

(75) Inventors: **Gin Fai Yip**, North Point (HK); **Bryan Yip**, Kowloon (HK)

(57) **CLAIM**

(73) Assignee: **Leading Extreme Optimist Industries, Ltd.**, Chai Wan (HK)

The ornamental design for a handle for a magnifier, as shown and described.

(**) Term: **14 Years**

DESCRIPTION

(21) Appl. No.: **29/264,455**

(22) Filed: **Aug. 10, 2006**

(51) **LOC (8) Cl.** **16-06**

(52) **U.S. Cl.** **D16/136**

(58) **Field of Classification Search** D16/130,
D16/135, 136; 359/708, 737, 802–804, 806,
359/807, 811–813, 815–817, 819, 823, 798–801
See application file for complete search history.

FIG. 1 is a perspective view of a handle for a magnifier showing our new design;

FIG. 2 is a first end elevational view of FIG. 1;

FIG. 3 is a second end elevational view of FIG. 1;

FIG. 4 is a right side elevational view of FIG. 1;

FIG. 5 is a left side elevational view of FIG. 1;

FIG. 6 is a top plan view of FIG. 1;

FIG. 7 is a bottom plan view of FIG. 1;

FIG. 8 is a perspective view of the handle for a magnifier in an extended position; and,

FIG. 9 is a side elevational view of the handle for a magnifier illustrating an alternative extended position.

The dotted lines are intended to show features that are environmental only and form no part of the claimed design. Also, there is no intent to claim any surface indicia as all such surface lines are merely intended to be shading lines.

(56) **References Cited**

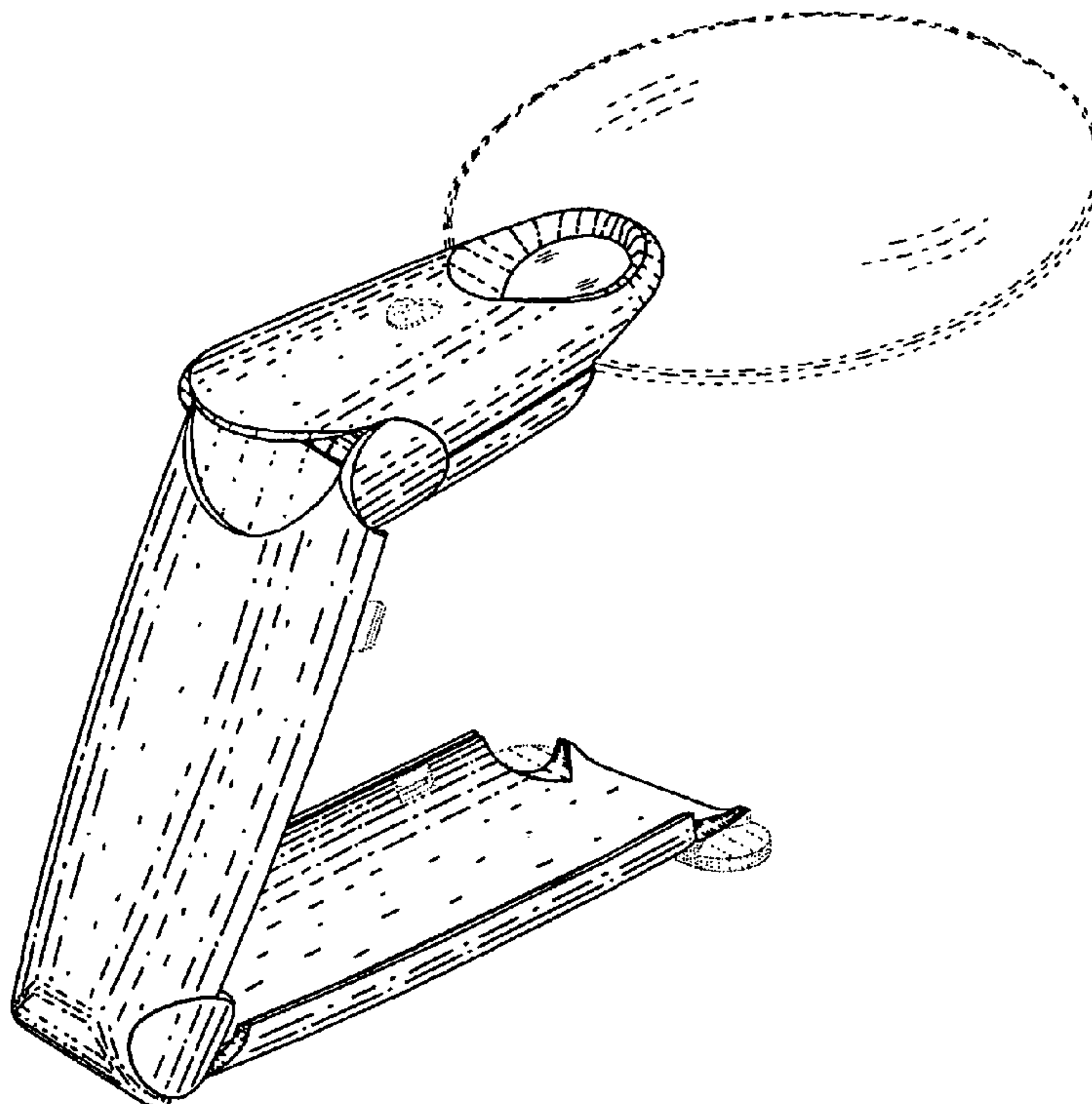
U.S. PATENT DOCUMENTS

D306,175 S *	2/1990	Steel et al.	D16/135
D417,682 S *	12/1999	Goff et al.	D16/136
D424,591 S *	5/2000	Goff et al.	D16/135
6,476,984 B1 *	11/2002	Ringdahl	359/803
D544,008 S *	6/2007	Stewart	D16/135

* cited by examiner

Primary Examiner—Paula A. Greene

1 Claim, 7 Drawing Sheets



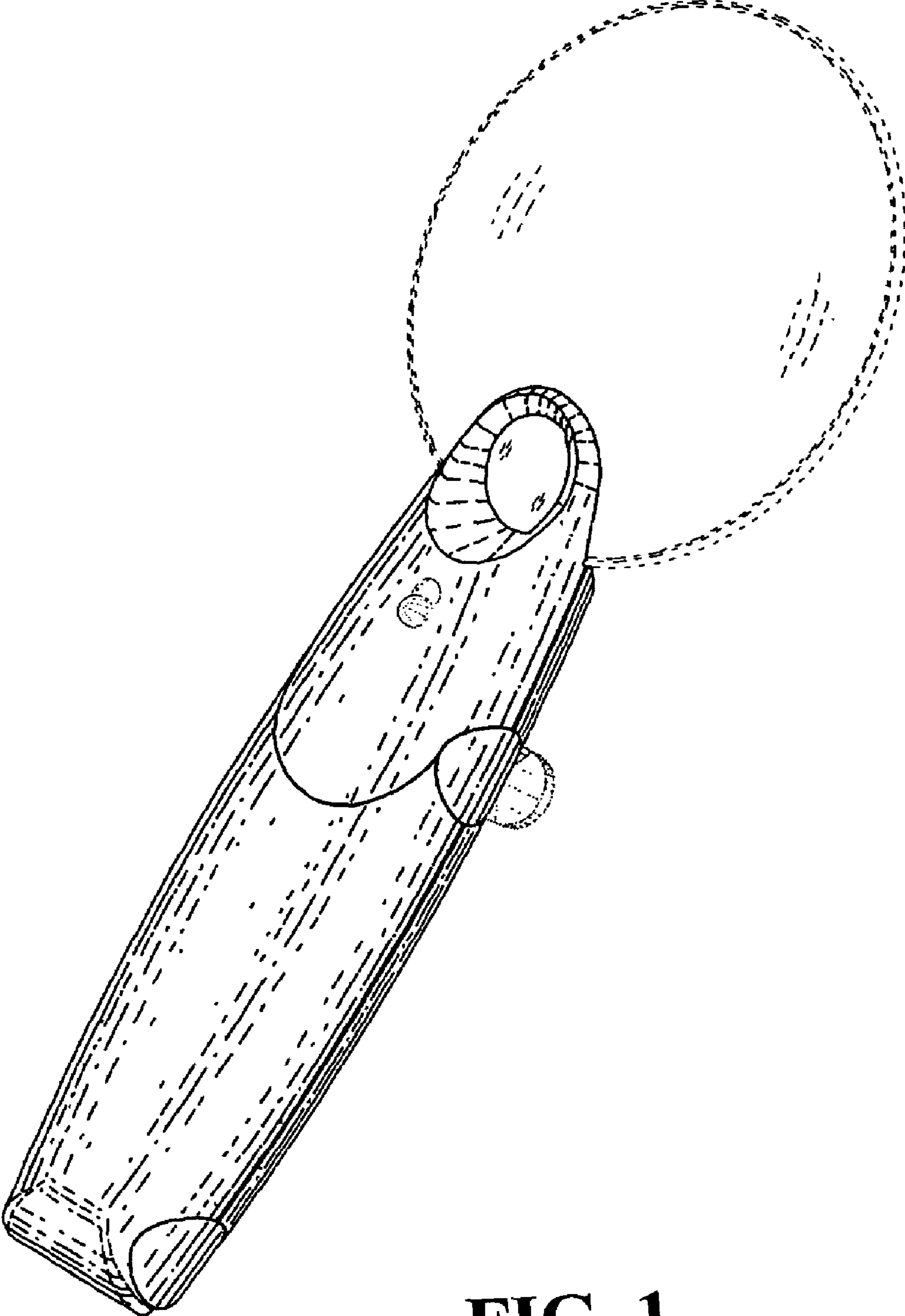


FIG. 1

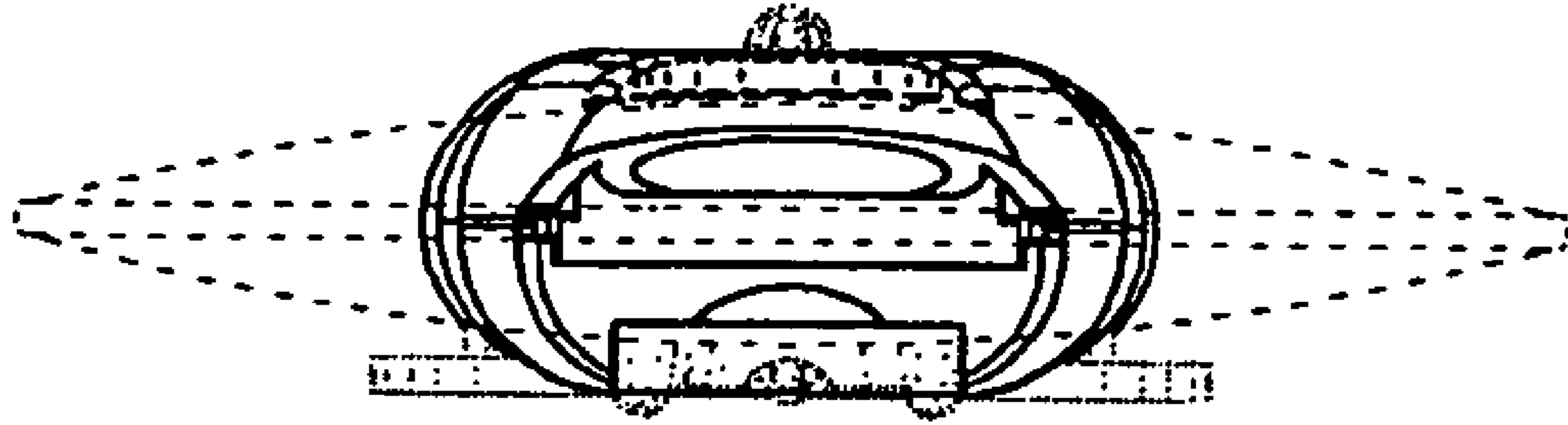


FIG. 2

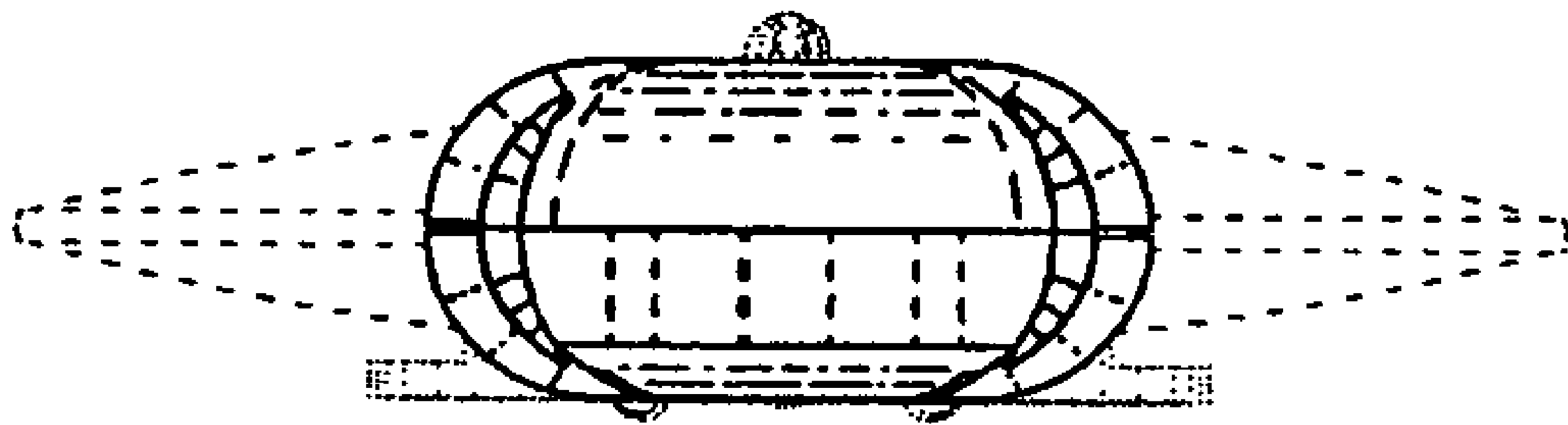


FIG. 3

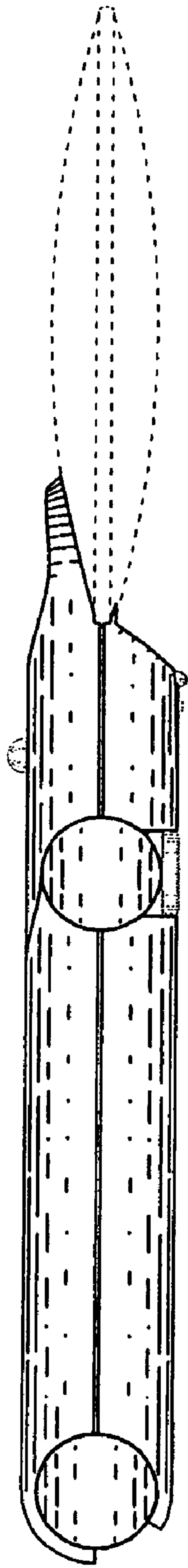


FIG. 4

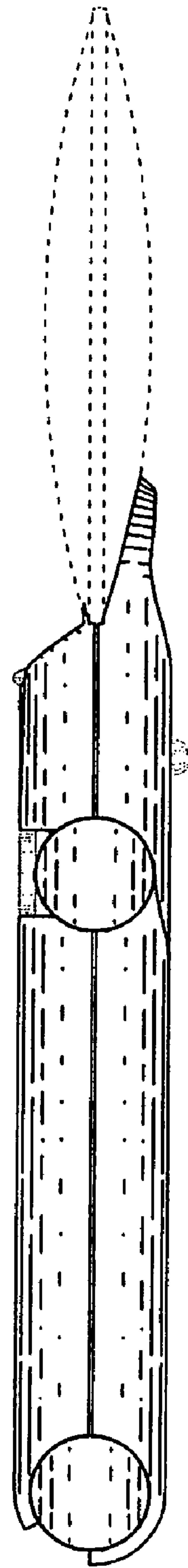


FIG. 5

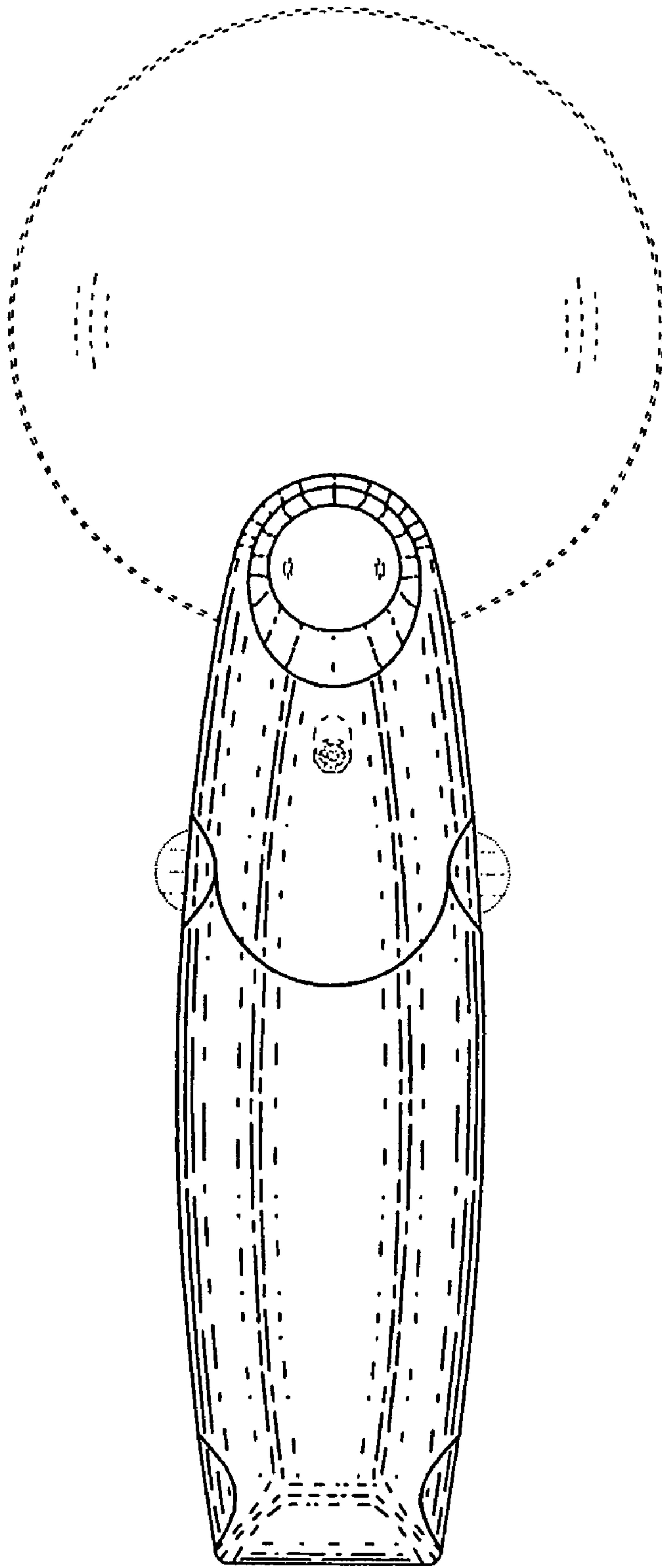


FIG. 6

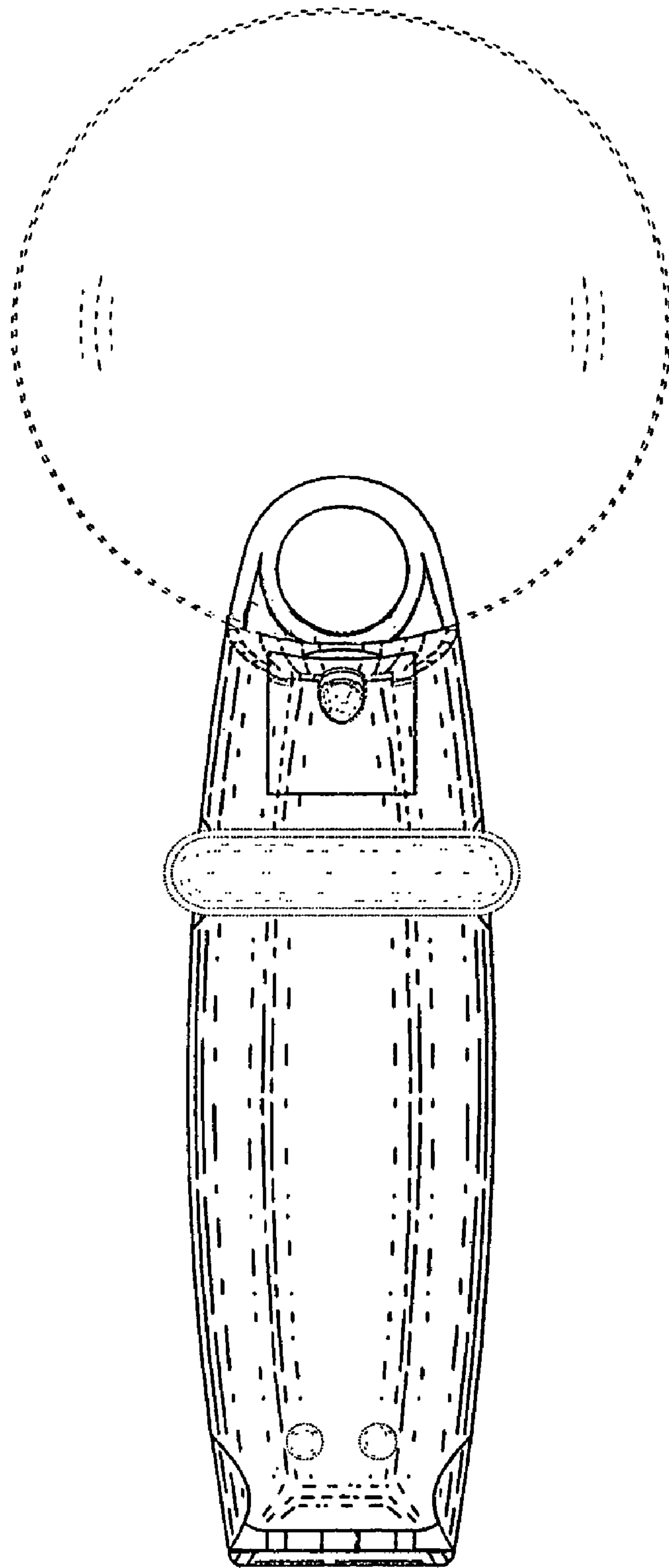


FIG. 7

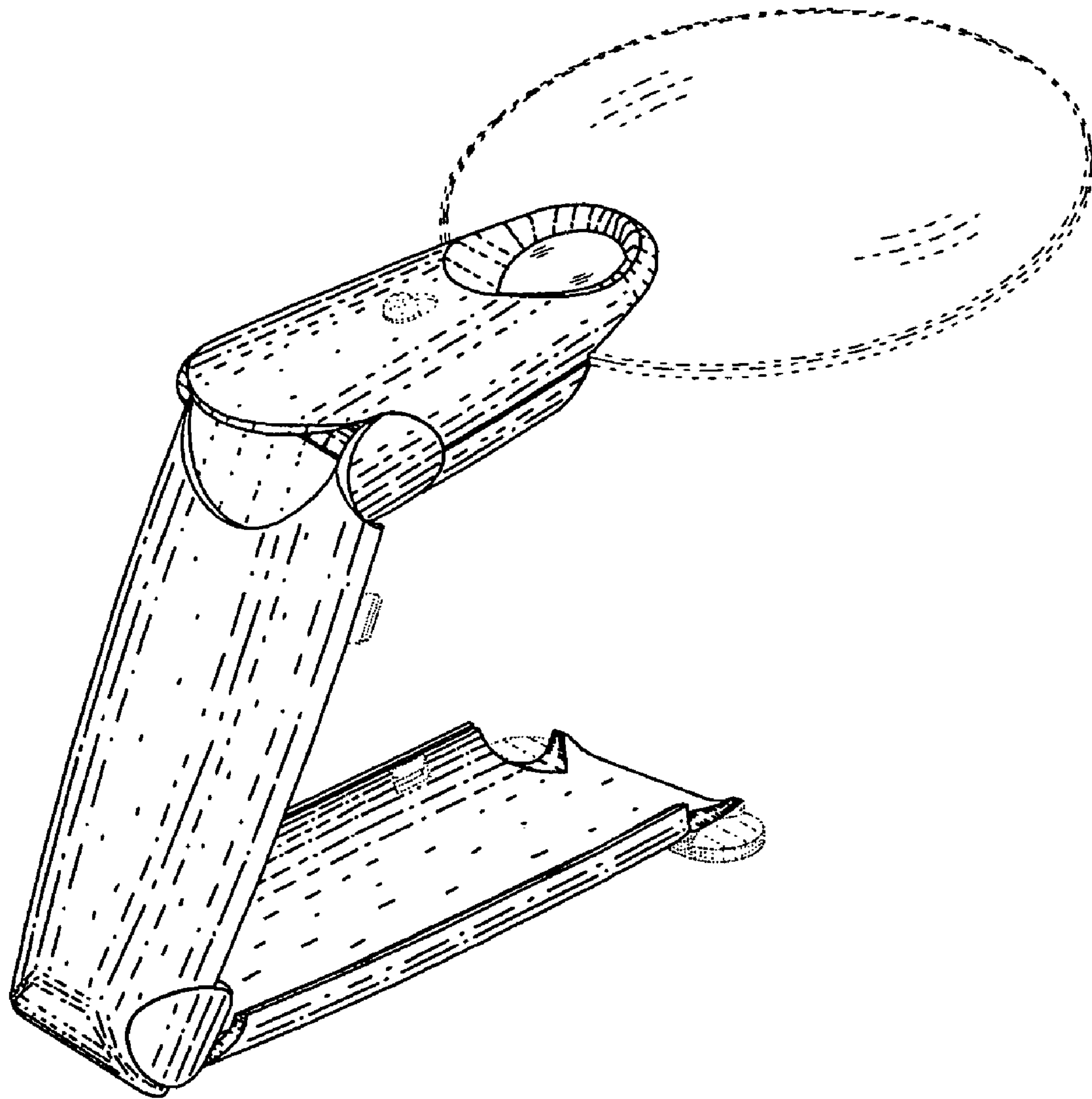


FIG. 8

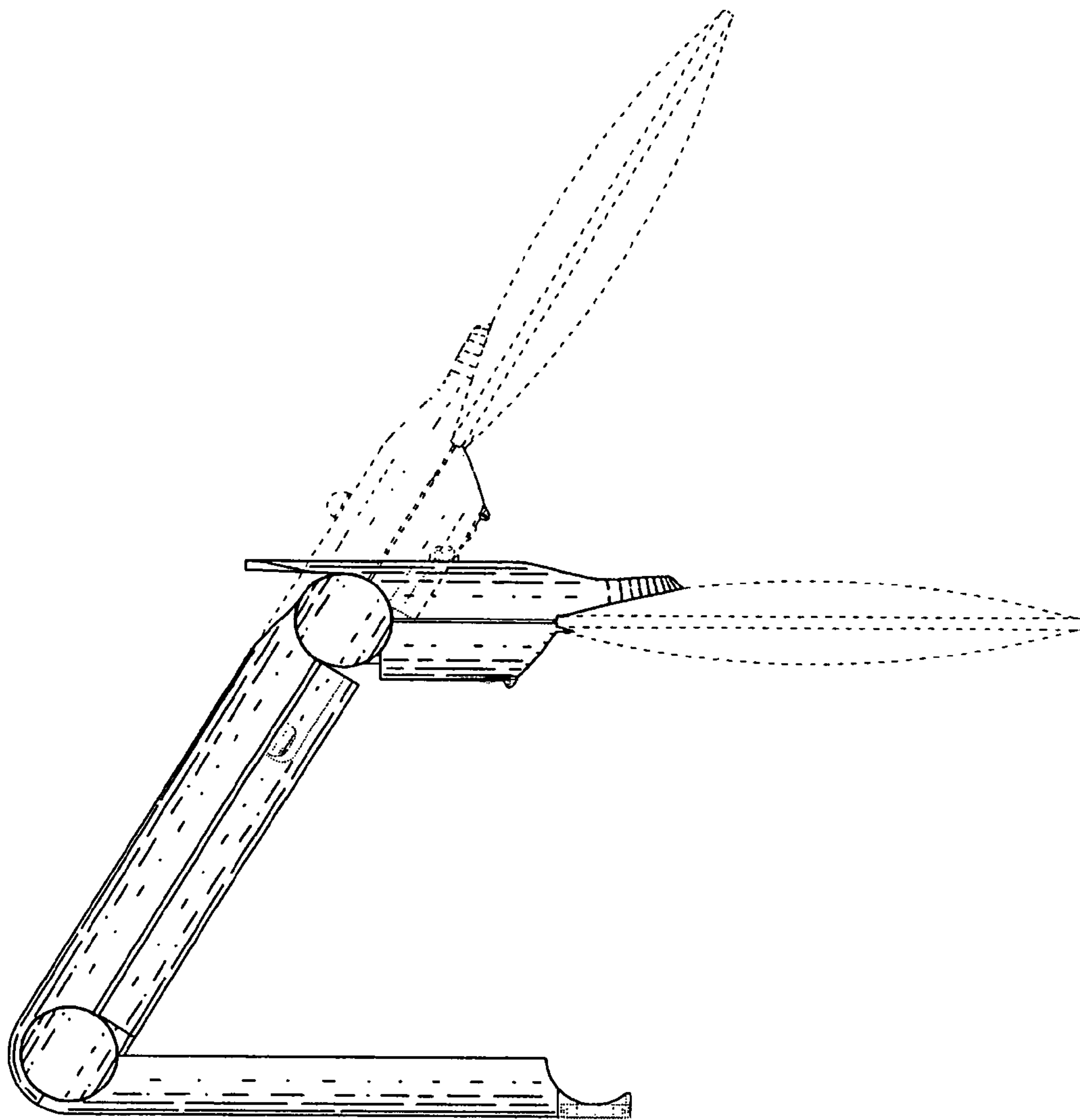


FIG. 9