



US00D552643S

(12) **United States Design Patent**
Bonomi

(10) **Patent No.:** **US D552,643 S**

(45) **Date of Patent:** **** Oct. 9, 2007**

(54) **ELECTRIC ACTUATOR**

(75) Inventor: **Aldo Bonomi**, Brozzo (IT)

(73) Assignee: **Valbia S.r.l.**, Brozzo (BS) (IT)

(**) Term: **14 Years**

(21) Appl. No.: **29/275,261**

(22) Filed: **Dec. 19, 2006**

(30) **Foreign Application Priority Data**

Jun. 19, 2006 (EM) 000546270-0001

(51) **LOC (8) Cl.** **15-99**

(52) **U.S. Cl.** **D15/199; D15/149**

(58) **Field of Classification Search** D15/149,
D15/199; 74/89.15, 490.09; 310/20, 80
See application file for complete search history.

(56) **References Cited**

U.S. PATENT DOCUMENTS

4,905,528 A * 3/1990 Kawaguchi et al. 74/102
D399,830 S * 10/1998 Nagai et al. D13/158
D412,917 S * 8/1999 Nagai et al. D15/199
D413,129 S * 8/1999 Nagai et al. D15/199
6,768,234 B2 * 7/2004 Aoki 310/68 A

6,885,119 B2 * 4/2005 Aoki 310/78
2003/0173843 A1 * 9/2003 Sakai et al. 310/71
2006/0019522 A1 * 1/2006 Kanou et al. 439/260

* cited by examiner

Primary Examiner—Antoine D. Davis

Assistant Examiner—Patricia Palasik

(74) *Attorney, Agent, or Firm*—Reising, Ethington, Barnes, Kisselle PC

(57) **CLAIM**

The ornamental design for an electric actuator, substantially, as shown and described.

DESCRIPTION

FIG. 1 shows a perspective view of an electric actuator from the front;

FIG. 2 shows a right side view;

FIG. 3 shows a rear view;

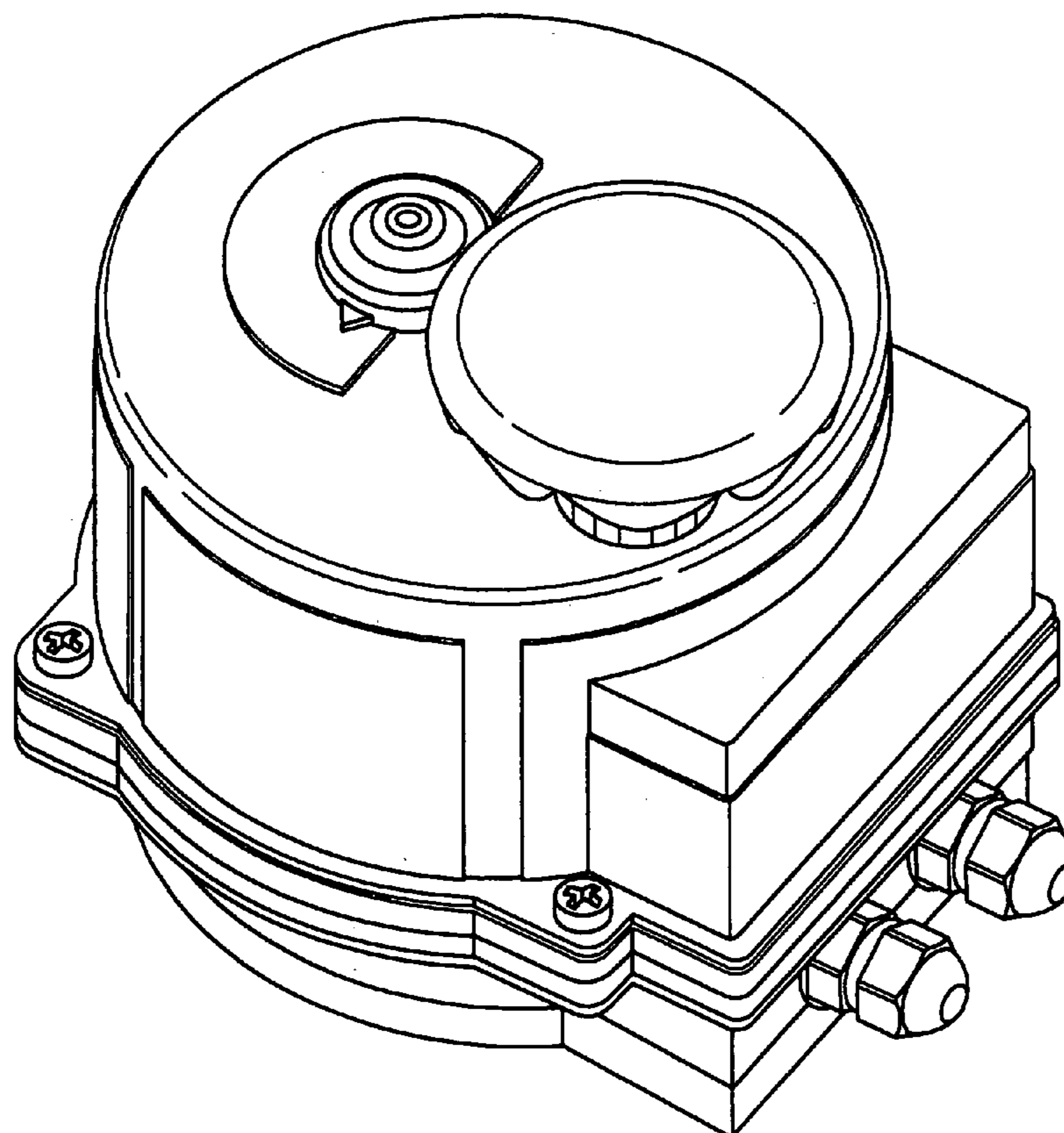
FIG. 4 shows a left side view;

FIG. 5 shows a front view;

FIG. 6 shows a top view; and,

FIG. 7 shows a bottom view;

1 Claim, 4 Drawing Sheets



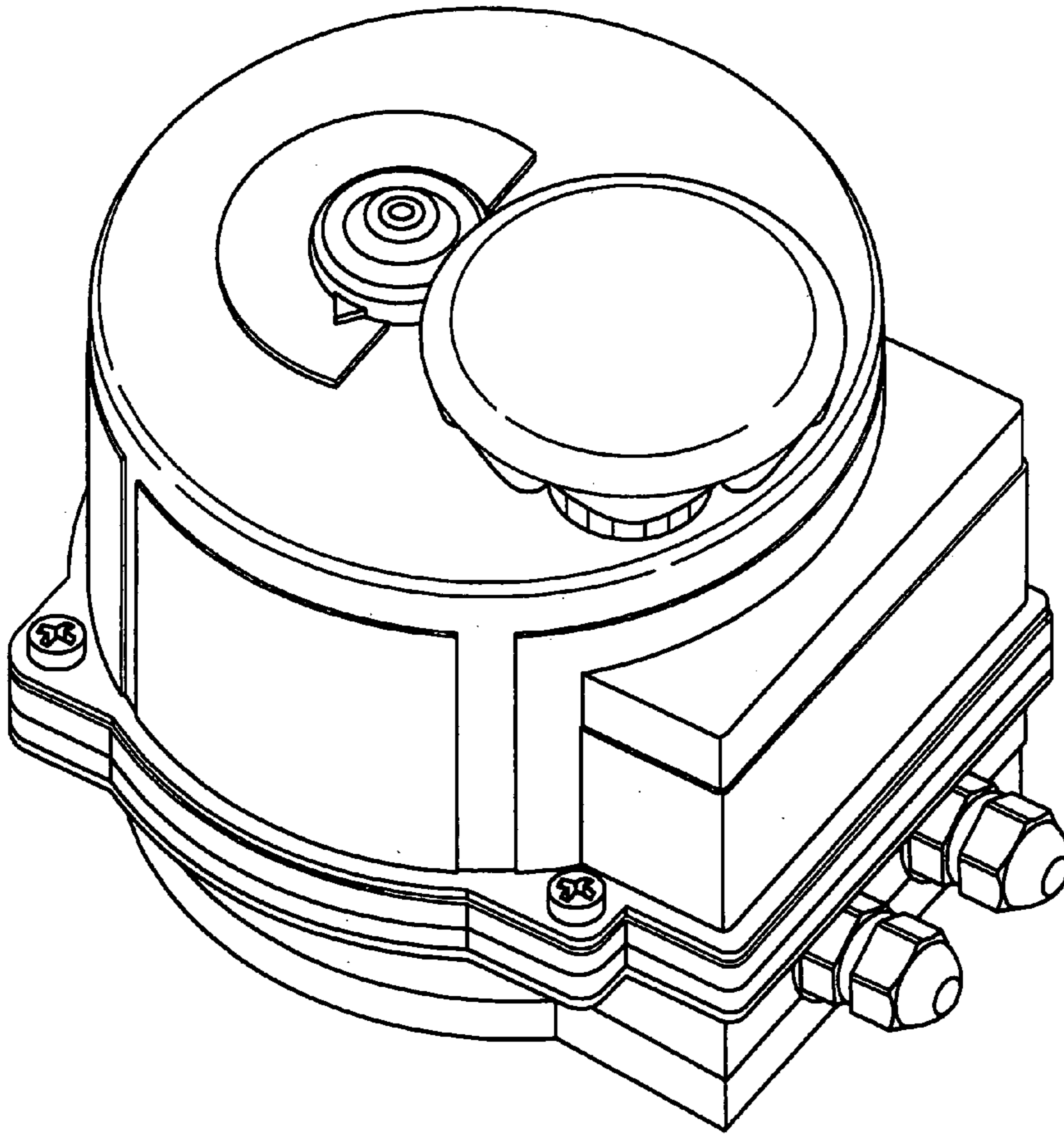


FIG. 1

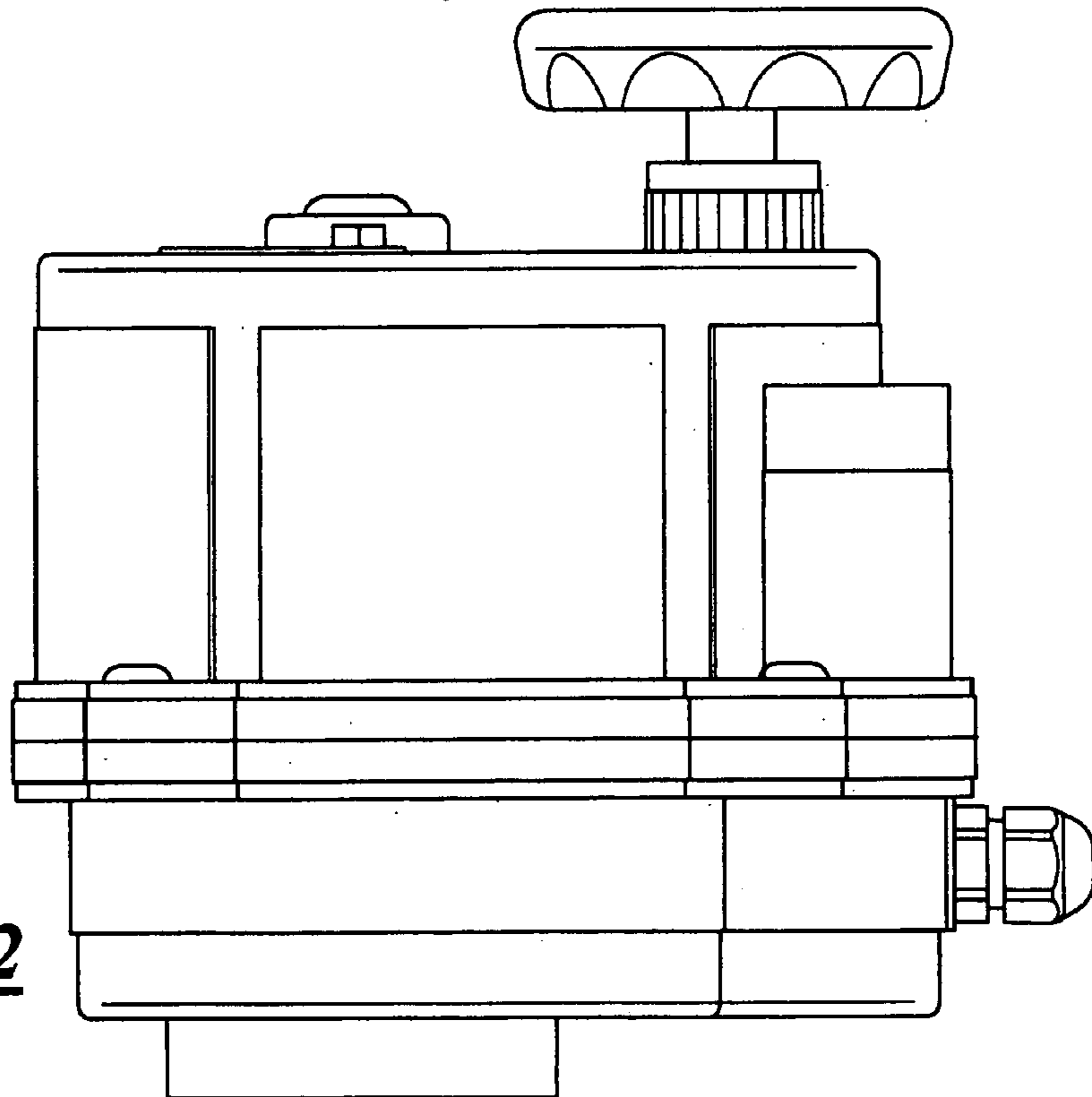


FIG. 2

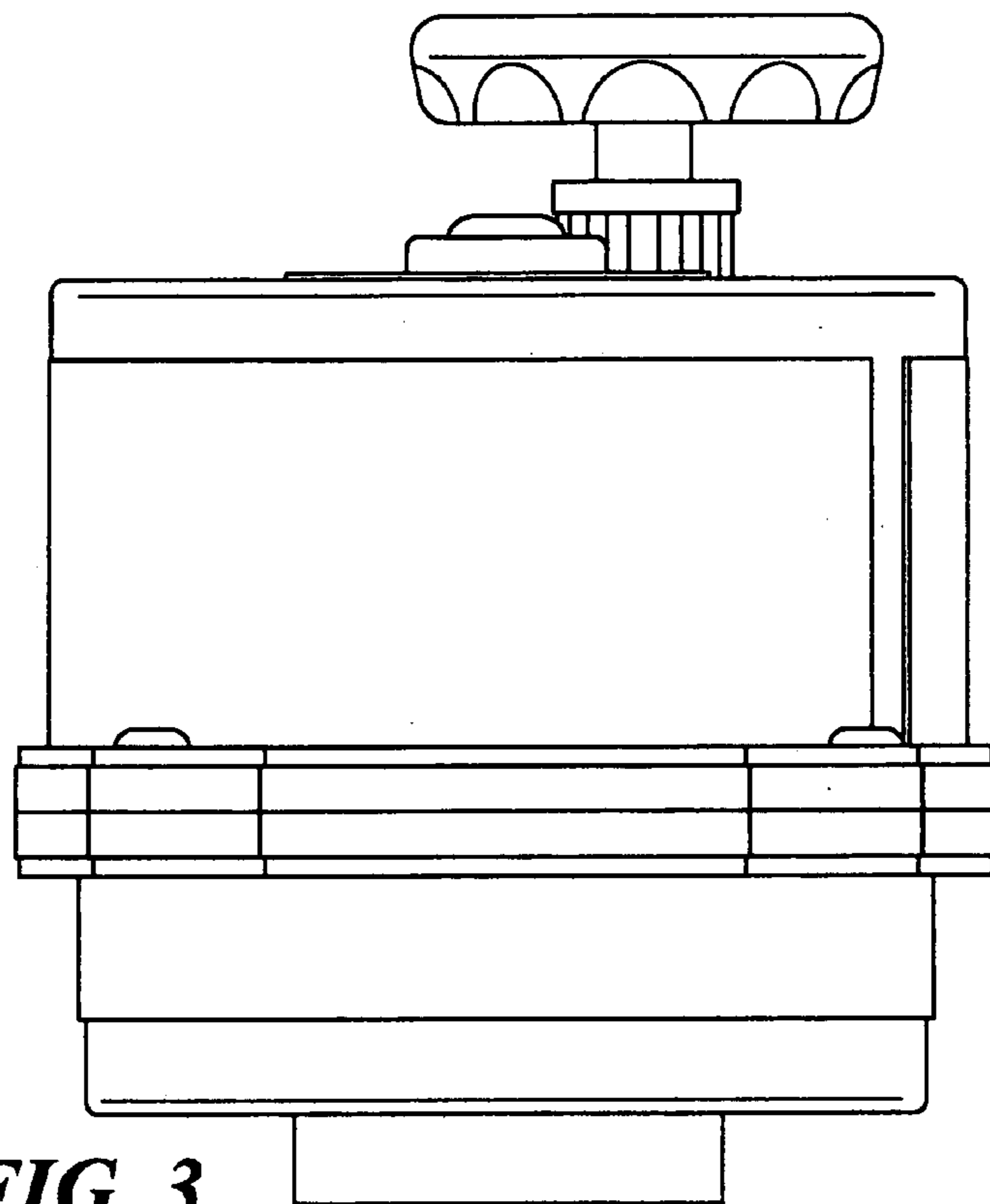


FIG. 3

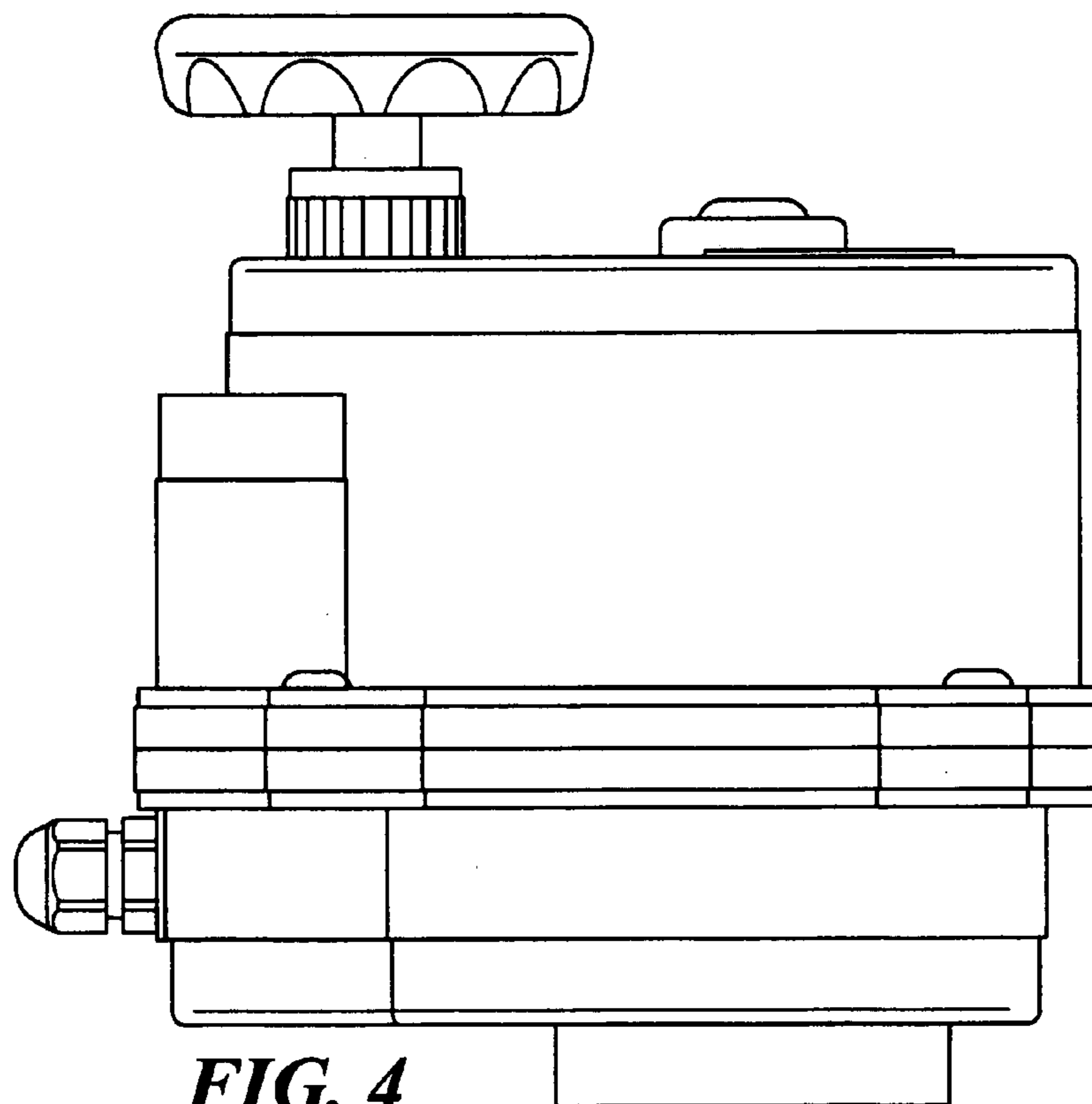


FIG. 4

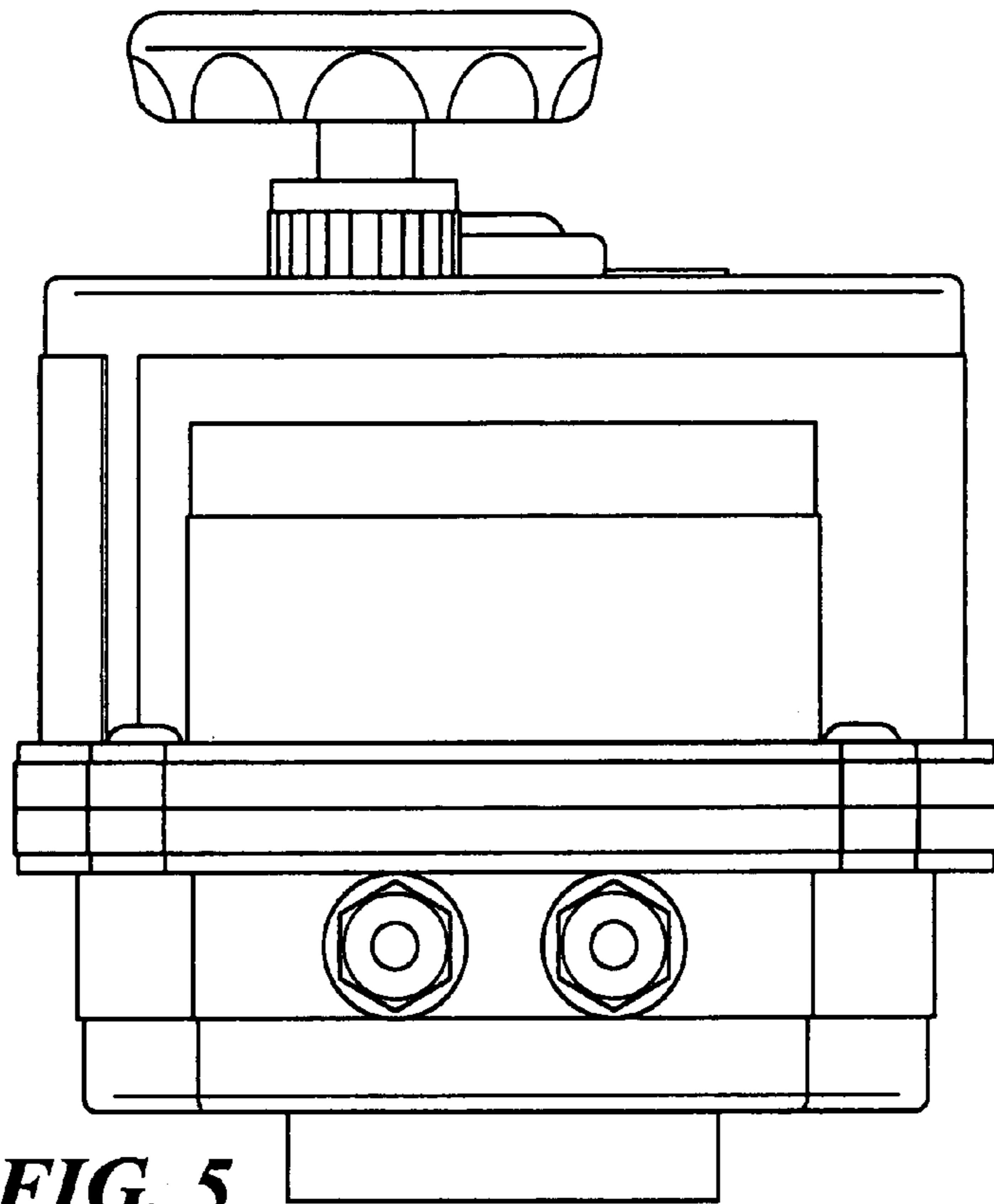


FIG. 5

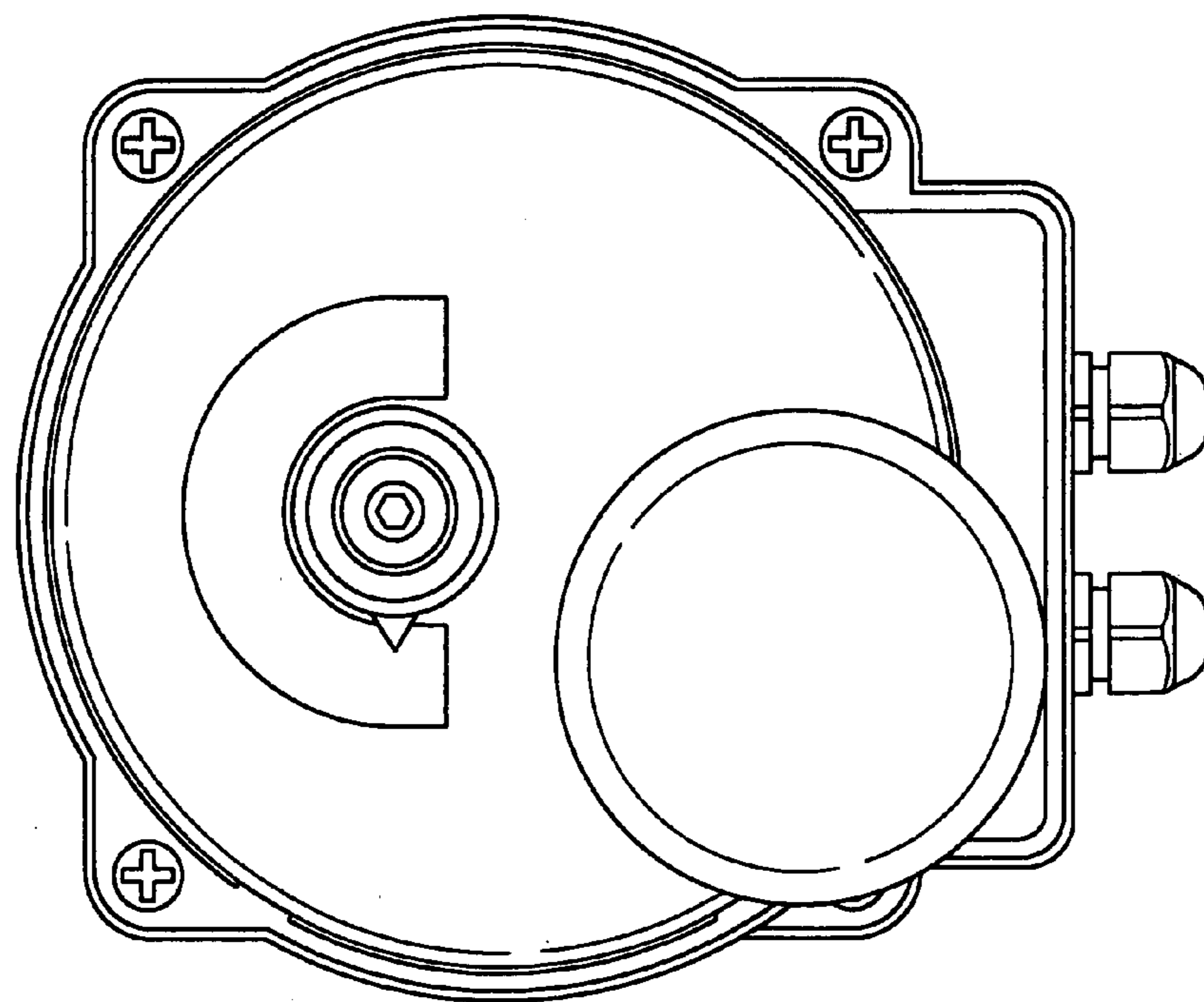


FIG. 6

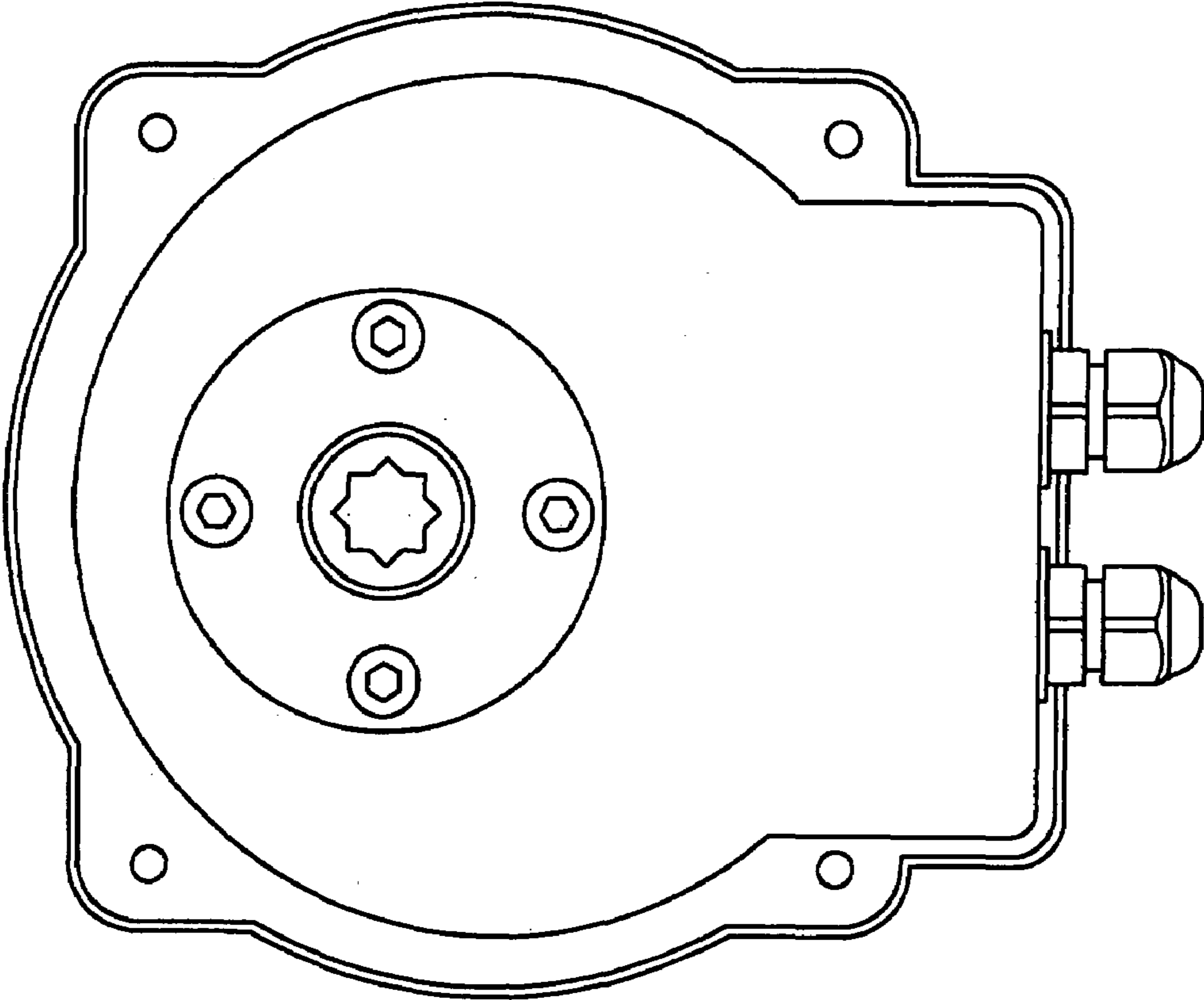


FIG. 7