



US00D552642S

(12) **United States Design Patent**
Scheinman

(10) **Patent No.:** **US D552,642 S**

(45) **Date of Patent:** **** Oct. 9, 2007**

(54) **STUFFING MACHINE FOR TOY ANIMALS**

(75) Inventor: **Stuart Scheinman**, Las Vegas, NV
(US)

(73) Assignee: **Animalnd, Inc.**, Las Vegas, NV (US)

(**) Term: **14 Years**

(21) Appl. No.: **29/240,551**

(22) Filed: **Oct. 14, 2005**

(51) **LOC (8) Cl.** **15-09**

(52) **U.S. Cl.** **D15/145**

(58) **Field of Classification Search** D15/66,
D15/145; 19/85, 305; 53/428; 141/67;
222/412; 406/99, 173

See application file for complete search history.

(56) **References Cited**

U.S. PATENT DOCUMENTS

5,372,474 A * 12/1994 Miller 415/1
6,037,679 A * 3/2000 Pirillo 307/125
D427,209 S * 6/2000 Collida et al. D15/66
6,557,491 B1 * 5/2003 Weiser et al. 119/57.8

D490,089 S * 5/2004 Box et al. D15/66
2006/0163291 A1 * 7/2006 Bartleucci et al. 222/412

* cited by examiner

Primary Examiner—Antoine D. Davis

Assistant Examiner—Patricia Palasik

(74) *Attorney, Agent, or Firm*—Seth Natter; Natter & Natter

(57) **CLAIM**

The ornamental design for a stuffing machine for toy animals, as shown and described.

DESCRIPTION

FIG. 1 is a perspective view of a stuffing machine for toy animals showing my new design;

FIG. 2 is a side elevational view thereof;

FIG. 3 is an elevational view showing the opposite side;

FIG. 4 is a top plan view thereof; and,

FIG. 5 is a rear view thereof.

The bottom is plain and unornamented and the broken line showings form no part of the claimed design.

1 Claim, 3 Drawing Sheets

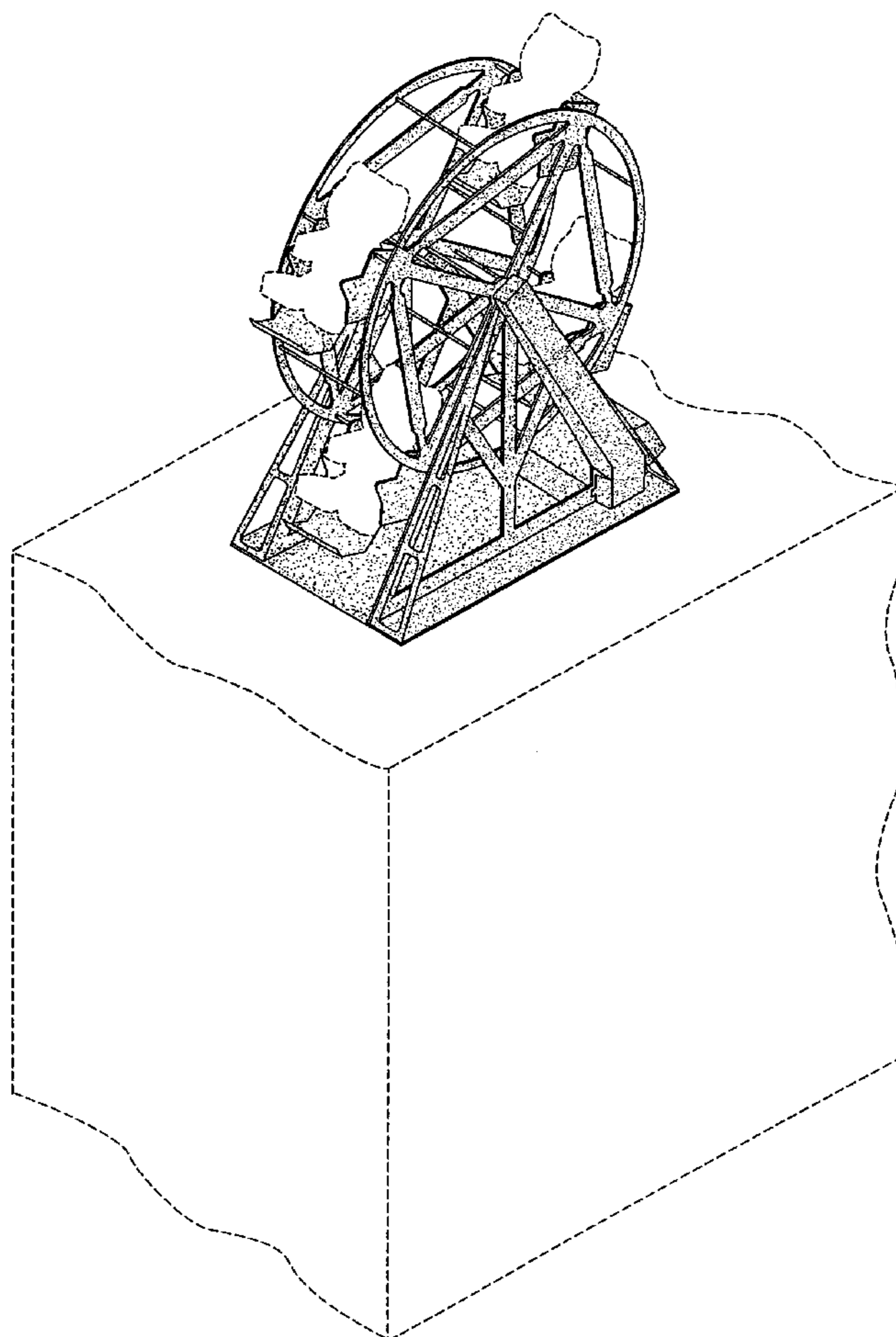


Fig. 1

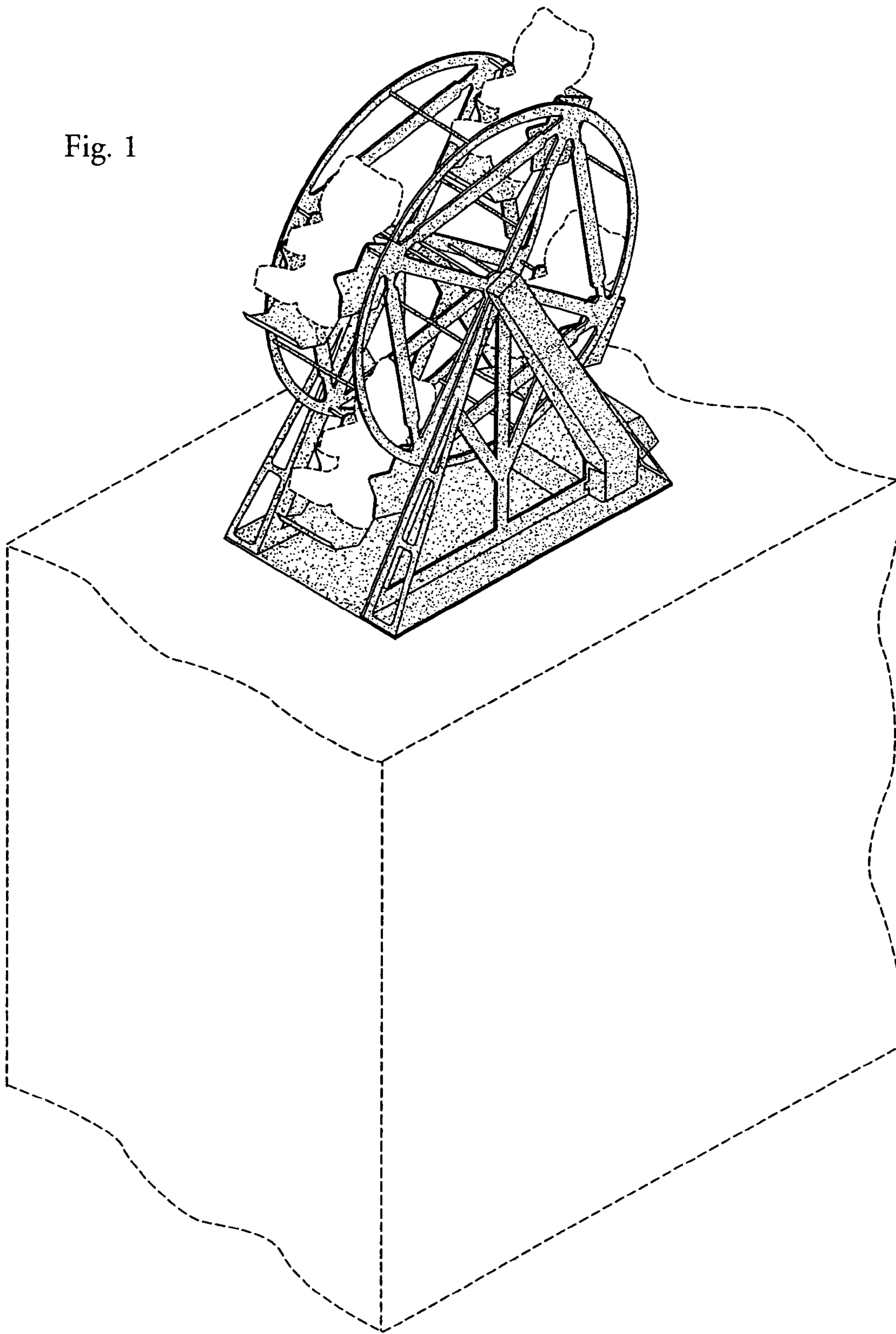


Fig. 2

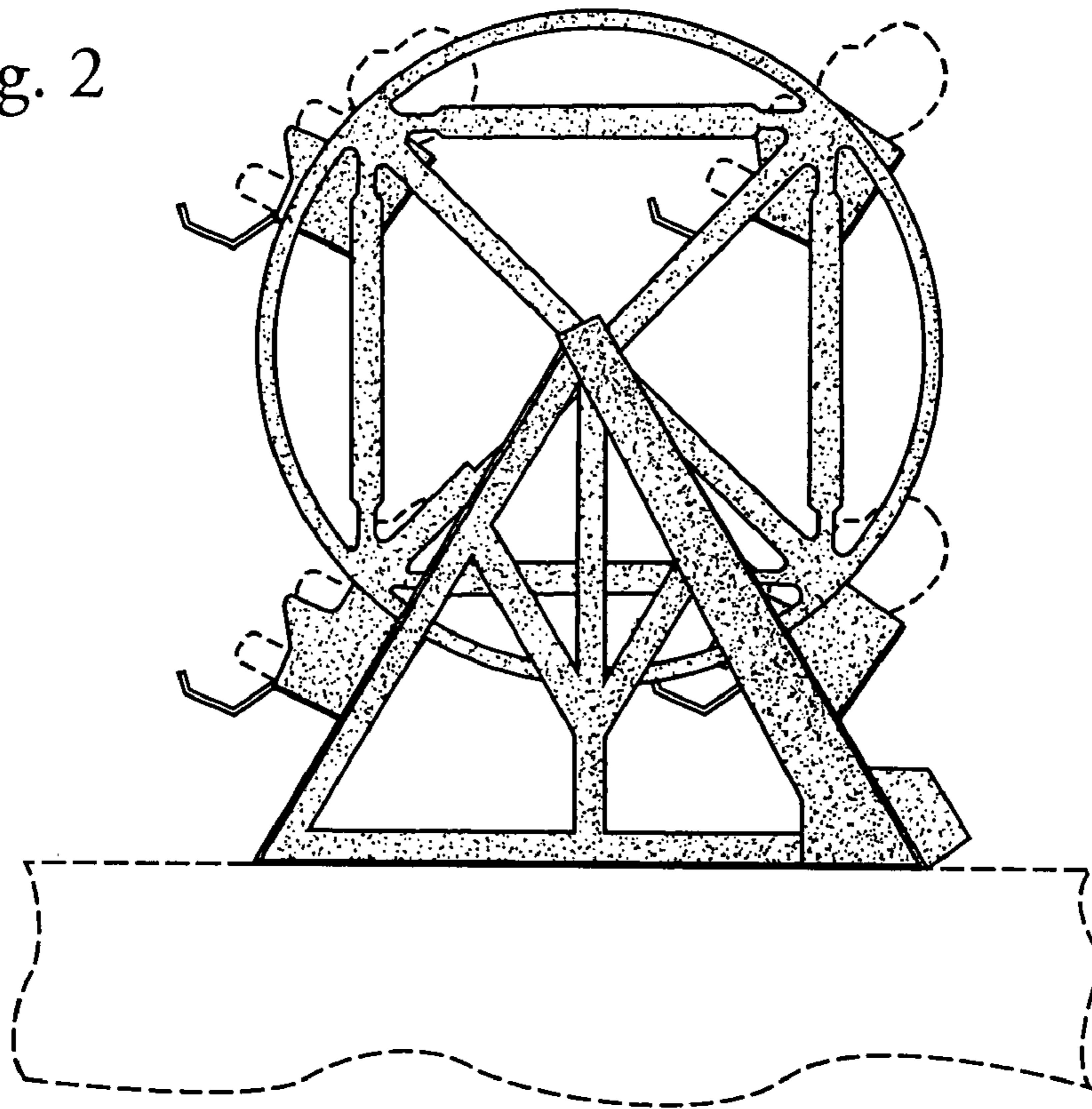
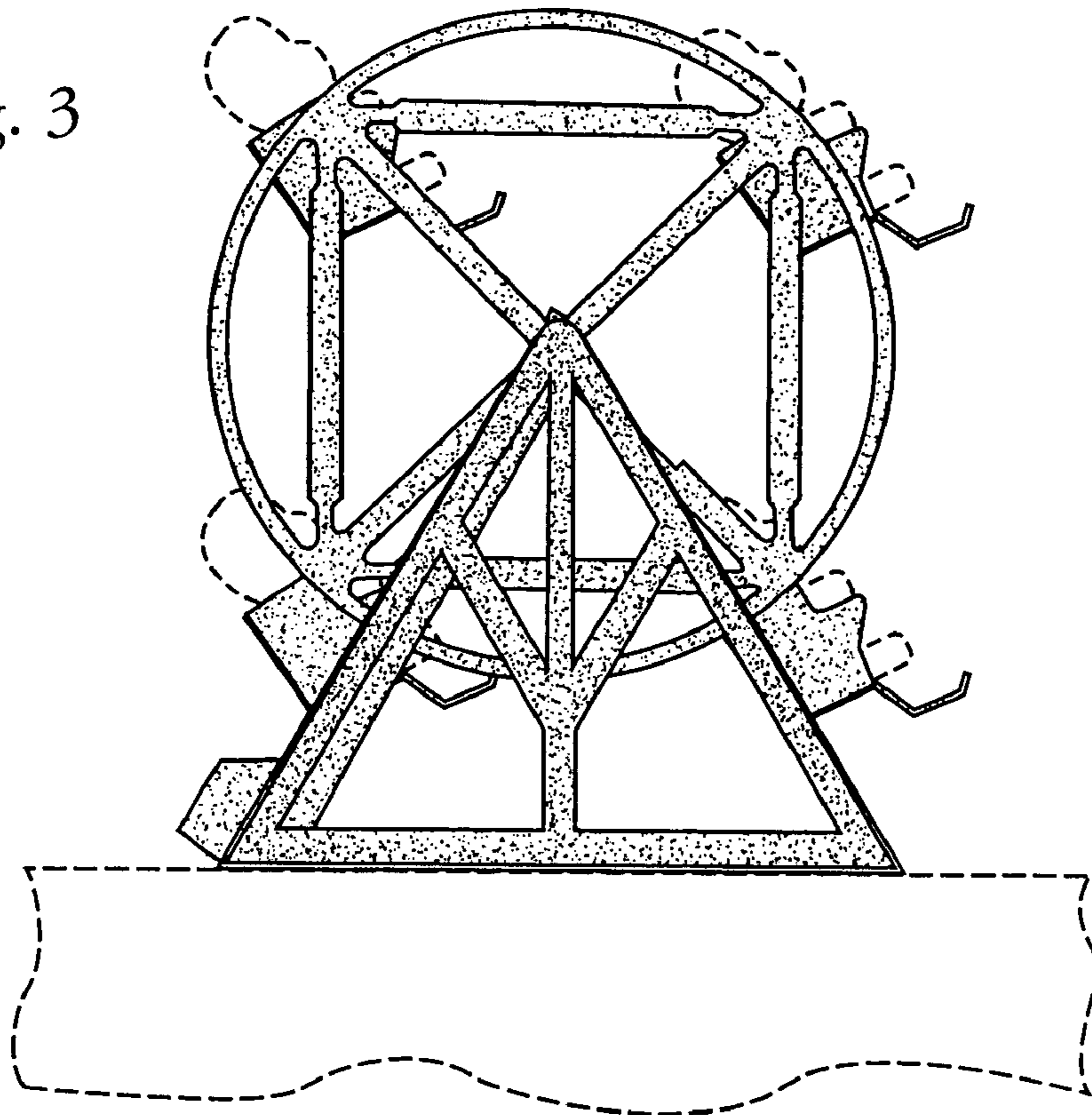


Fig. 3



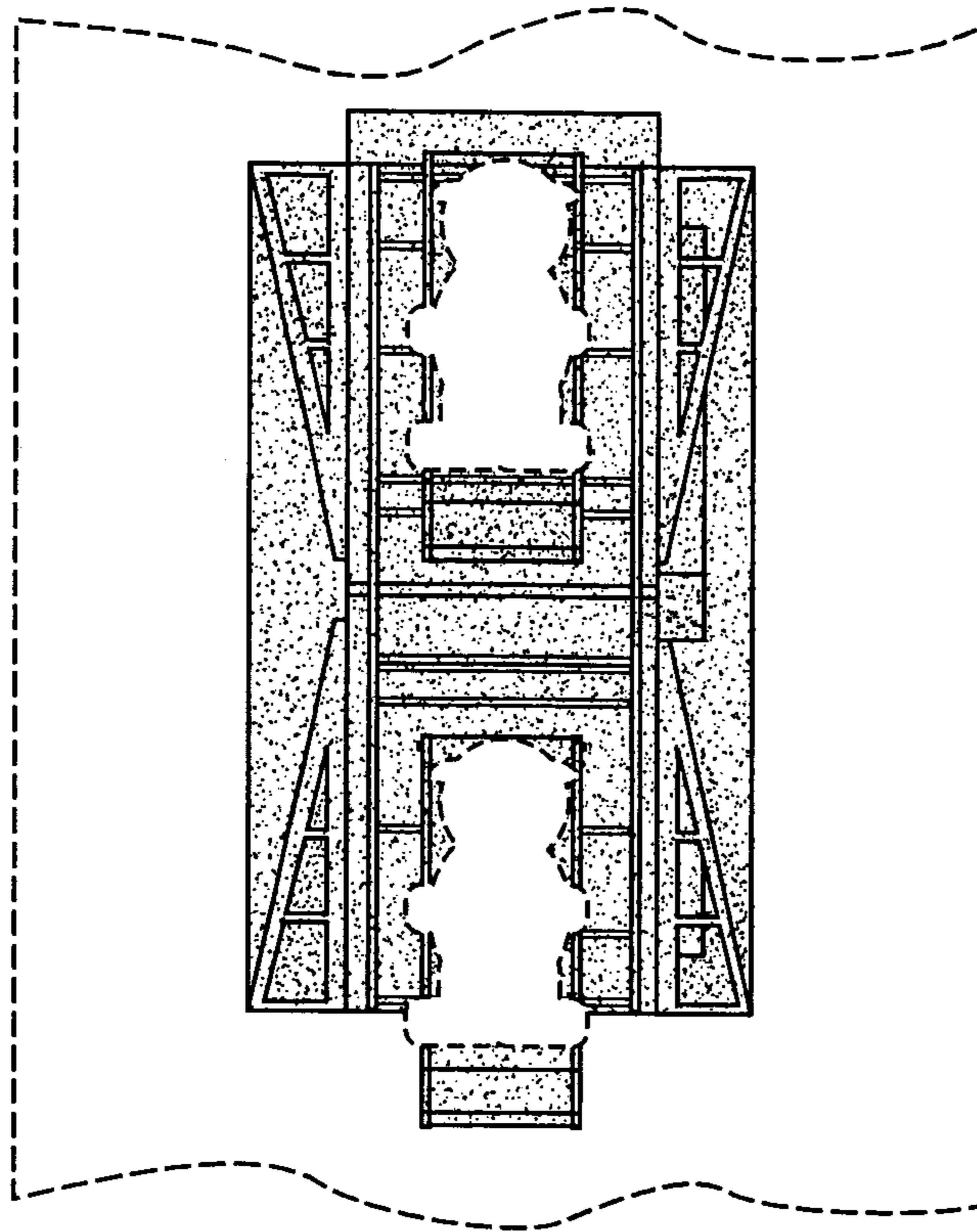


Fig. 4

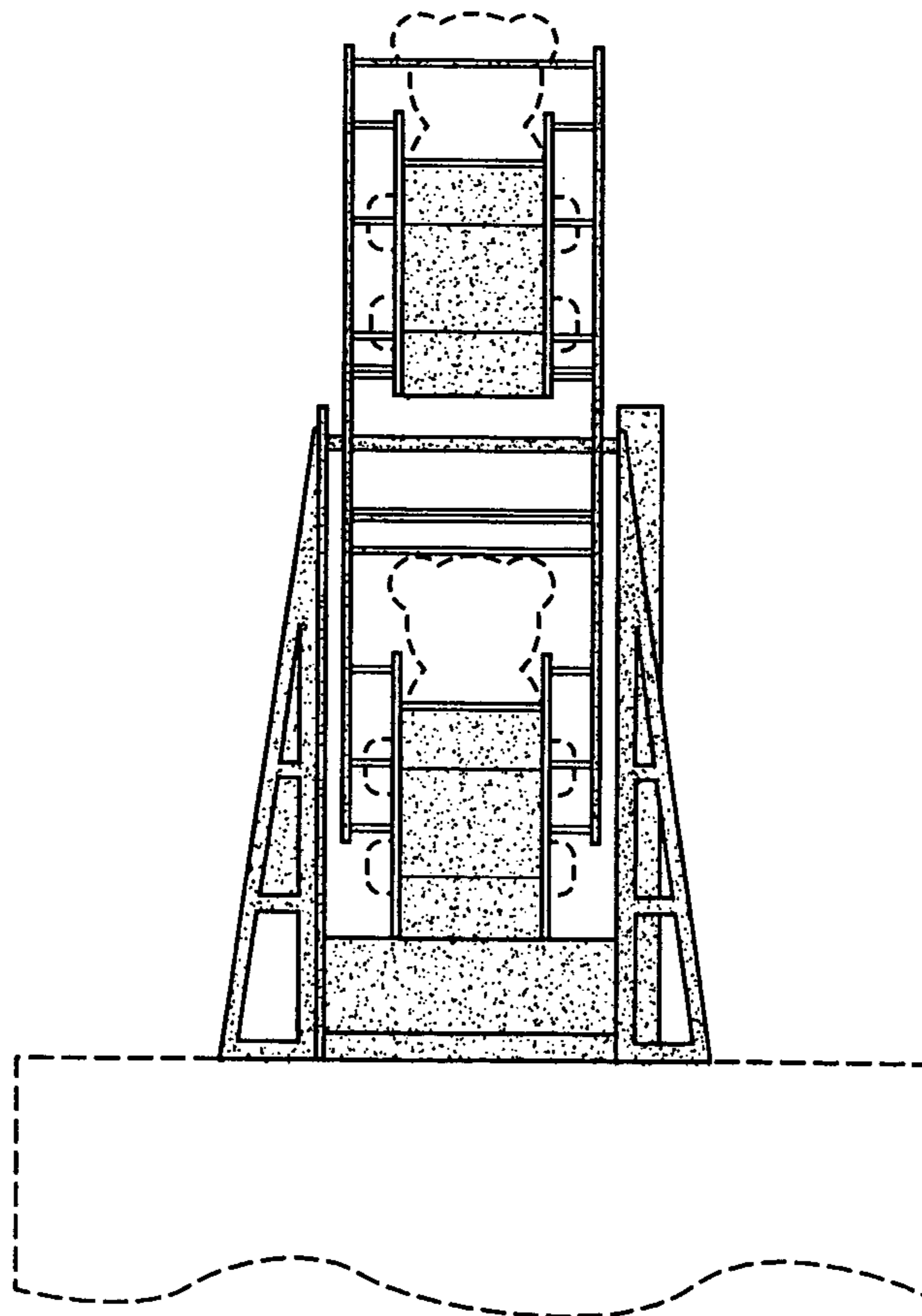


Fig. 5