



US00D552640S

(12) **United States Design Patent**
Bernhardt

(10) **Patent No.:** **US D552,640 S**

(45) **Date of Patent:** **** Oct. 9, 2007**

(54) **COLLET HOLDER AND TOOL BODY**

(75) Inventor: **Randy J. Bernhardt**, Dousman, WI
(US)

(73) Assignee: **Urban Manufacturing Inc.**, Pewaukee,
WI (US)

(**) Term: **14 Years**

(21) Appl. No.: **29/273,762**

(22) Filed: **Mar. 13, 2007**

Related U.S. Application Data

(62) Division of application No. 29/215,915, filed on Oct.
26, 2004, now Pat. No. Des. 538,315.

(51) **LOC (8) Cl.** **15-09**

(52) **U.S. Cl.** **D15/140**

(58) **Field of Classification Search** D15/140;
83/438, 467.1, 468, 468.6, 468.7, 522.19,
83/522.24, 522.25; 144/286 A; 228/44.7,
228/51, 55; 269/21, 303, 304, 315; 279/3,
279/4, 46; 409/218

See application file for complete search history.

(56) **References Cited**

U.S. PATENT DOCUMENTS

1,071,289 A	8/1913	Bader
2,450,931 A	10/1948	Bault
2,788,686 A	4/1957	Holt
2,849,240 A	8/1958	Sorenson
2,913,019 A	11/1959	Sprague
3,115,799 A	12/1963	Nitz
3,157,078 A	11/1964	Powers
D206,553 S	12/1966	Papp
D231,663 S	5/1974	Pingel
3,827,686 A	8/1974	Storkh
D232,760 S	9/1974	Lanese
D232,761 S	9/1974	Lanese
D235,475 S	6/1975	Waldman

D239,131 S	3/1976	Adler
3,967,816 A	7/1976	Ramsperger et al.
4,030,718 A	6/1977	Philipoff
4,175,737 A *	11/1979	Foss 269/303

(Continued)

FOREIGN PATENT DOCUMENTS

DE 43 21 387 1/1994

Primary Examiner—Antoine D. Davis

Assistant Examiner—Patricia Palasik

(74) *Attorney, Agent, or Firm*—Ryan, Kromholz, and
Manion S.C.

(57) **CLAIM**

The ornamental design for a collet holder and tool body, as
shown and described.

DESCRIPTION

FIG. 1 is a perspective view of a collet holder and tool body
according to the present invention.

FIG. 2 is a front elevation view of the collet holder and tool
body of FIG. 1.

FIG. 3 is a rear elevation view of the collet holder and tool
body of FIG. 1.

FIG. 4 is a left side view of the collet holder and tool body
of FIG. 1.

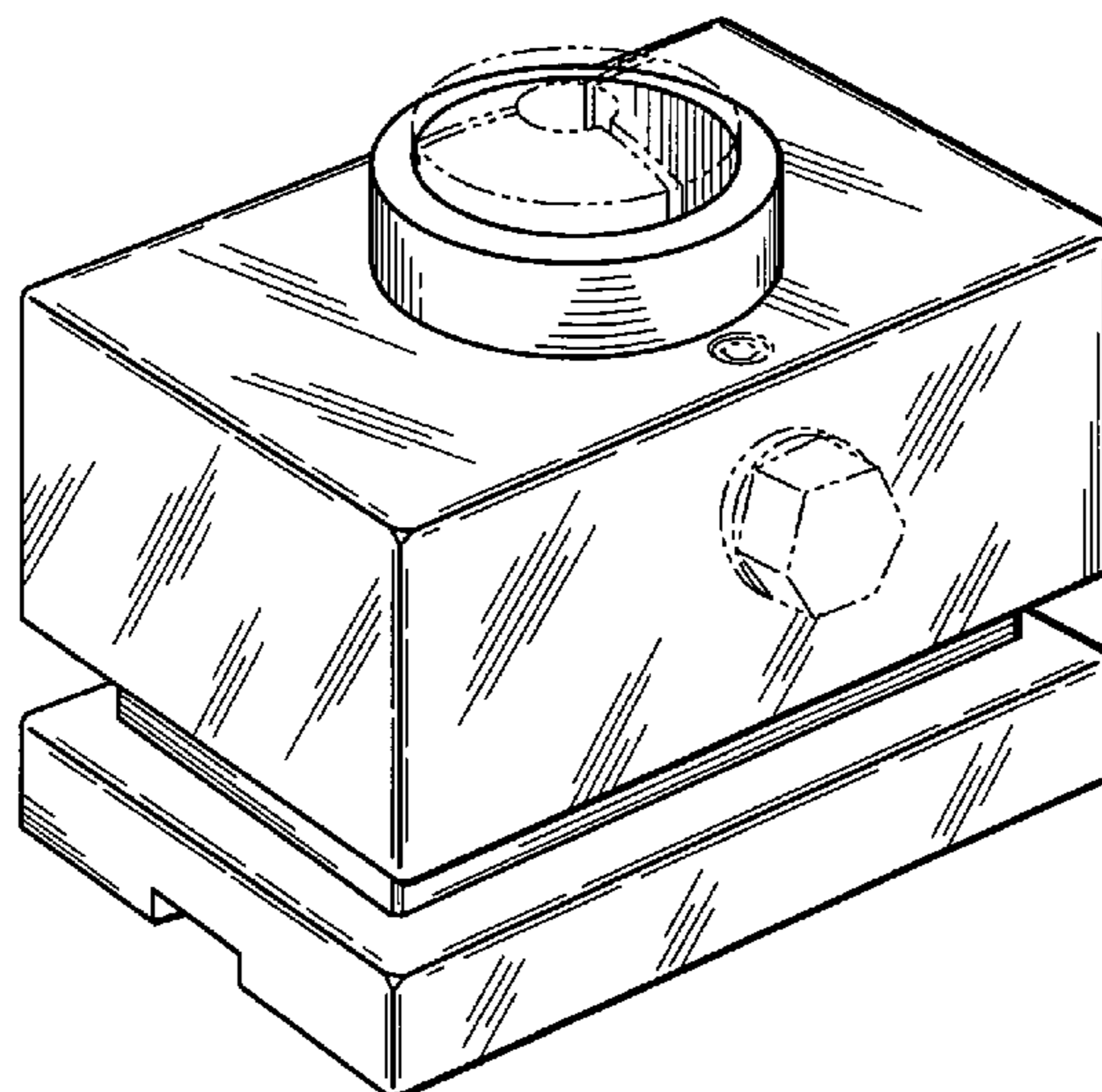
FIG. 5 is a right side view of the collet holder and tool body
of FIG. 1.

FIG. 6 is top plan view of the collet holder and tool body of
FIG. 1; and,

FIG. 7 is a bottom plan view of the collet holder and tool
body of FIG. 1.

The broken lines in FIGS. 1–7 are illustrative of environ-
mental structure only and form no part of the claimed
design.

1 Claim, 2 Drawing Sheets



US D552,640 S

Page 2

U.S. PATENT DOCUMENTS							
D269,518	S	6/1983	Karlan	D336,481	S	6/1993	Silvia
D271,772	S	12/1983	Grohowski et al.	5,683,026	A *	11/1997	Kawatani et al. 228/44.7
4,617,160	A *	10/1986	Belanger et al. 156/245	5,816,568	A	10/1998	Fox
D294,587	S	3/1988	Smith et al.	5,845,555	A	12/1998	Dawley
D294,588	S	3/1988	Smith et al.	D534,934	S *	1/2007	Bernhardt D15/140
D302,277	S	7/1989	Bishop	D538,315	S *	3/2007	Bernhardt D15/140
4,986,323	A *	1/1991	Lemaire, Jr. 83/467.1				

* cited by examiner

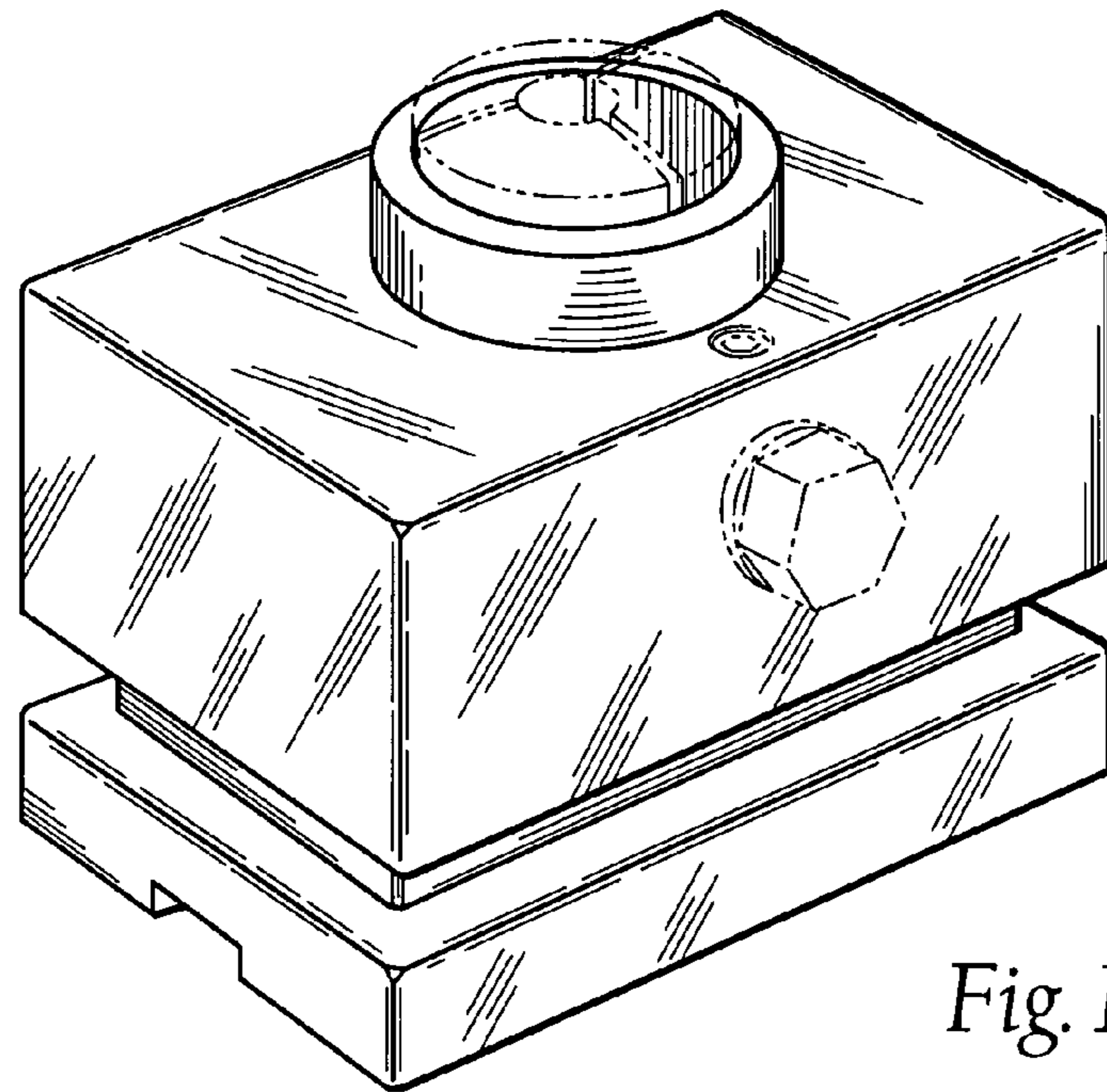


Fig. 1

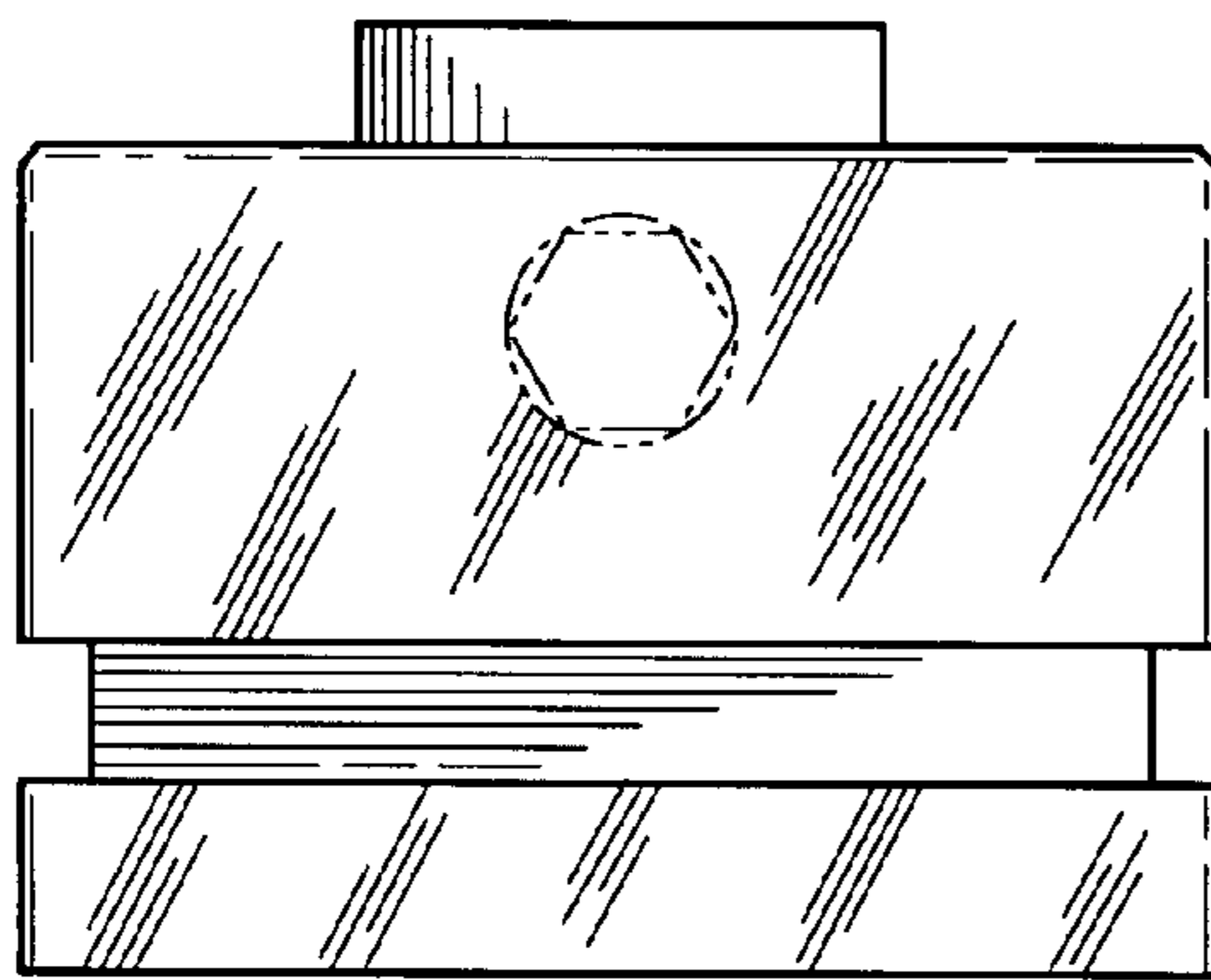


Fig. 2

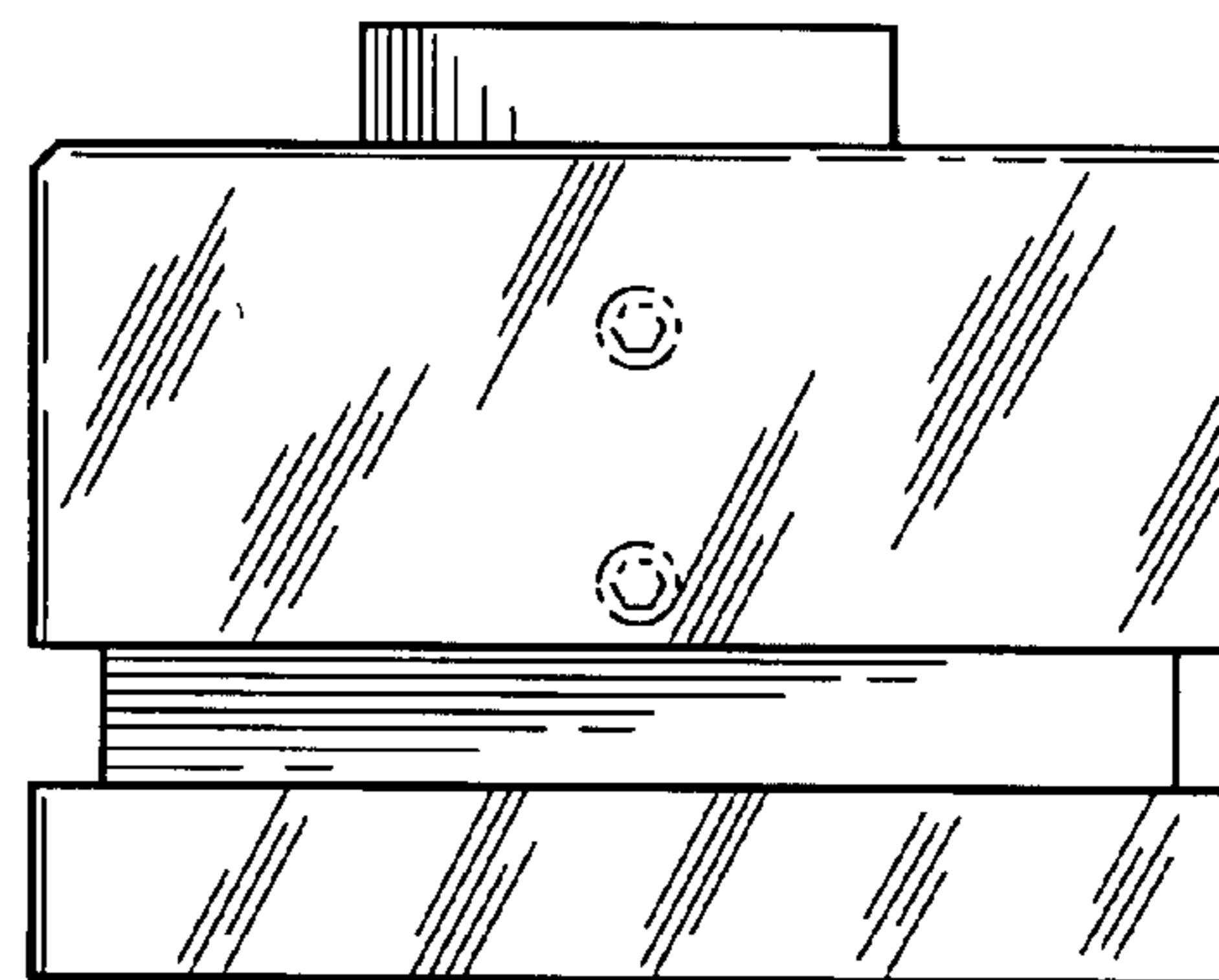


Fig. 3

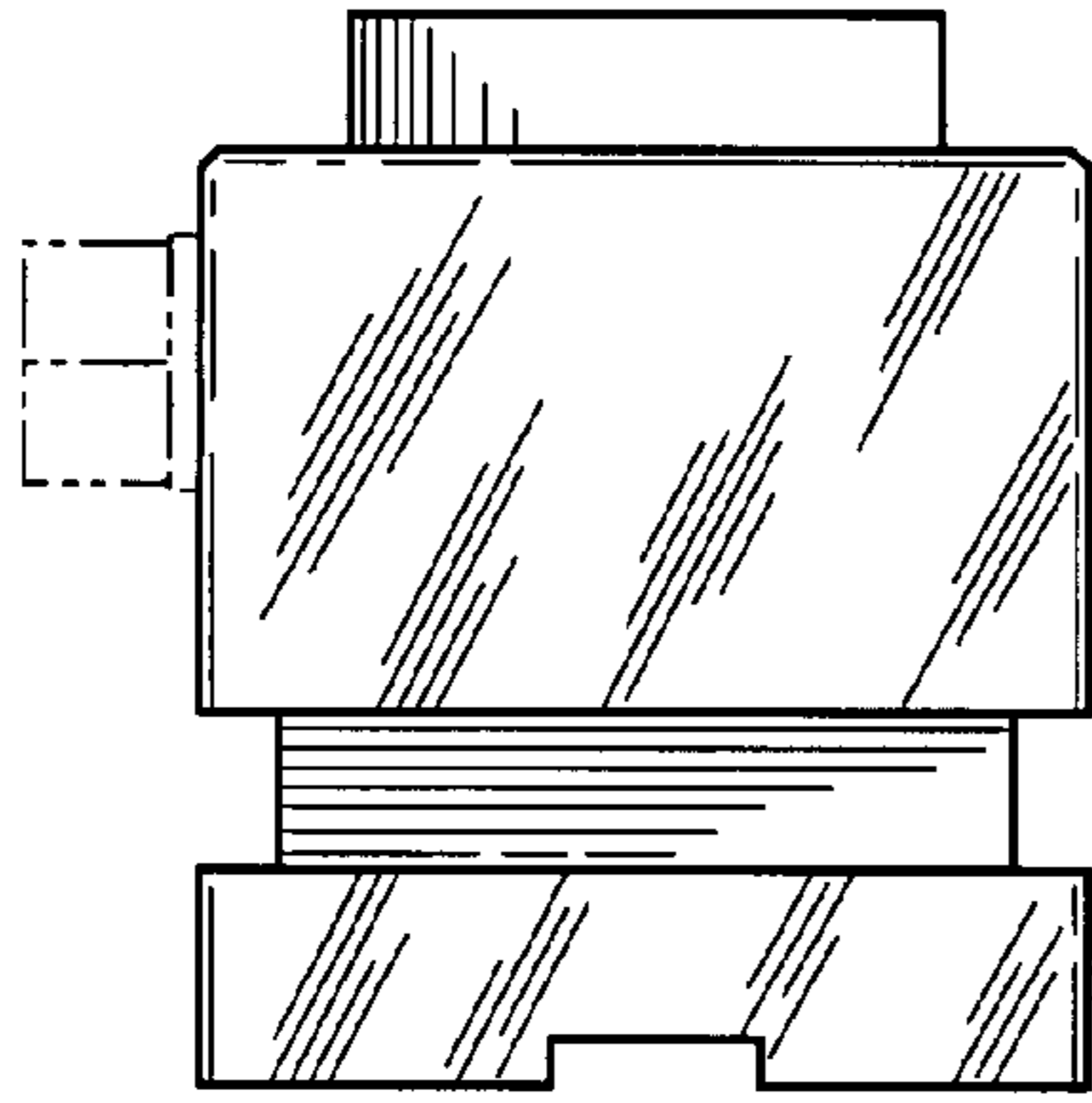


Fig. 4

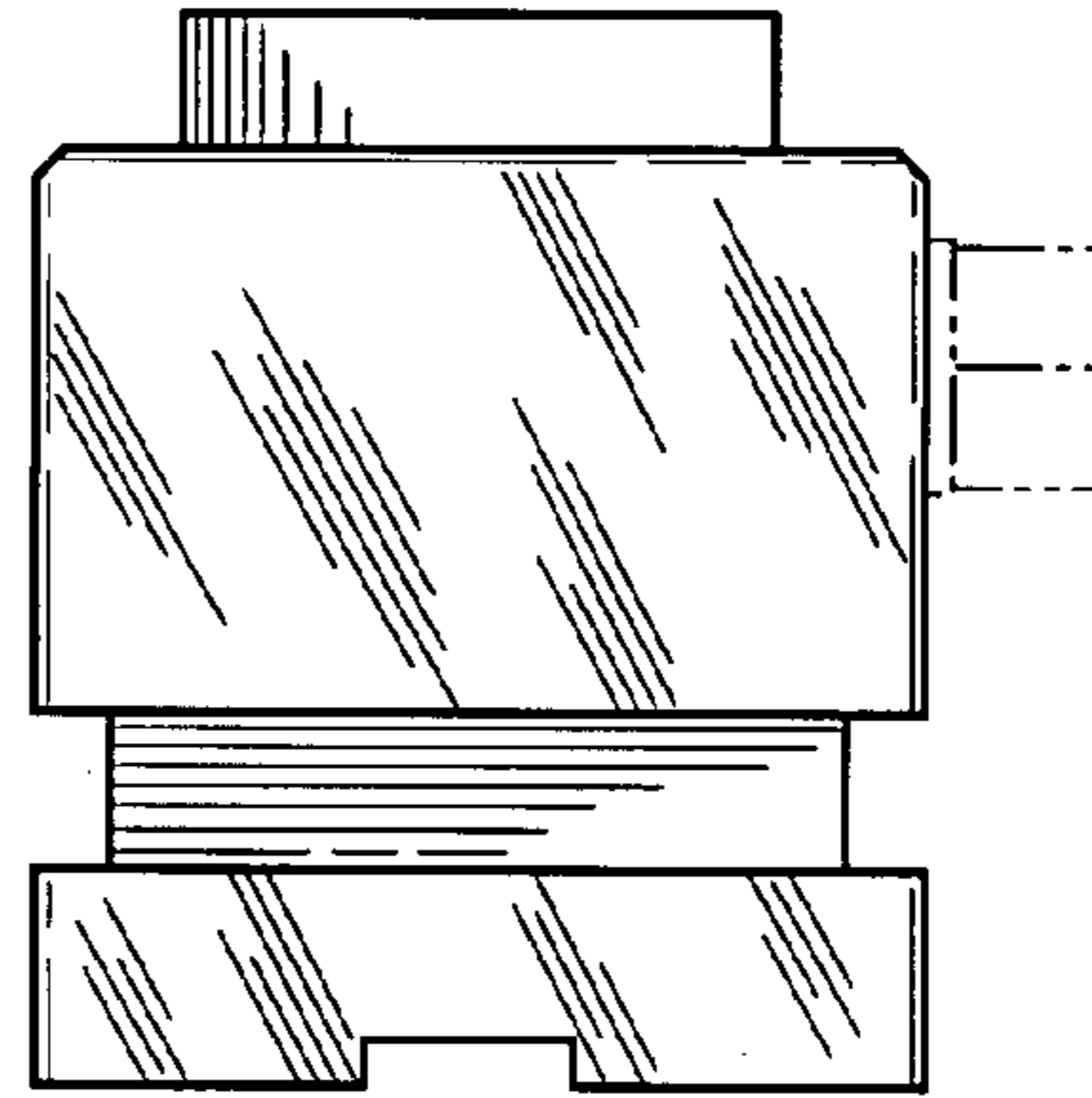


Fig. 5

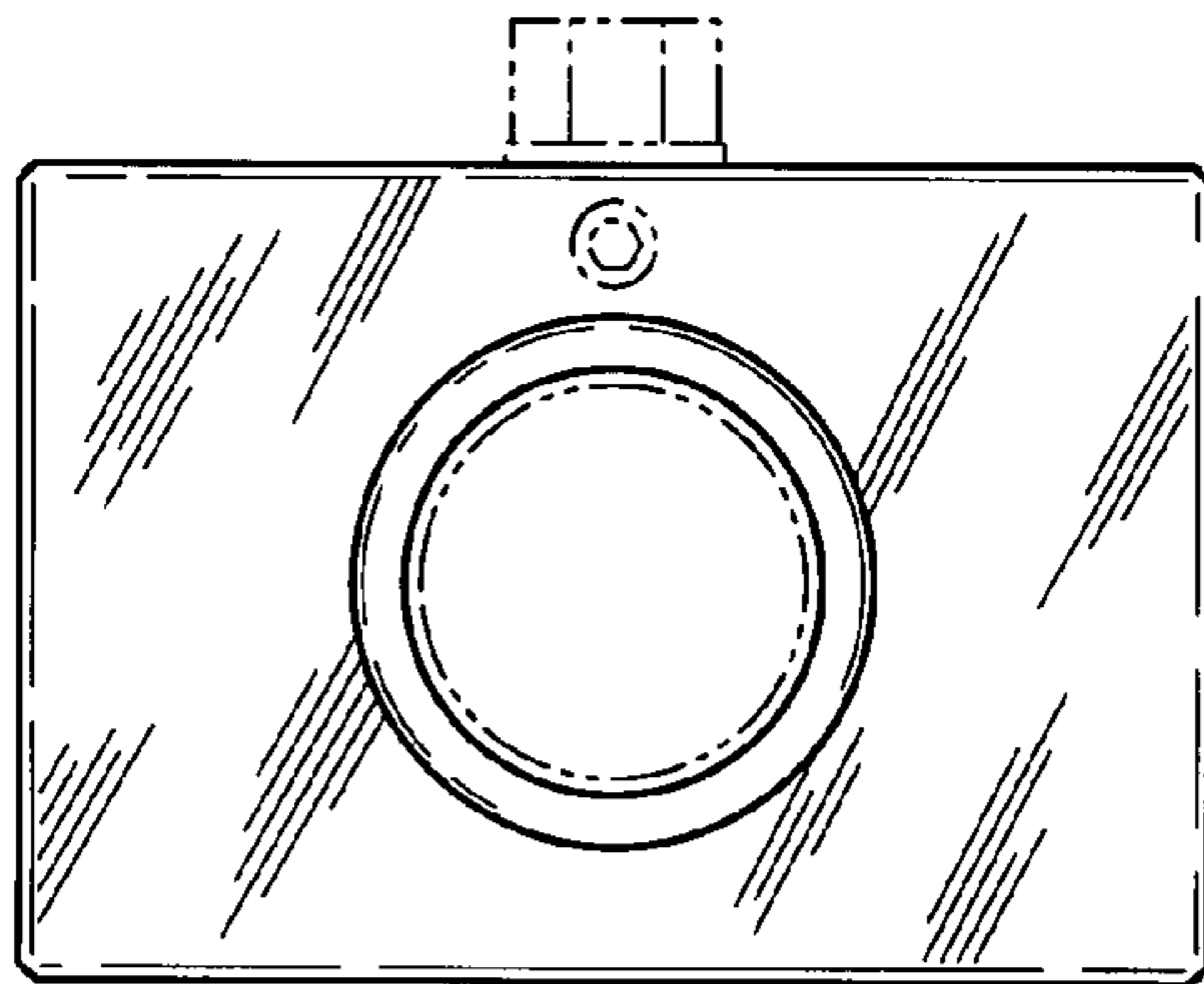


Fig. 6

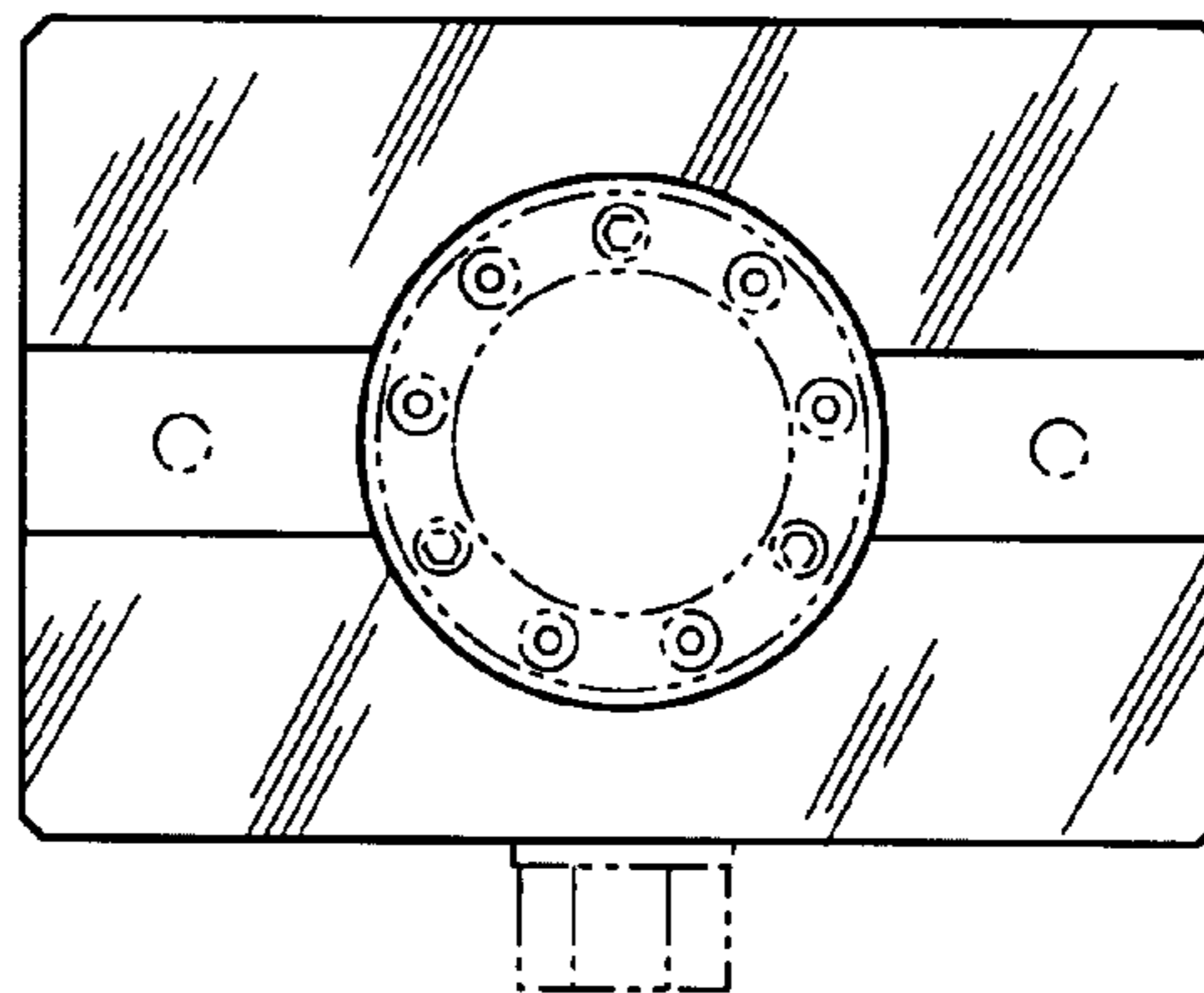


Fig. 7