



US00D552637S

(12) **United States Design Patent**
Dore

(10) **Patent No.:** **US D552,637 S**

(45) **Date of Patent:** **** Oct. 9, 2007**

(54) **ABRASIVE BLASTING APPARATUS**

(75) Inventor: **David James Dore**, Derbyshire (GB)

(73) Assignee: **Quill International Industries PLC**,
Melbourne, Derbyshire (GB)

(**) Term: **14 Years**

(21) Appl. No.: **29/250,209**

(22) Filed: **Nov. 6, 2006**

(51) **LOC (8) Cl.** **15-09**

(52) **U.S. Cl.** **D15/122**

(58) **Field of Classification Search** D15/122,
D15/124; 451/75, 88-90, 99, 100, 101, 410,
451/426, 438

See application file for complete search history.

(56) **References Cited**

U.S. PATENT DOCUMENTS

2,075,732	A *	3/1937	Lauffer	451/99
2,763,965	A *	9/1956	Stokes	451/101
3,599,375	A *	8/1971	Nunemaker	451/90
3,741,738	A *	6/1973	Dowgin	451/99
4,300,318	A *	11/1981	Brown	451/88
5,433,653	A *	7/1995	Friess	451/100

D400,212	S *	10/1998	Brassil et al.	D15/124
6,896,597	B2 *	5/2005	Dore	451/99
2002/0182988	A1 *	12/2002	Williams et al.	451/90
2004/0053561	A1 *	3/2004	Pieper	451/90
2005/0003747	A1 *	1/2005	Dore	451/90

* cited by examiner

Primary Examiner—Antoine D. Davis

Assistant Examiner—Patricia Palasik

(74) *Attorney, Agent, or Firm*—Egbert Law Offices

(57) **CLAIM**

The ornamental design for an abrasive blasting apparatus, as shown and described.

DESCRIPTION

FIG. 1 is a perspective view of the abrasive blasting apparatus showing my design.

FIG. 2 is a front view thereof;

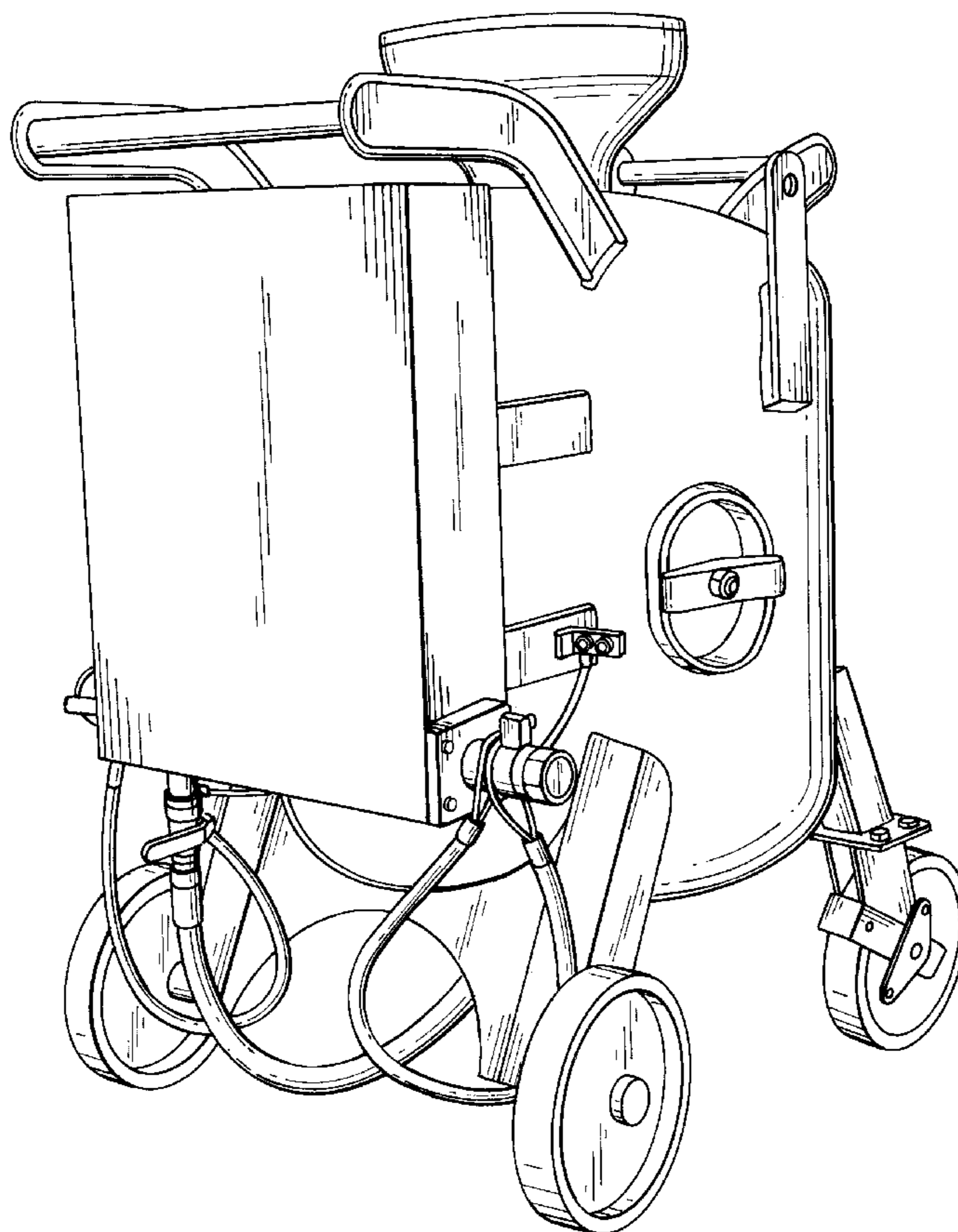
FIG. 3 is a back view thereof;

FIG. 4 is a side elevation view thereof;

FIG. 5 is an opposite side elevation view thereof; and,

FIG. 6 is a top plan view thereof.

1 Claim, 6 Drawing Sheets



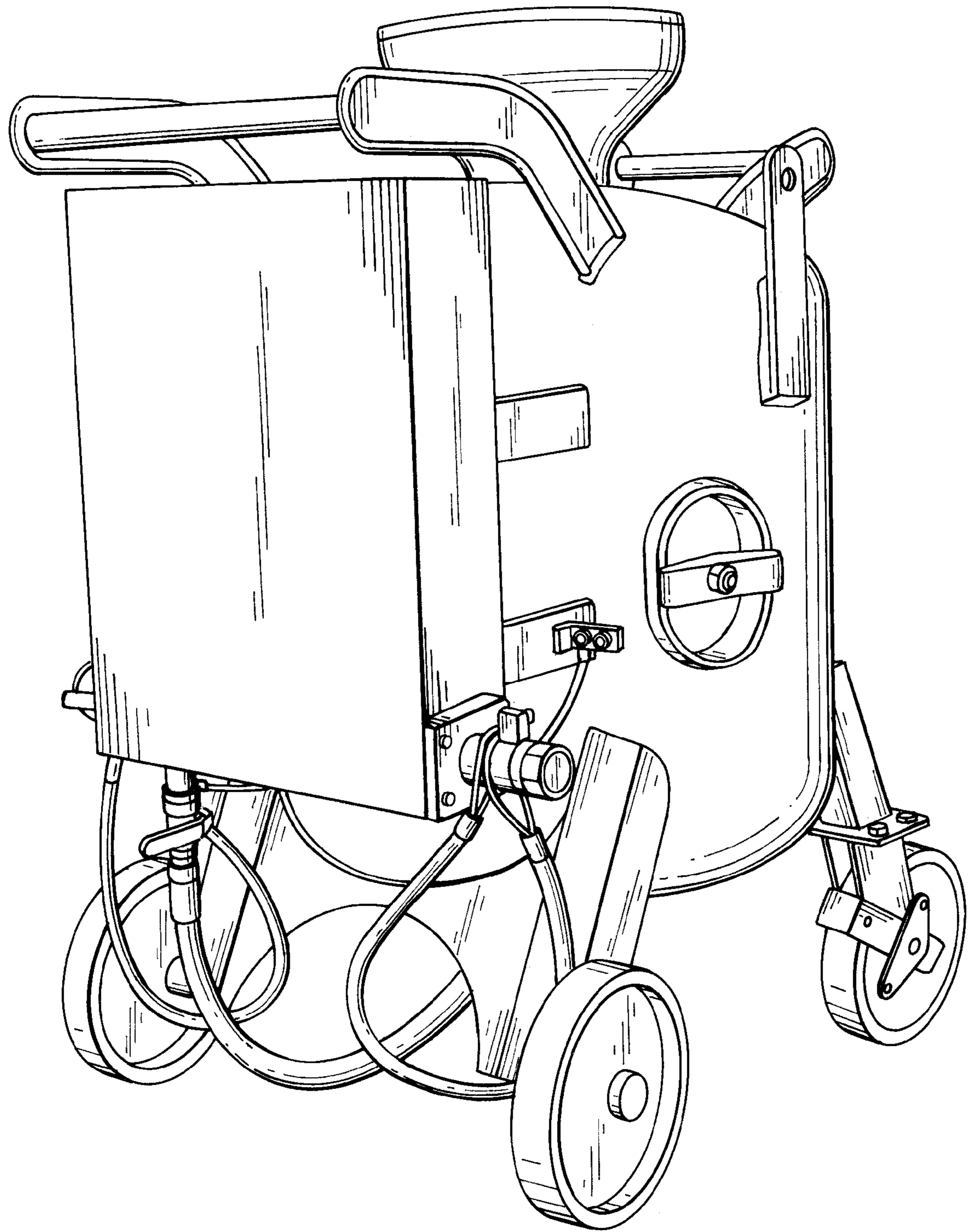


Fig. 1

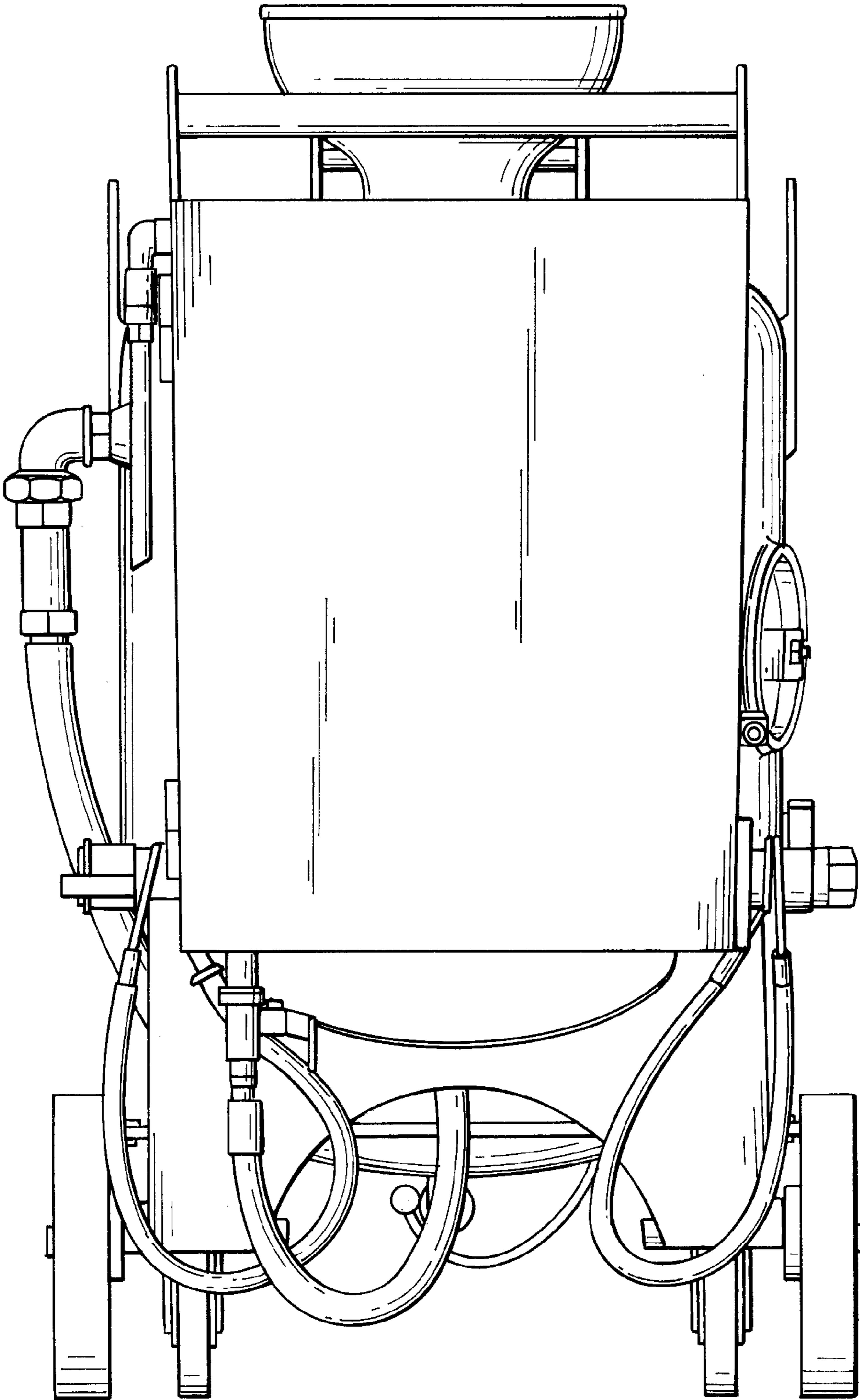


Fig. 2

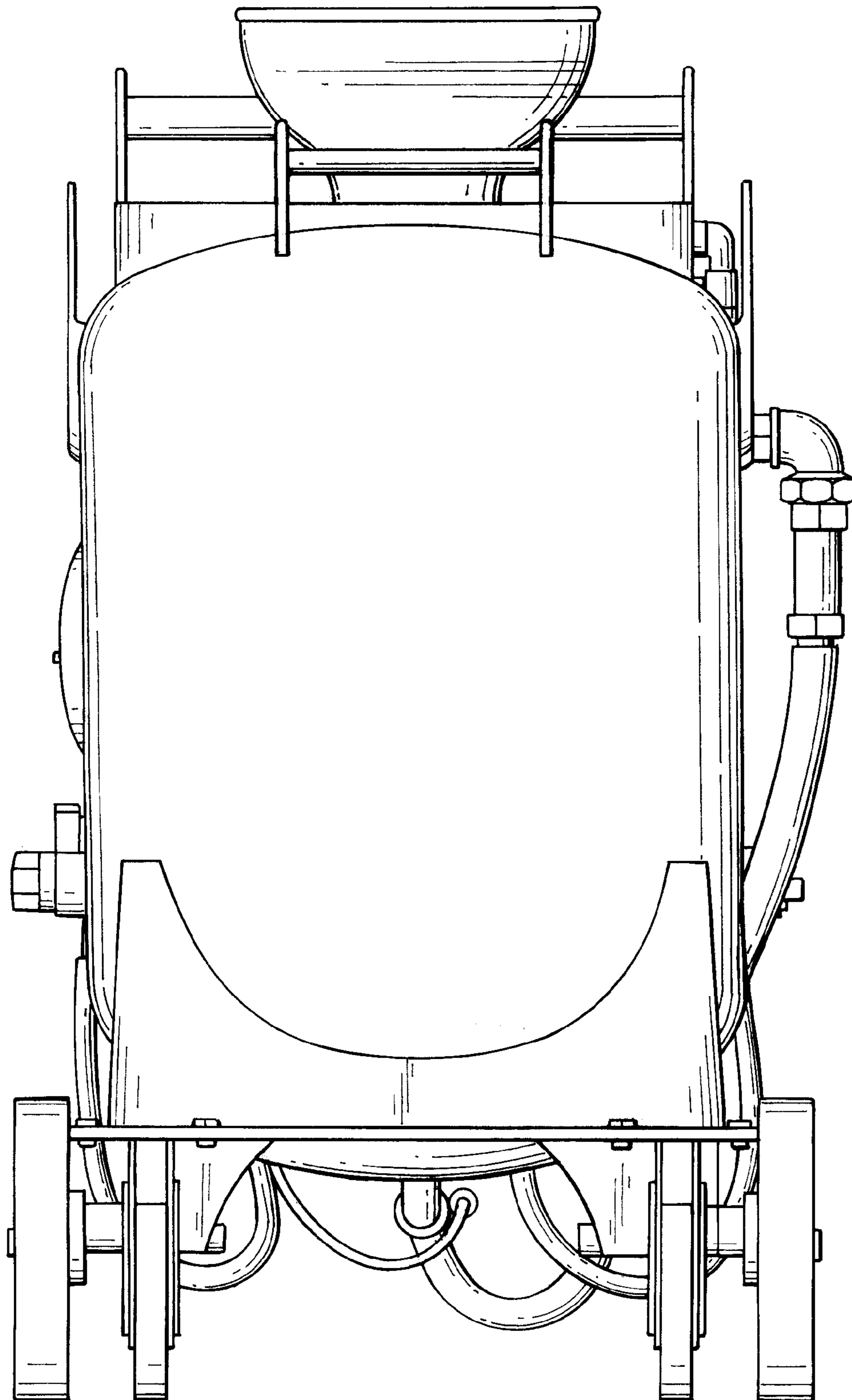


Fig. 3

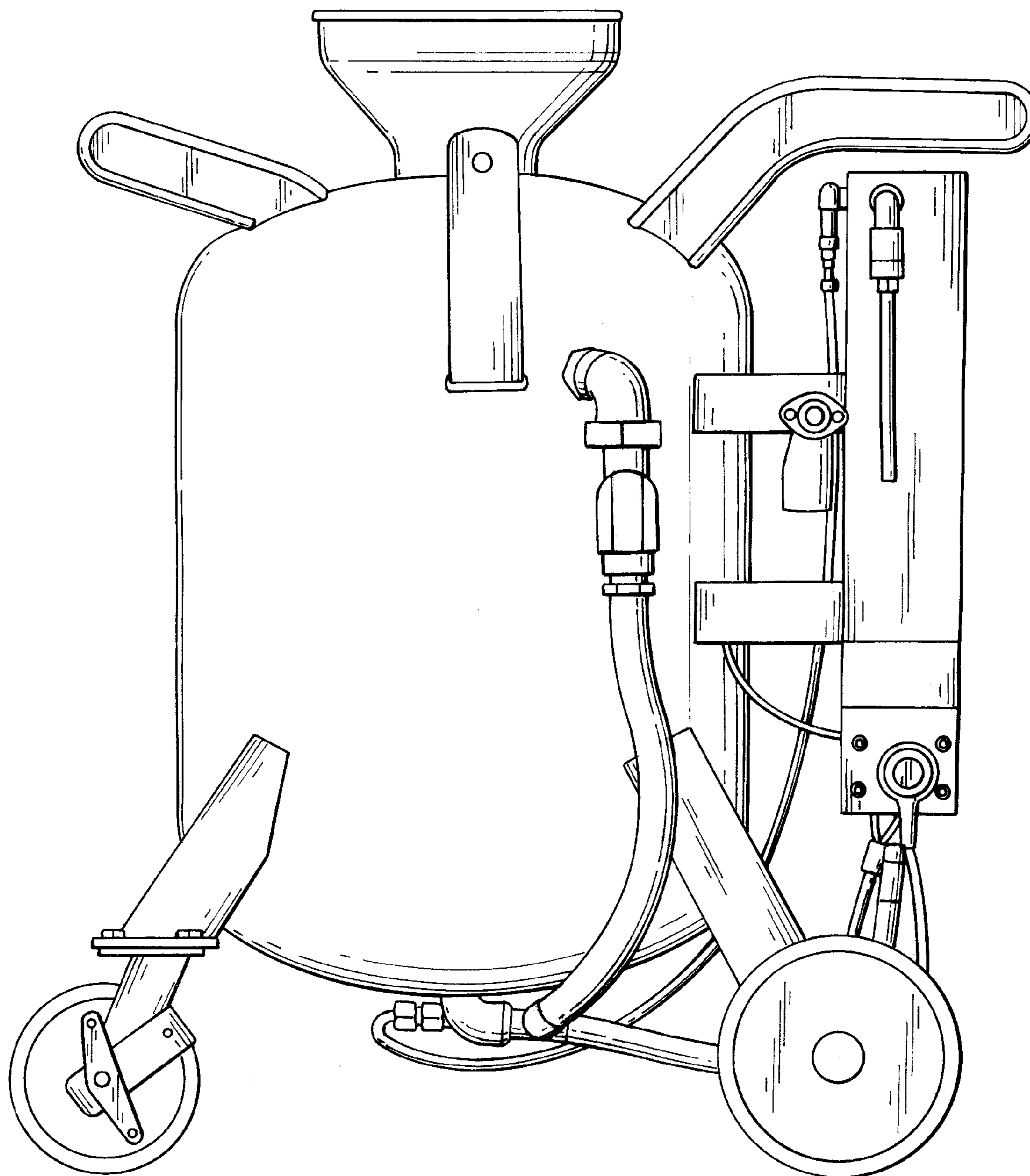


Fig. 4

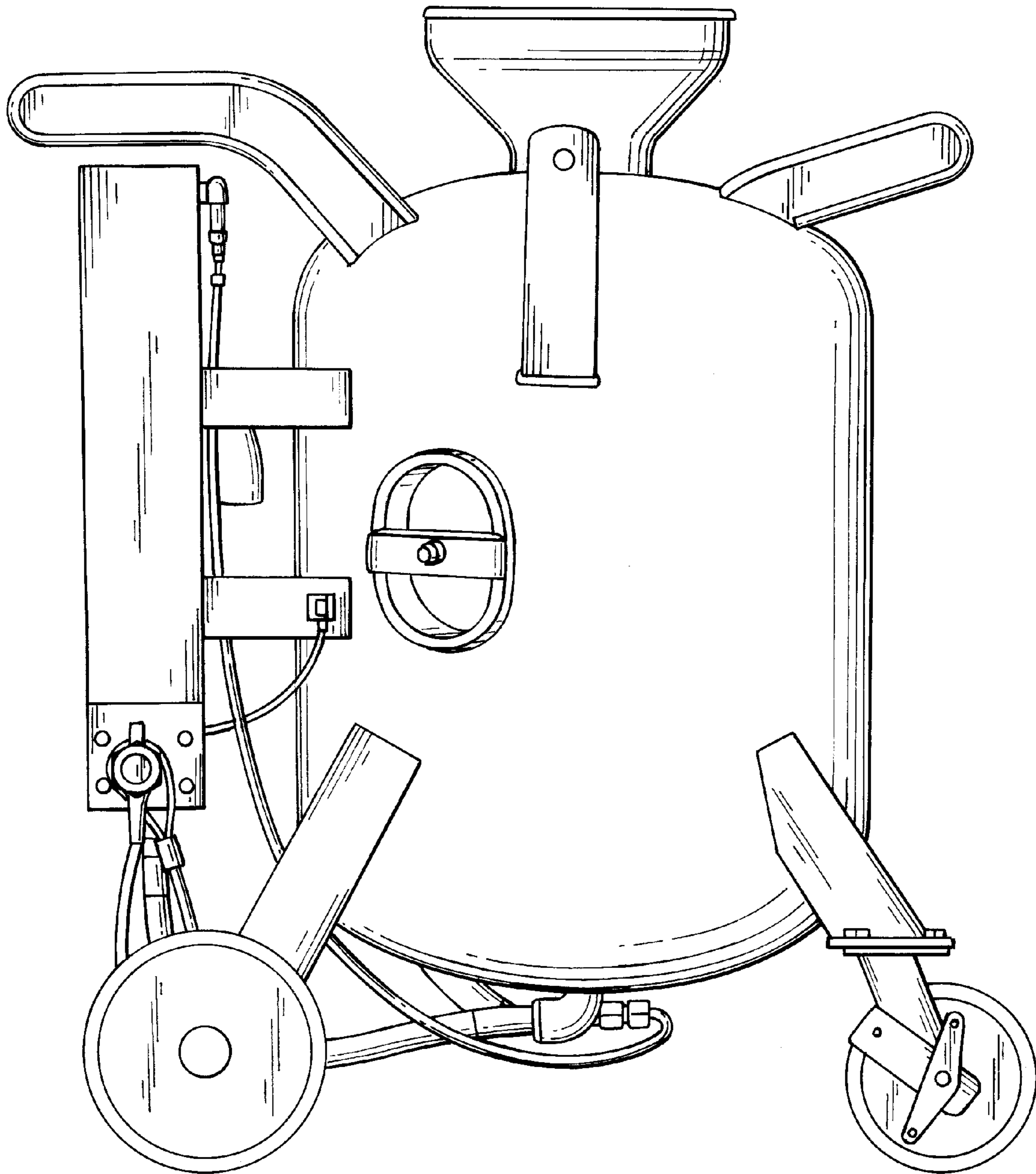


Fig. 5

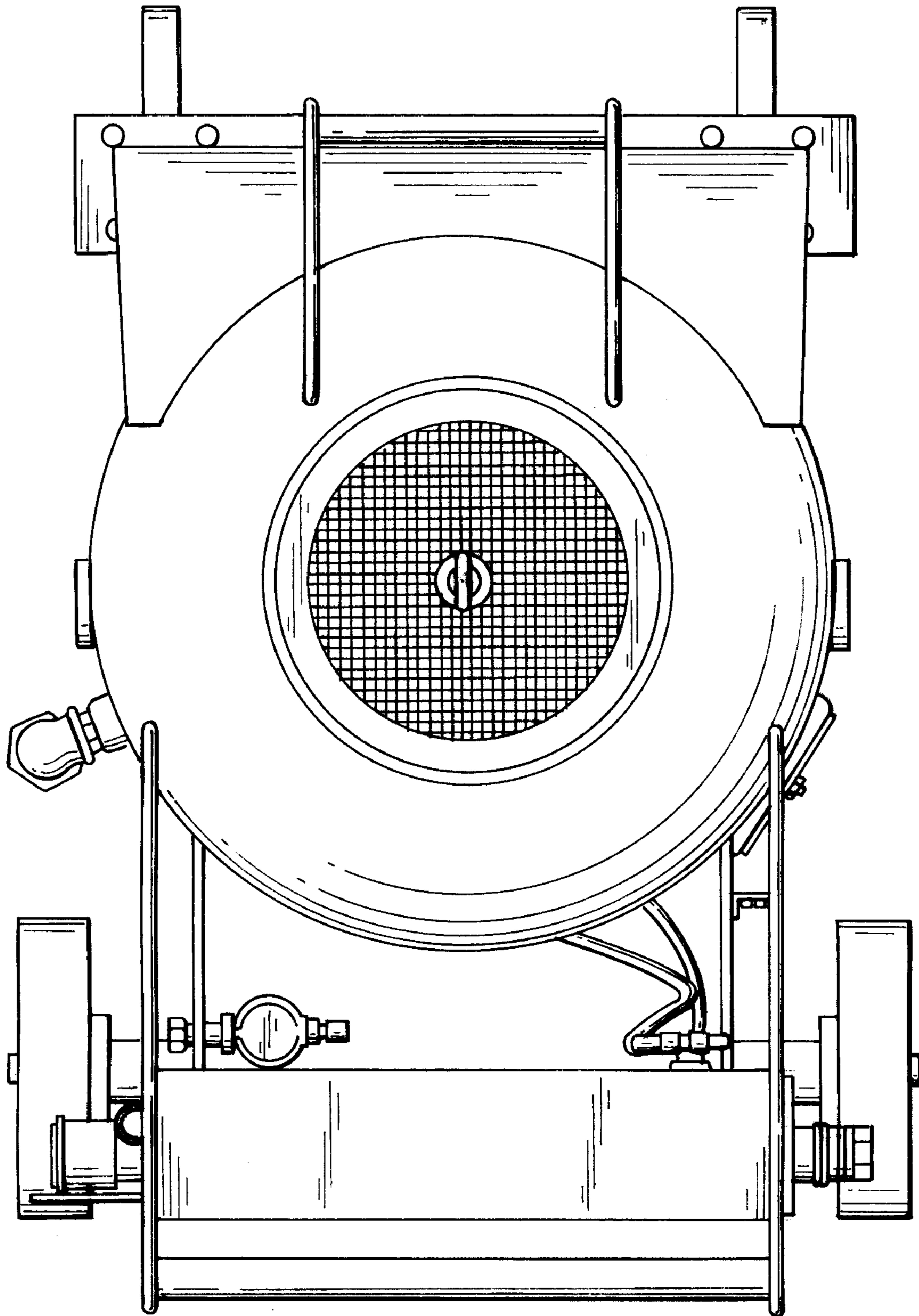


Fig. 6