

US00D552636S

(12) **United States Design Patent**
Vardon

(10) **Patent No.:** **US D552,636 S**

(45) **Date of Patent:** **** Oct. 9, 2007**

- (54) **REFRIGERATOR SHELF**
- (75) Inventor: **François Vardon**, Queretaro (MX)
- (73) Assignee: **Saint-Gobain Glass France**,
Courbevoie (FR)
- (**) Term: **14 Years**
- (21) Appl. No.: **29/275,116**
- (22) Filed: **Dec. 14, 2006**
- (51) **LOC (8) Cl.** **15-07**
- (52) **U.S. Cl.** **D15/91**
- (58) **Field of Classification Search** D15/79,
D15/85, 89; 62/3.6, 246-255, 337, 440-449,
62/457; 312/116, 247, 270.3, 319, 401, 408;
220/4.31, 533, 592.1-592.4; D6/627; 428/122;
29/451; 211/153; 248/153
See application file for complete search history.

D516,101 S	2/2006	Vardon	
D516,102 S	2/2006	Vardon	
D517,102 S	3/2006	Vardon	
D523,034 S	6/2006	Vardon	
D523,450 S	6/2006	Vardon	
D525,269 S	7/2006	Vardon	
D525,633 S	7/2006	Vardon	
2003/0222043 A1 *	12/2003	Rouch et al.	211/153
2005/0017143 A1 *	1/2005	Bronsink et al.	248/250
2005/0062380 A1 *	3/2005	Park et al.	312/408

* cited by examiner

Primary Examiner—Stella Reid
Assistant Examiner—Shanda C. Hill
 (74) *Attorney, Agent, or Firm*—Oblon, Spivak, McClelland,
 Maier & Neustadt, P.C.

(57) **CLAIM**

The ornamental design for a refrigerator shelf, as shown and described.

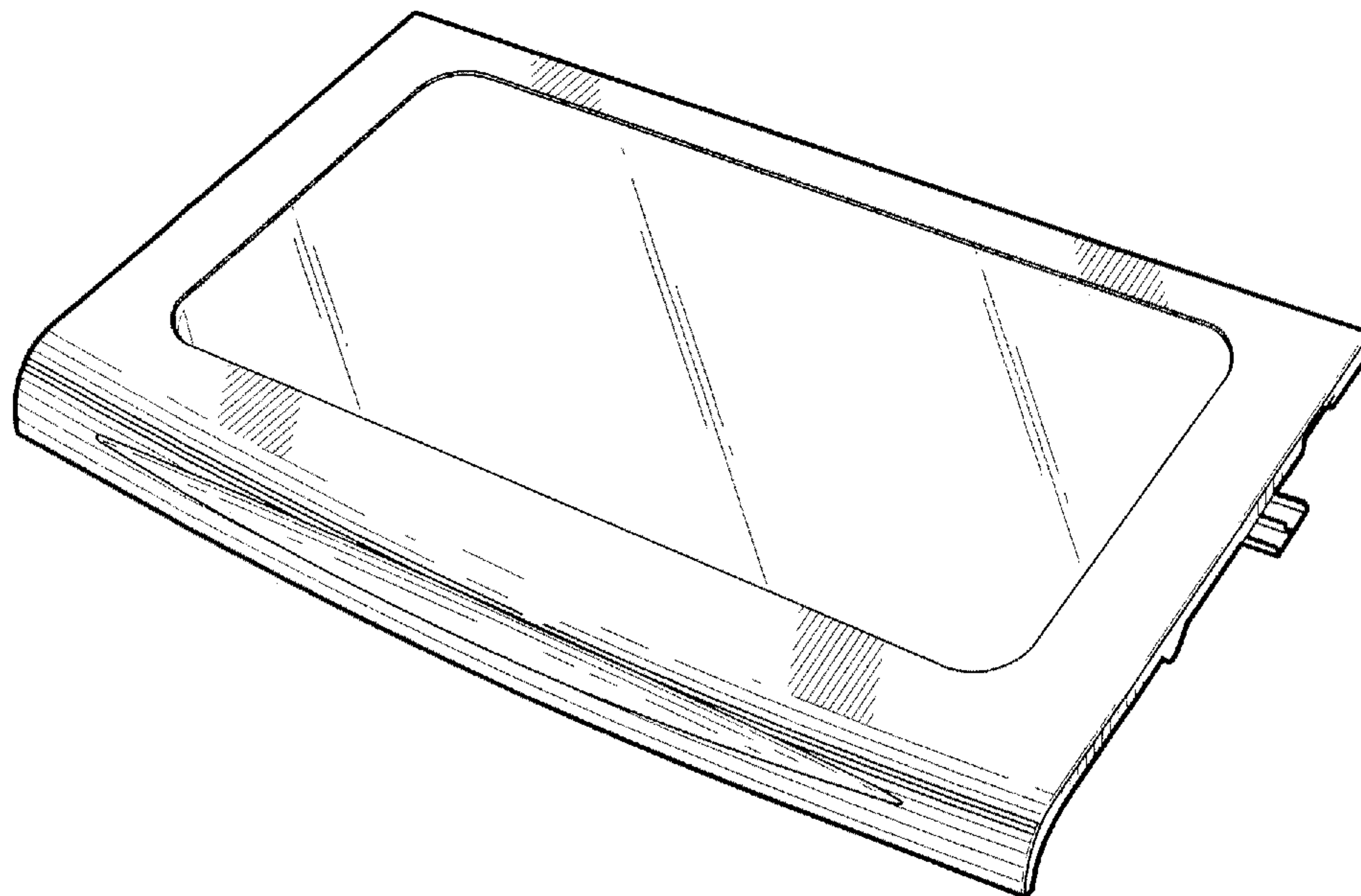
(56) **References Cited**
 U.S. PATENT DOCUMENTS

D142,904 S	11/1945	Paddock
D309,461 S	7/1990	Bussan et al.
5,332,611 A	7/1994	Shanok et al.
5,677,030 A	10/1997	Shanok et al.
5,735,589 A	4/1998	Herrmann et al.
6,105,233 A	8/2000	Neal
D482,560 S	11/2003	Danilovski
6,679,573 B2	1/2004	Bienick
D495,720 S	9/2004	Avalos Barcenas et al.
D512,732 S	12/2005	Vardon
D515,598 S	2/2006	Vardon
D515,599 S	2/2006	Vardon
D516,100 S	2/2006	Vardon

DESCRIPTION

FIG. 1 is a front view of a refrigerator shelf, showing my new design;
 FIG. 2 is a rear view thereof;
 FIG. 3 is a top view thereof;
 FIG. 4 is a bottom view thereof;
 FIG. 5 is a right side view thereof;
 FIG. 6 is a left side view thereof;
 FIG. 7 is a top, front, left perspective view thereof; and,
 FIG. 8 is a bottom, front, left perspective view thereof.

1 Claim, 6 Drawing Sheets



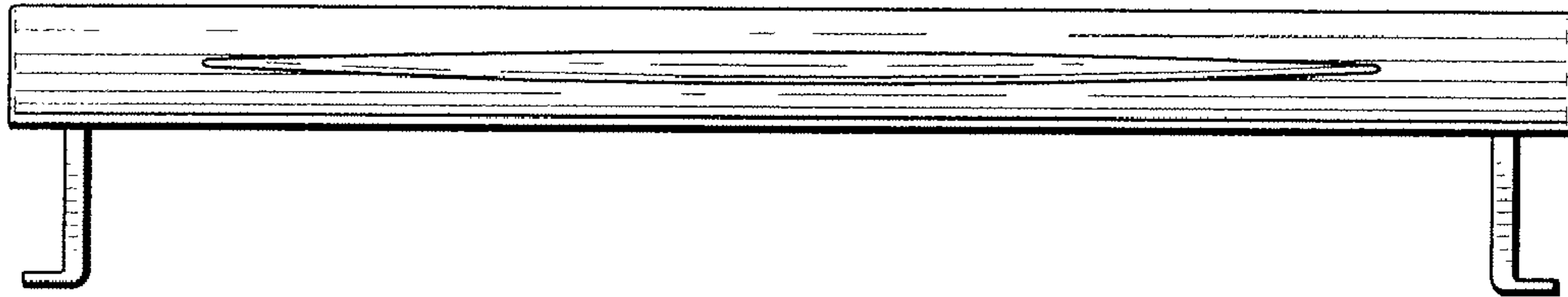


Fig. 1

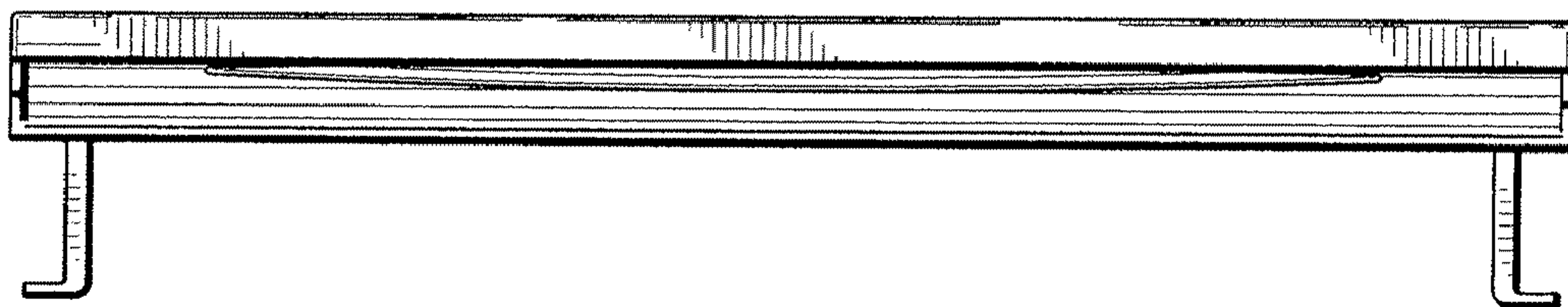


Fig. 2

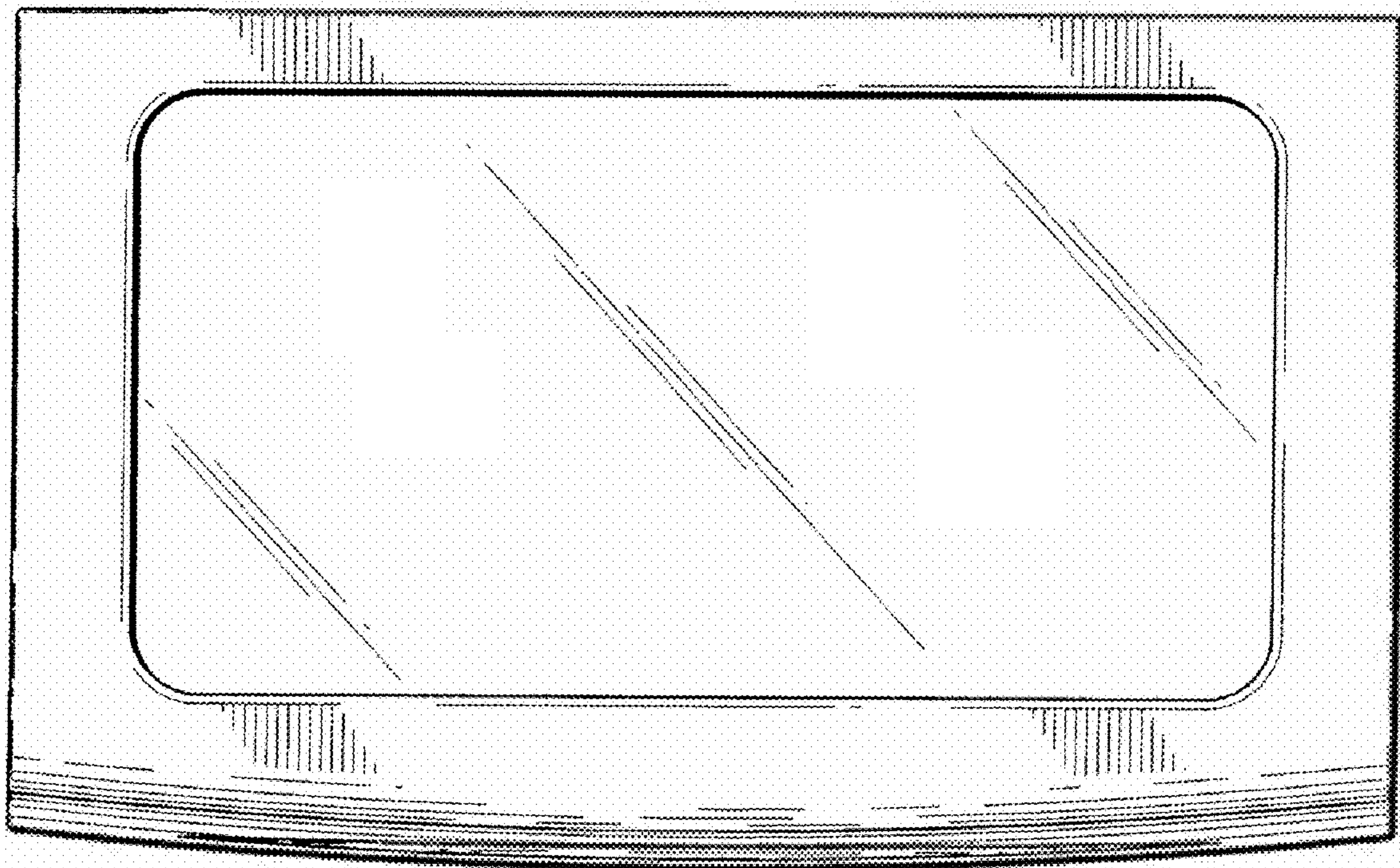


Fig. 3

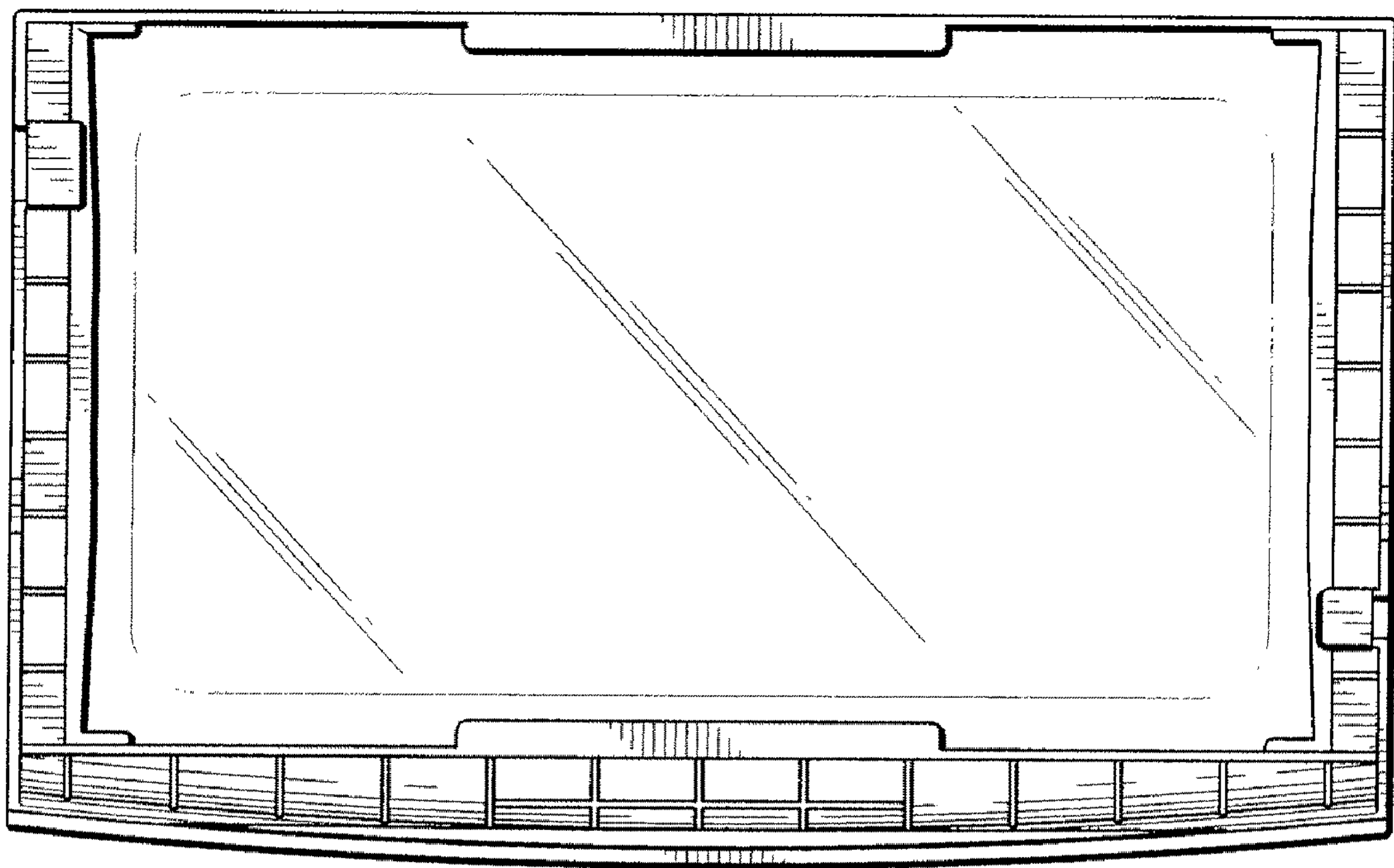


Fig. 4

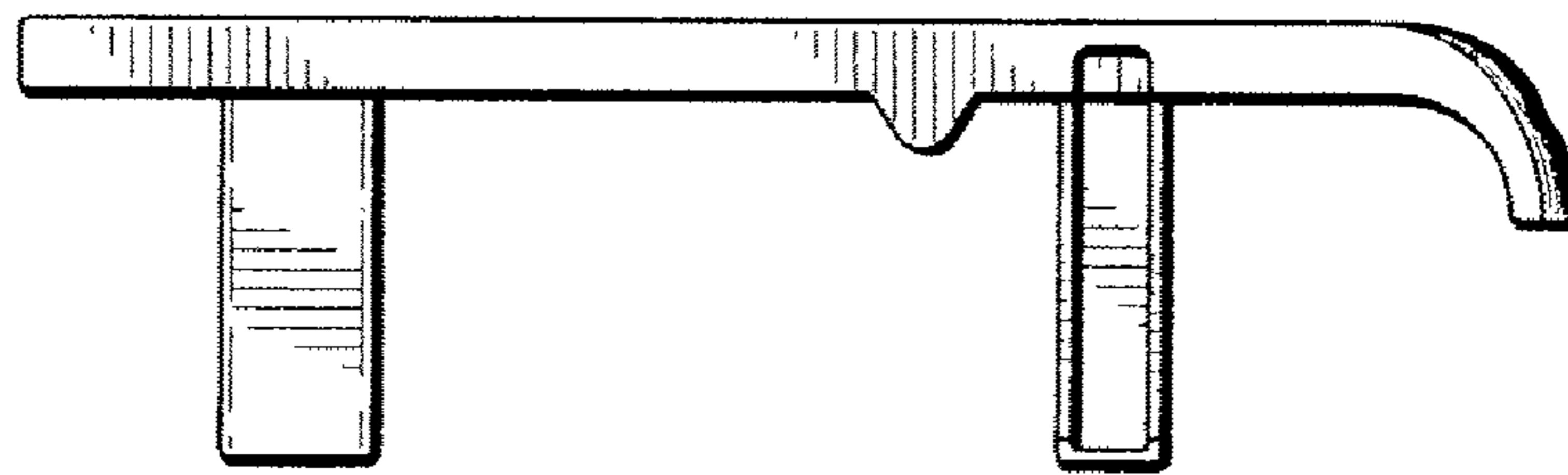


Fig. 5

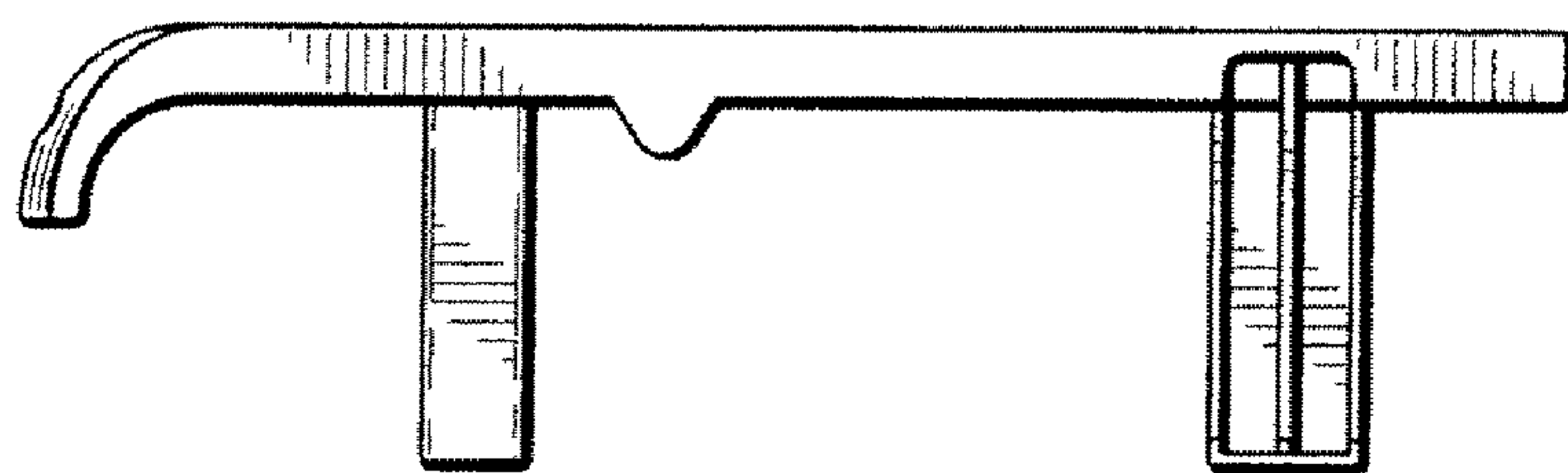


Fig. 6

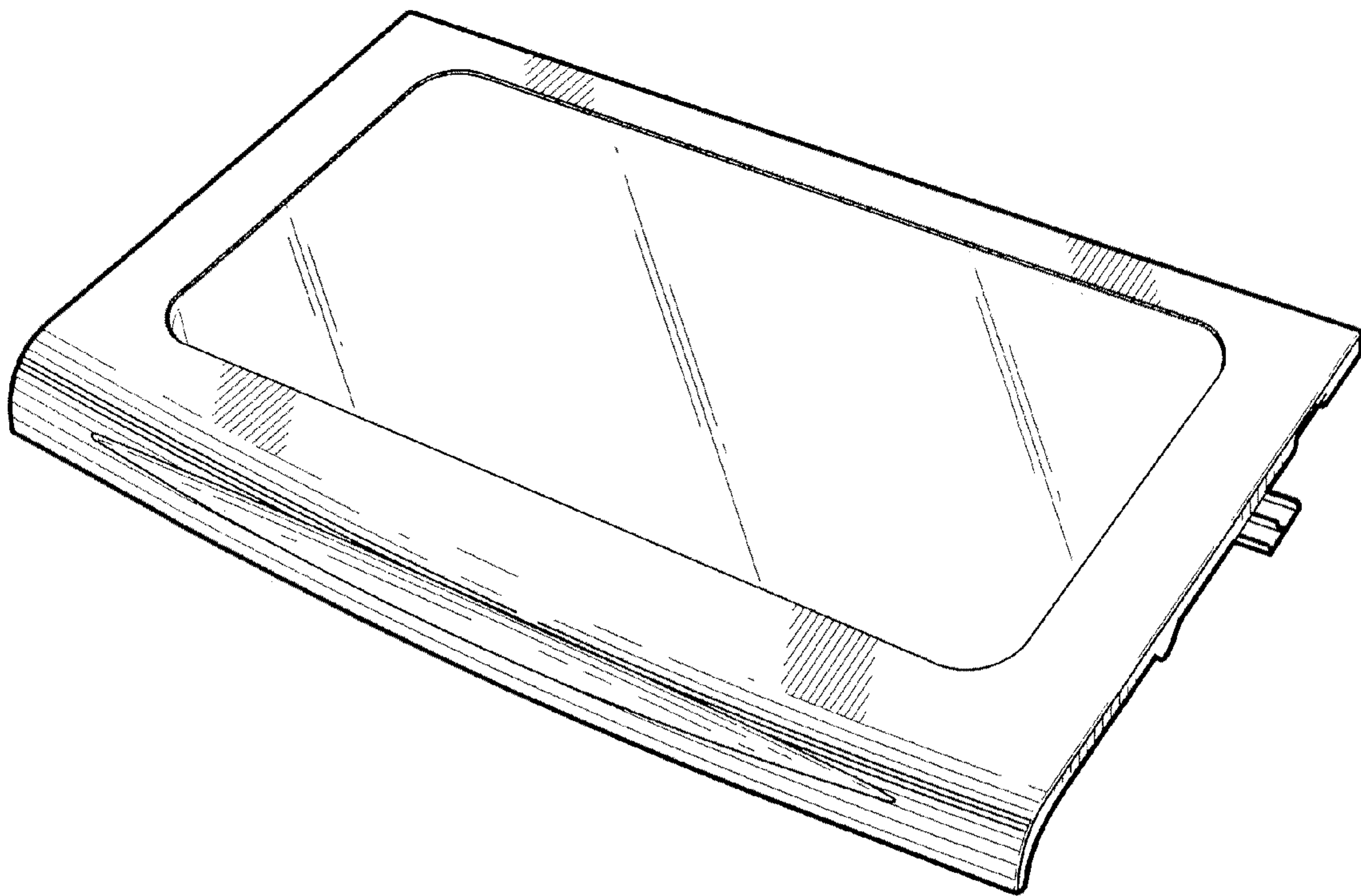


Fig. 7

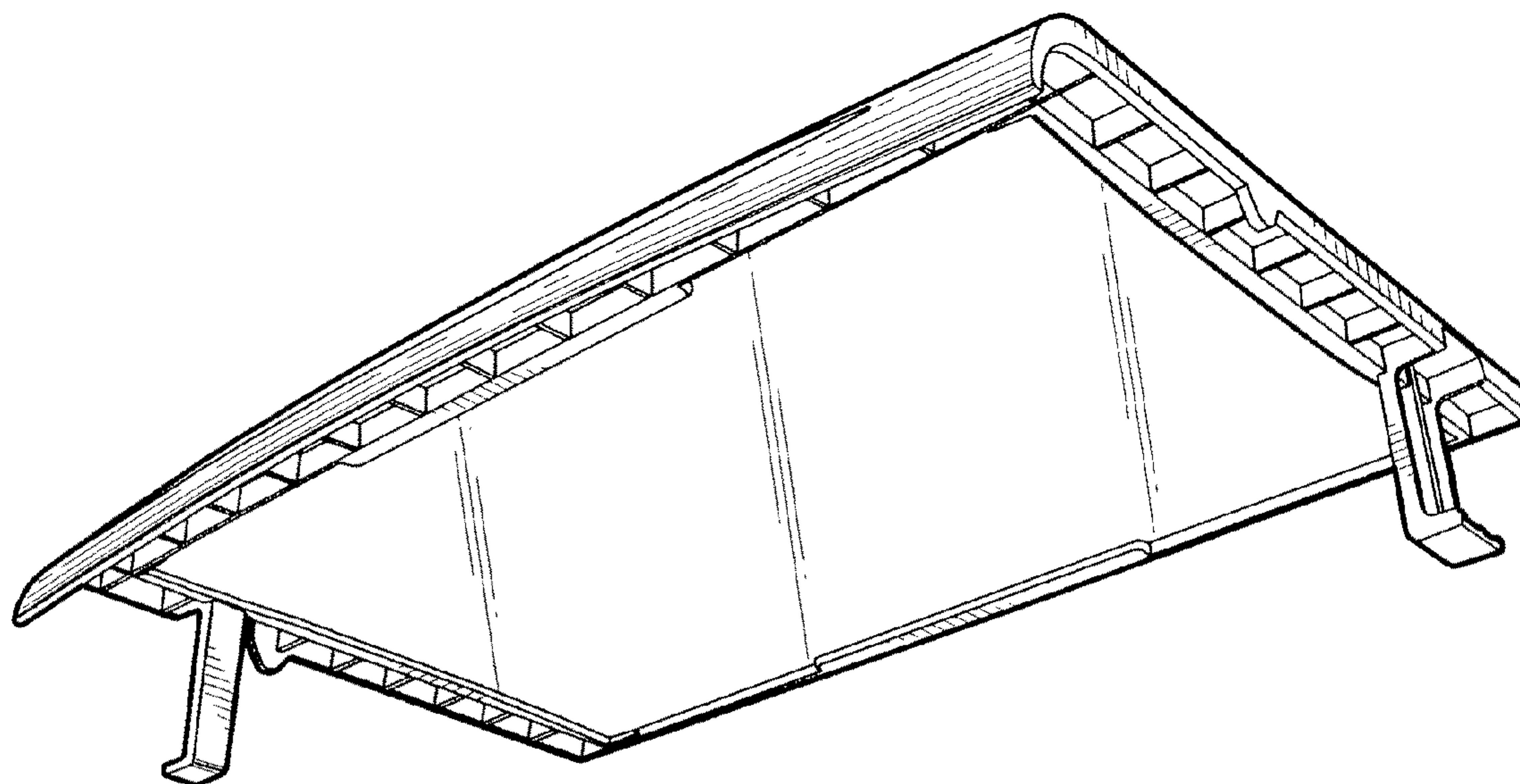


Fig. 8

UNITED STATES PATENT AND TRADEMARK OFFICE
CERTIFICATE OF CORRECTION

PATENT NO. : Des. 552,636 S
APPLICATION NO. : 29/275116
DATED : October 9, 2007
INVENTOR(S) : Vardon

Page 1 of 1

It is certified that error appears in the above-identified patent and that said Letters Patent is hereby corrected as shown below:

On the title page, the Terminal Disclaimer information has been omitted. Item (45) and the Notice information should read:


-- (45) **Date of Patent:** ** *Oct. 9, 2007

(* Notice: This patent is subject to a terminal disclaimer

(**) Term: 14 Years --

Signed and Sealed this

Eleventh Day of December, 2007

A handwritten signature in black ink on a light gray dotted background. The signature reads "Jon W. Dudas" in a cursive style.

JON W. DUDAS

Director of the United States Patent and Trademark Office