



US00D552635S

(12) **United States Design Patent**
Janiszewski

(10) **Patent No.:** **US D552,635 S**

(45) **Date of Patent:** **** Oct. 9, 2007**

(54) **FROZEN TREAT HOLDER**

(76) Inventor: **John K. Janiszewski**, 3146 Kipling,
Berkley, MI (US) 48072

(**) Term: **14 Years**

(21) Appl. No.: **29/267,135**

(22) Filed: **Oct. 5, 2006**

(51) **LOC (8) Cl.** **15-07**

(52) **U.S. Cl.** **D15/90**

(58) **Field of Classification Search** D15/79,
D15/80, 82, 89, 90; D9/600; D21/398; D7/213,
D7/387, 506, 539, 551.1, 556, 567, 571, 604,
D7/606; 206/216, 524.1, 527, 563; 62/3.1,
62/3.6, 3.63, 45.1, 293, 331, 371, 440, 467,
62/529, 531; D1/106, 116; 425/118; D30/199
See application file for complete search history.

(56) **References Cited**

U.S. PATENT DOCUMENTS

- 4,291,805 A * 9/1981 Seeley 206/563
- D295,570 S * 5/1988 Muello D1/116
- D324,753 S * 3/1992 Meyers et al. D1/106
- D495,462 S * 9/2004 Haro D1/106
- D508,761 S * 8/2005 Haro D1/106
- D513,106 S * 12/2005 Haro D1/106

- D513,823 S * 1/2006 Haro D1/106
- D518,606 S * 4/2006 Cross D30/199
- D537,850 S * 3/2007 Moore et al. D15/90

* cited by examiner

Primary Examiner—Stella Reid
Assistant Examiner—Shanda C. Hill
(74) *Attorney, Agent, or Firm*—Carlson, Gaskey & Olds

(57) **CLAIM**

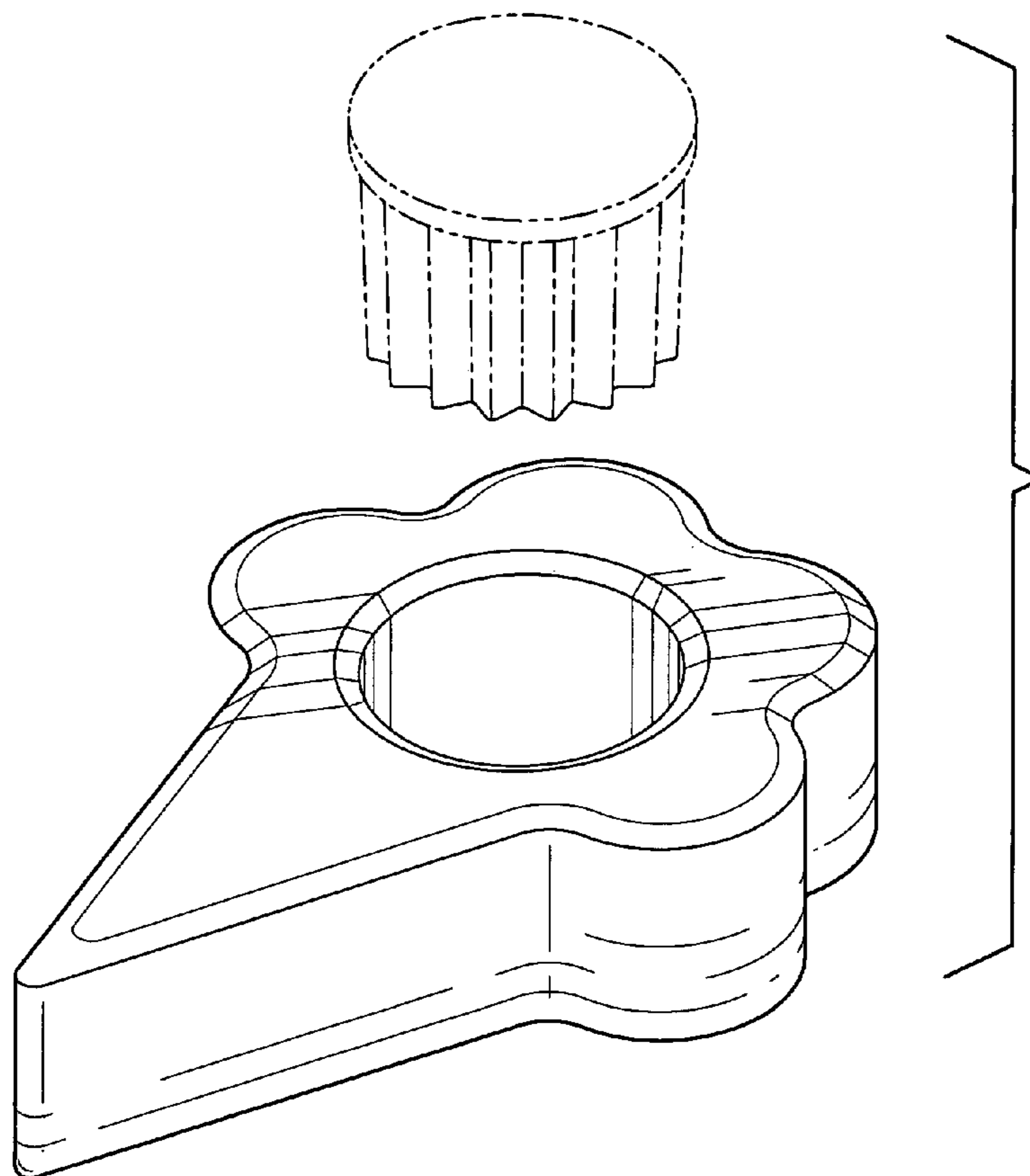
I claim the ornamental design for a frozen treat holder, as shown and described.

DESCRIPTION

FIG. 1 is a perspective view of a frozen treat holder;
FIG. 2 is a top view of the frozen treat holder;
FIG. 3 is a bottom view of the frozen treat holder;
FIG. 4 is a side view of the frozen treat holder;
FIG. 5 is another side view of the frozen treat holder; and,
FIG. 6 is a cross-sectional view of the frozen treat holder of
FIG. 2 taken along line 6—6.

The broken lines shown in the drawing disclosure are for illustrative purposes only and form no part of the claimed design.

1 Claim, 2 Drawing Sheets



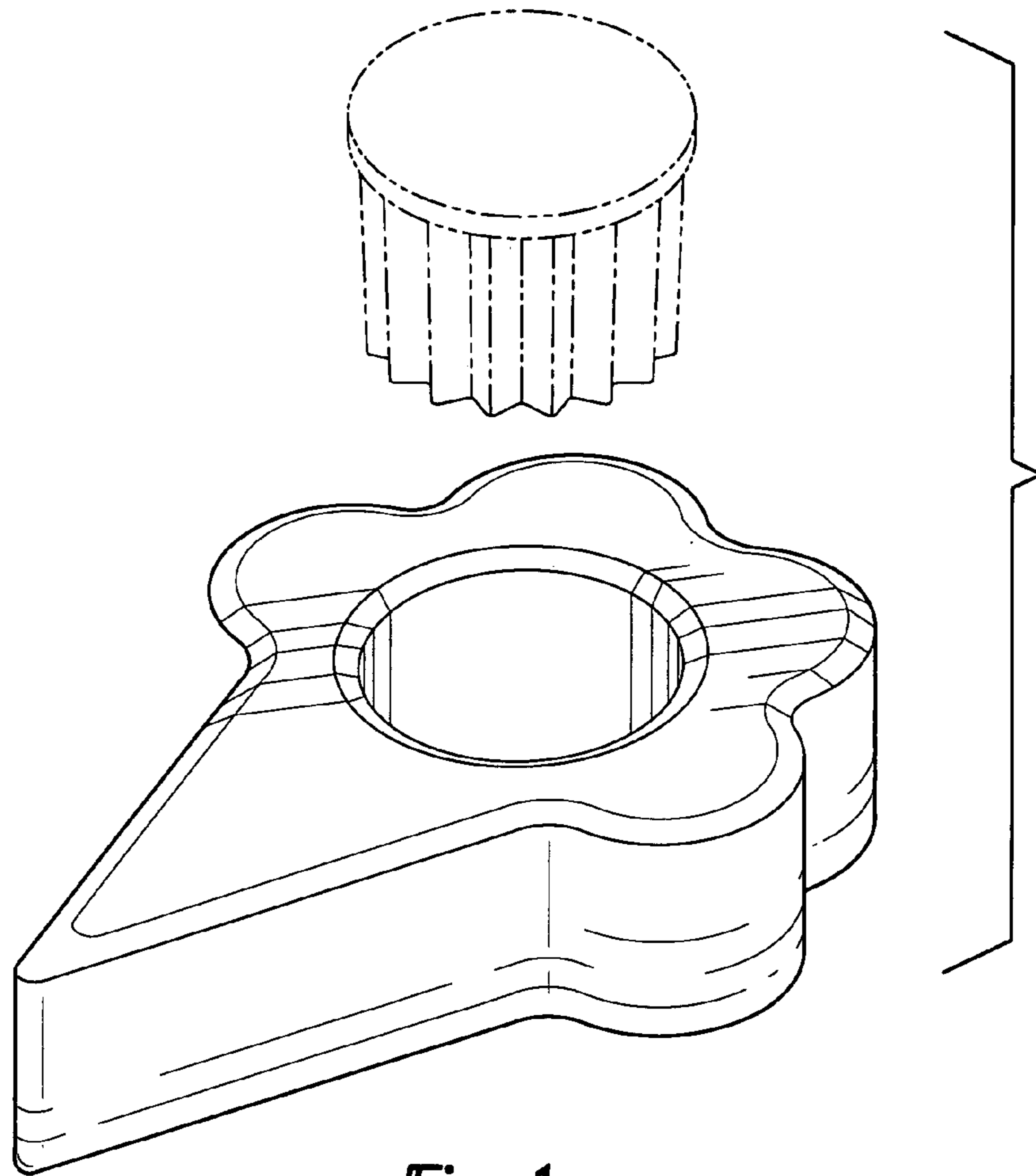


Fig-1

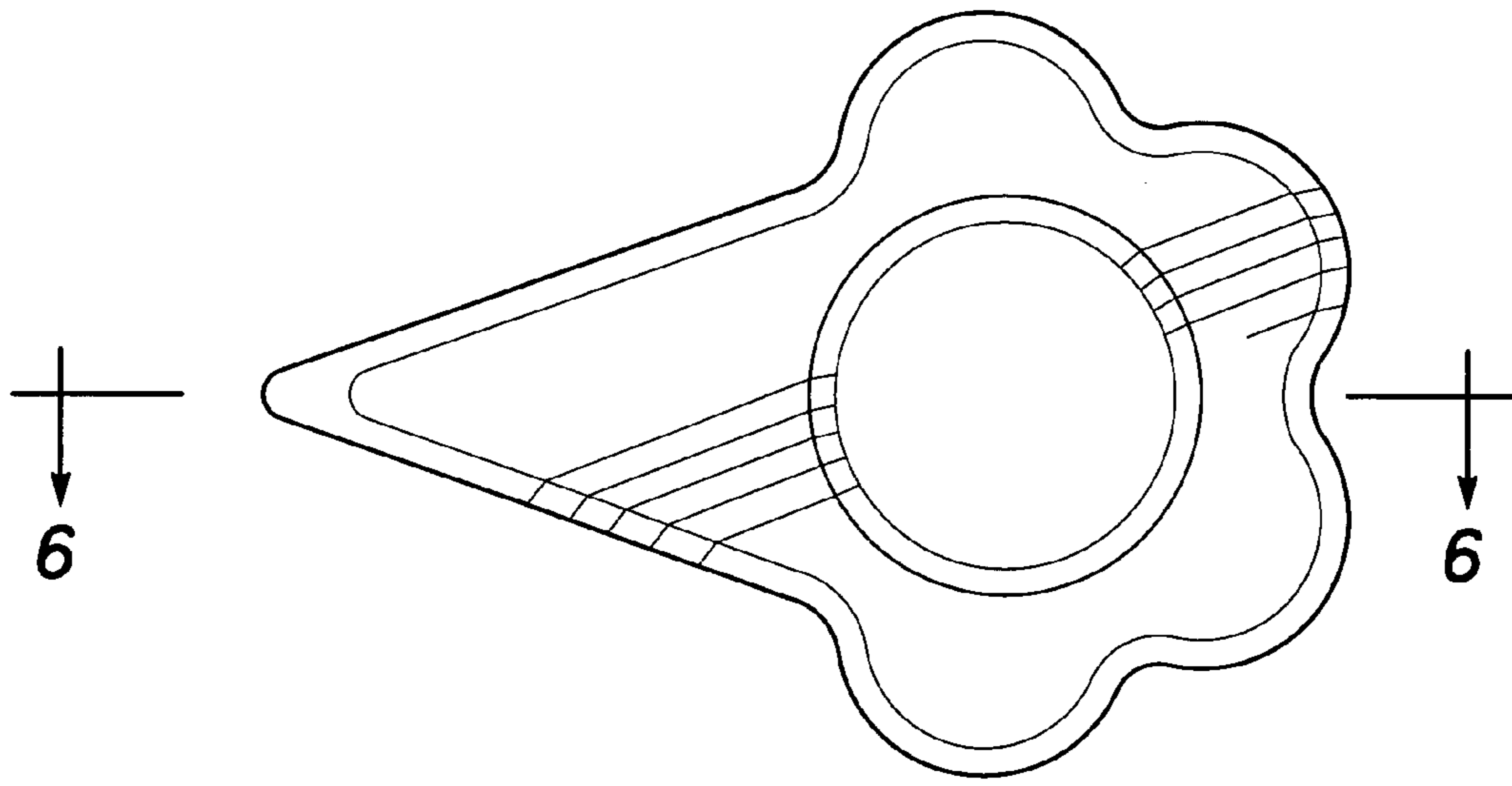


Fig-2

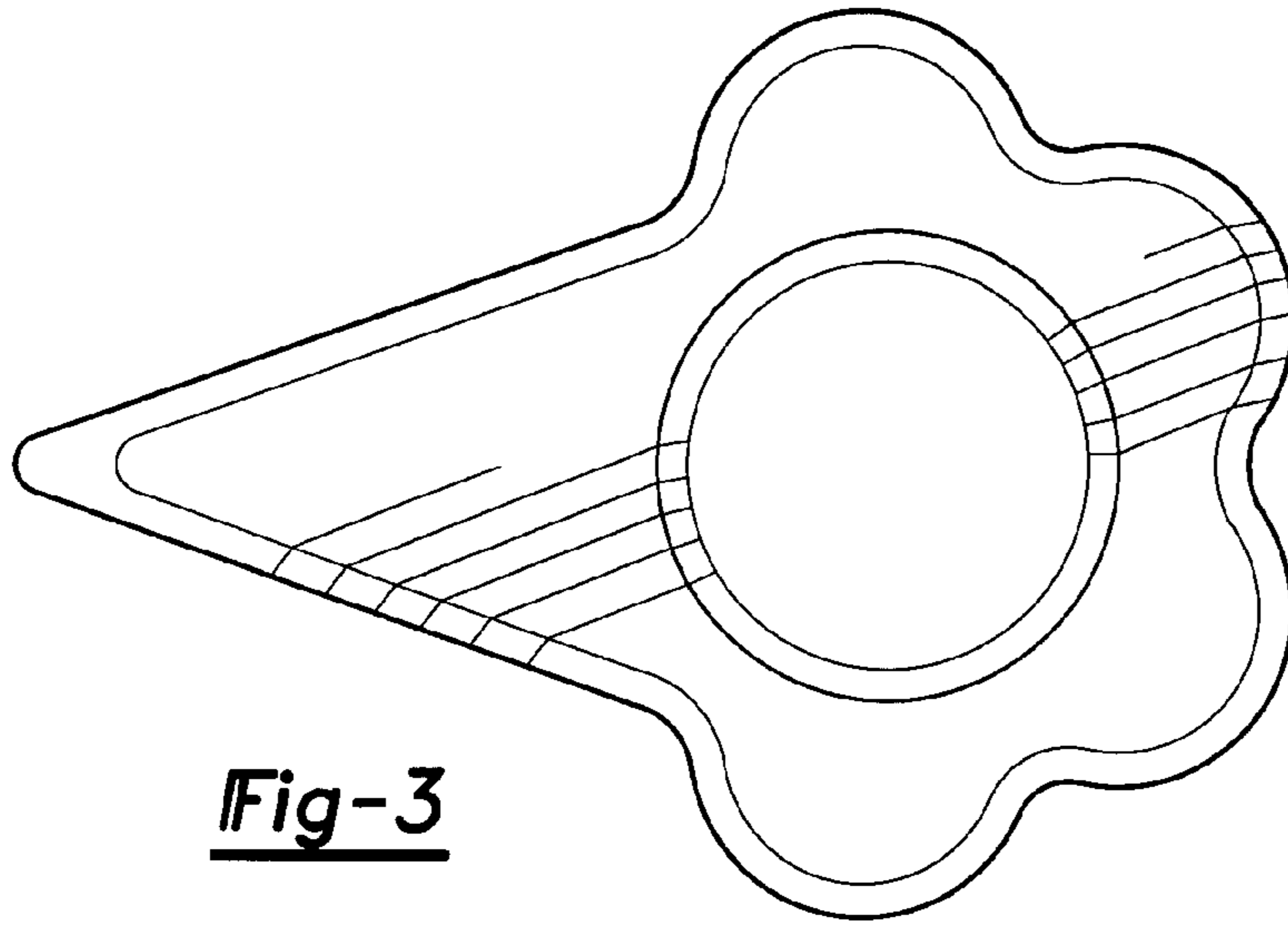


Fig-3

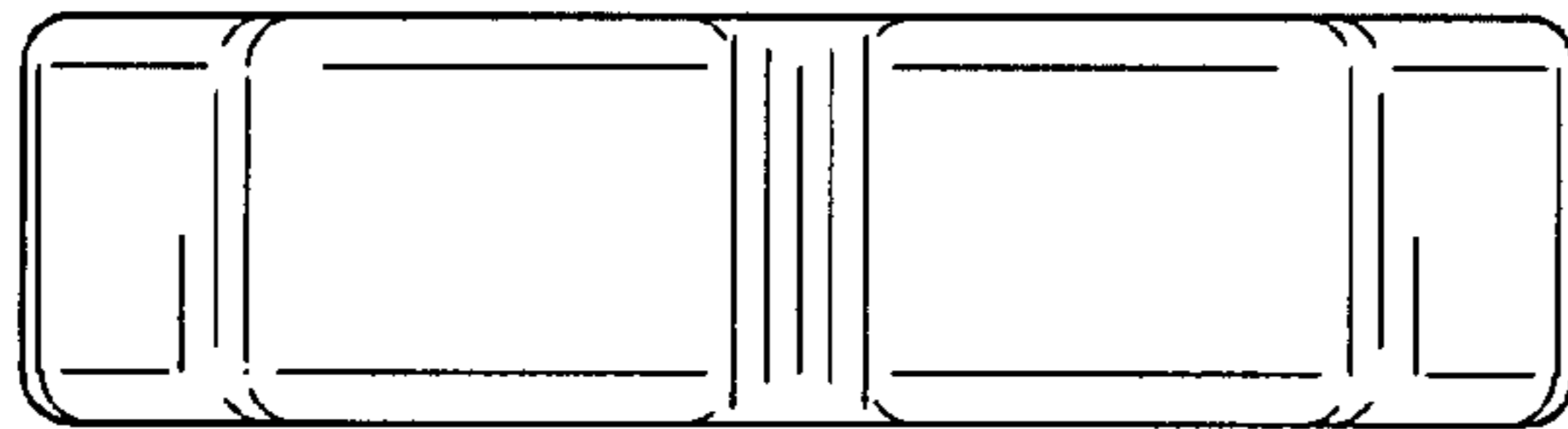


Fig-4

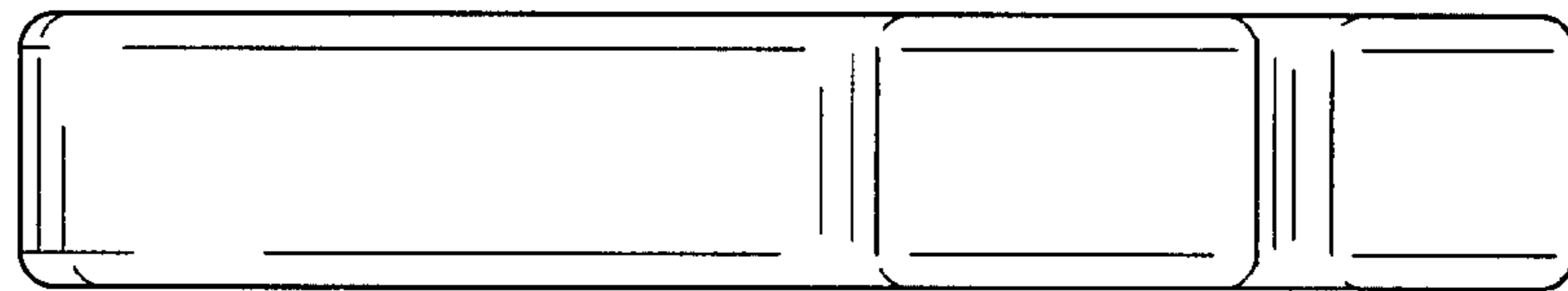


Fig-5

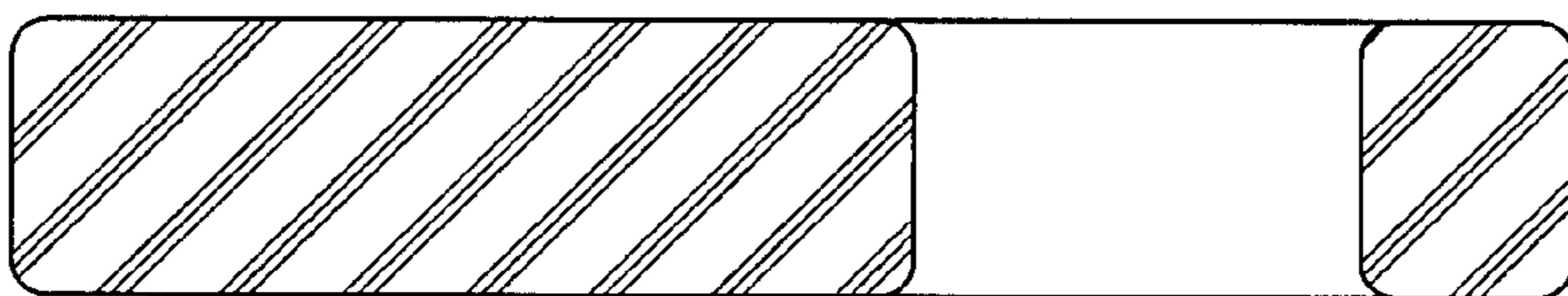
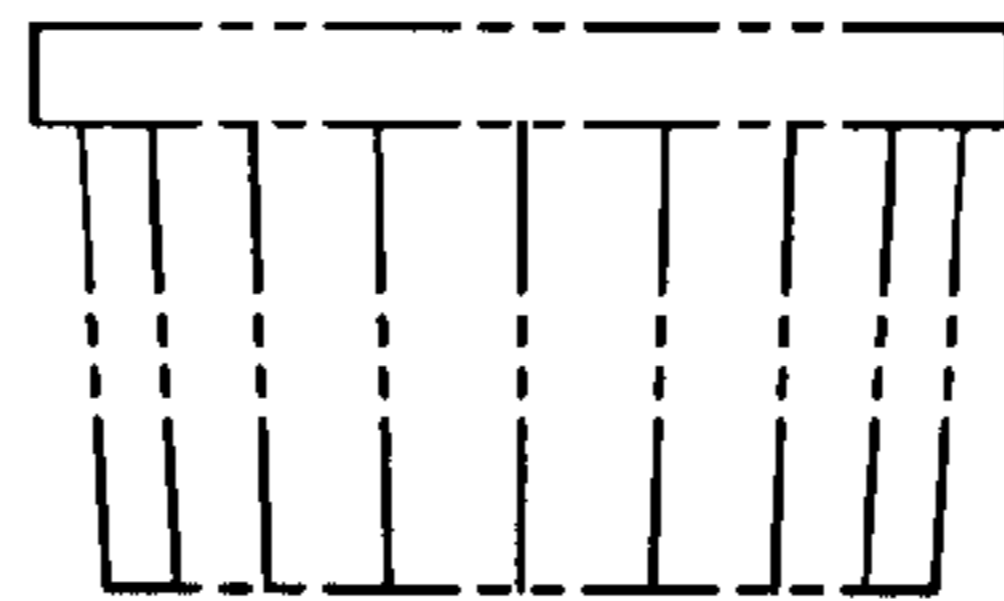


Fig-6