



US00D552634S

(12) **United States Design Patent**
Janiszewski

(10) **Patent No.:** **US D552,634 S**

(45) **Date of Patent:** **** Oct. 9, 2007**

(54) **FROZEN TREAT HOLDER**

(76) Inventor: **John K. Janiszewski**, 3146 Kipling,
Berkley, MI (US) 48072

(**) Term: **14 Years**

(21) Appl. No.: **29/267,122**

(22) Filed: **Oct. 5, 2006**

(51) **LOC (8) Cl.** **15-07**

(52) **U.S. Cl.** **D15/90**

(58) **Field of Classification Search** D15/79,
D15/80, 82, 89, 90; D3/271.2; D21/398;
D7/213, 387, 506, 539, 551.1, 556, 567, 571,
D7/604, 606; 206/216, 524.1, 527; 62/3.1,
62/3.6, 3.63, 45.1, 293, 331, 371, 440, 467,
62/529, 531; D1/106; D30/129, 130, 160,
D30/199; D6/515, 518; 264/117.13; 119/28.5
See application file for complete search history.

(56) **References Cited**

U.S. PATENT DOCUMENTS

4,763,604	A	*	8/1988	Meekins	119/28.5
D300,068	S	*	2/1989	Pritikin et al.	D30/129
D303,728	S	*	10/1989	Spanier et al.	D1/106
D305,950	S	*	2/1990	Spiel et al.	D1/106
D305,951	S	*	2/1990	Spiel et al.	D1/106
D428,136	S	*	7/2000	Cady et al.	D24/101
D476,808	S	*	7/2003	Carr	D3/271.2
D481,867	S	*	11/2003	Hotz	D3/271.2

D498,955	S	*	11/2004	Edwards	D6/515
D512,539	S	*	12/2005	Brunes et al.	D30/130
D521,782	S	*	5/2006	Edwards	D6/518
D523,591	S	*	6/2006	Kreamer	D30/160
D537,850	S	*	3/2007	Moore et al.	D15/90

* cited by examiner

Primary Examiner—Stella Reid

Assistant Examiner—Shanda C. Hill

(74) *Attorney, Agent, or Firm*—Carlson, Gaskey & Olds

(57) **CLAIM**

I claim the ornamental design for a frozen treat holder, as shown and described.

DESCRIPTION

FIG. 1 is a perspective view of a frozen treat holder;

FIG. 2 is a top view of the frozen treat holder;

FIG. 3 is a bottom view of the frozen treat holder;

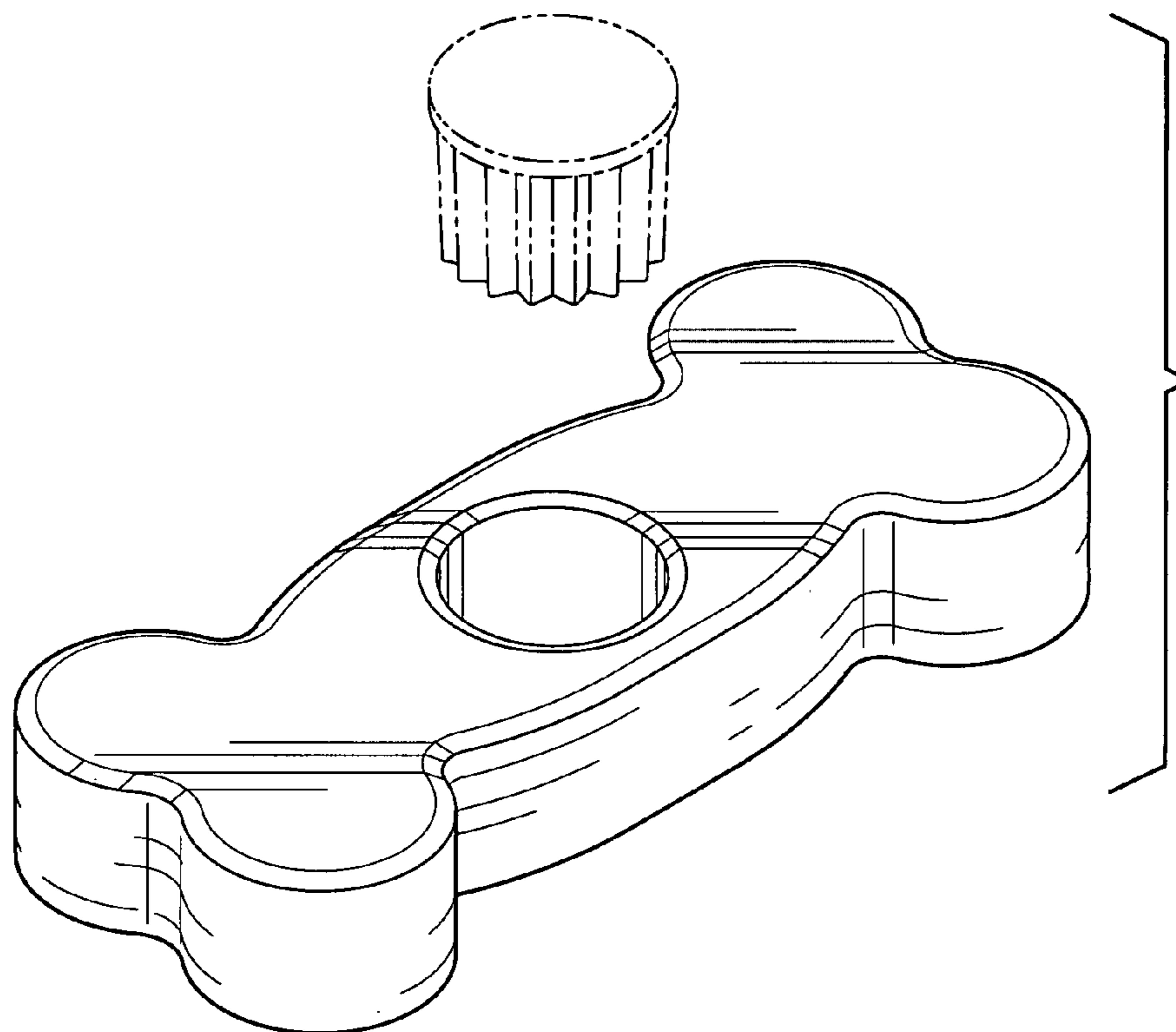
FIG. 4 is a side view of the frozen treat holder;

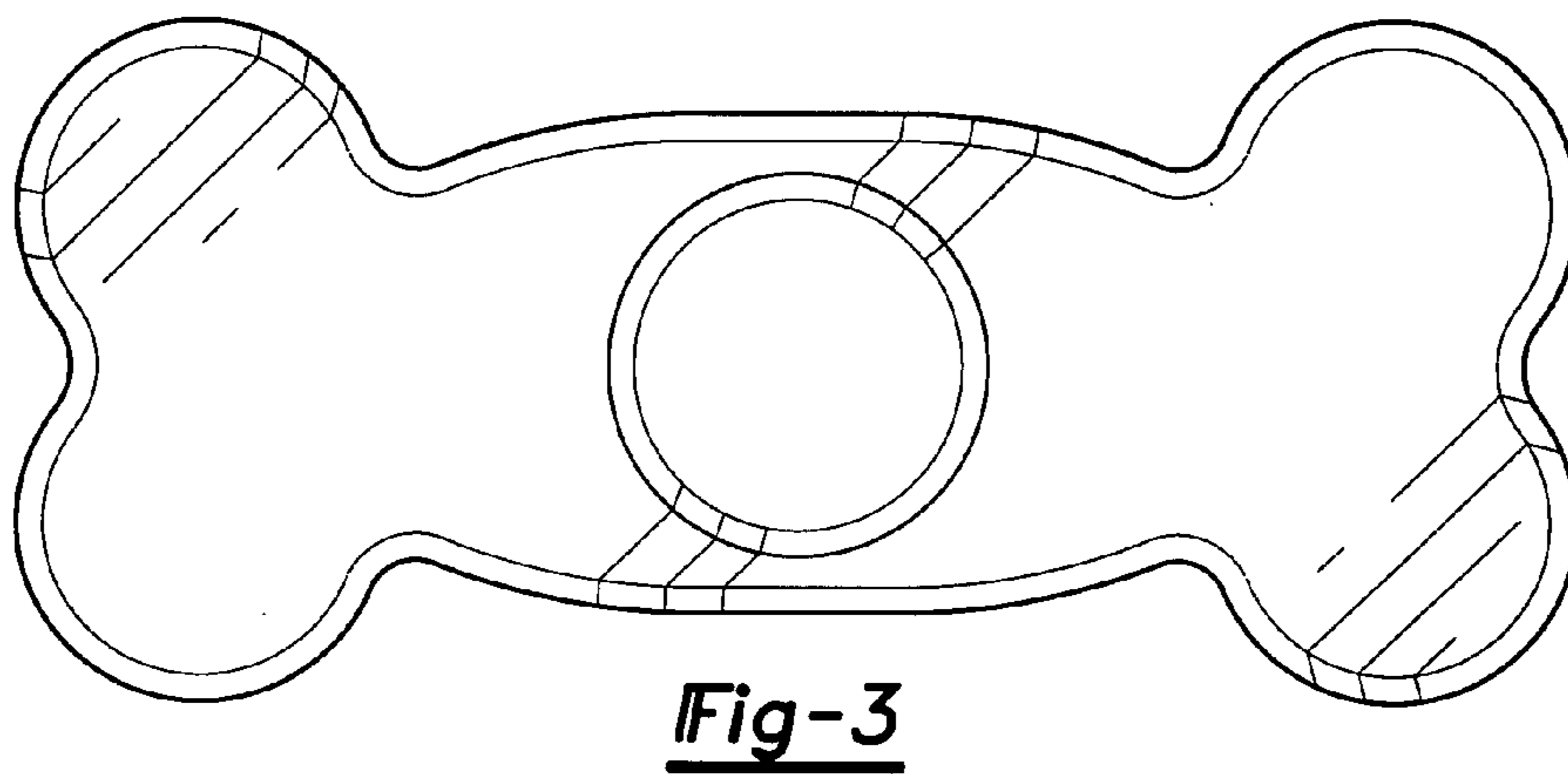
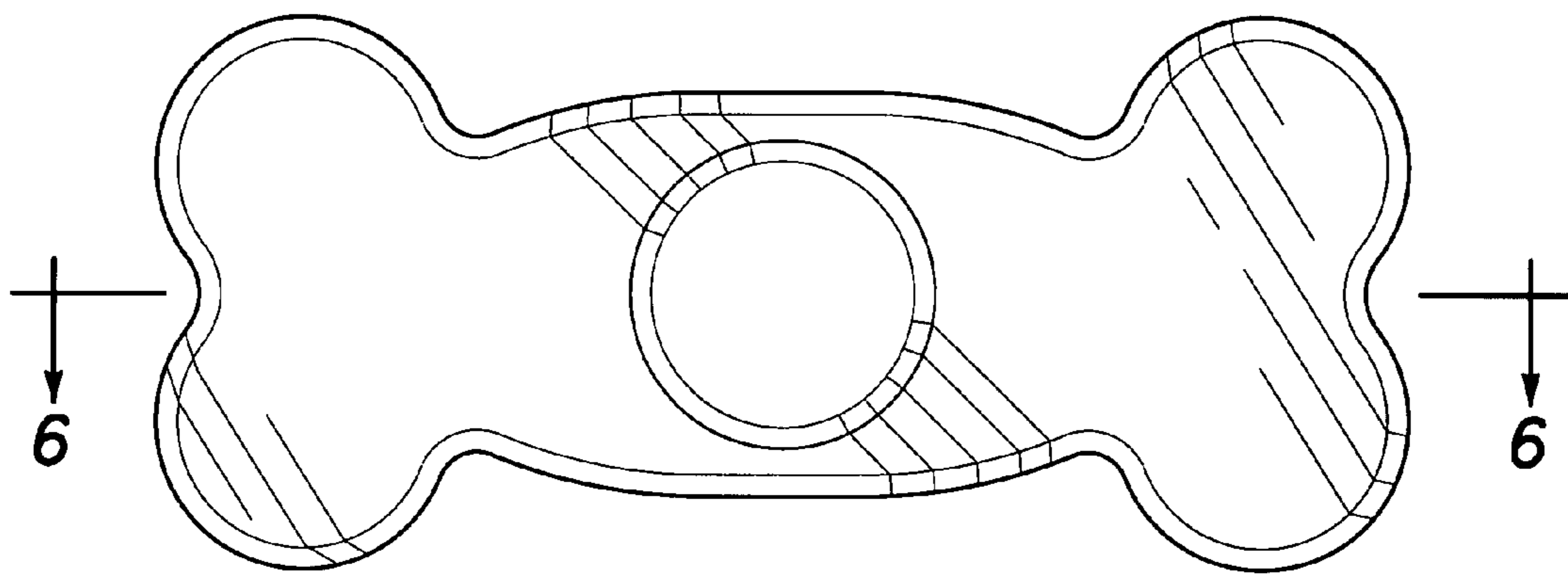
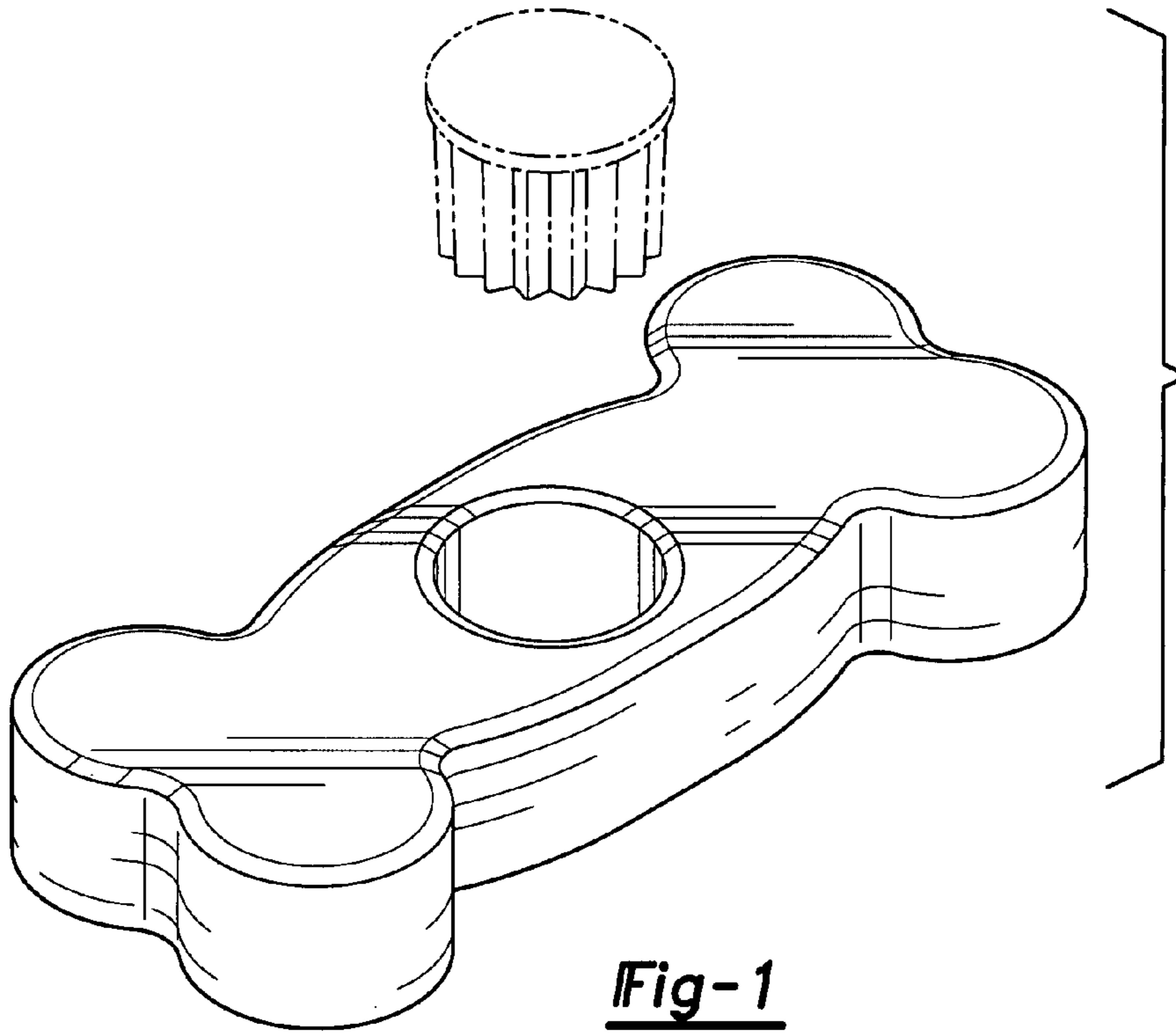
FIG. 5 is another side view of the frozen treat holder; and,

FIG. 6 is a cross-sectional view of the frozen treat holder of FIG. 2 taken along line 6—6.

The broken lines shown in the drawing disclosure are for illustrative purposes only and form no part of the claimed design.

1 Claim, 2 Drawing Sheets





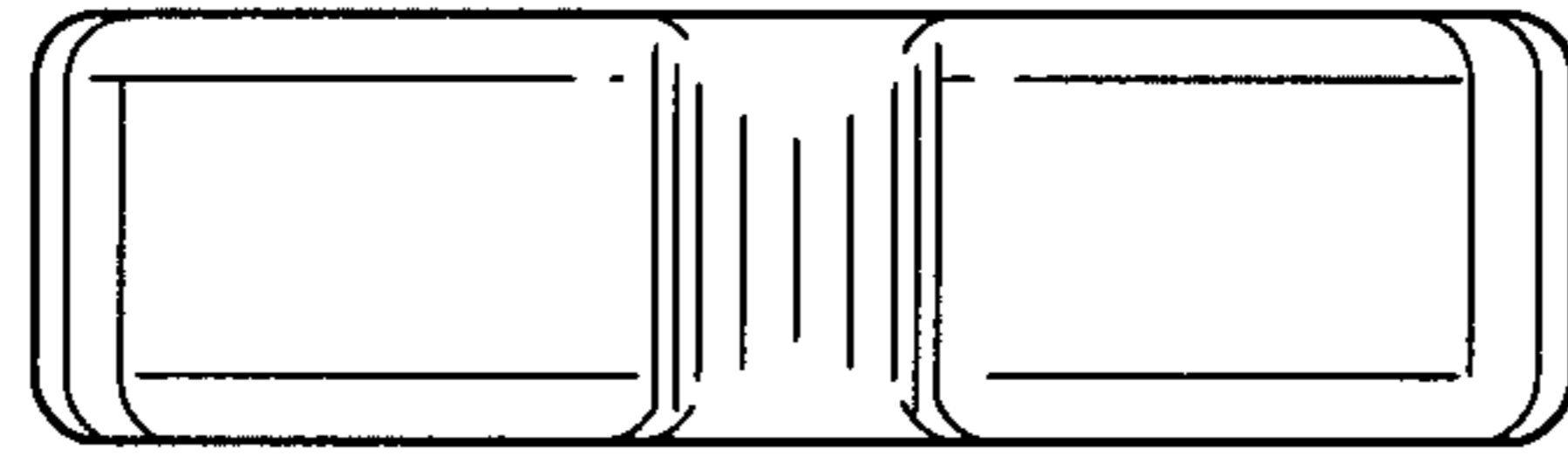


Fig-4

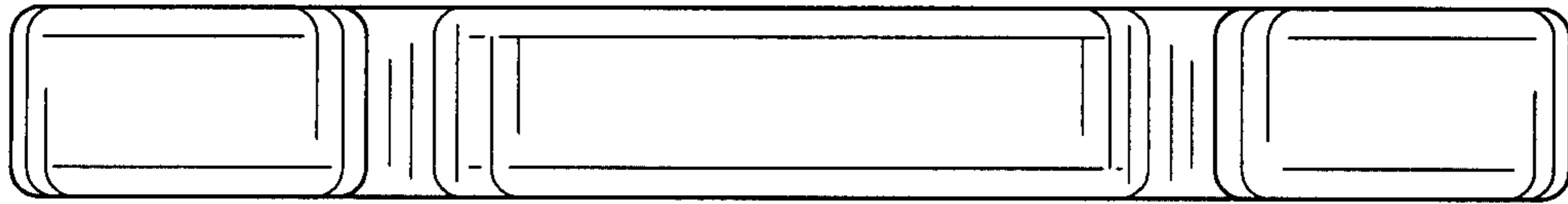


Fig-5

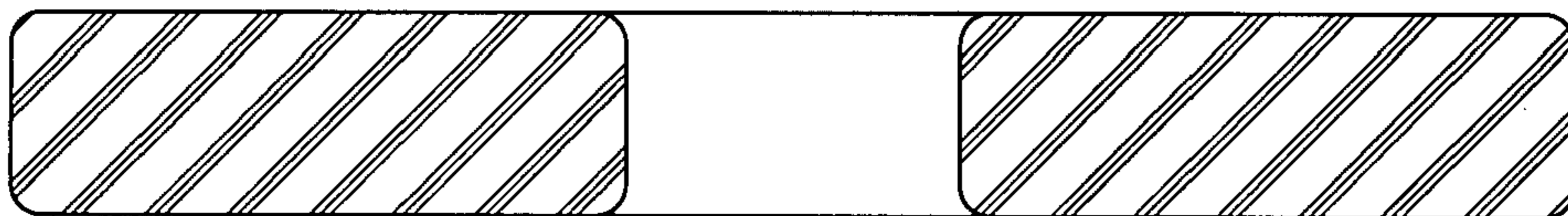
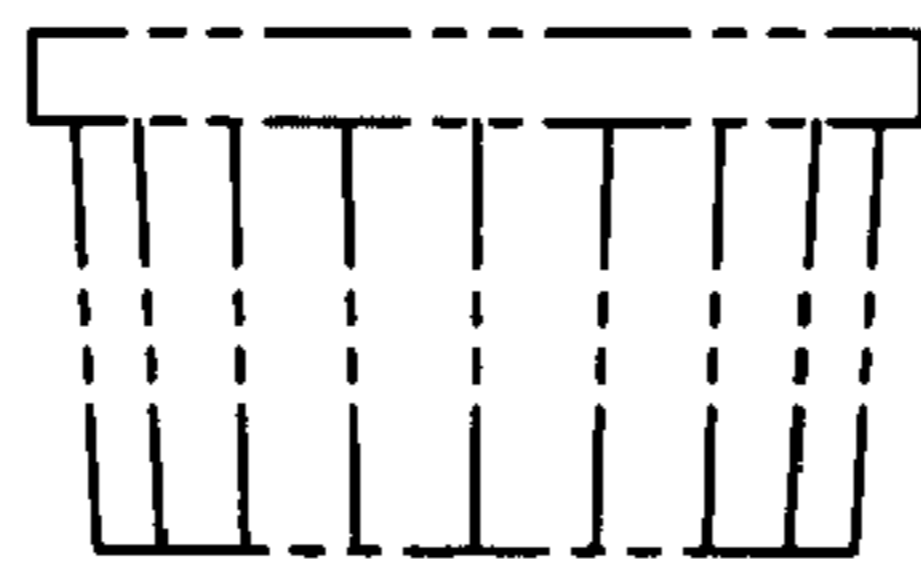


Fig-6