



US00D552630S

(12) **United States Design Patent**
Garrison et al.

(10) **Patent No.:** **US D552,630 S**

(45) **Date of Patent:** **** Oct. 9, 2007**

(54) **GRUBBER**

(76) Inventors: **Perry A. Garrison**, 2100 Sandy La.,
Bellevue, TX (US) 76228; **Riley J.**
Garrison, 2100 Sandy La., Bellevue,
TX (US) 76228

(**) Term: **14 Years**

(21) Appl. No.: **29/262,797**

(22) Filed: **Jul. 12, 2006**

(51) **LOC (8) Cl.** **15-03**

(52) **U.S. Cl.** **D15/27; D15/33**

(58) **Field of Classification Search** D15/10,
D15/11, 12, 17, 21, 25, 26, 28, 29, 32, 33;
37/301, 302, 404; 172/817, 699, 720, 311,
172/799.5, 272, 274, 776, 134, 669, 237,
172/439

See application file for complete search history.

(56) **References Cited**

U.S. PATENT DOCUMENTS

1,855,604	A *	4/1932	Lindeman	172/237
2,047,310	A *	7/1936	Cohea et al.	172/669
2,513,129	A	6/1950	Allison et al.	
2,650,063	A *	8/1953	Hawkins	254/132
2,672,081	A *	3/1954	Forgy	172/464
3,048,229	A *	8/1962	Simpson	172/698
3,101,794	A *	8/1963	Bechman	172/698
3,777,823	A	12/1973	Holfeld	
4,002,208	A	1/1977	Rougeau	
4,108,249	A	8/1978	Anderson et al.	
4,315,547	A *	2/1982	Rau et al.	172/1
4,355,475	A *	10/1982	Harkness	37/301
4,356,644	A *	11/1982	Harkness	37/301
D267,320	S *	12/1982	Symonds	D15/11
4,391,334	A *	7/1983	Carrick	172/326
D295,979	S *	5/1988	Baeta	D15/27

4,895,211	A *	1/1990	Harris	172/271
5,000,267	A	3/1991	Harrell	
D339,358	S *	9/1993	Van Mill et al.	D15/27
5,289,880	A	3/1994	Barto	
5,330,287	A *	7/1994	Constantin	404/90
5,490,340	A *	2/1996	Muncy	37/301
6,279,665	B1 *	8/2001	Devaney	172/19
6,615,929	B2 *	9/2003	Heckendorf	172/799.5
6,662,479	B2 *	12/2003	Chaney	37/301
6,763,618	B1 *	7/2004	Moran	37/301
2004/0079539	A1	4/2004	Schmidt	

* cited by examiner

Primary Examiner—Stella Reid

Assistant Examiner—Mark Goodwin

(74) *Attorney, Agent, or Firm*—Stephen R. Greiner

(57) **CLAIM**

The ornamental design for a grubber, as shown and described.

DESCRIPTION

FIG. 1 is a perspective view of a grubber showing our new design;

FIG. 2 is a left side elevational view thereof;

FIG. 3 is a front elevational view thereof;

FIG. 4 is a right side elevational view thereof;

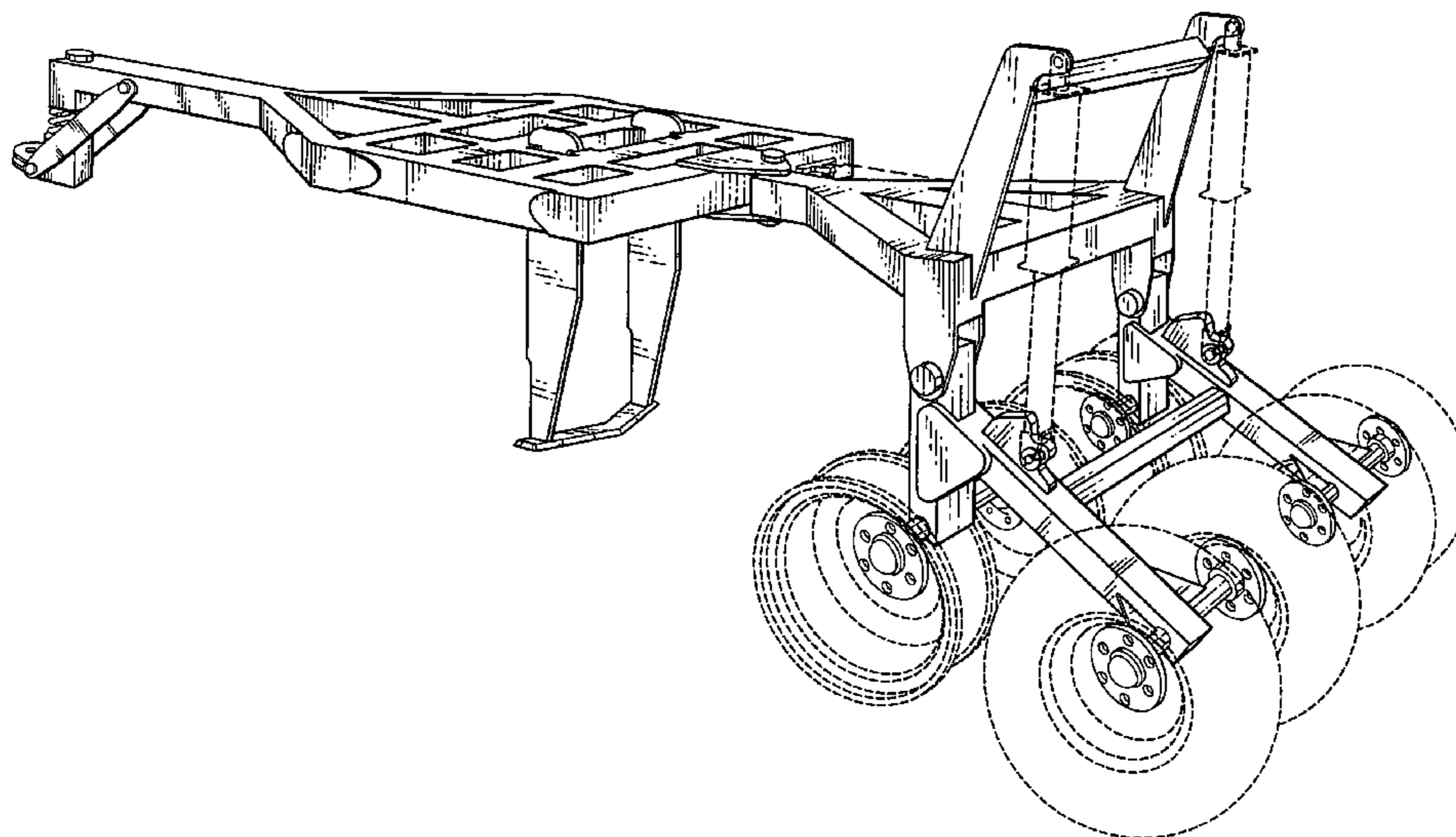
FIG. 5 is a top view thereof;

FIG. 6 is a rear elevational view thereof; and,

FIG. 7 is a bottom view thereof.

The broken line showing of the wheels and hydraulic cylinders in FIGS. 1–7 is included for the purpose of illustrating portions of the grubber and forms no part of the claimed design.

1 Claim, 4 Drawing Sheets



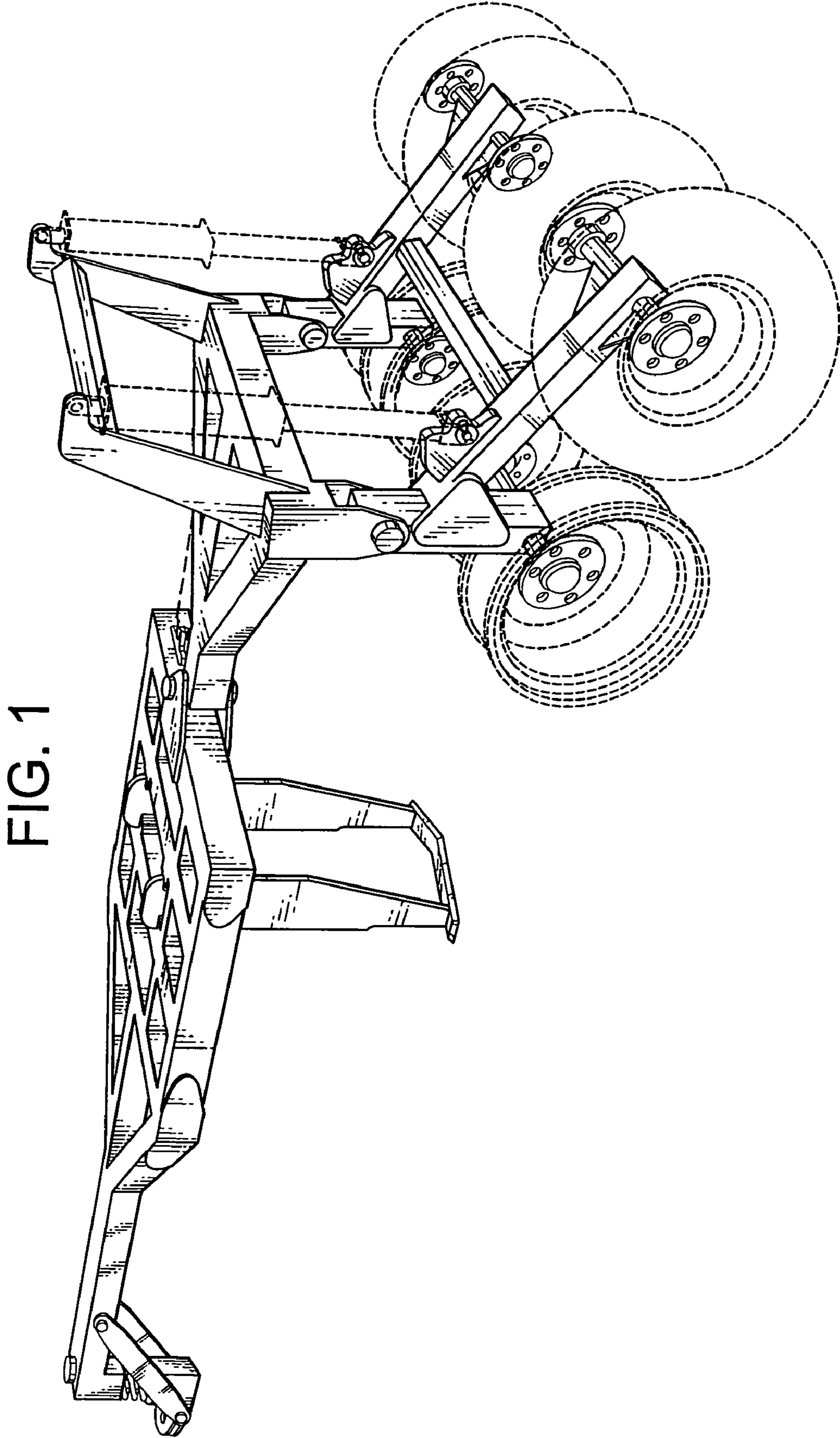


FIG. 1

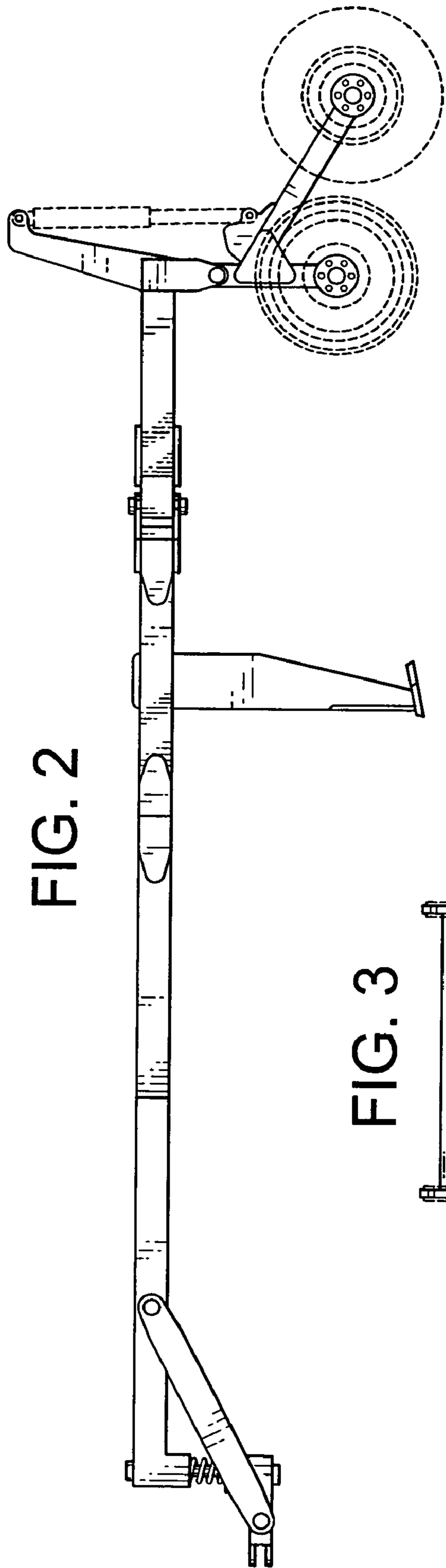


FIG. 3

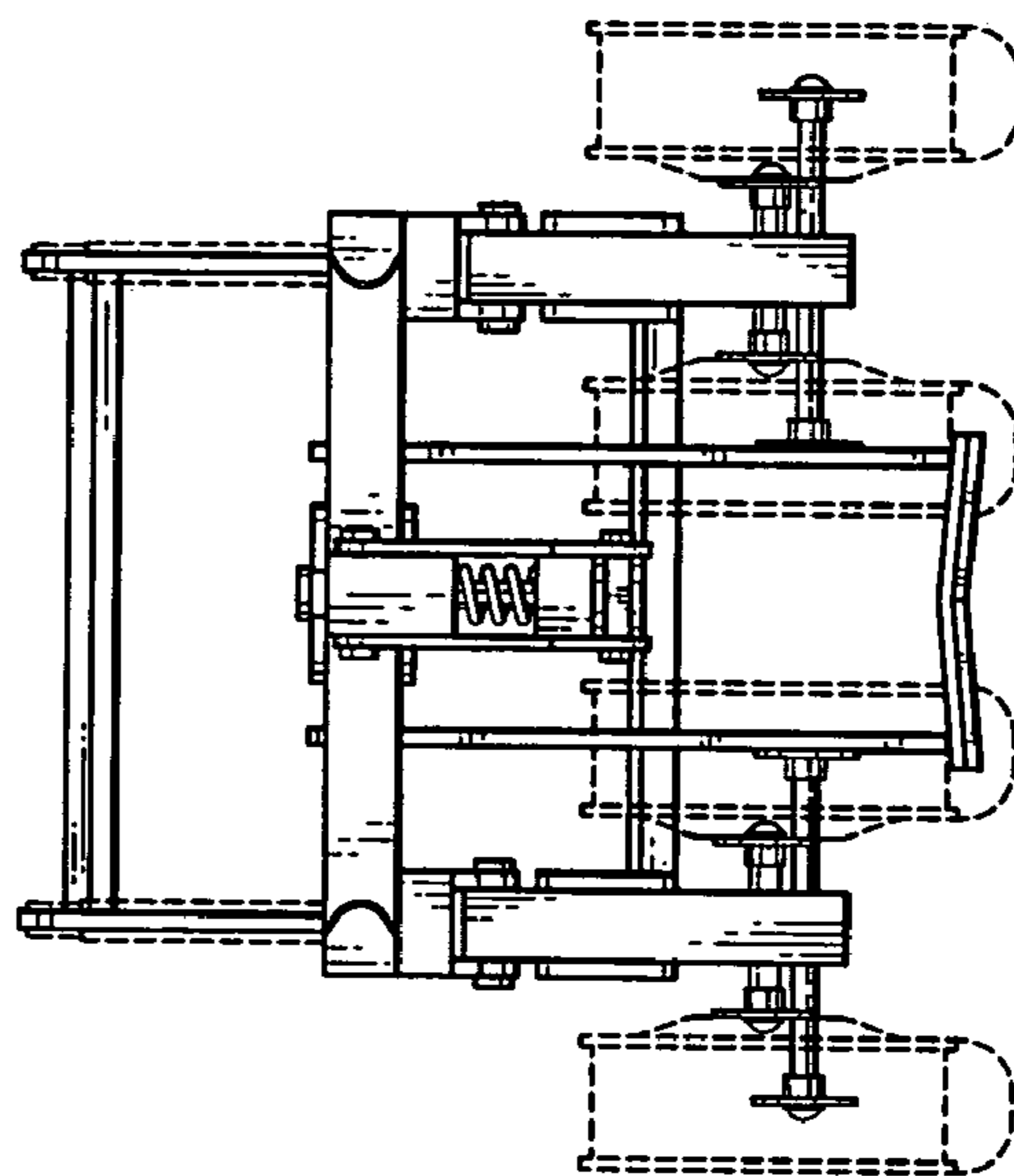


FIG. 4

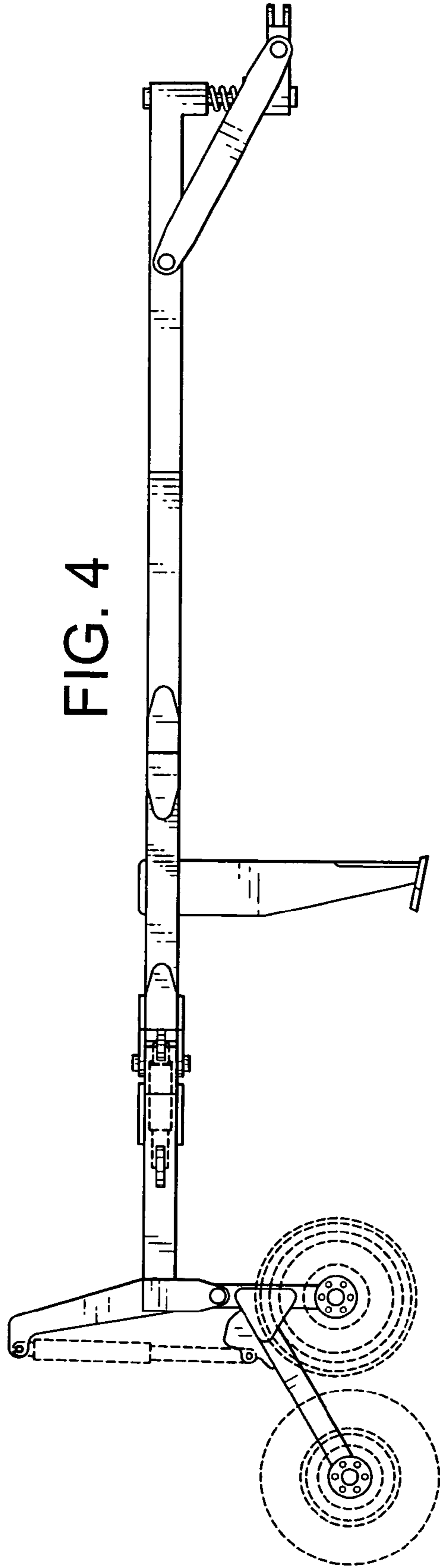
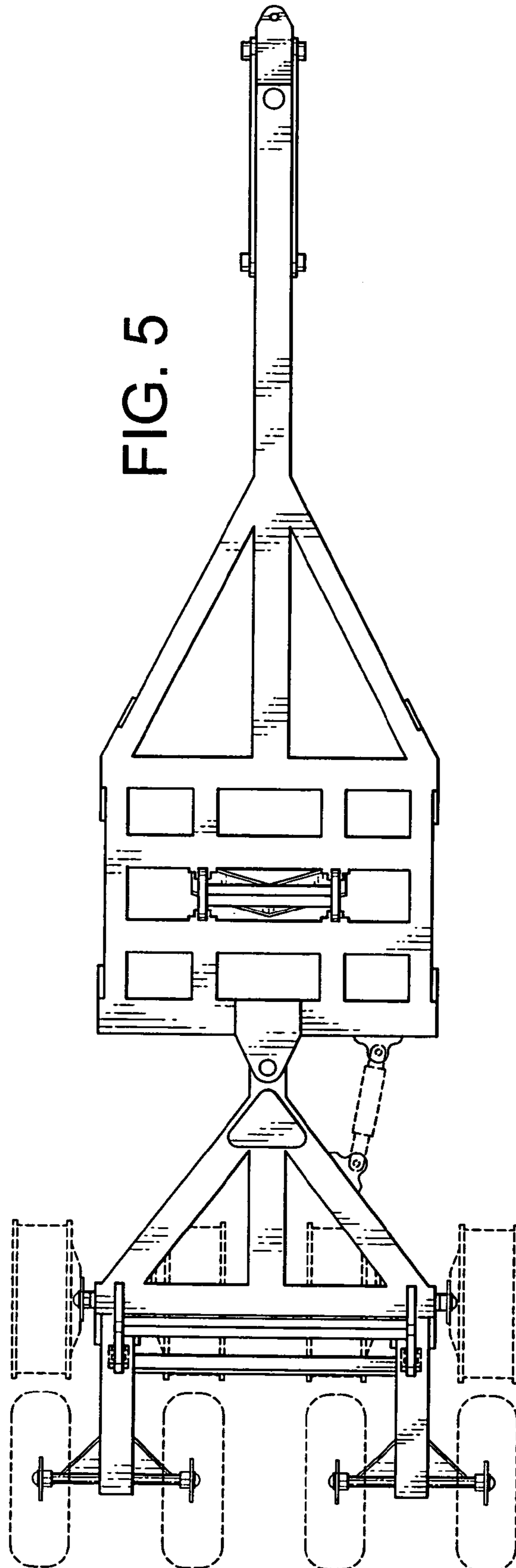


FIG. 5



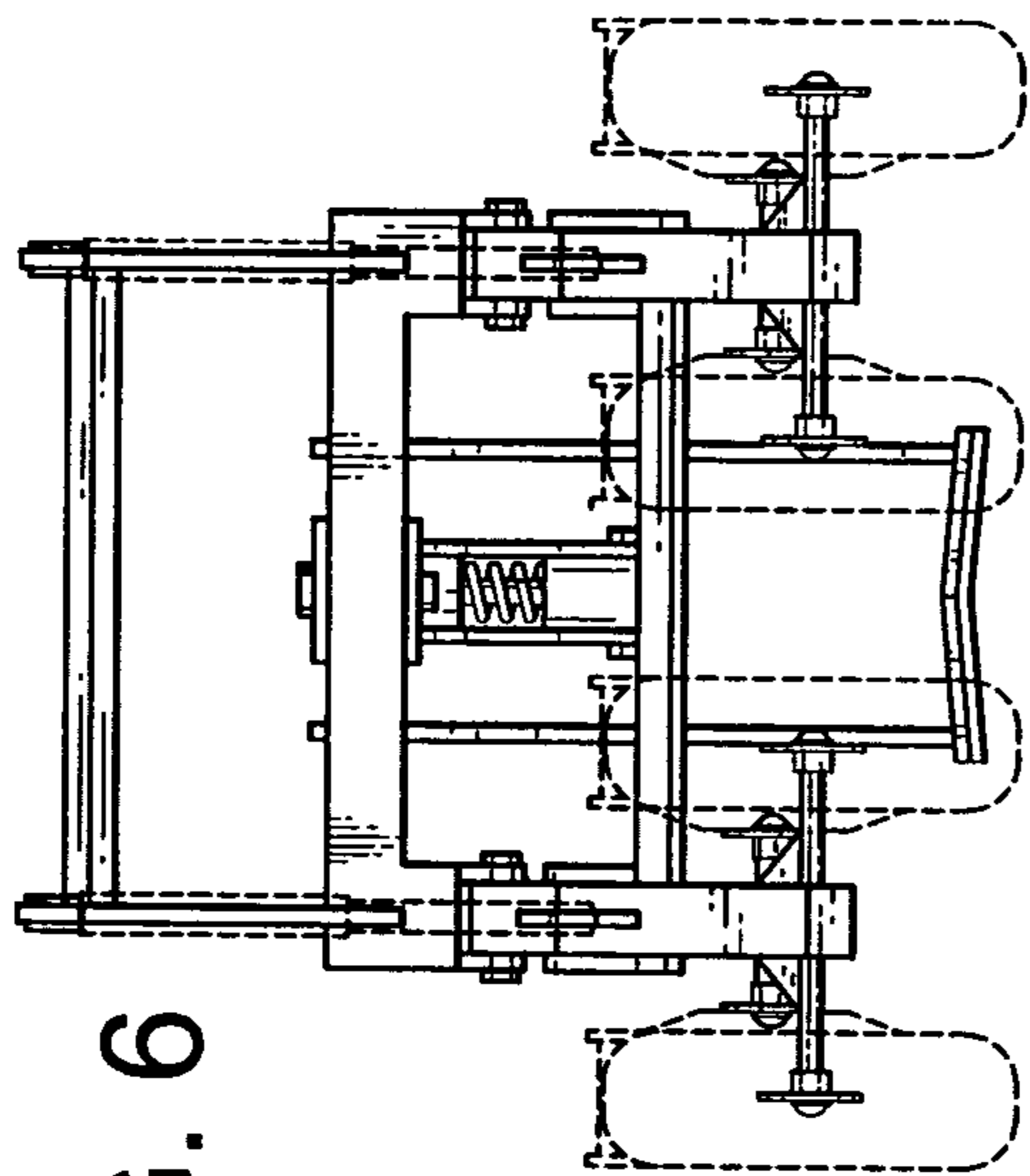


FIG. 6

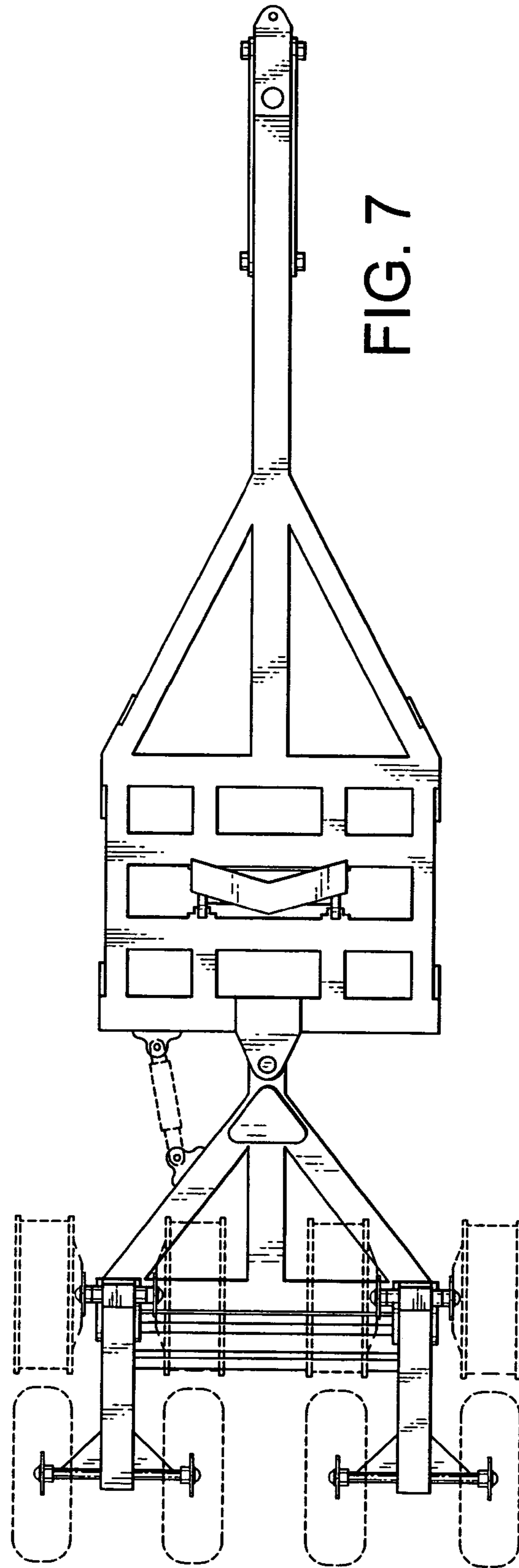


FIG. 7