



US00D552629S

(12) **United States Design Patent**
Kumagai et al.

(10) **Patent No.:** **US D552,629 S**

(45) **Date of Patent:** **** Oct. 9, 2007**

(54) **BULLDOZER**

(75) Inventors: **Tomoya Kumagai**, Minato-ku (JP);
Kazumasa Fukazawa, Komatsu (JP);
Makoto Yomogita, Hirakata (JP);
Masayuki Mukaino, Chattanooga, TN
(US); **David Andrews**, Chattanooga,
TN (US)

(73) Assignee: **Komatsu Ltd.**, Tokyo (JP)

(**) Term: **14 Years**

(21) Appl. No.: **29/249,380**

(22) Filed: **Oct. 4, 2006**

Related U.S. Application Data

(62) Division of application No. 29/245,364, filed on Dec. 22, 2005.

(51) **LOC (8) Cl.** **12-09**

(52) **U.S. Cl.** **D15/24; D15/25**

(58) **Field of Classification Search** D15/10,
D15/22-26; D21/537; 180/9.1, 9.21, 9.28,
180/9.3, 9.5, 89.1, 89.12, 900
See application file for complete search history.

(56) **References Cited**

U.S. PATENT DOCUMENTS

D251,845 S 5/1979 Joupperi et al. D15/24
D274,333 S * 6/1984 Meisel et al. D15/24
D274,621 S 7/1984 Takamatsu et al. D15/24

D302,276 S 7/1989 Briggs et al. D15/24
D314,388 S 2/1991 Brewer et al. D15/24
D375,506 S 11/1996 Bastian et al. D15/24
D401,292 S 11/1998 Park D21/537
D483,043 S * 12/2003 Akashima et al. D15/24
D499,748 S 12/2004 Komatsu et al. D15/24
6,863,461 B2 3/2005 Werner 403/43
2005/0077062 A1 4/2005 Fukazawa et al. 172/776

* cited by examiner

Primary Examiner—Stella Reid

Assistant Examiner—Mark Goodwin

(74) *Attorney, Agent, or Firm*—Synnestvedt & Lechner LLP

(57) **CLAIM**

The ornamental design for a bulldozer, as shown and described.

DESCRIPTION

FIG. 1 is a front perspective view of a bulldozer showing our new design;

FIG. 2 is a rear perspective view thereof;

FIG. 3 is a front view thereof;

FIG. 4 is a rear view thereof;

FIG. 5 is a top plan view thereof;

FIG. 6 is a bottom plan view thereof;

FIG. 7 is a right side elevational view thereof; and,

FIG. 8 is a left side elevational view thereof.

1 Claim, 5 Drawing Sheets

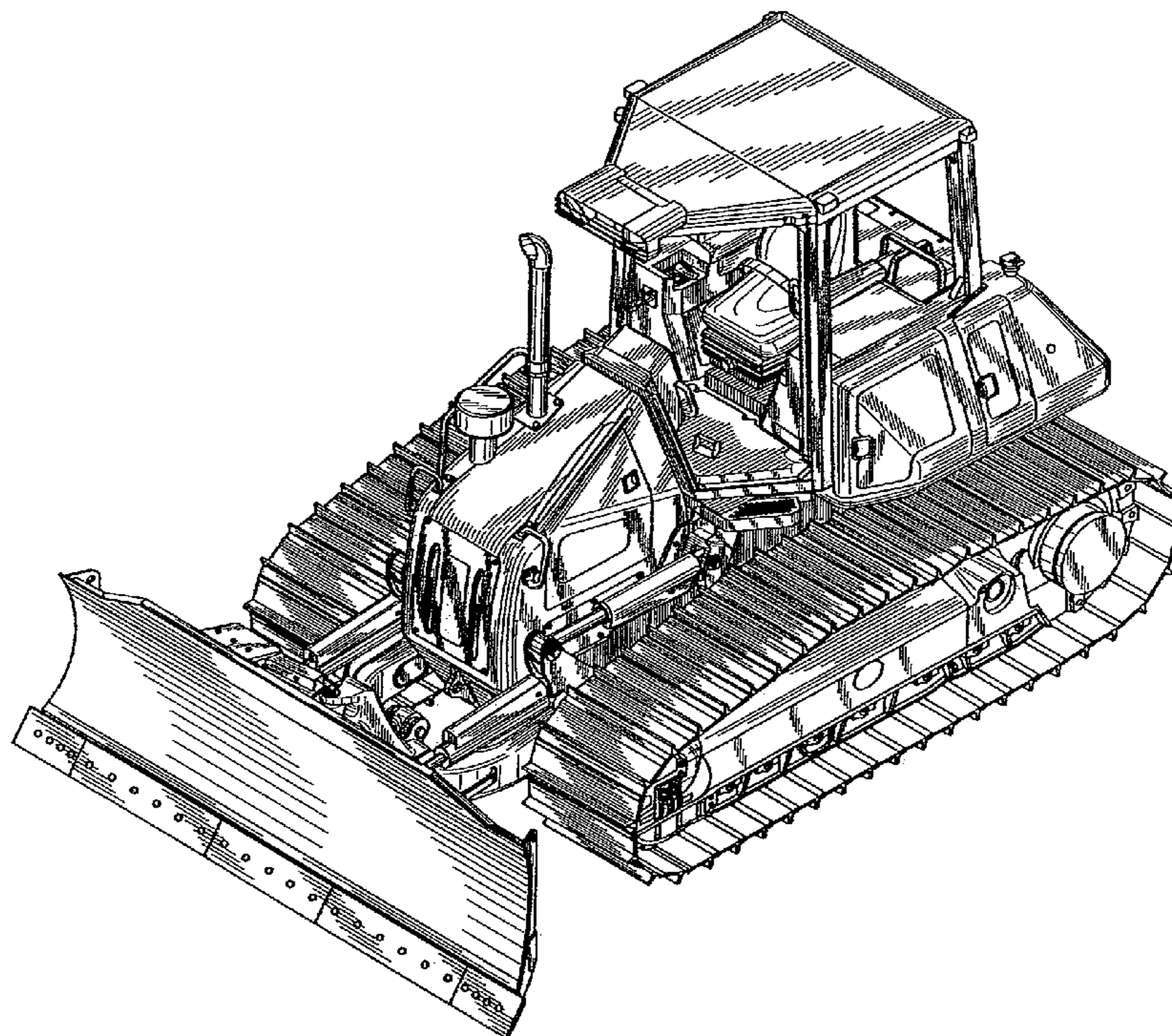


FIG. 1

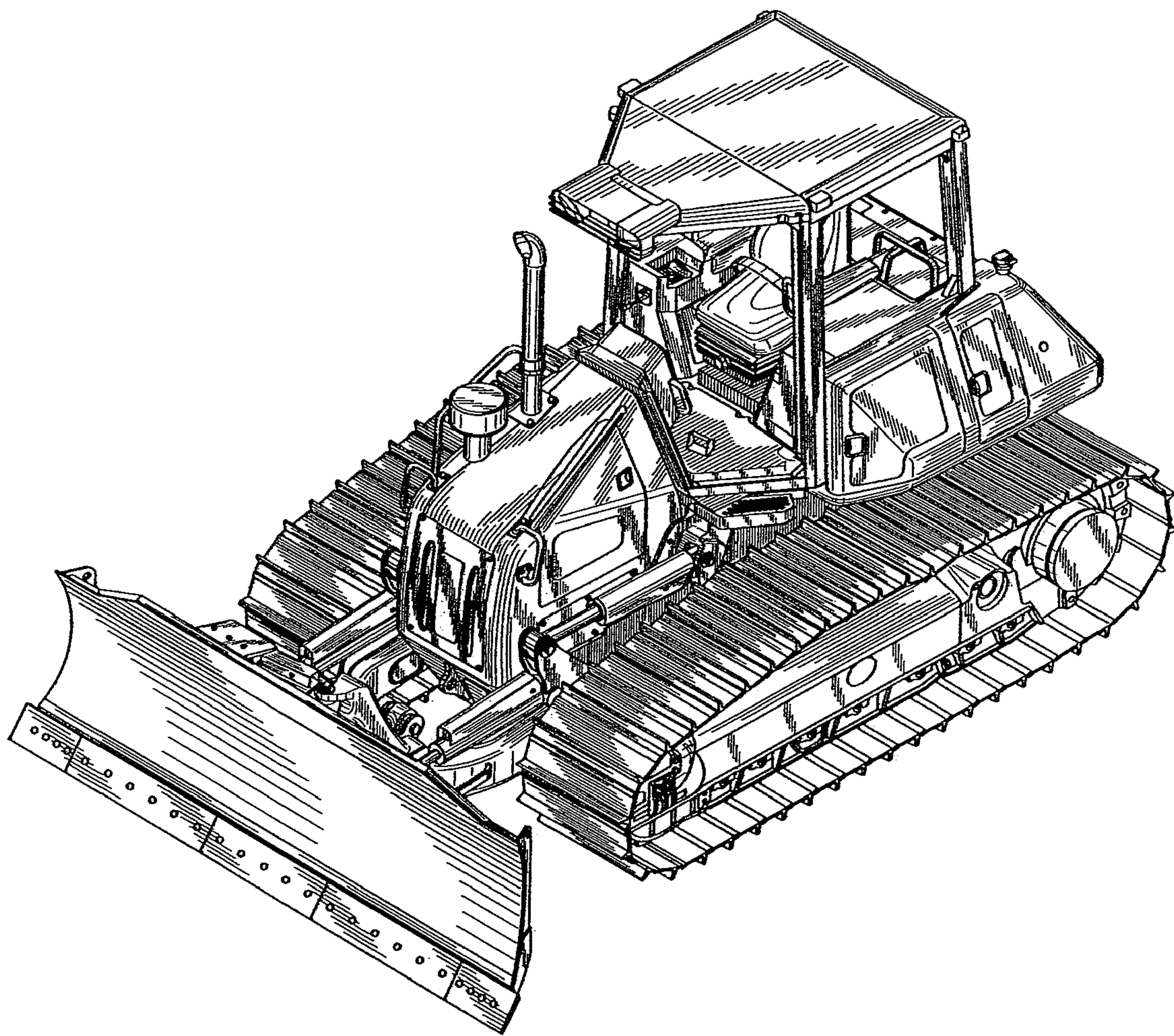


FIG. 2

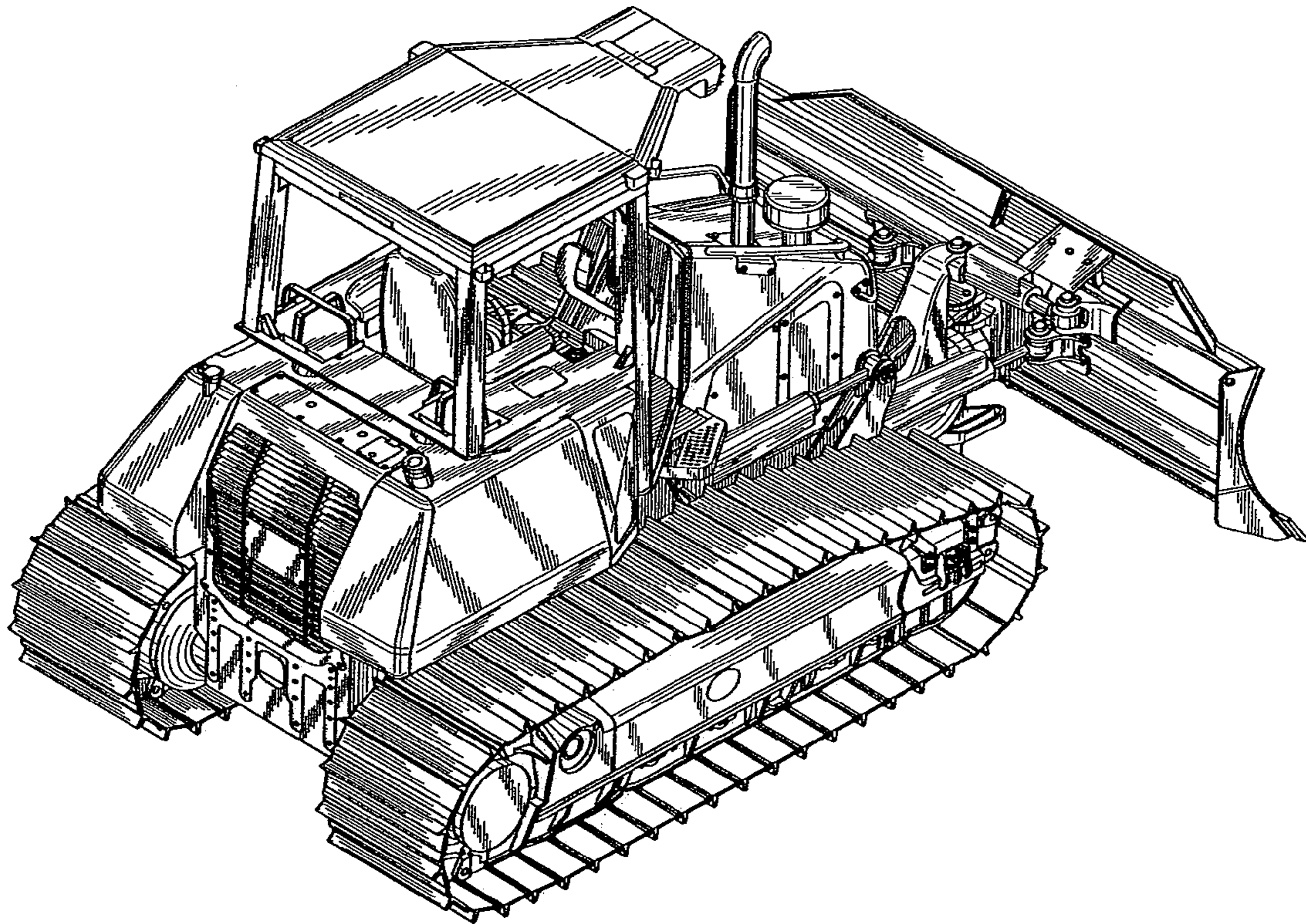


FIG. 3

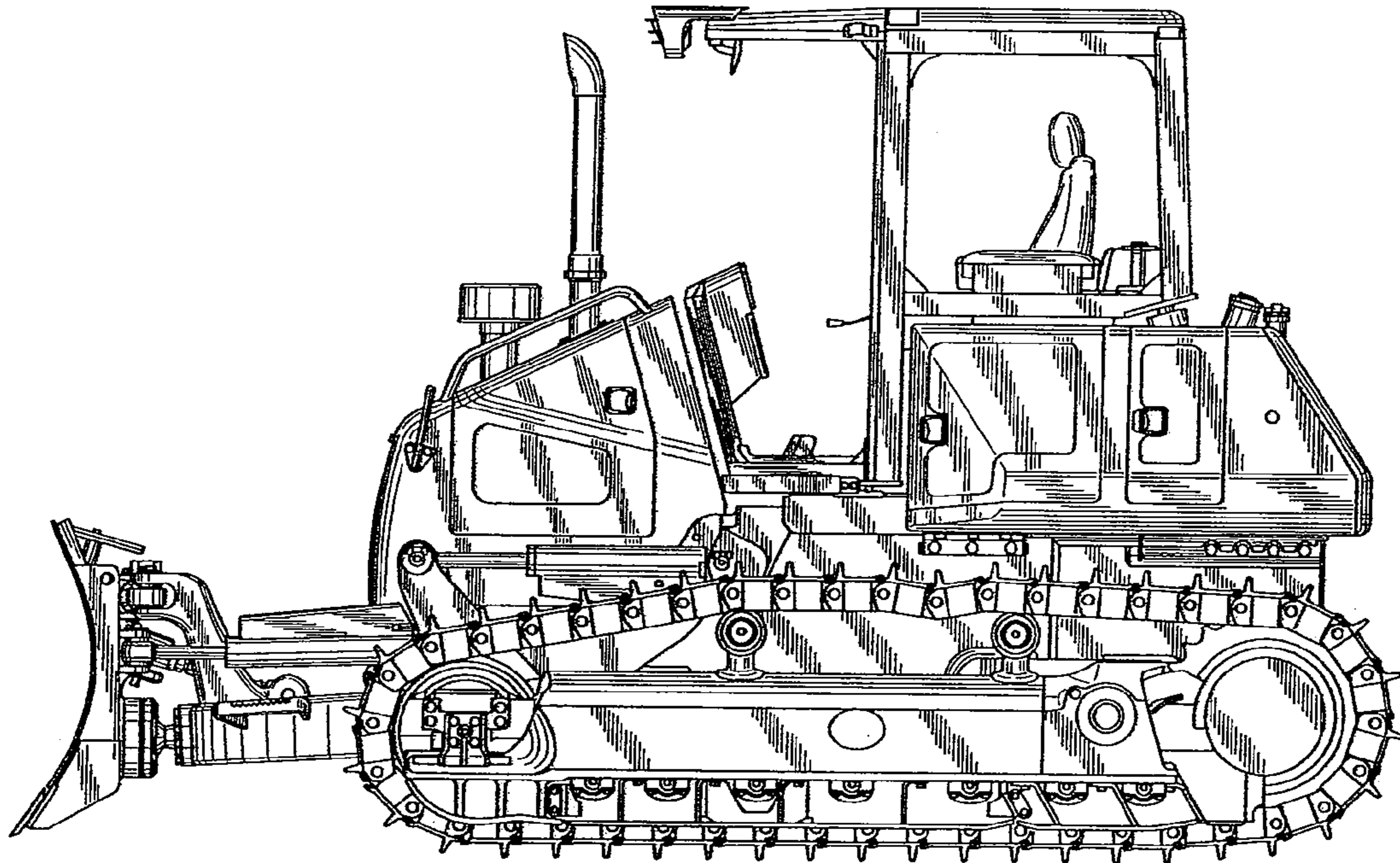


FIG. 4

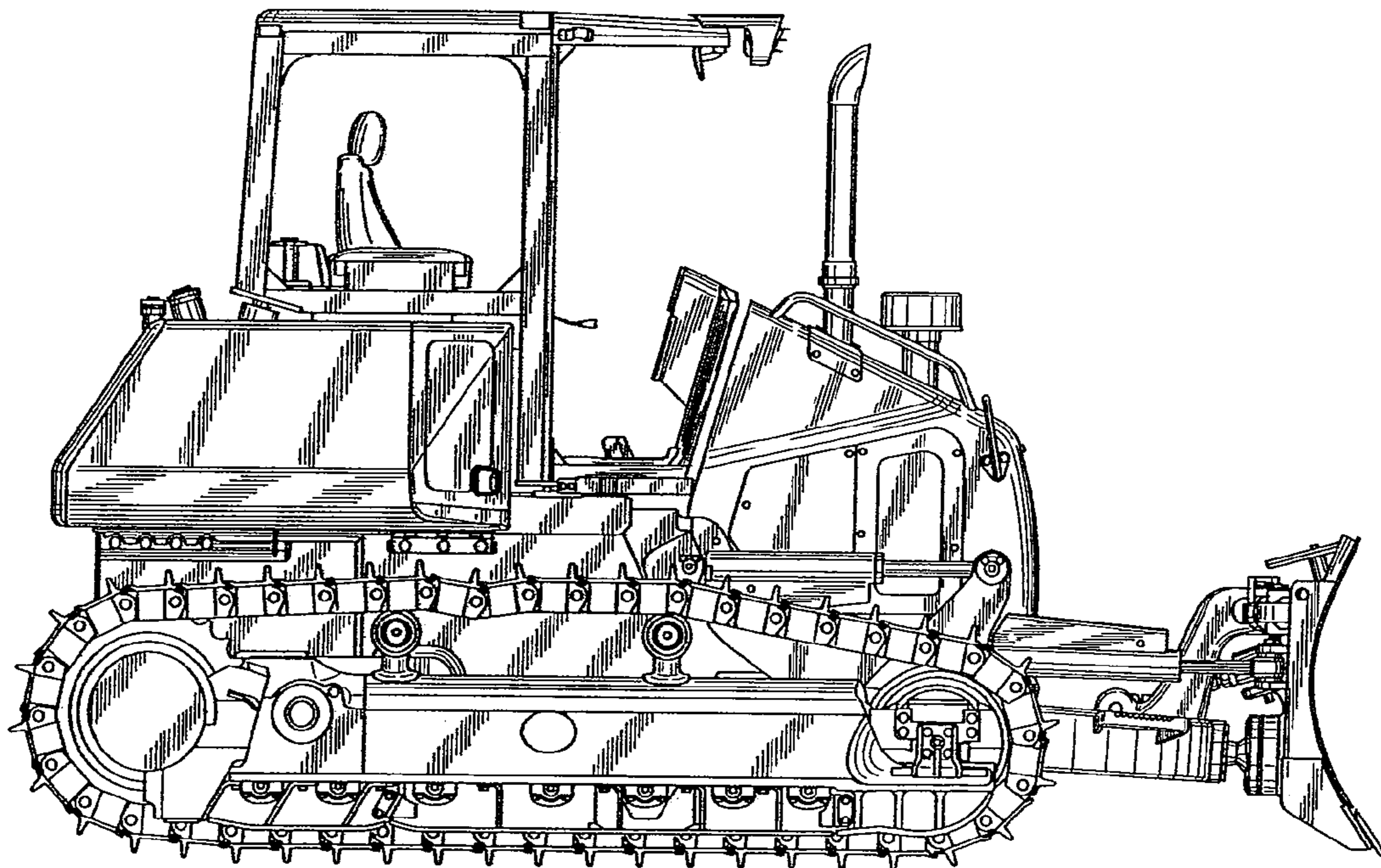


FIG. 5

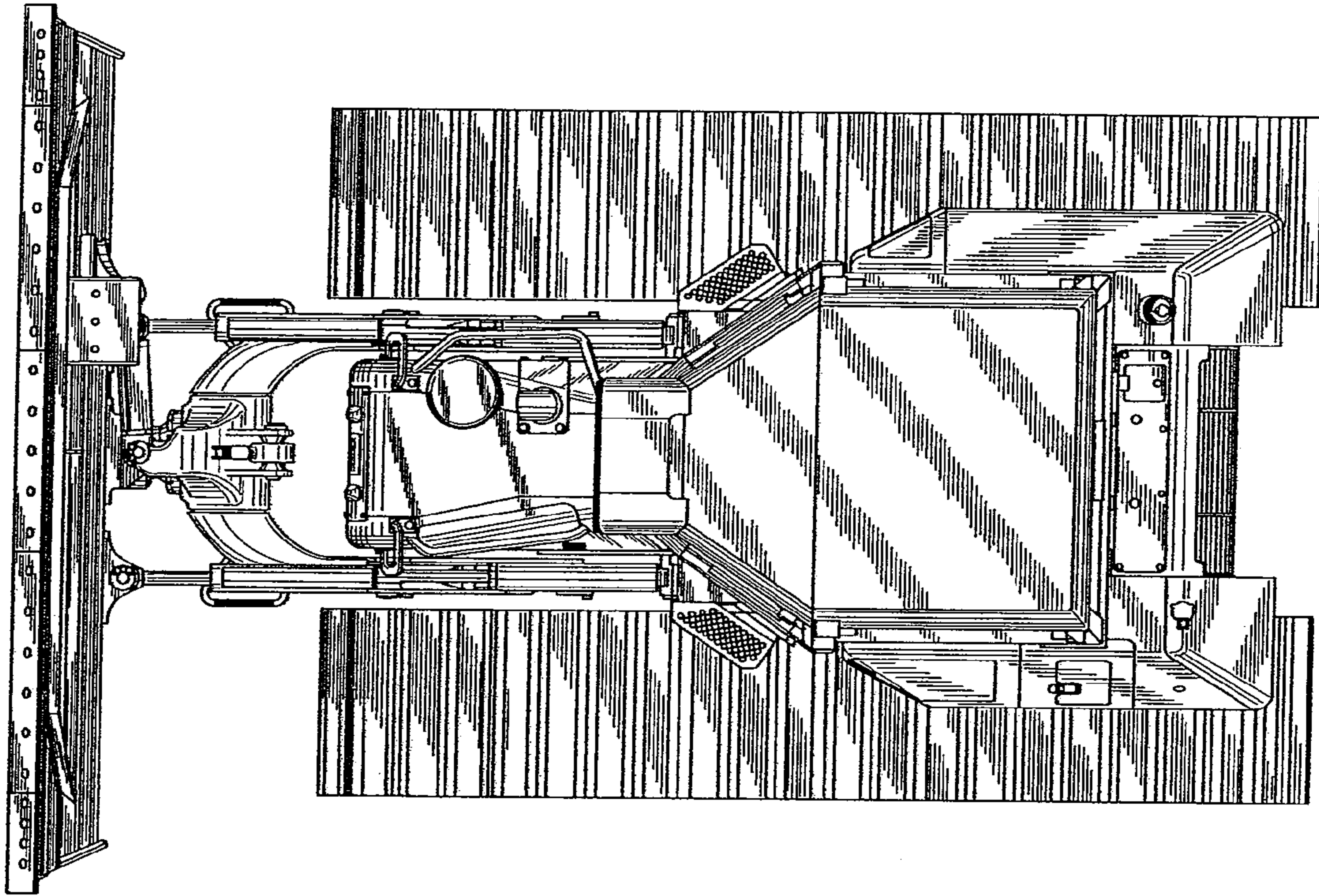


FIG. 6

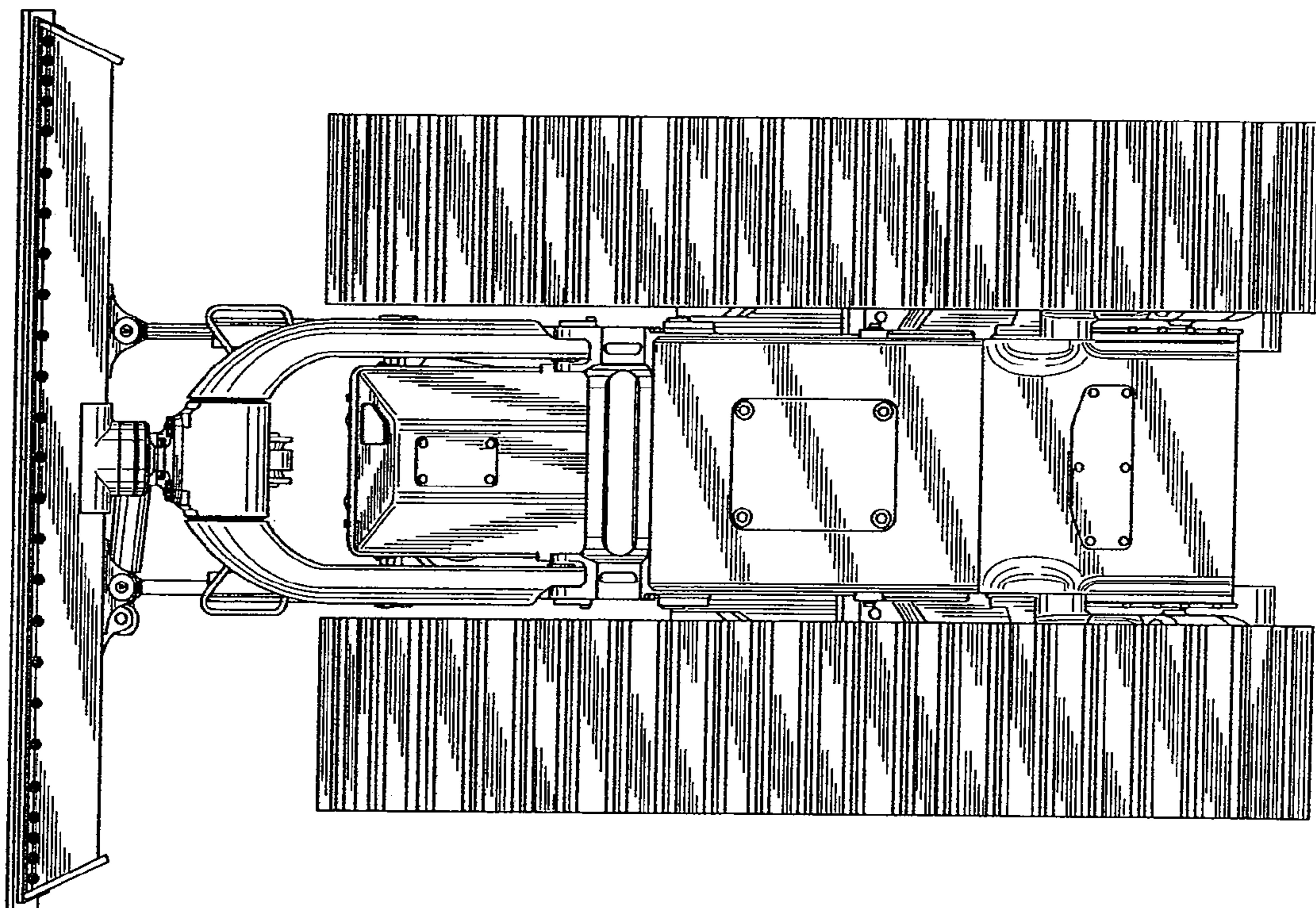


FIG. 7

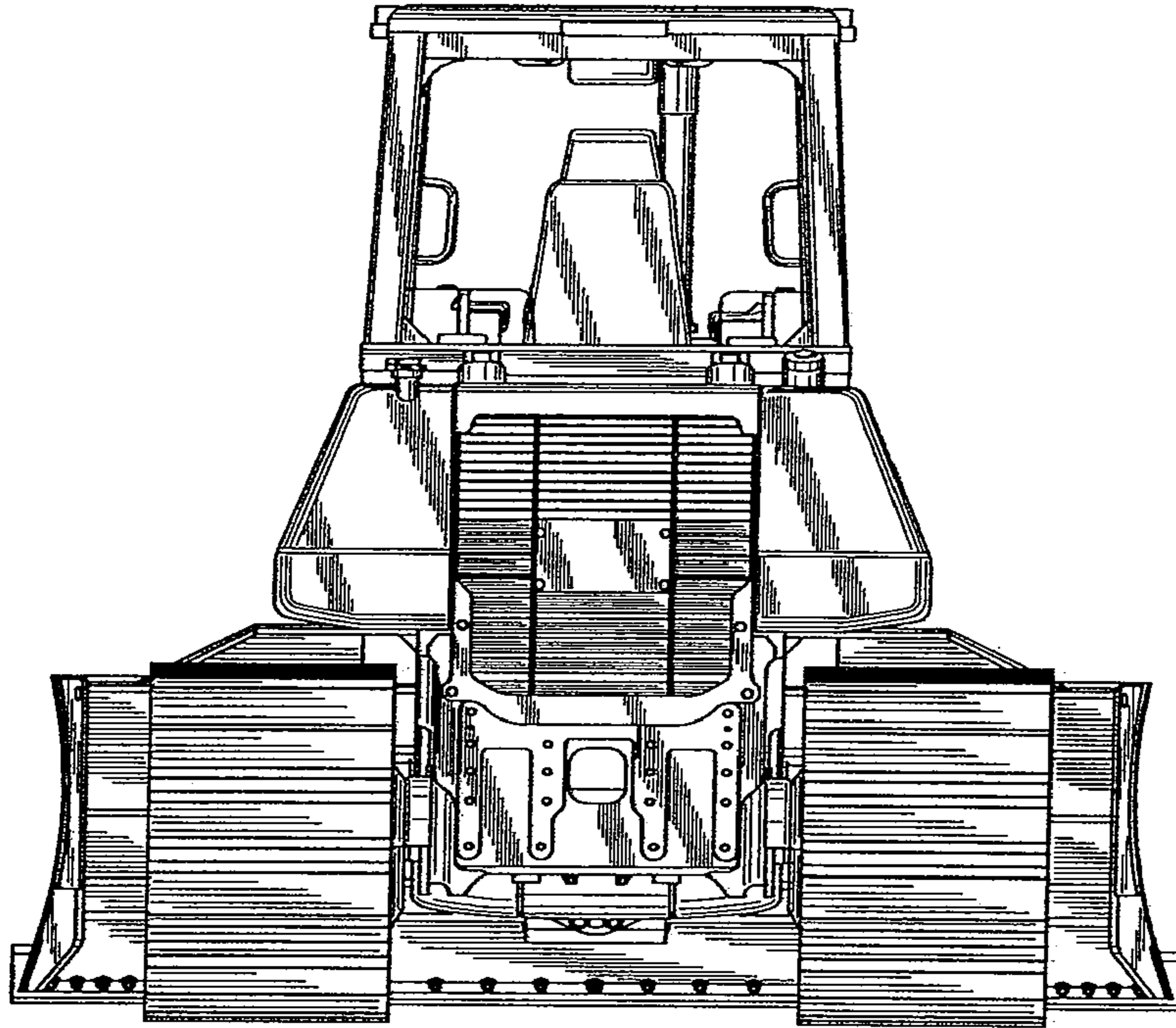


FIG. 8

