



US00D552616S

(12) **United States Design Patent**
Woolley et al.

(10) **Patent No.:** **US D552,616 S**

(45) **Date of Patent:** **** Oct. 9, 2007**

(54) **TABLE-TOP BOX FOR TOUCHSCREEN AND LCD KEYPAD**

(75) Inventors: **Jonathan Jay Woolley**, Draper, UT (US); **Roger T. Johnsen**, Salt Lake City, UT (US); **Mark J. Morgan**, Draper, UT (US); **Steven C. Hart**, Coeur D'Alene, ID (US)

(73) Assignee: **Control4 Corporation**, Draper, UT (US)

(**) Term: **14 Years**

(21) Appl. No.: **29/212,792**

(22) Filed: **Sep. 7, 2004**

(51) **LOC (8) Cl.** **14-02**

(52) **U.S. Cl.** **D14/449**

(58) **Field of Classification Search** D14/126, D14/133, 138, 199, 202, 204, 217, 308, 314, D14/334-6, 340-7, 353-5, 371-2, 376, 381-3, D14/389, 432, 439-441, 444-451, 453, 471; D18/4.4, 4.5, 4.6, 6, 11; 341/12; 345/87, 345/104, 156, 173, 905; 348/180, 184, 325, 348/739, 790, 836; 349/1, 58; 361/600, 361/679, 683; 312/232.2

See application file for complete search history.

(56) **References Cited**

U.S. PATENT DOCUMENTS

D46,261 S * 8/1914 Meilicke D18/11
D276,578 S * 12/1984 Kwiecinski D14/440
4,893,925 A * 1/1990 Sweeney et al. 356/72

D310,357 S * 9/1990 Brefka et al. D14/382
5,053,755 A * 10/1991 Smith et al. 345/7
D363,916 S * 11/1995 Johnson D12/415
D385,543 S * 10/1997 Phirippidis et al. D14/449
D433,701 S * 11/2000 Chiu D18/4.6
D442,393 S * 5/2001 Shei et al. D6/472
D471,380 S * 3/2003 King et al. D6/441
6,594,146 B2 * 7/2003 Frangesch et al. 361/686
7,063,227 B2 * 6/2006 Looker 220/345.1
2004/0257490 A1 * 12/2004 Ho 349/58
2006/0146202 A1 * 7/2006 Ioki et al. 348/739

* cited by examiner

Primary Examiner—Alan P. Douglas

Assistant Examiner—Angela J. Lee

(74) *Attorney, Agent, or Firm*—Thorpe North & Western LLP

(57) **CLAIM**

The ornamental design for table-top box for touchscreen and LCD keypad, as shown and described.

DESCRIPTION

FIG. 1 is an elevated perspective view from the right of the table-top box for touchscreen and LCD keypad in accordance with our invention.

FIG. 2 is a front view thereof;

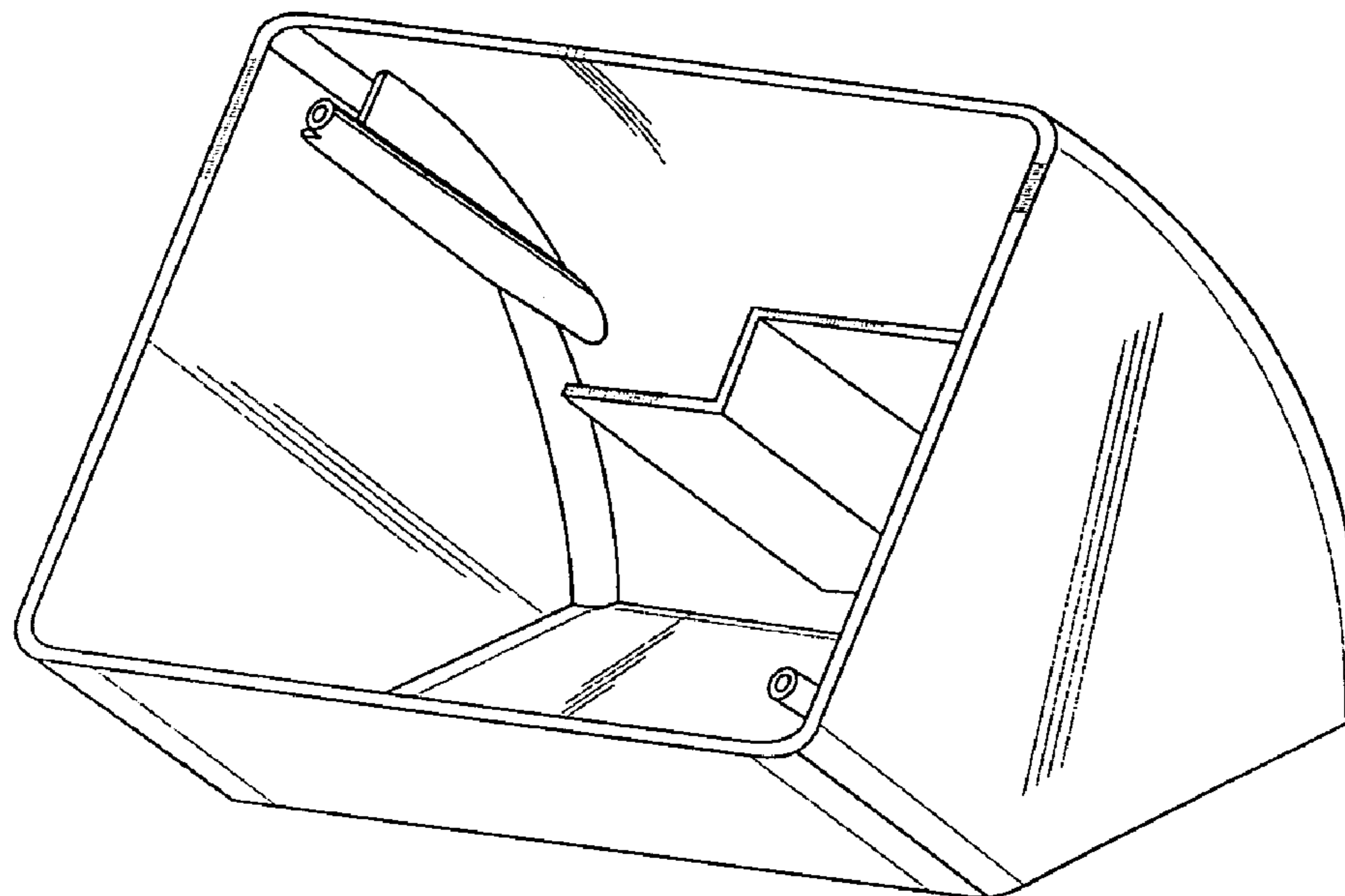
FIG. 3 is a perspective back view thereof;

FIG. 4 is a back view thereof;

FIG. 5 is a side view thereof; and,

FIG. 6 is a top view of our invention as shown in FIG. 1.

1 Claim, 6 Drawing Sheets



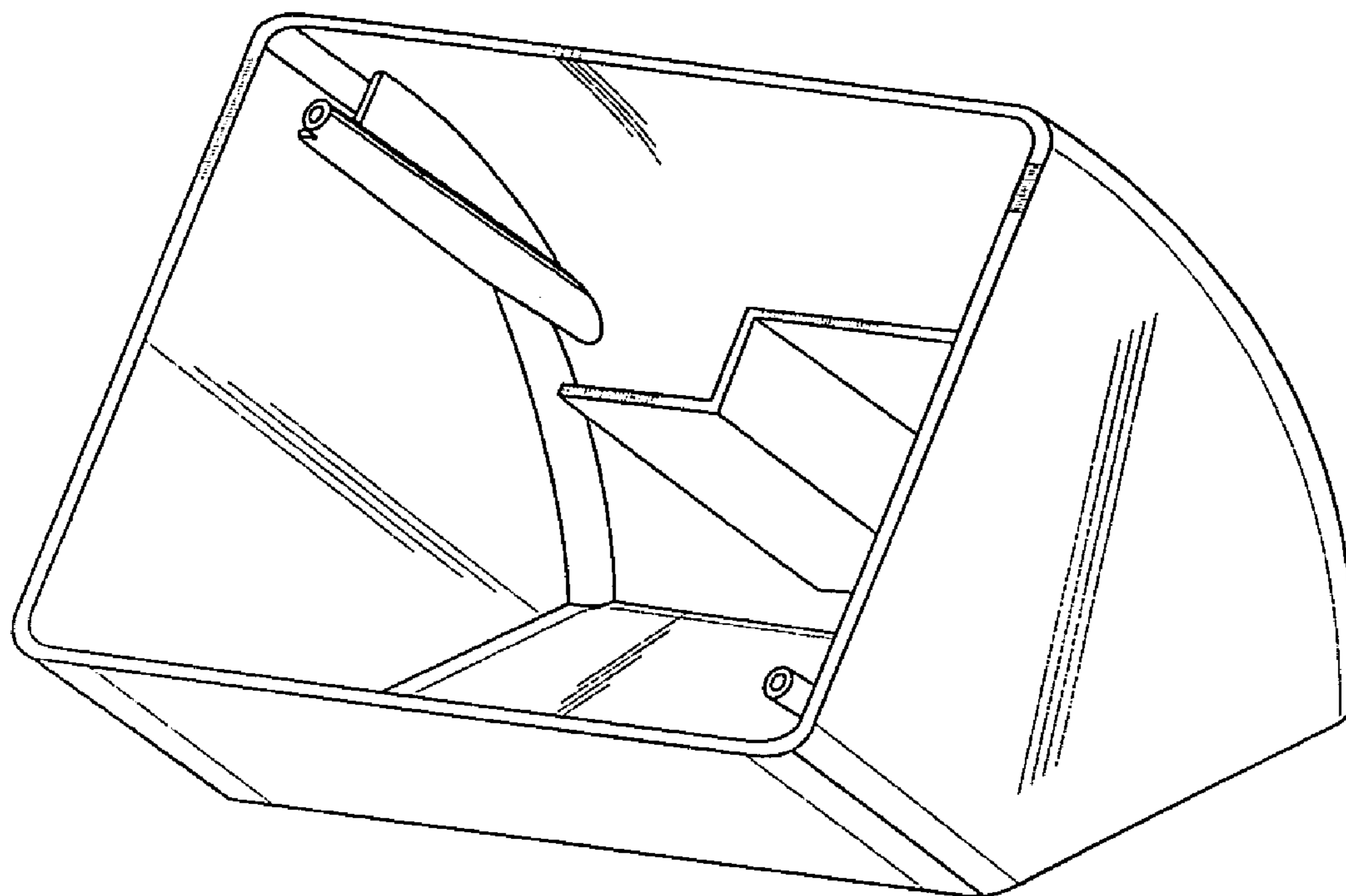


Fig. 1

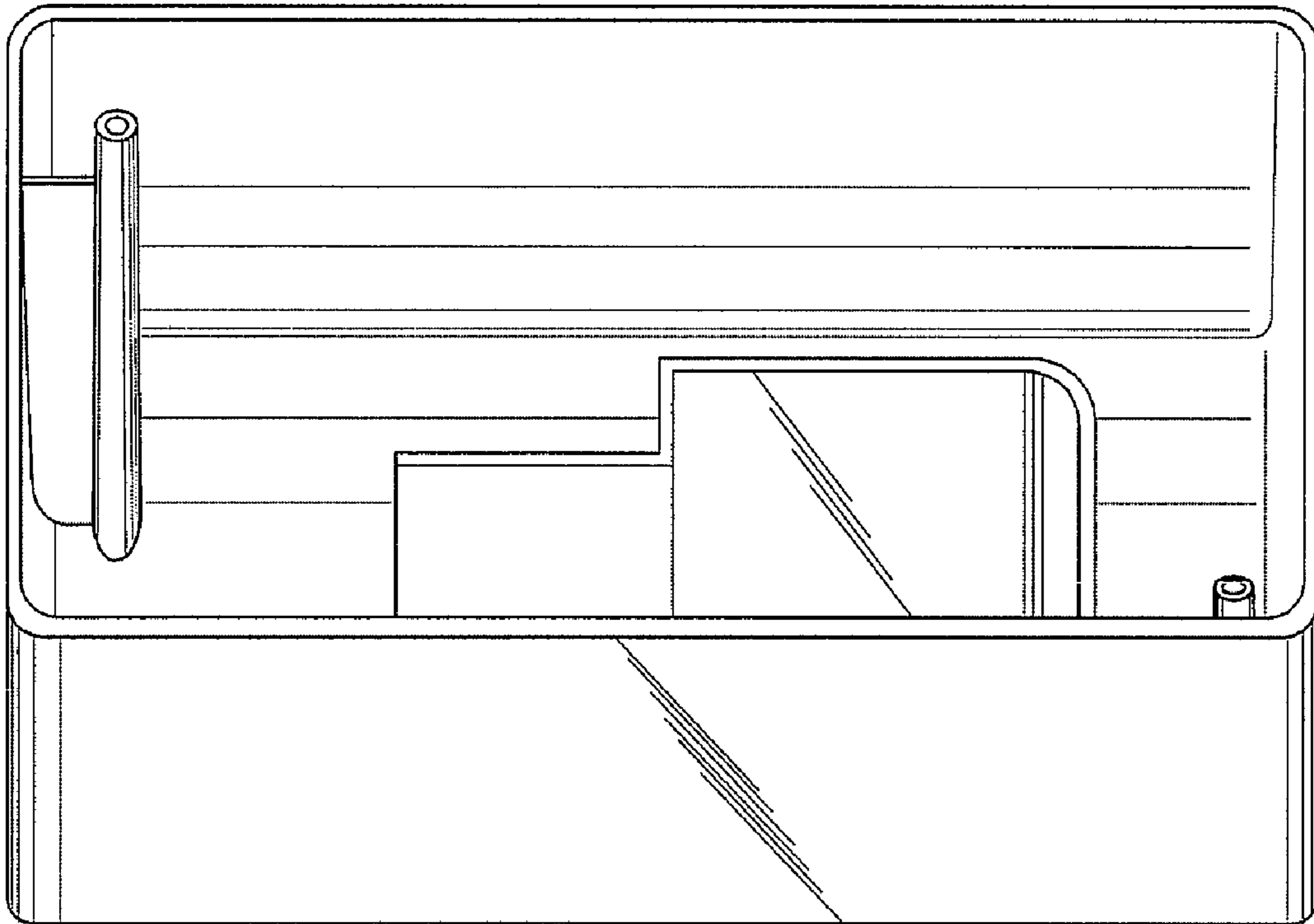


Fig. 2

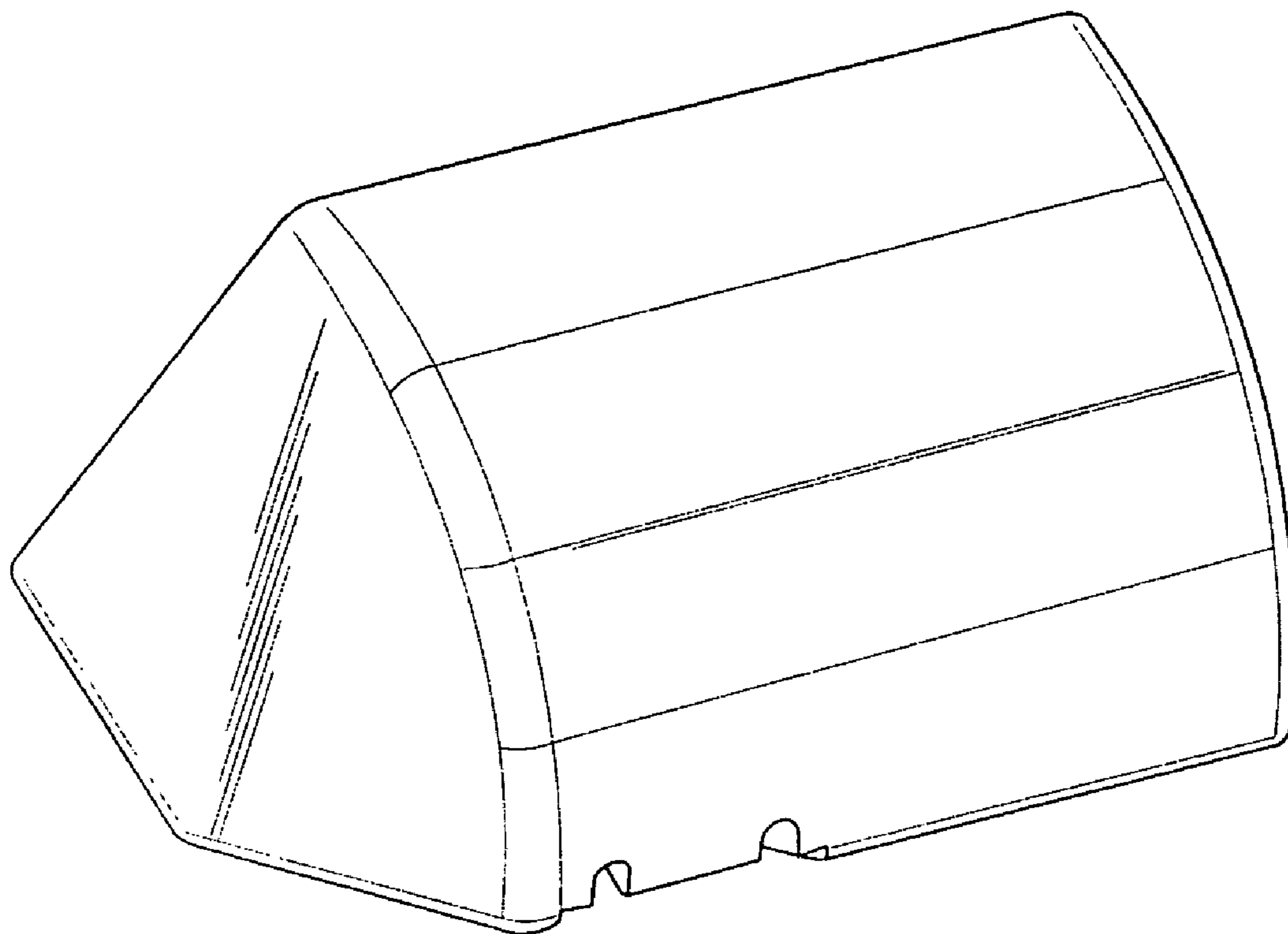


Fig. 3

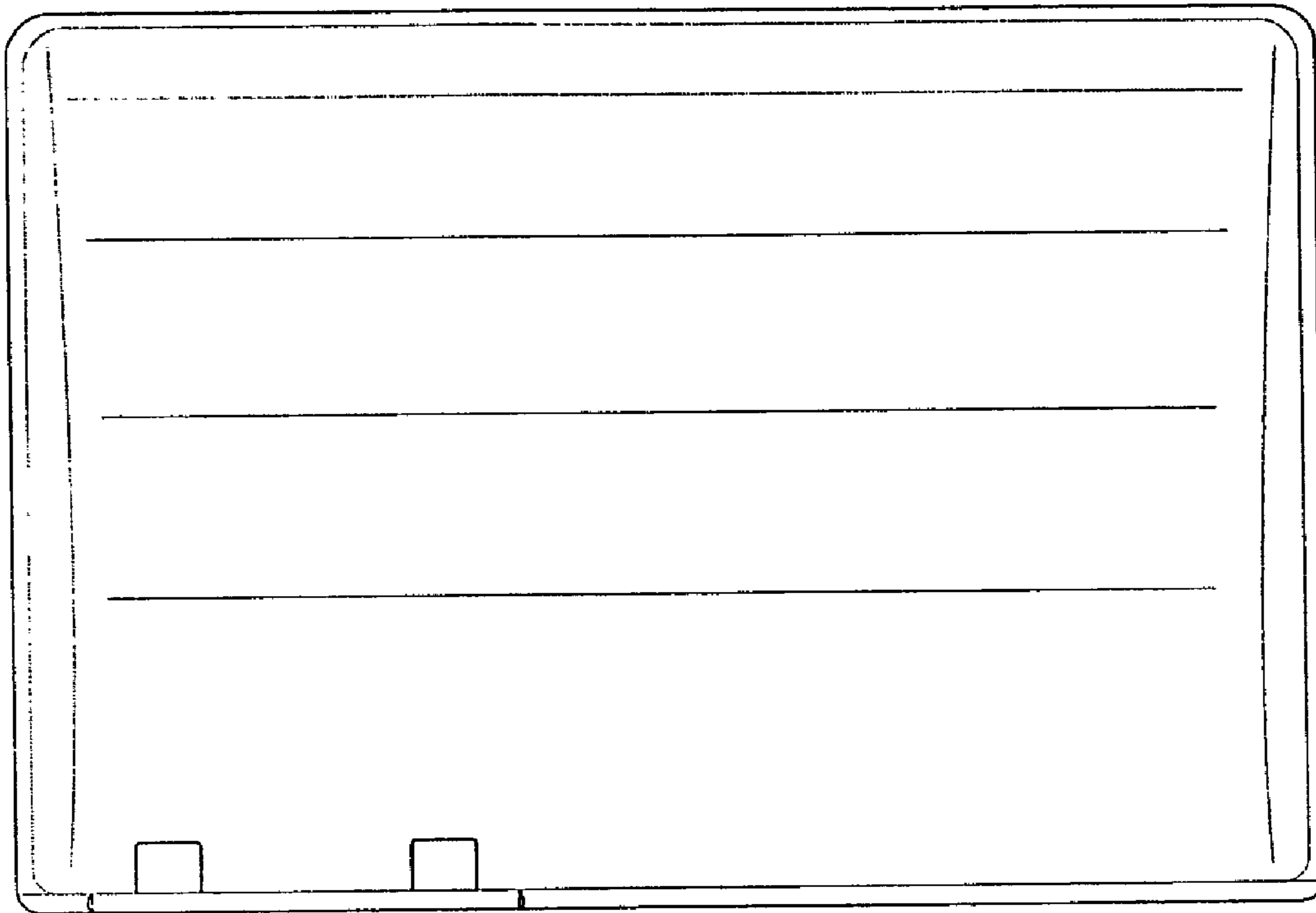


Fig. 4

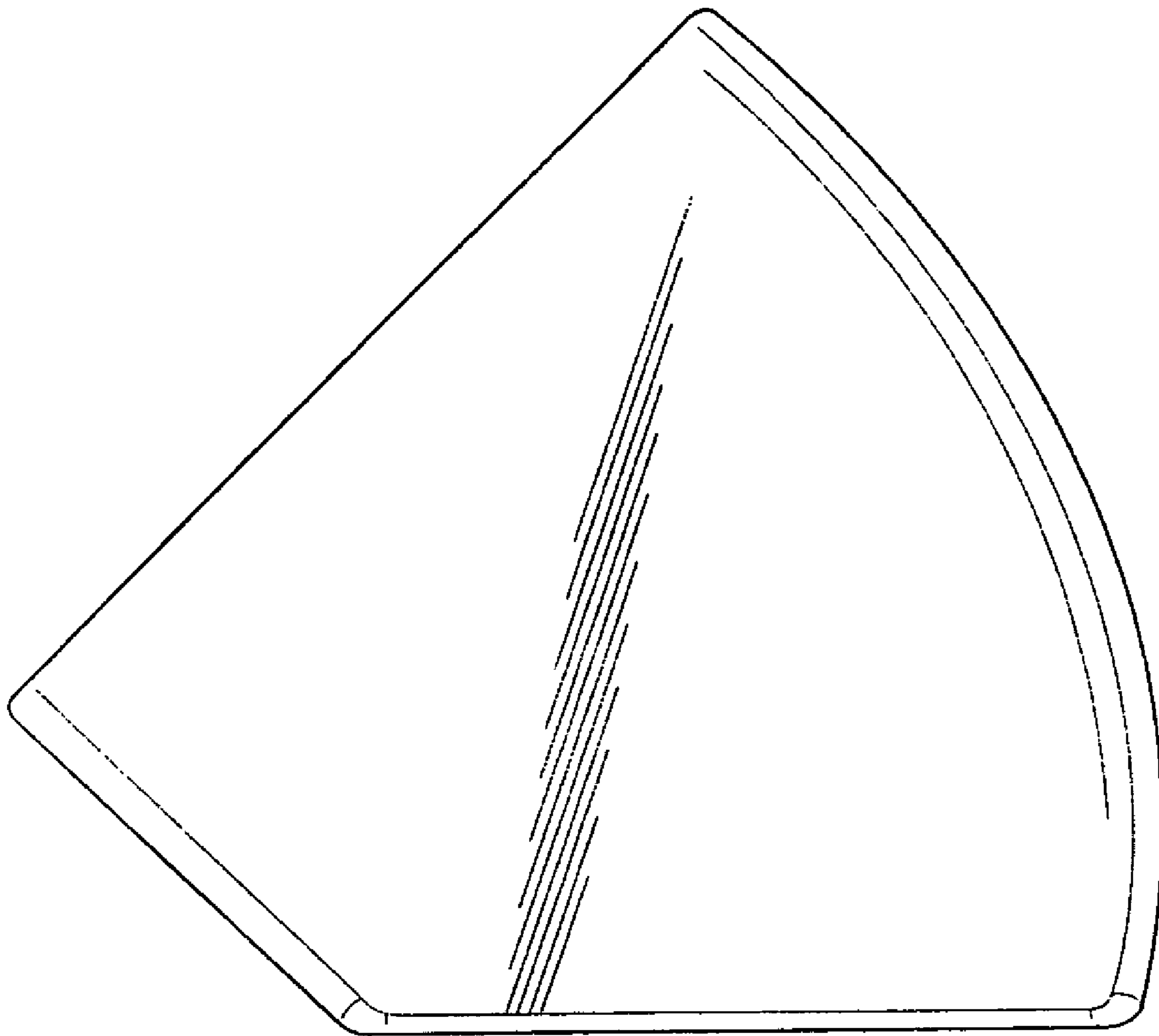


Fig. 5

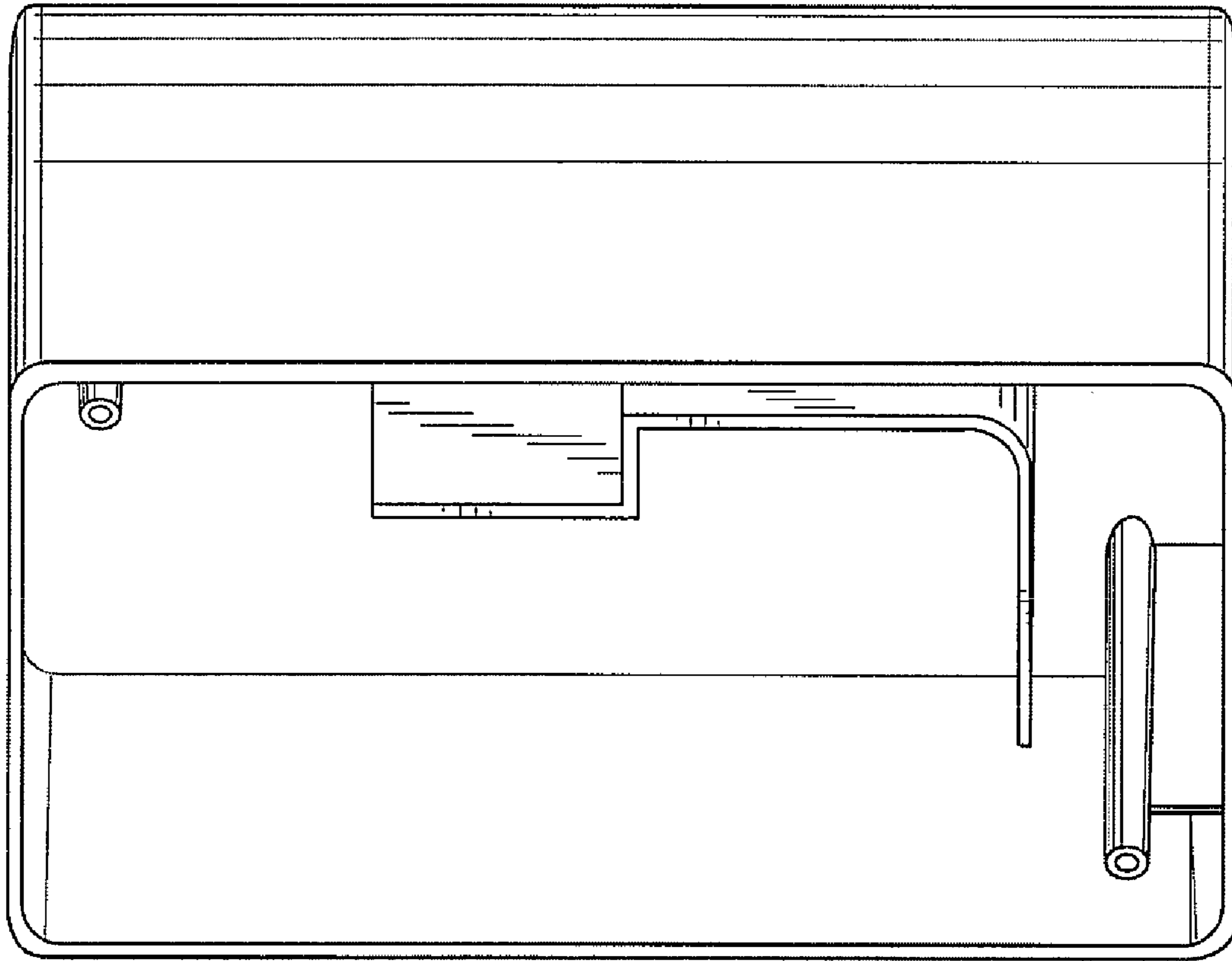


Fig. 6