



US00D552615S

(12) **United States Design Patent** (10) **Patent No.:** **US D552,615 S**  
**Kuroiwa et al.** (45) **Date of Patent:** **\*\* Oct. 9, 2007**

(54) **CRADLE FOR A PERSONAL DIGITAL ASSISTANT**

(75) Inventors: **Kenichi Kuroiwa**, Kawasaki (JP);  
**Kenichi Takita**, Kawasaki (JP);  
**Kazuhiro Tomizawa**, Tokyo (JP);  
**Manabu Tominaga**, Tokyo (JP)

(73) Assignee: **NEC Infrontia Corporation**,  
Kawasaki-shi (JP)

(\*\*) Term: **14 Years**

(21) Appl. No.: **29/242,513**

(22) Filed: **Nov. 10, 2005**

(30) **Foreign Application Priority Data**

May 18, 2005 (JP) ..... 2005-014279

(51) **LOC (8) Cl.** ..... **14-02**

(52) **U.S. Cl.** ..... **D14/447**

(58) **Field of Classification Search** ..... D14/434,  
D14/447, 432, 433, 385, 357, 149, 457, 253,  
D14/251, 356; D13/199, 107, 118, 184,  
D13/108, 109, 110; 361/600, 679, 683, 686;  
200/6 R; 206/701; 320/113-115, 107; 379/426;  
455/557, 556.1, 556.2; 345/156, 901, 905;  
439/374, 131, 529, 534, 929, 346, 31, 640;  
235/472.01; 248/309.1, 221.11; 429/100;  
D16/219, 237, 242

See application file for complete search history.

(56) **References Cited**

**U.S. PATENT DOCUMENTS**

- D276,149 S \* 10/1984 Eckmann et al. .... D13/107
- D300,214 S \* 3/1989 Adams ..... D13/108
- D324,369 S \* 3/1992 Bushman et al. .... D13/107
- D337,986 S \* 8/1993 Brunner et al. .... D13/108
- D349,486 S \* 8/1994 Sage ..... D13/107
- D350,726 S \* 9/1994 Cooper ..... D13/107
- D362,227 S \* 9/1995 Richards et al. .... D13/108
- D372,219 S \* 7/1996 Schechtel et al. .... D13/108

- D376,585 S \* 12/1996 Wathen et al. .... D14/434
- D399,821 S \* 10/1998 Tyneski et al. .... D13/118
- D400,164 S \* 10/1998 Lindahl ..... D13/108
- D400,498 S \* 11/1998 Page et al. .... D13/107
- D400,499 S \* 11/1998 Bunyea ..... D13/107
- D402,258 S \* 12/1998 Kawakami ..... D13/107
- 6,018,230 A \* 1/2000 Casey ..... 320/114
- D429,211 S \* 8/2000 Ohi et al. .... D13/107
- D440,202 S \* 4/2001 Heun ..... D13/107
- D456,002 S \* 4/2002 Kato et al. .... D13/103
- D460,412 S \* 7/2002 Nawrozki ..... D13/107
- D466,511 S \* 12/2002 Croley et al. .... D14/434
- 6,608,749 B2 \* 8/2003 Hubbard ..... 361/683
- D483,012 S \* 12/2003 Hsu ..... D13/103

\* cited by examiner

*Primary Examiner*—M. H. Tung

*Assistant Examiner*—Susan Moon Lee

(74) *Attorney, Agent, or Firm*—Frishauf, Holtz, Goodman & Chick, P.C.

(57) **CLAIM**

We claim the ornamental design for a cradle for a personal digital assistant, as shown and described.

**DESCRIPTION**

FIG. 1 is a front, top, left side perspective view of a cradle for a personal digital assistant showing our new design;

FIG. 2 is a front elevational view thereof;

FIG. 3 is a rear elevational view thereof;

FIG. 4 is a left side view thereof;

FIG. 5 is a right side view thereof;

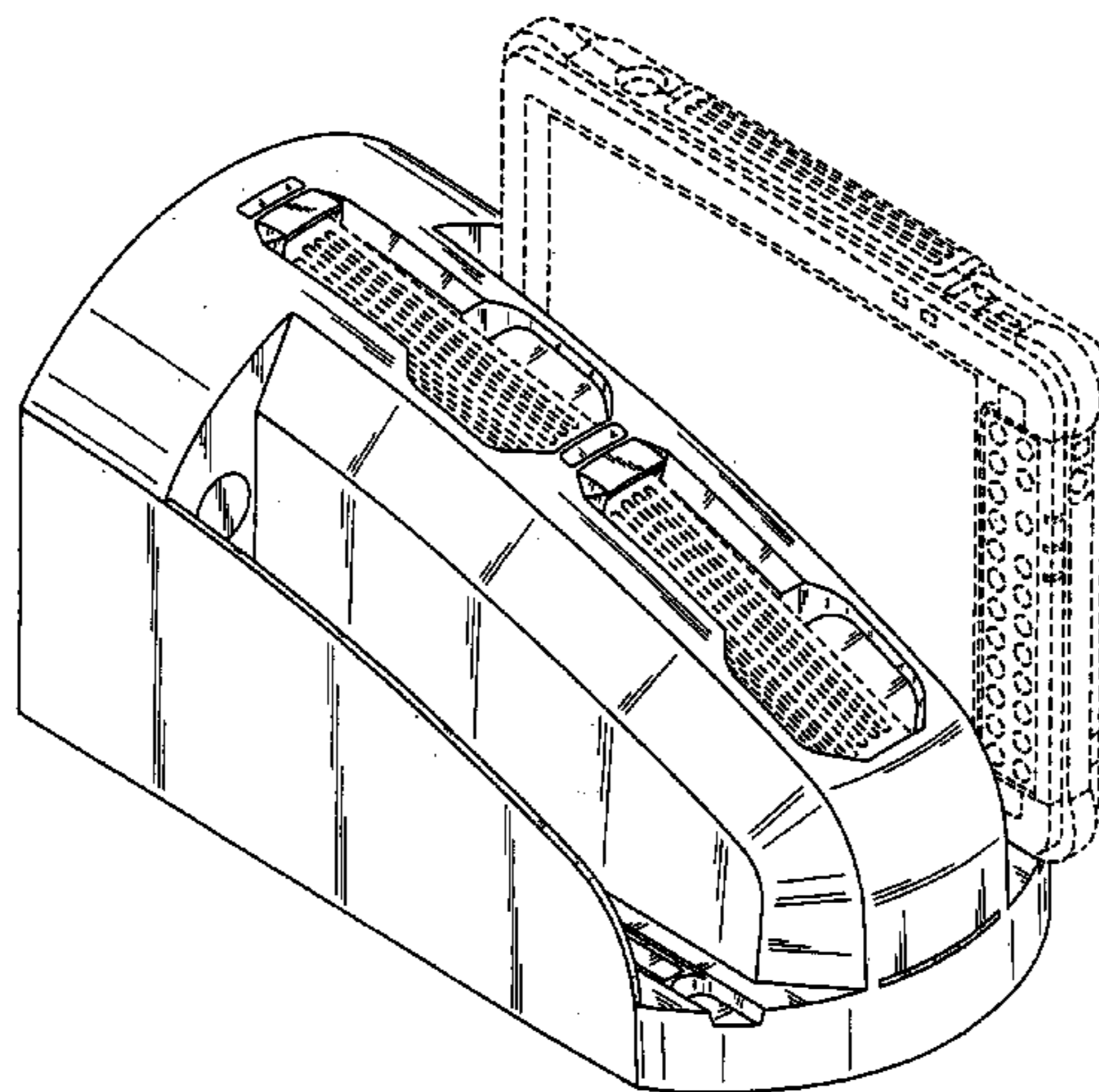
FIG. 6 is a top plan view thereof;

FIG. 7 is a bottom plan view thereof; and,

FIG. 8 is a second perspective view of the cradle for a personal digital assistant shown in use.

The portions shown in broken line are for illustrative purposes only and form no part of the claimed design.

**1 Claim, 8 Drawing Sheets**



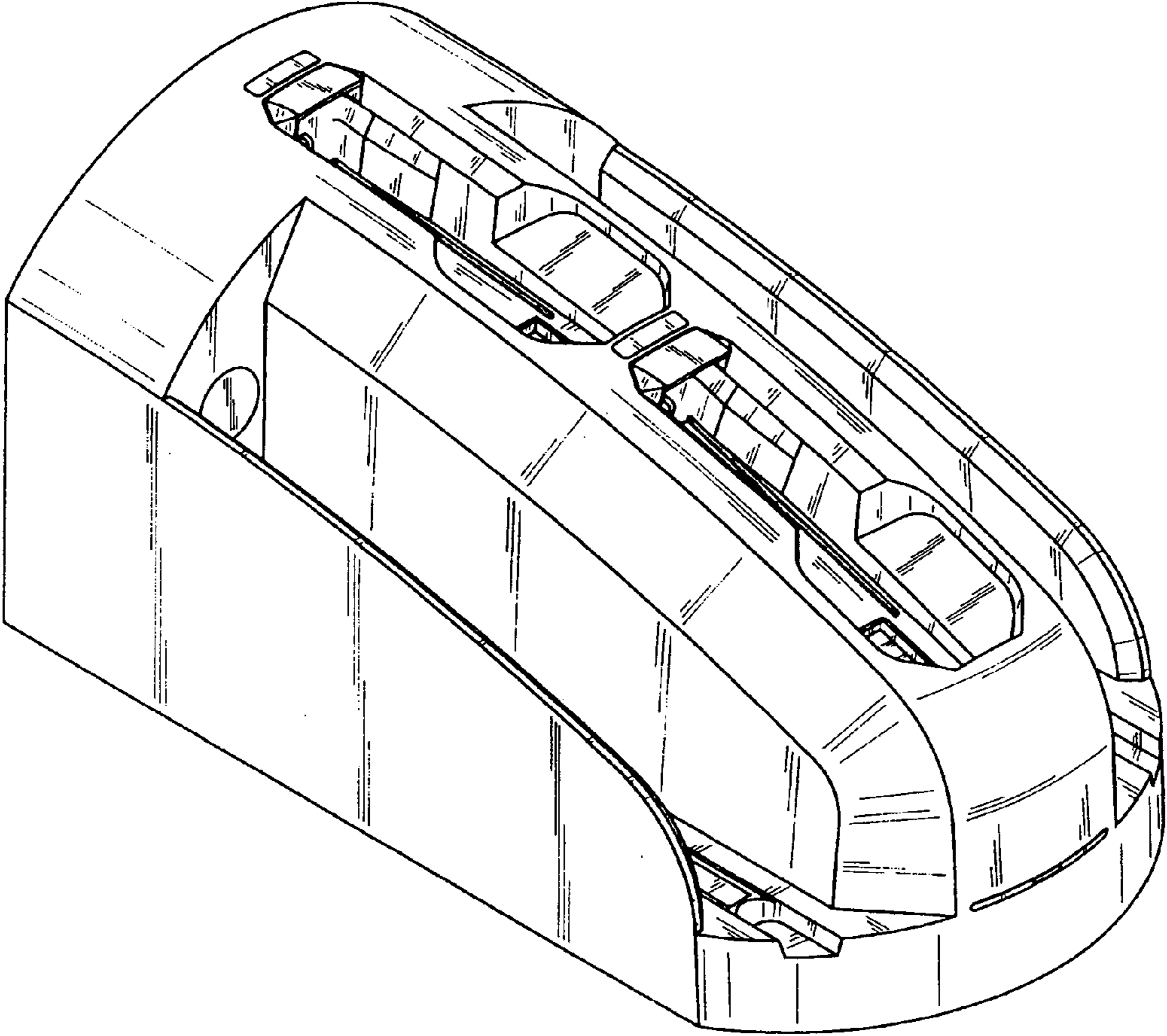


FIG. 1

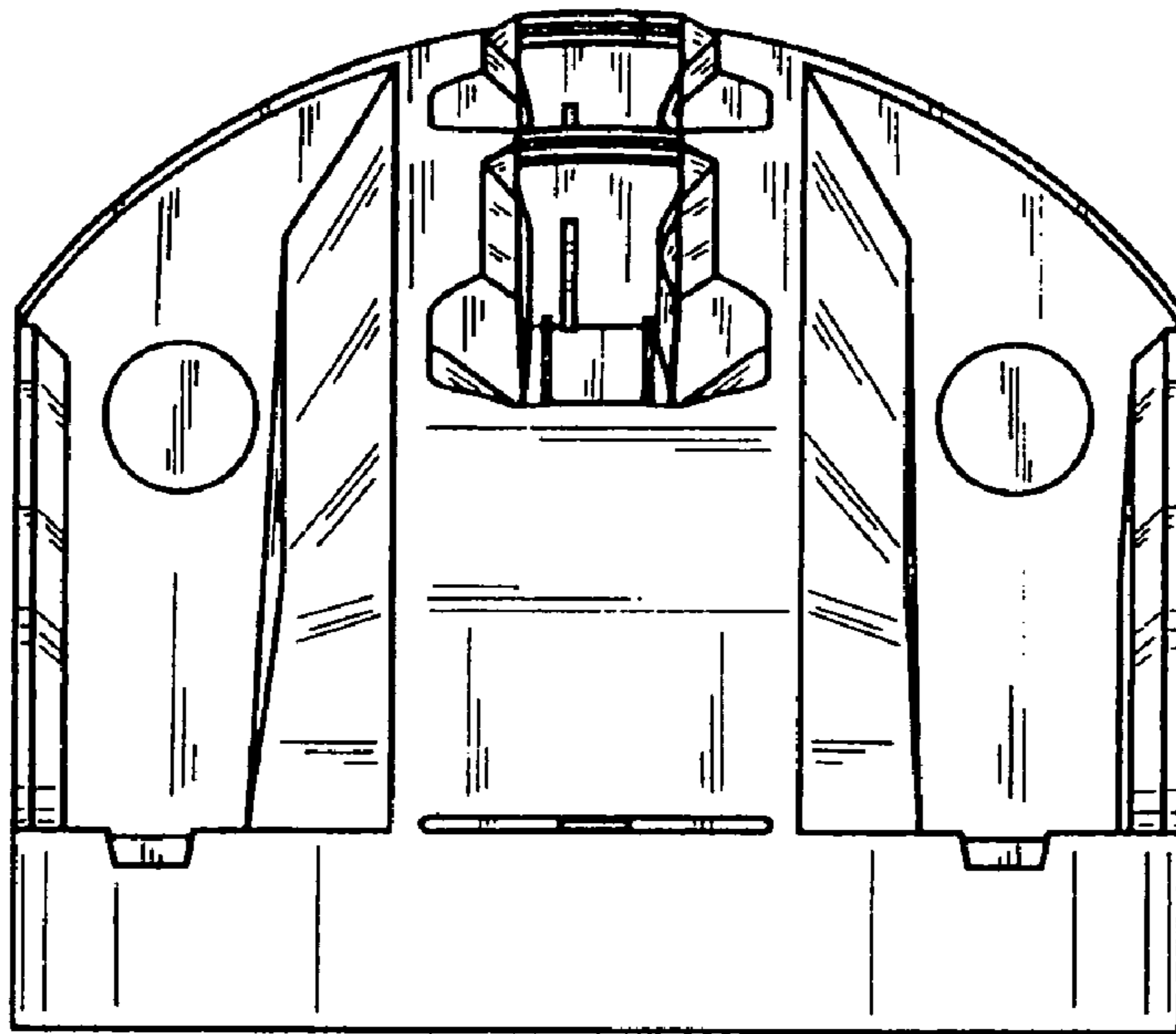


FIG. 2

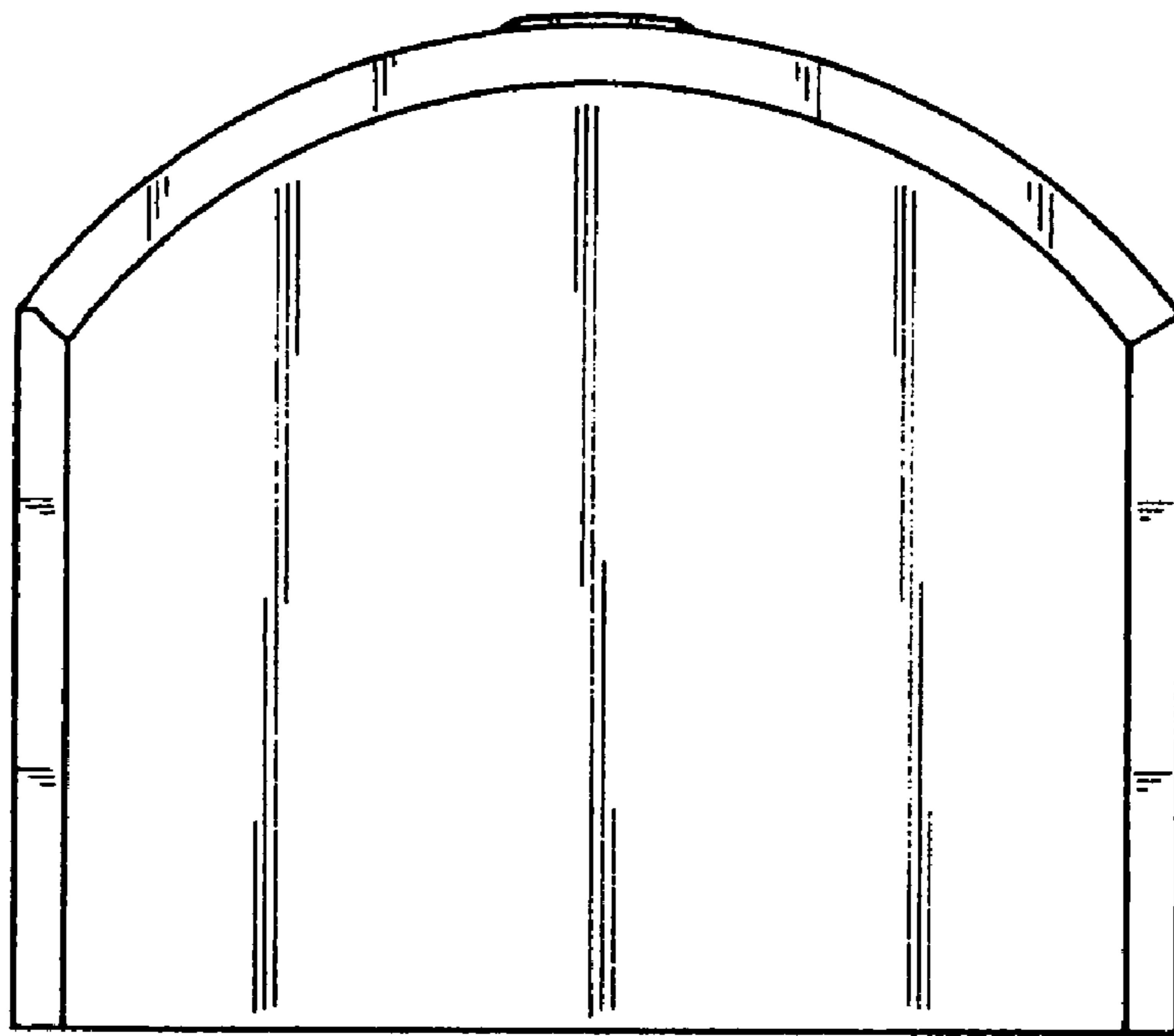


FIG. 3

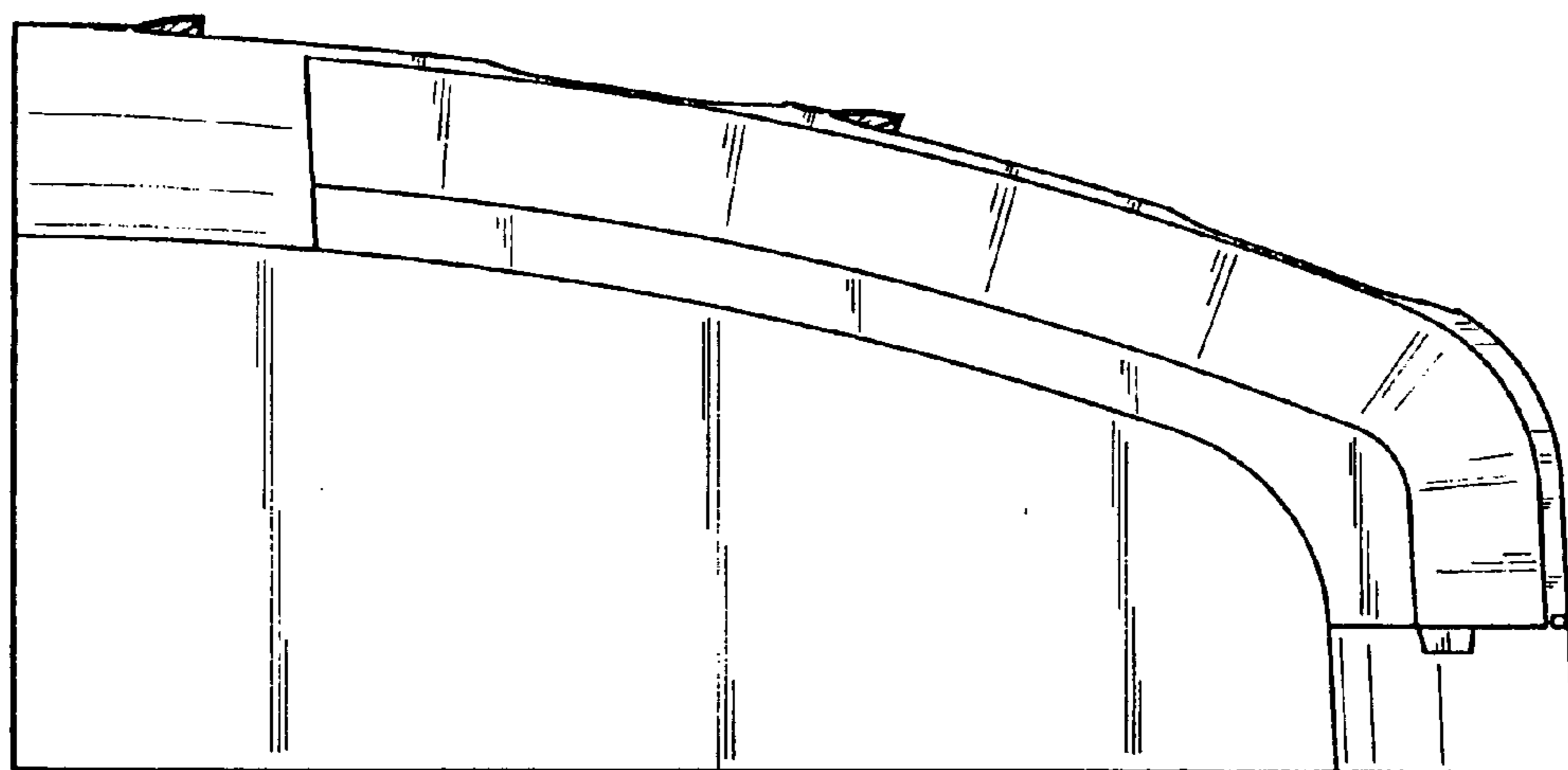


FIG. 4

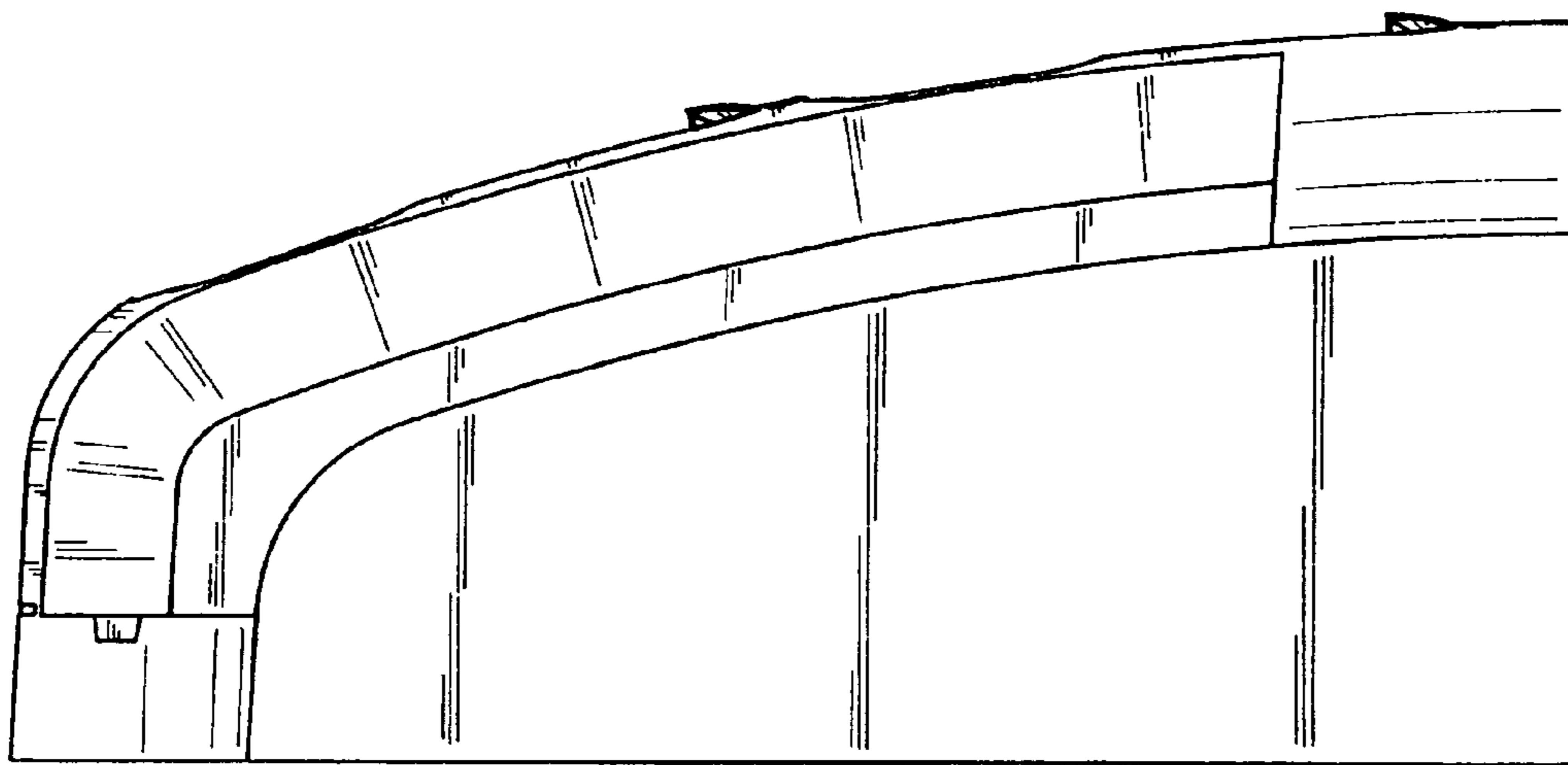


FIG. 5

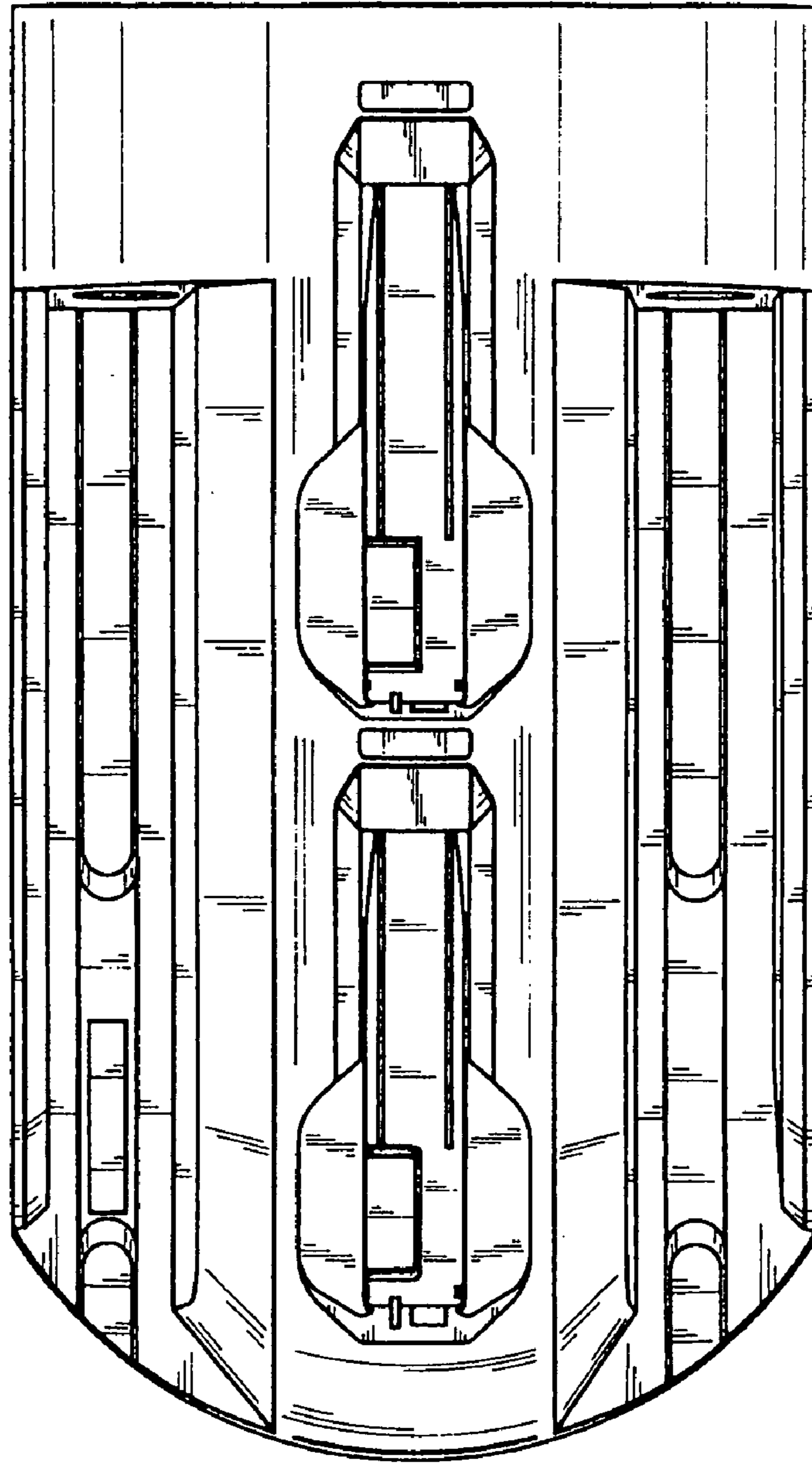


FIG. 6

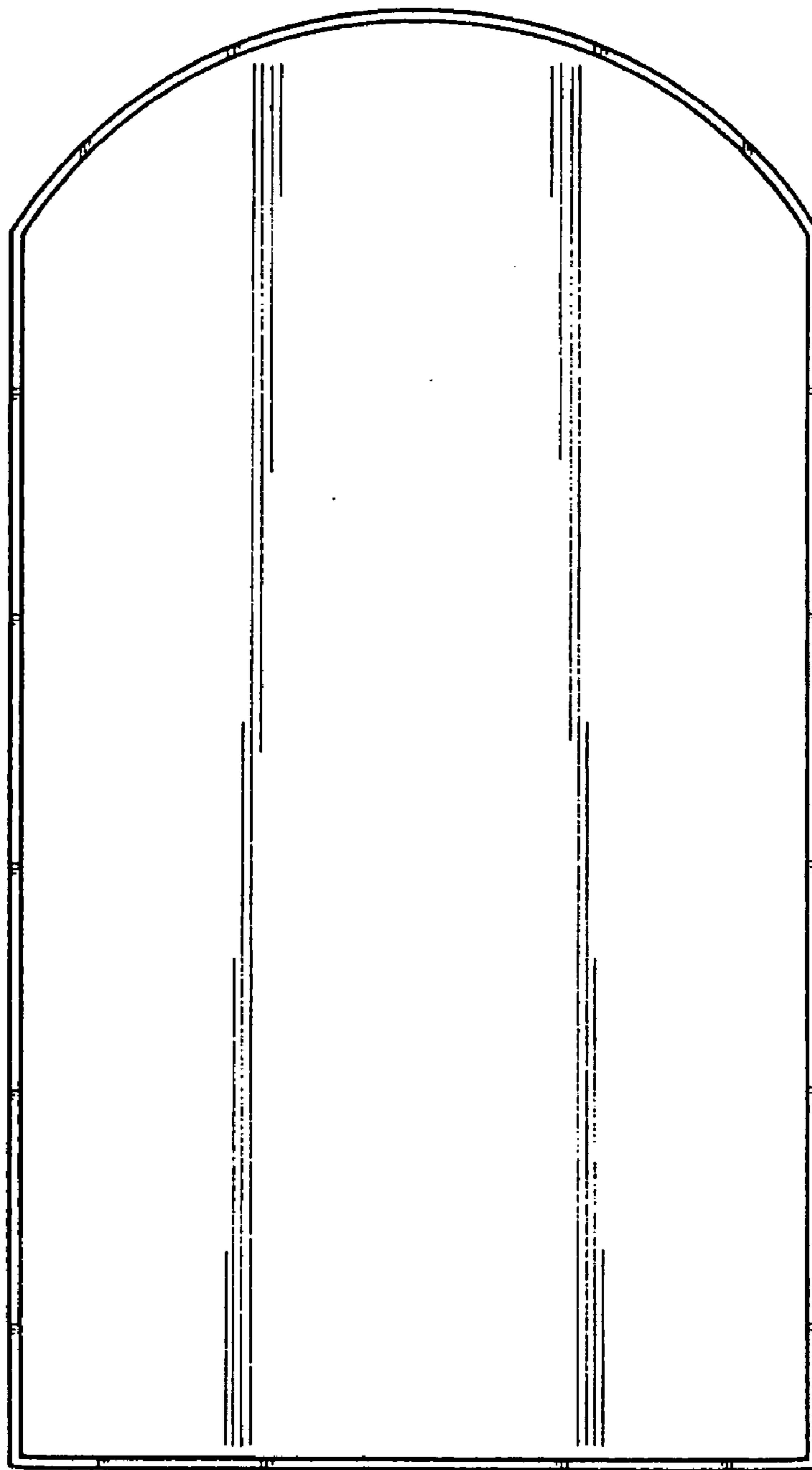


FIG. 7



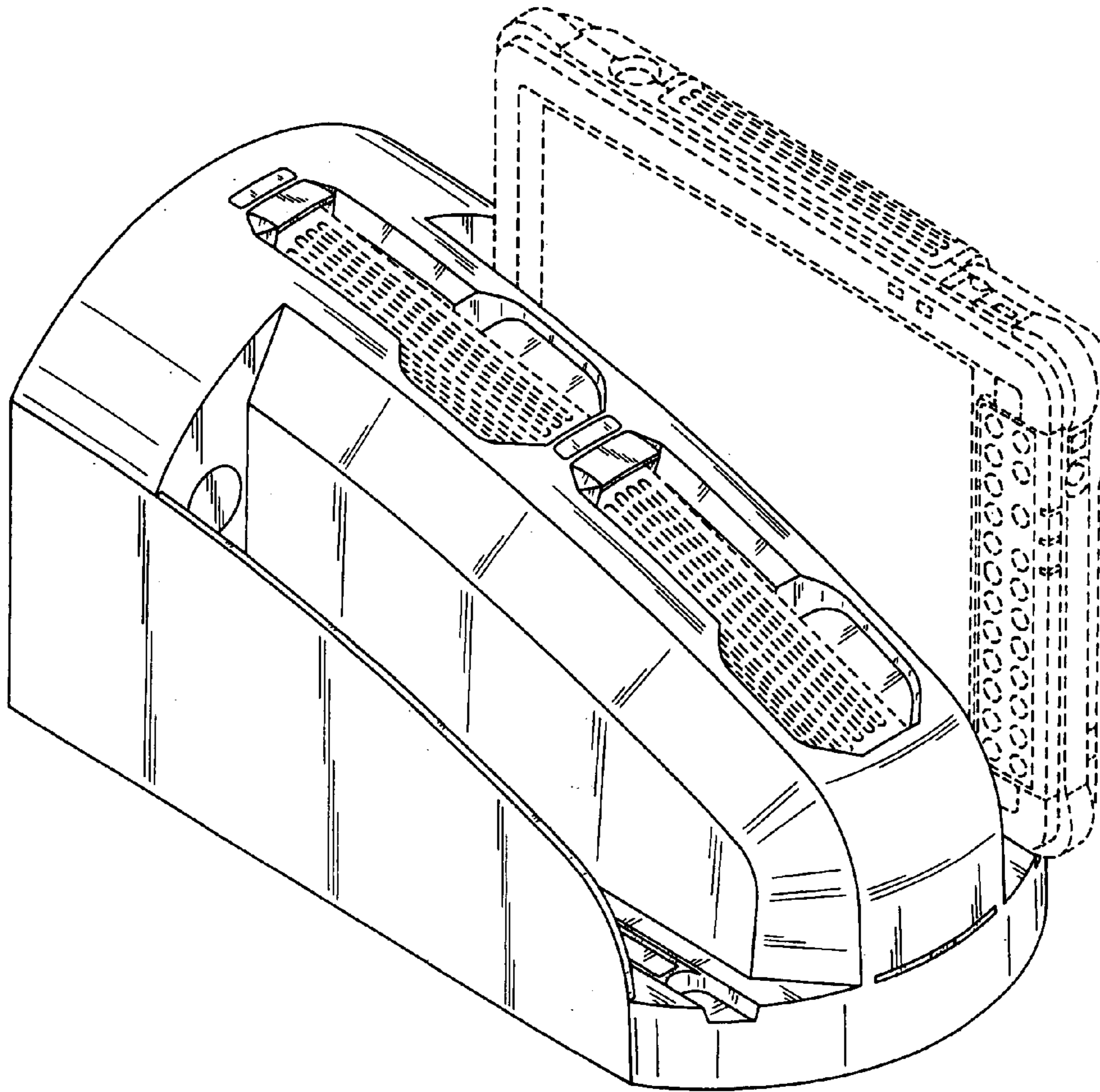


FIG. 8