



US00D552614S

(12) **United States Design Patent**  
**Zhou et al.**

(10) **Patent No.:** **US D552,614 S**  
(45) **Date of Patent:** **\*\* Oct. 9, 2007**

(54) **FRONT BEZEL FOR COMPUTER ENCLOSURE**

D439,254 S \* 3/2001 Zhao ..... D14/441  
FOREIGN PATENT DOCUMENTS

(75) Inventors: **Chang-Sheng Zhou**, Shenzhen (CN);  
**Peng Zhou**, Shenzhen (CN)

TW 153305 3/1991

\* cited by examiner

(73) Assignee: **Hon Hai Precision Industry Co., Ltd.**,  
Tu-Cheng, Taipei Hsien (TW)

*Primary Examiner*—Freda S Nunn

(74) *Attorney, Agent, or Firm*—Wei Te Chung

(\*\*) Term: **14 Years**

(57) **CLAIM**

(21) Appl. No.: **29/262,011**

The ornamental design for a front bezel for computer enclosure, as shown and described.

(22) Filed: **Jun. 23, 2006**

**DESCRIPTION**

(30) **Foreign Application Priority Data**

May 5, 2006 (CN) ..... 2006 3 0060658

FIG. 1 is a perspective view of a front bezel for computer enclosure showing our new design;

FIG. 2 is a front elevational view thereof;

(51) **LOC (8) Cl.** ..... **14-02**

(52) **U.S. Cl.** ..... **D14/444**

(58) **Field of Classification Search** ..... D14/441-446;  
D13/162, 184, 199; 312/223.1-223.3; 361/680-686,  
361/690-696; 369/34.01, 36.01

FIG. 3 is a left side elevational view thereof;

FIG. 4 is a right side elevational view thereof;

FIG. 5 is a top plan view thereof;

FIG. 6 is a bottom plan view thereof; and,

See application file for complete search history.

FIG. 7 is a perspective view thereof in using condition and being mounted to a computer enclosure.

(56) **References Cited**

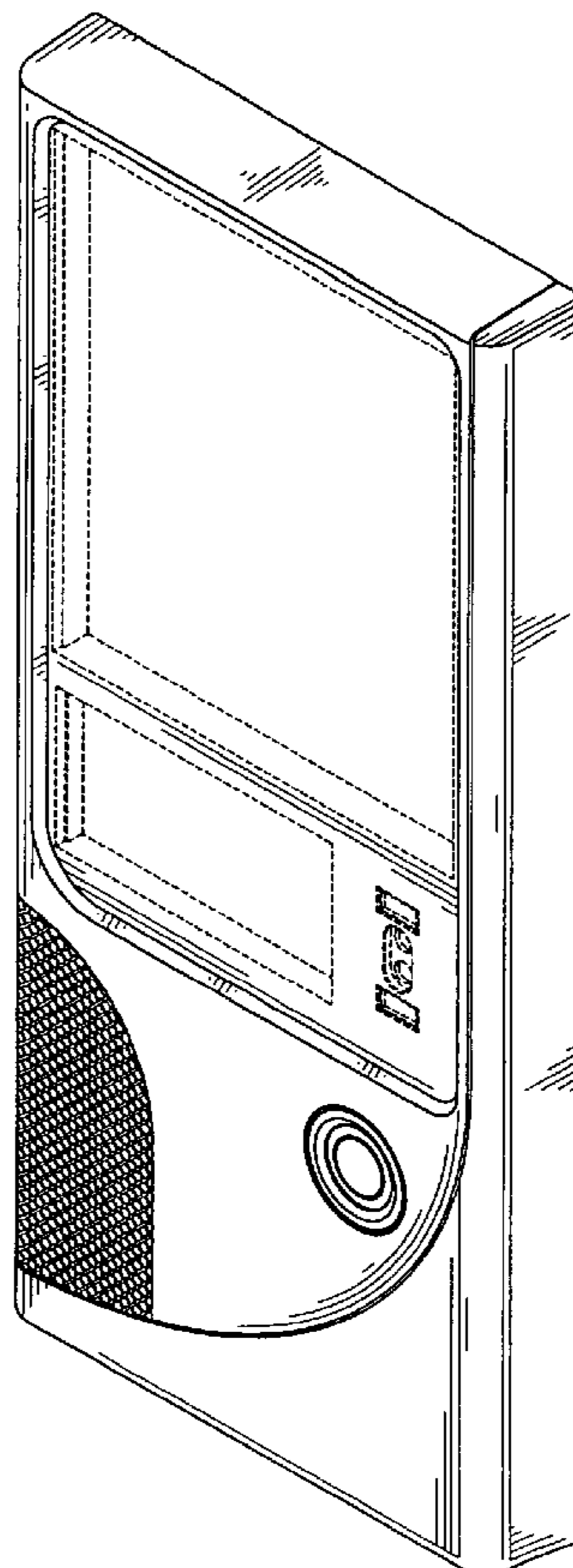
**U.S. PATENT DOCUMENTS**

5,169,218 A \* 12/1992 Chu ..... 312/223.2

D431,825 S \* 10/2000 Jean et al. .... D14/444

The broken lines in the views are for illustrative purposes only and form no part of the claimed design.

**1 Claim, 5 Drawing Sheets**



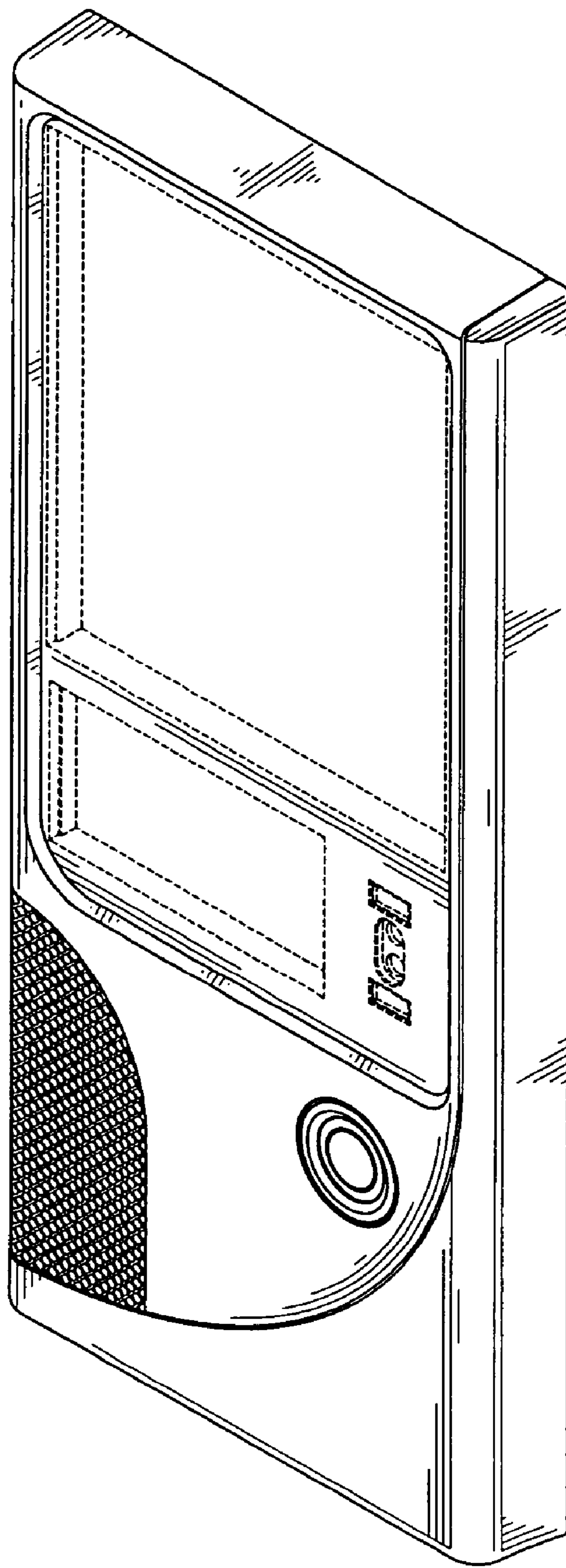


FIG. 1

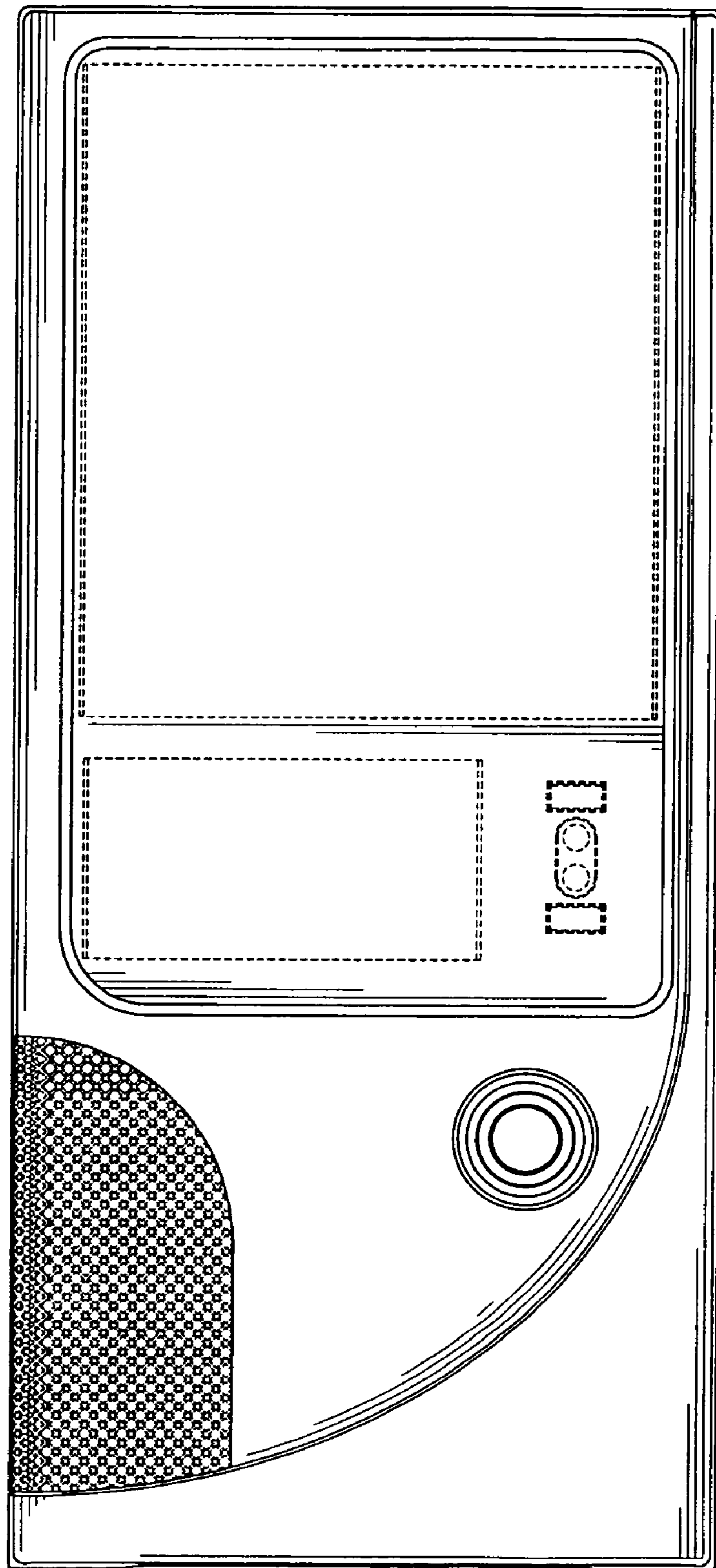


FIG. 2

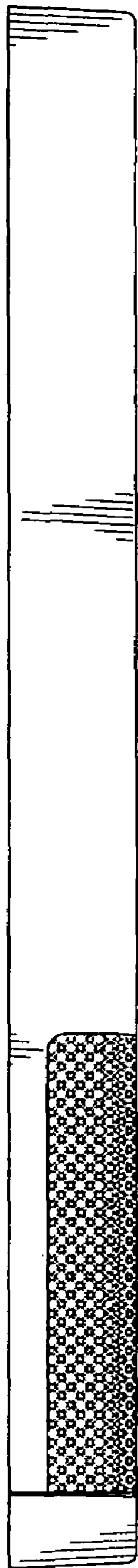


FIG. 3



FIG. 4

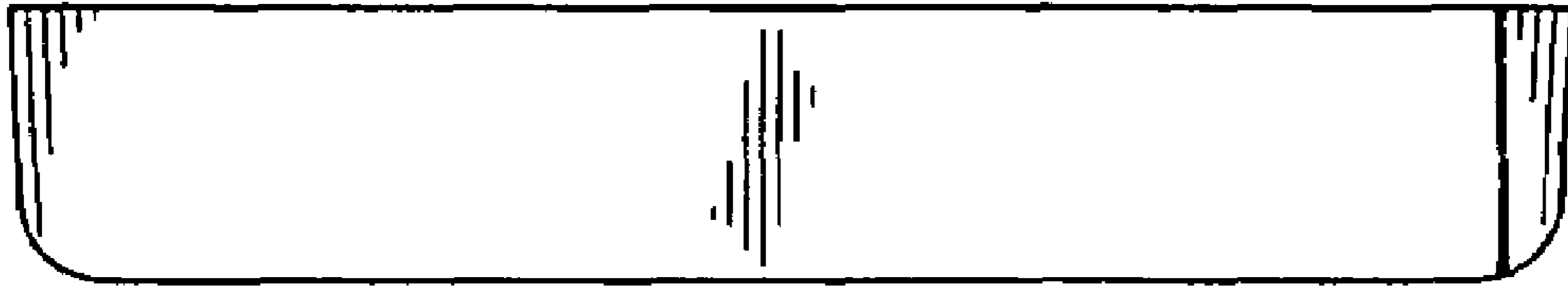


FIG. 5

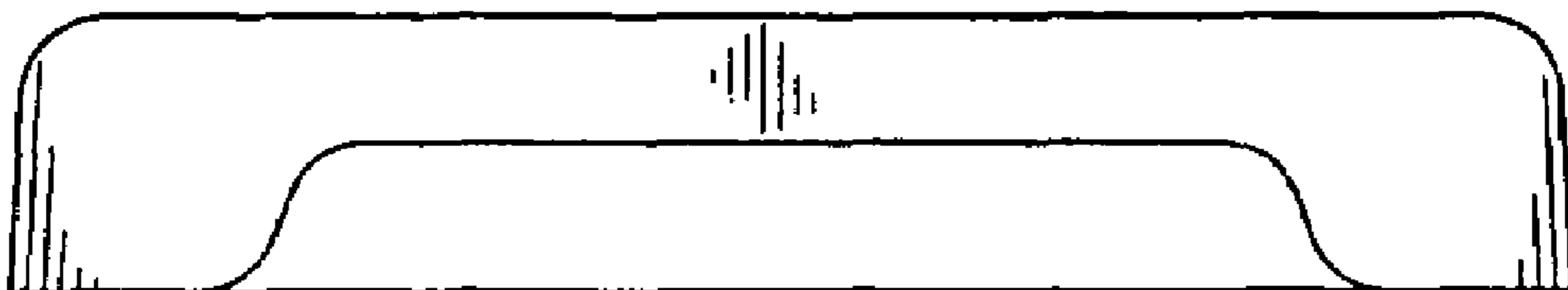


FIG. 6



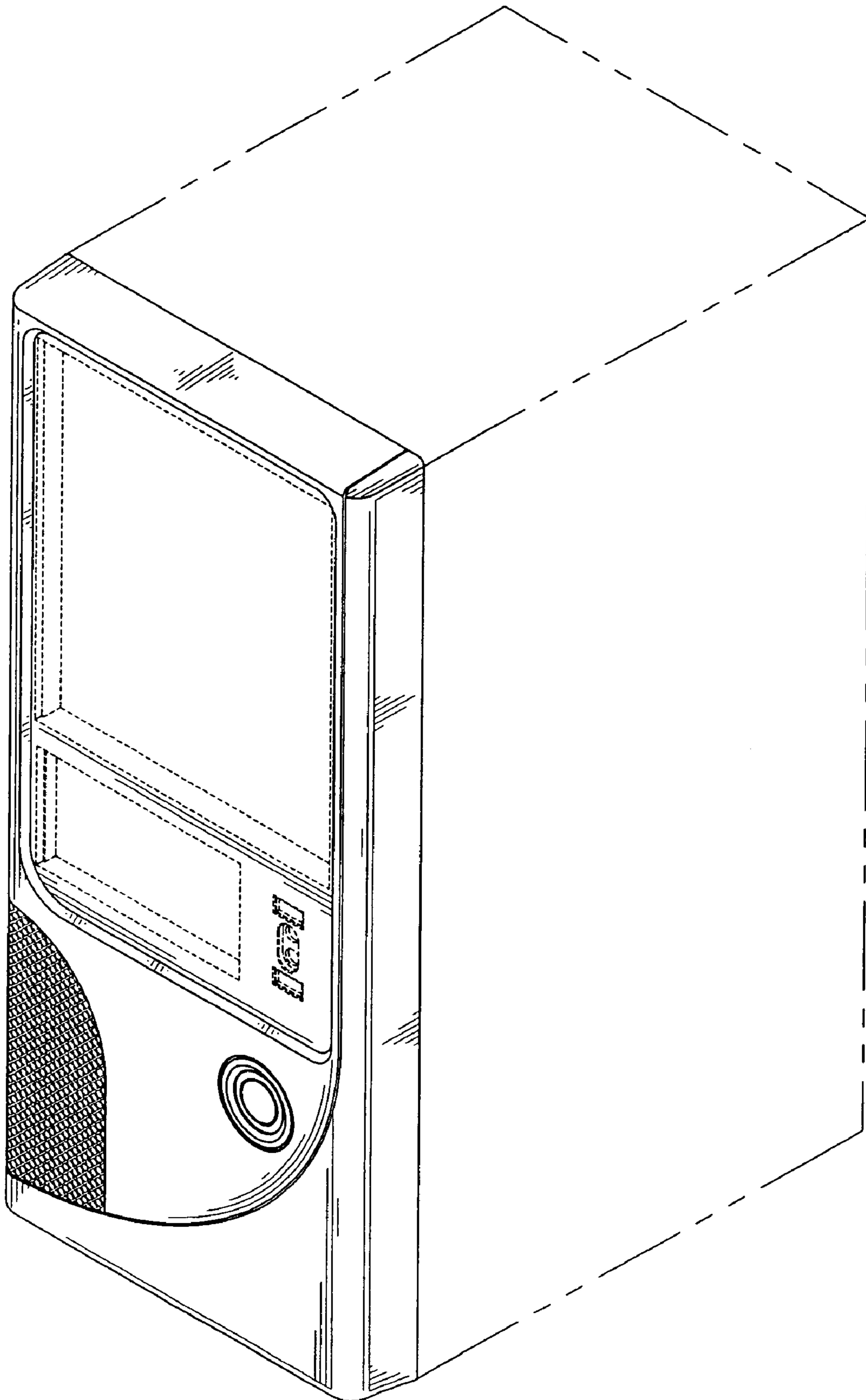


FIG. 7