



US00D552611S

(12) **United States Design Patent**  
**Hagiwara et al.**

(10) **Patent No.:** **US D552,611 S**

(45) **Date of Patent:** **\*\* Oct. 9, 2007**

(54) **CRADLE FOR A PERSONAL DIGITAL ASSISTANT**

(75) Inventors: **Natsuki Hagiwara**, Kawasaki (JP);  
**Manabu Tominaga**, Tokyo (JP)

(73) Assignee: **NEC Infrontia Corporation**,  
Kawasaki-shi (JP)

(\*\*) Term: **14 Years**

(21) Appl. No.: **29/242,512**

(22) Filed: **Nov. 10, 2005**

(30) **Foreign Application Priority Data**

May 18, 2005 (JP) ..... 2005-014278

(51) **LOC (8) Cl.** ..... **14-02**

(52) **U.S. Cl.** ..... **D14/434**

(58) **Field of Classification Search** ..... D14/434,  
D14/447, 432, 433, 385, 357; D13/199,  
D13/107, 108, 118; 361/600, 679, 683, 686;  
320/113-115

See application file for complete search history.

(56) **References Cited**

**U.S. PATENT DOCUMENTS**

- 5,248,264 A \* 9/1993 Long et al. .... 439/347
- D351,133 S \* 10/1994 Jungels-Butler et al. ... D13/108
- D363,274 S \* 10/1995 Pangburn ..... D14/434
- D368,704 S \* 4/1996 Tanaka ..... D14/434
- 5,627,727 A \* 5/1997 Aguilera et al. .... 361/686
- D409,170 S \* 5/1999 Ota et al. .... D14/357
- D411,835 S \* 7/1999 Mizusugi et al. .... D14/434
- D457,162 S \* 5/2002 Hawkins et al. .... D14/434

- D475,011 S \* 5/2003 Kataoka ..... D13/108
- D477,604 S \* 7/2003 Lin ..... D14/434
- D486,492 S \* 2/2004 Sheu et al. .... D14/434
- D487,897 S \* 3/2004 Huang et al. .... D14/434
- 2003/0048599 A1\* 3/2003 Martin ..... 361/683

\* cited by examiner

*Primary Examiner*—M. H. Tung

*Assistant Examiner*—Susan Moon Lee

(74) *Attorney, Agent, or Firm*—Frishauf, Holtz, Goodman & Chick, P.C.

(57) **CLAIM**

We claim the ornamental design for a cradle for a personal digital assistant, as shown and described.

**DESCRIPTION**

FIG. 1 is a reduced scale front, top, right side perspective view of a cradle for a personal digital assistant showing our new design;

FIG. 2 is a front elevational view thereof;

FIG. 3 is a rear elevational view thereof;

FIG. 4 is a left side view thereof;

FIG. 5 is a right side view thereof;

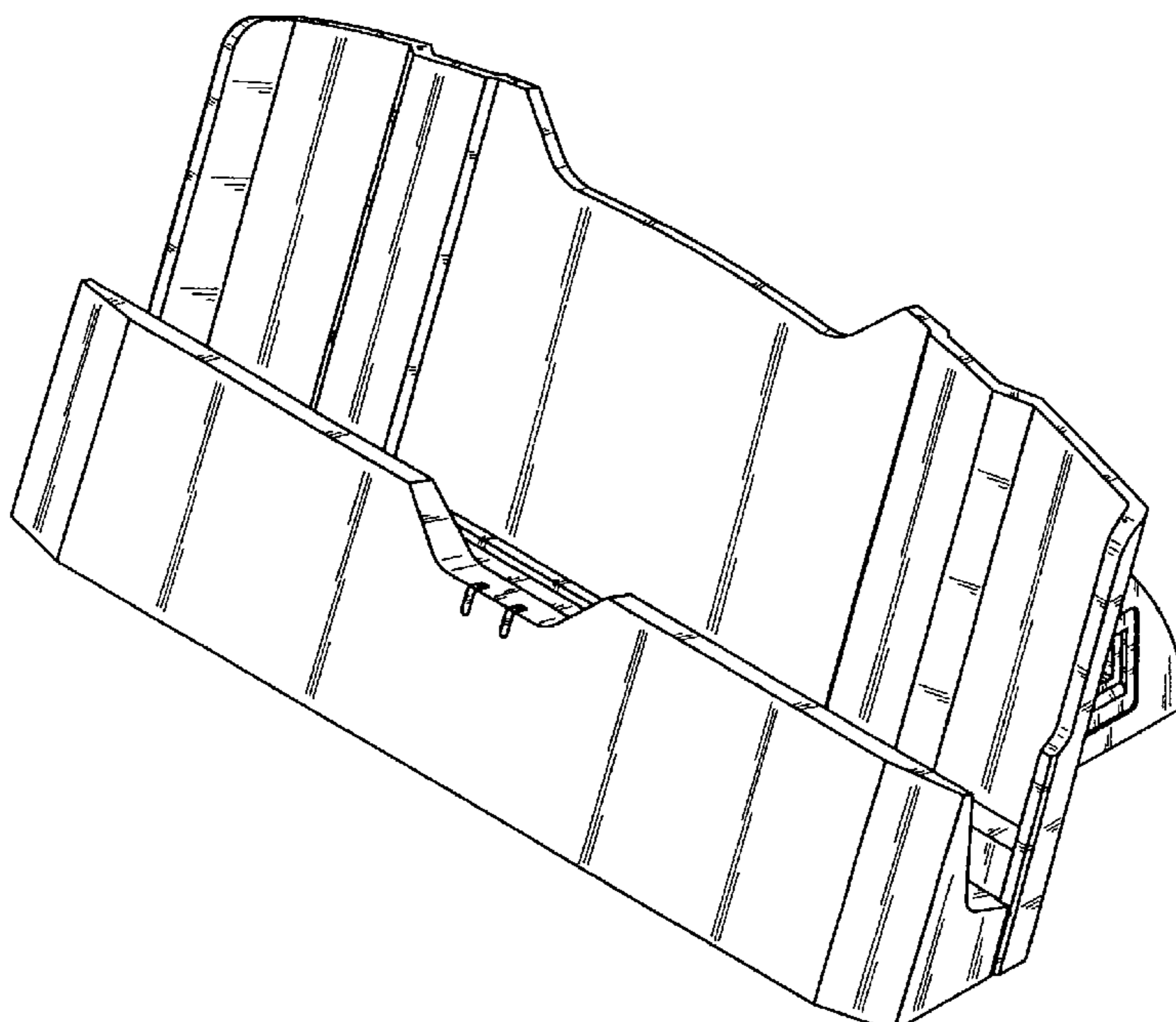
FIG. 6 is a top plan view thereof;

FIG. 7 is a bottom plan view thereof; and,

FIG. 8 is a further reduced reference perspective view thereof illustrating a state in which a personal digital assistant is shown attached in phantom.

The broken line showings are for illustrative purposes only and form no part of the claimed design.

**1 Claim, 5 Drawing Sheets**



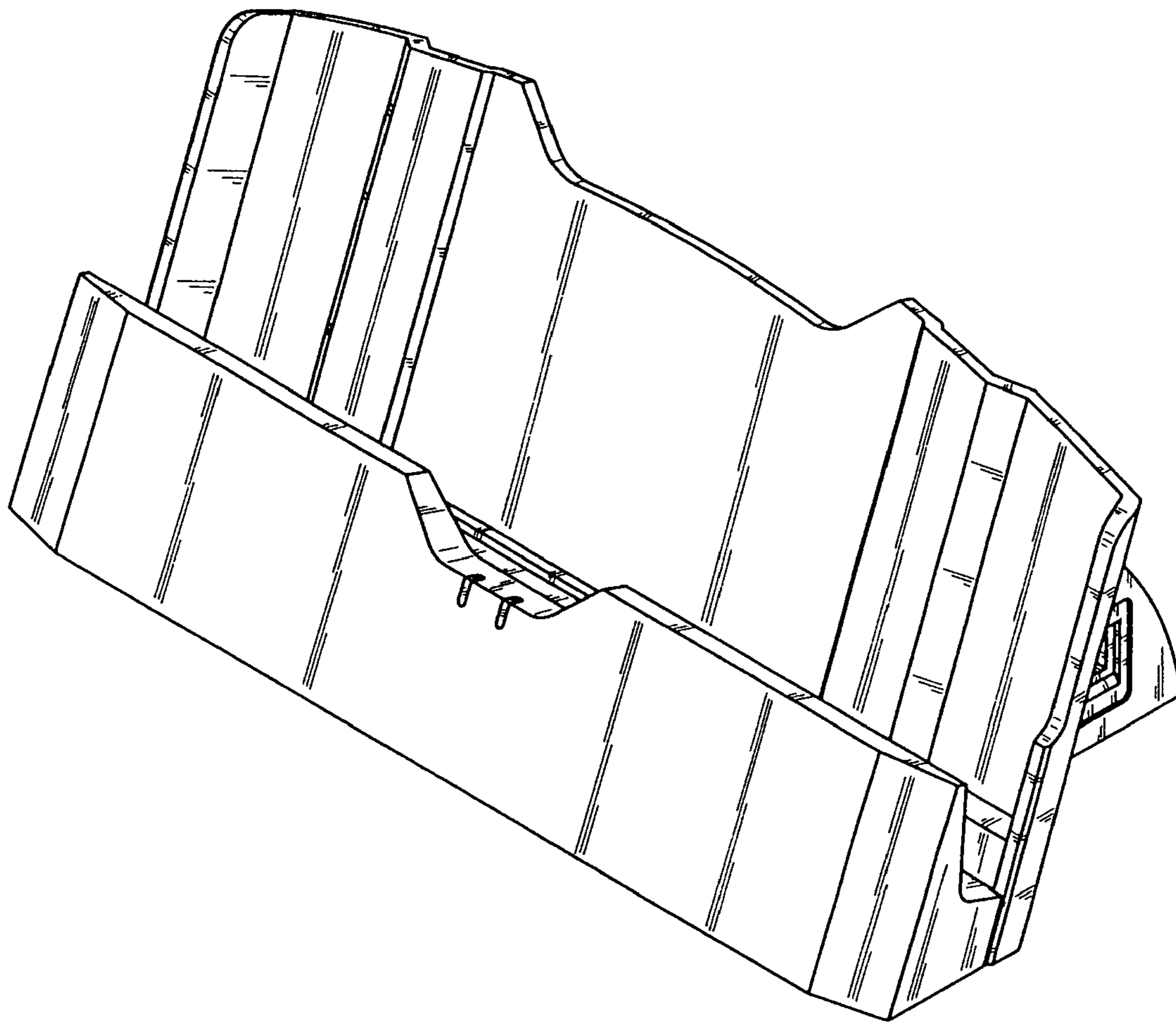


FIG. 1

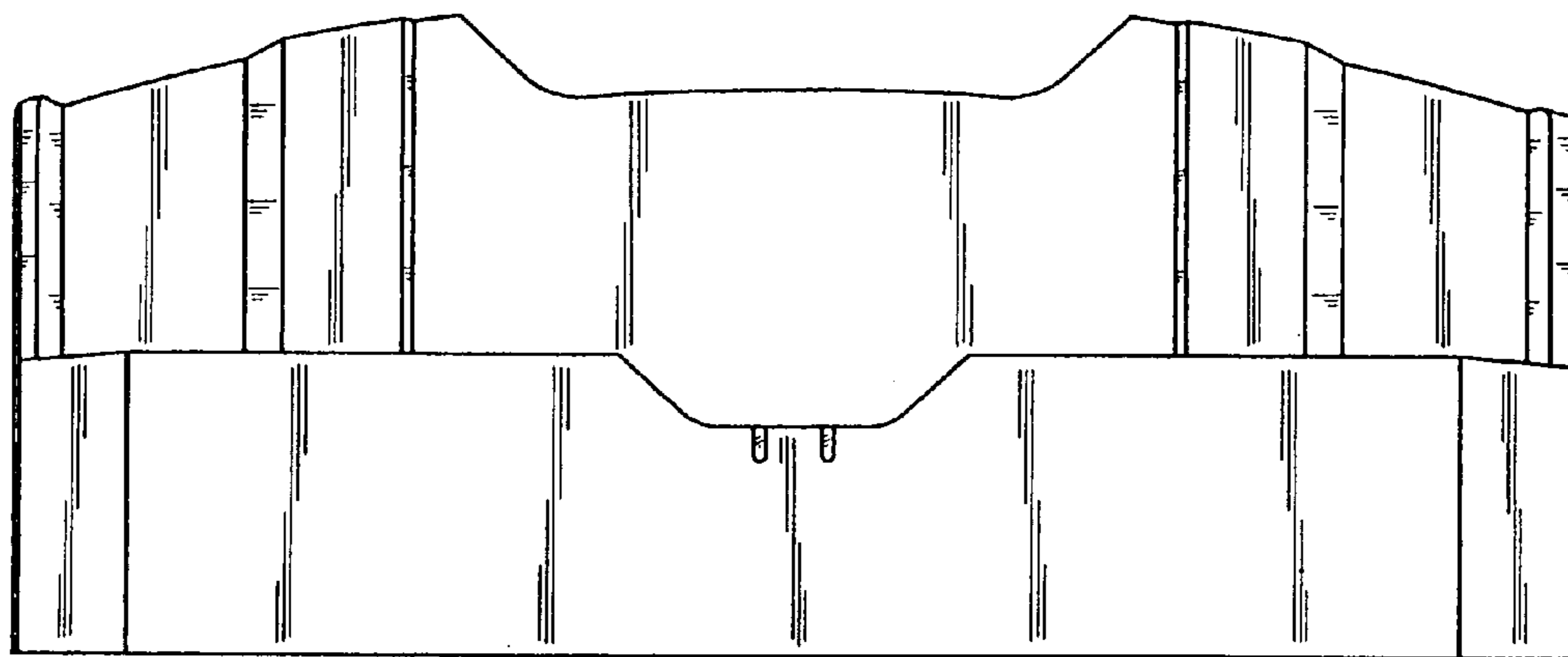


FIG. 2

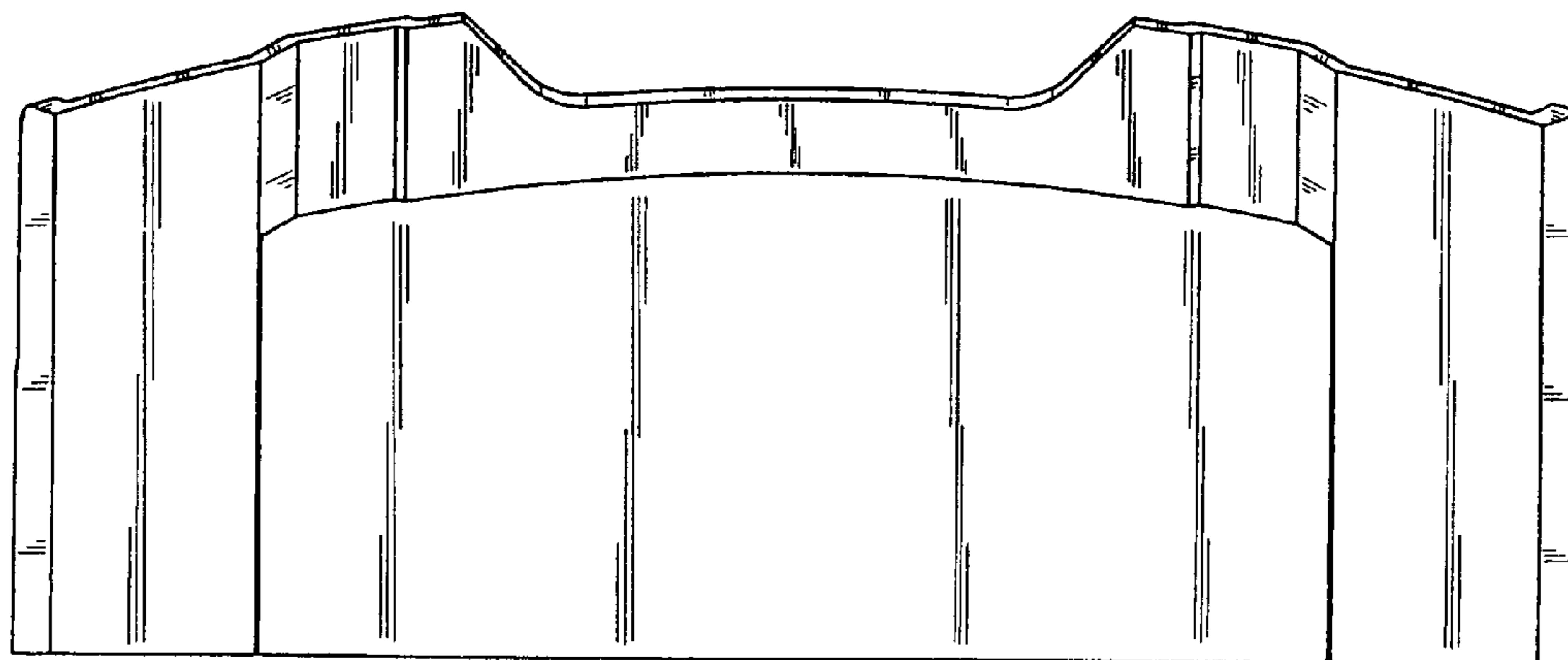


FIG. 3

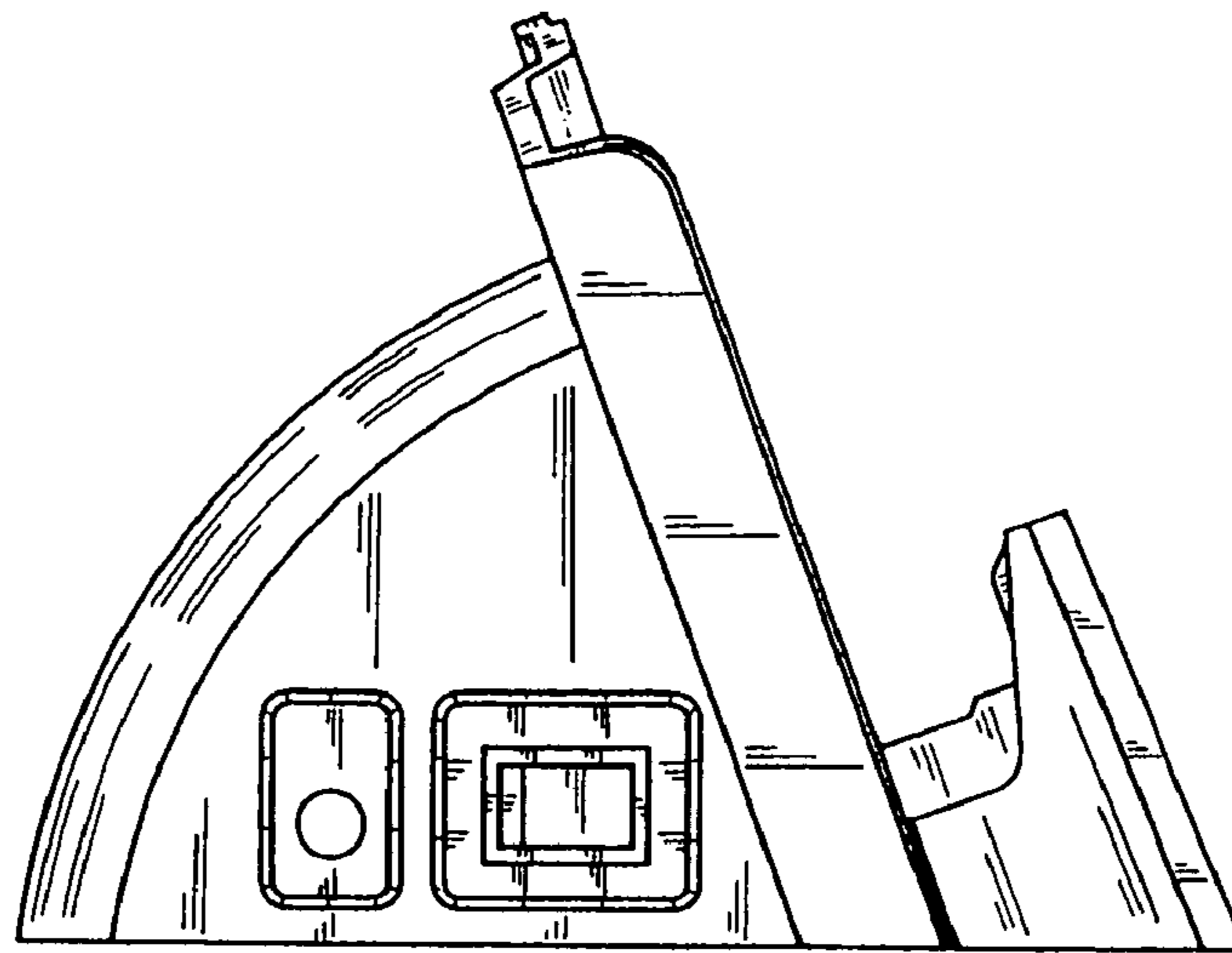


FIG. 4

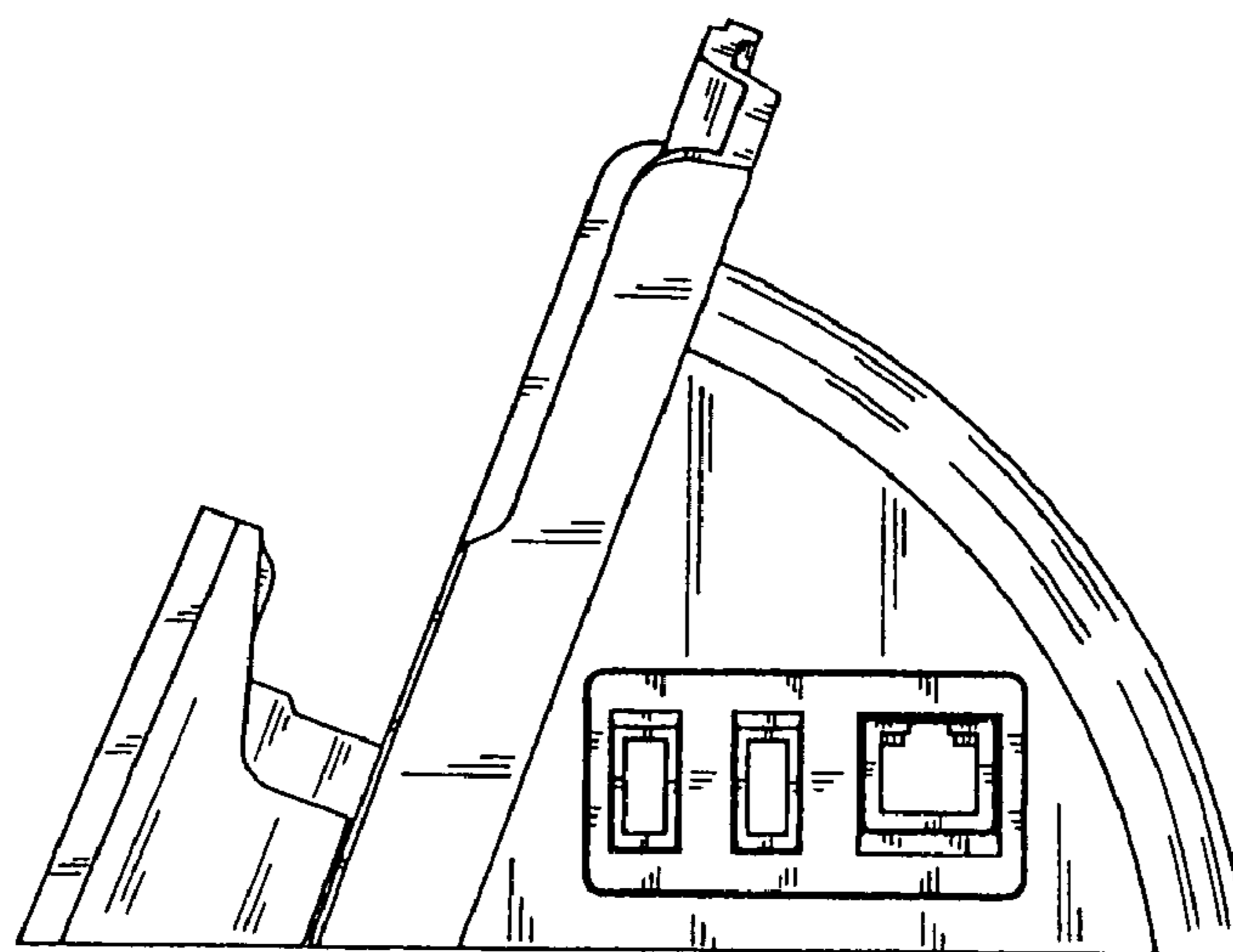


FIG. 5

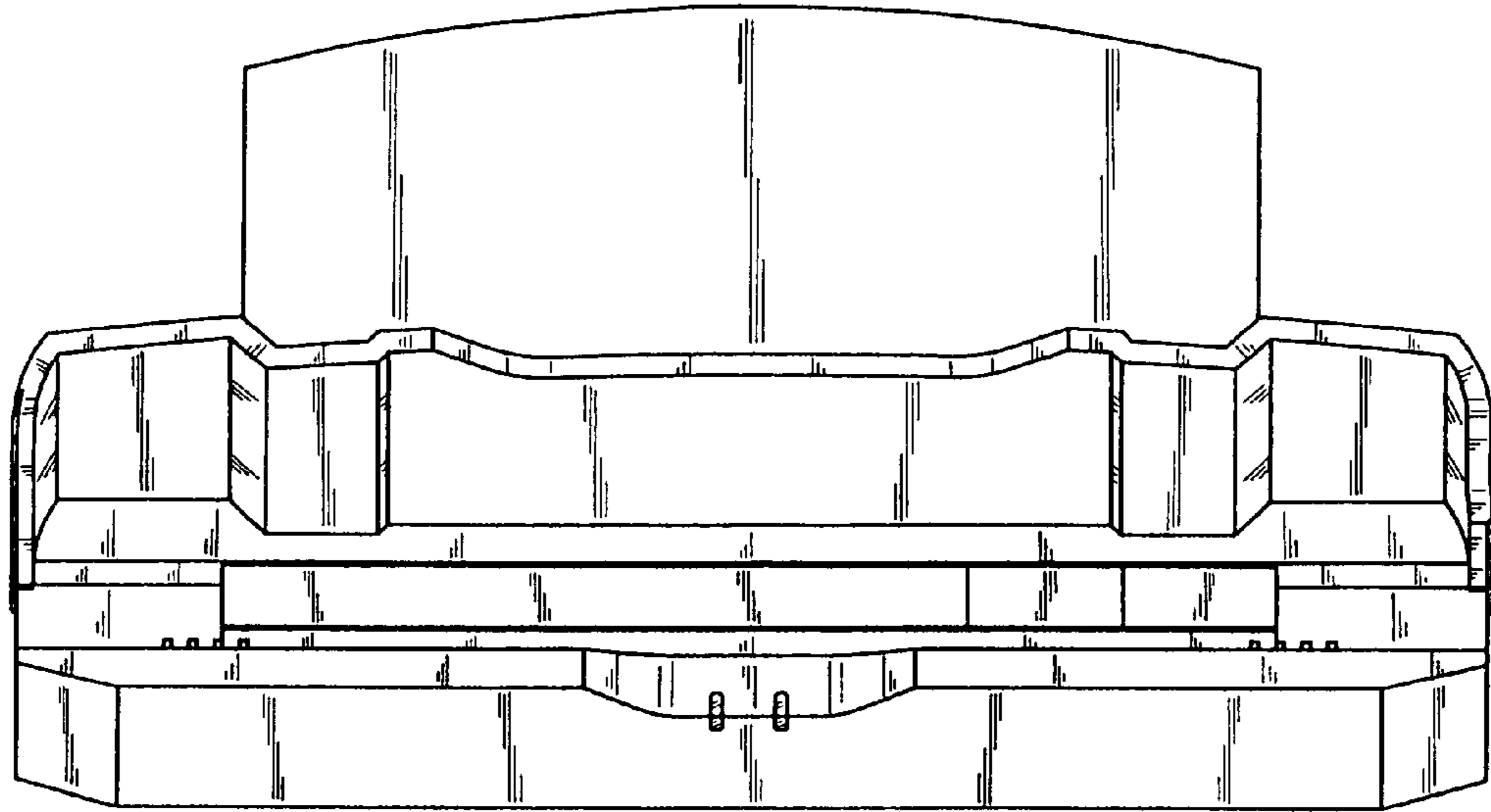


FIG. 6

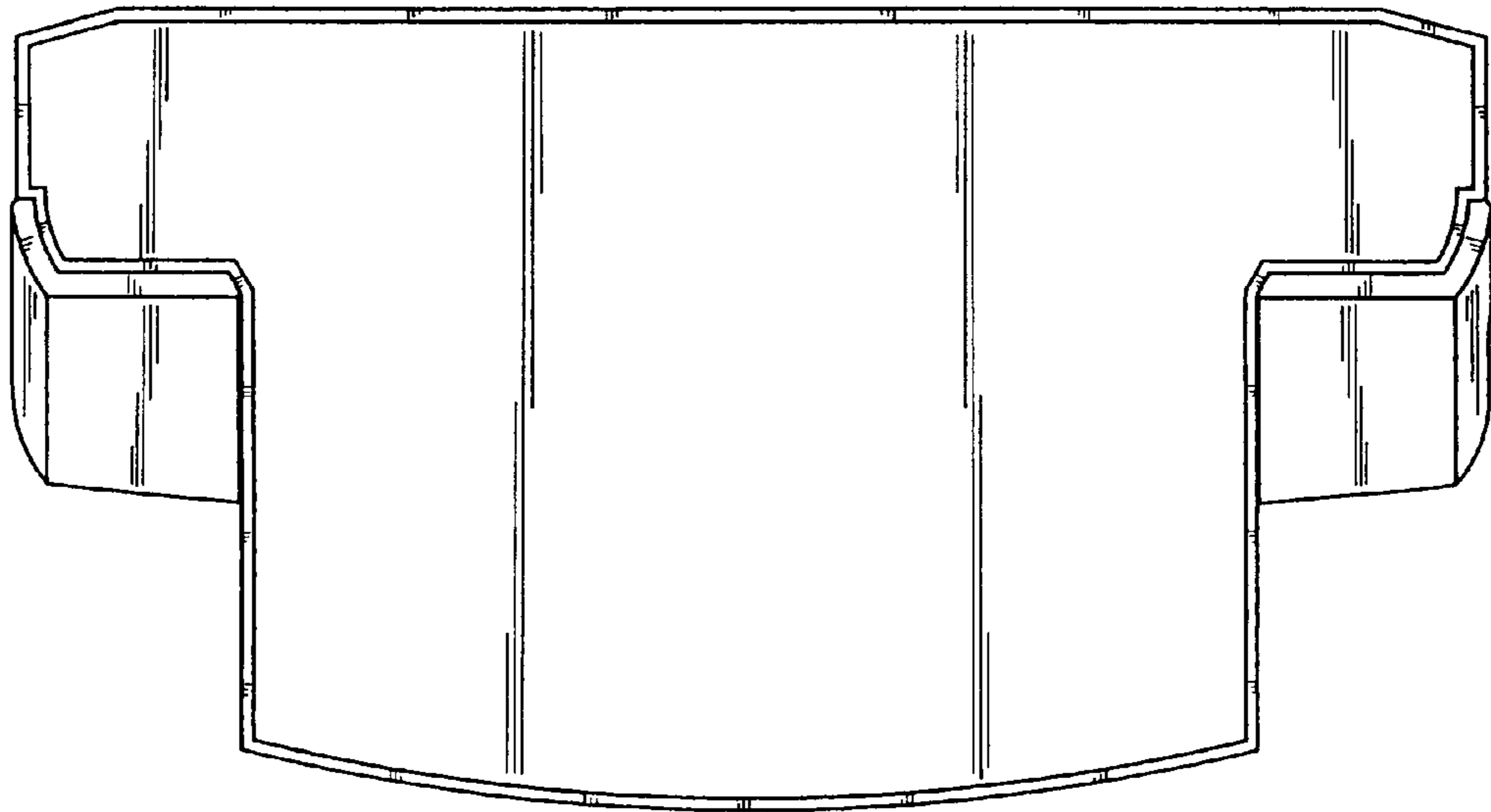


FIG. 7

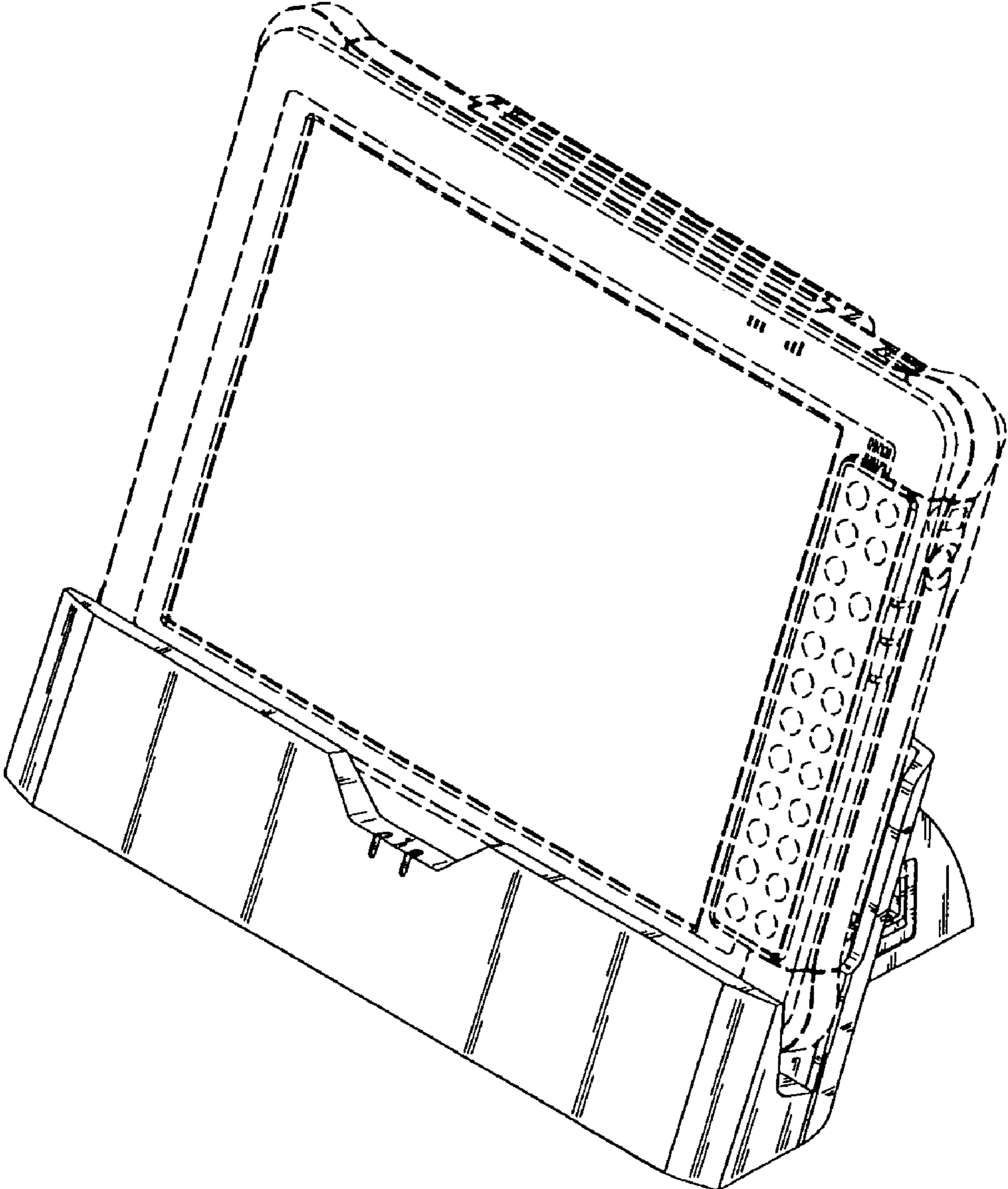


FIG. 8