



US00D552609S

(12) **United States Design Patent**
Kornblum et al.

(10) **Patent No.:** **US D552,609 S**

(45) **Date of Patent:** **** Oct. 9, 2007**

(54) **COCKPIT CONTROL**

(75) Inventors: **Matthew A. Kornblum**, Bradenton, FL (US); **Kenneth L. Sanborn**, Longboat Key, FL (US)

(73) Assignee: **Gyrocam Systems, LLC**, Sarasota, FL (US)

(**) Term: **14 Years**

(21) Appl. No.: **29/234,044**

(22) Filed: **Jul. 13, 2005**

(51) **LOC (8) Cl.** **14-02**

(52) **U.S. Cl.** **D14/412; D21/566**

(58) **Field of Classification Search** D14/217, D14/218, 356, 388, 399, 400, 401, 412-416, D14/432, 434, 496, 454-457; D21/324, D21/332, 333, 566; 463/1, 30, 36-38, 46, 463/47; 273/148 B, 148 R; 345/156-161, 345/905; D10/49, 60, 67, 102-104, 106, D10/121

See application file for complete search history.

(56) **References Cited**

U.S. PATENT DOCUMENTS

- D180,844 S * 8/1957 Follakoff D10/49
- D237,893 S * 12/1975 Wennerstrom D14/137
- D343,135 S * 1/1994 Witzky et al. D10/106
- D346,602 S * 5/1994 Robertson D14/217
- D401,963 S * 12/1998 Schneider et al. D17/99
- D413,600 S * 9/1999 Cheng et al. D14/218
- D415,161 S * 10/1999 Gerba et al. D14/218

- D424,962 S * 5/2000 Dawn D10/121
- D432,916 S * 10/2000 Drinkwater et al. D9/447
- D434,338 S * 11/2000 Odom et al. D10/49
- D457,163 S * 5/2002 Peiker D14/434

OTHER PUBLICATIONS

Controller which was offered for sale or sold by Gyrocam Systems, LLC more than one year before Jul. 13, 2005.

* cited by examiner

Primary Examiner—Stella Reid

Assistant Examiner—Keli' L. Acker

(74) *Attorney, Agent, or Firm*—Adams Evans P. A.

(57) **CLAIM**

We claim the ornamental design for a cockpit control, as shown and described.

DESCRIPTION

FIG. 1 is a perspective view of a cockpit control, showing our new design;

FIG. 2 is a front view thereof;

FIG. 3 is a rear view thereof;

FIG. 4 is a right side view thereof;

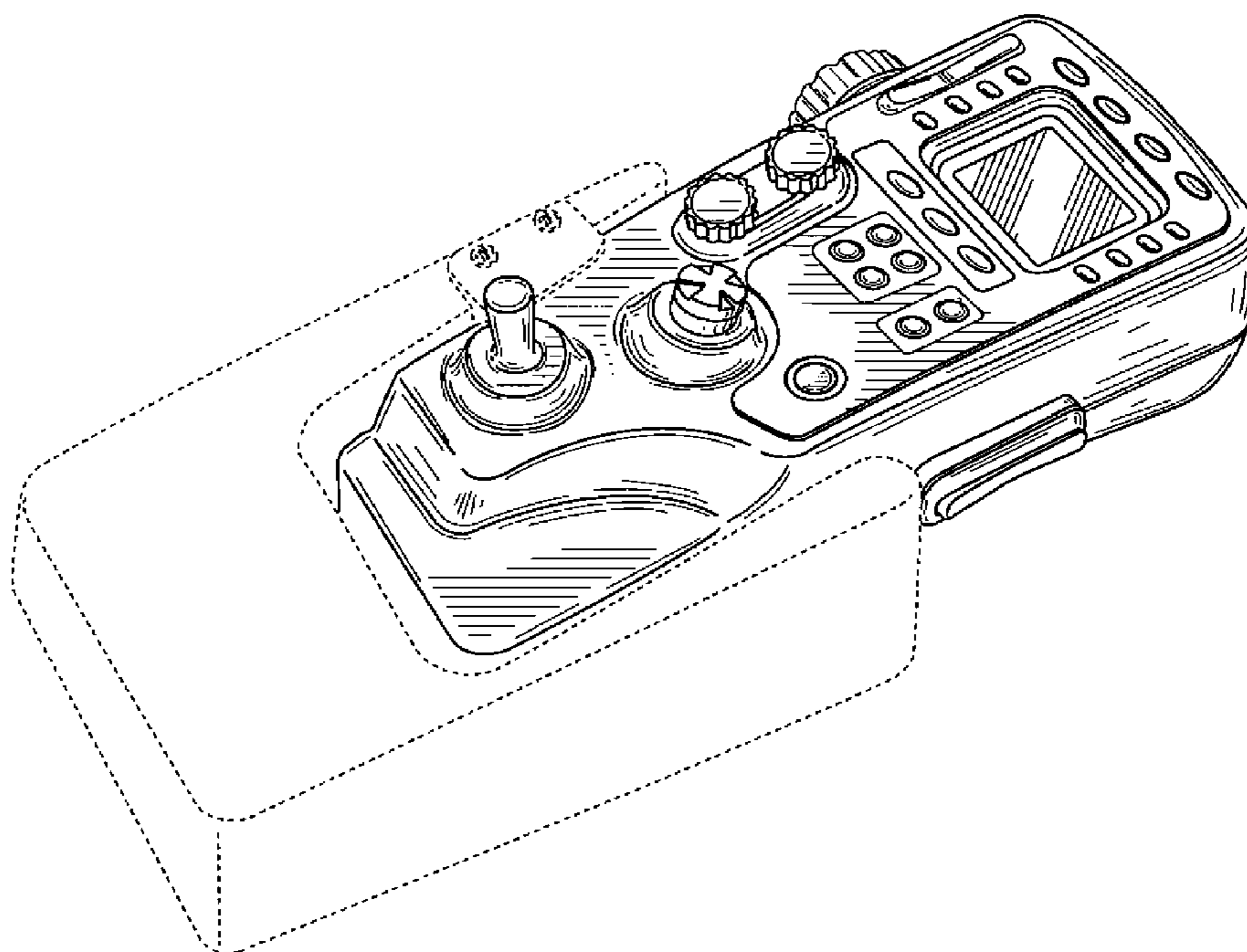
FIG. 5 is a left side view thereof;

FIG. 6 is a top plan thereof; and,

FIG. 7 is a bottom view thereof.

The broken line showing of the cockpit control is included for the purpose of illustrating environmental structure and forms no part of the claimed design.

1 Claim, 7 Drawing Sheets



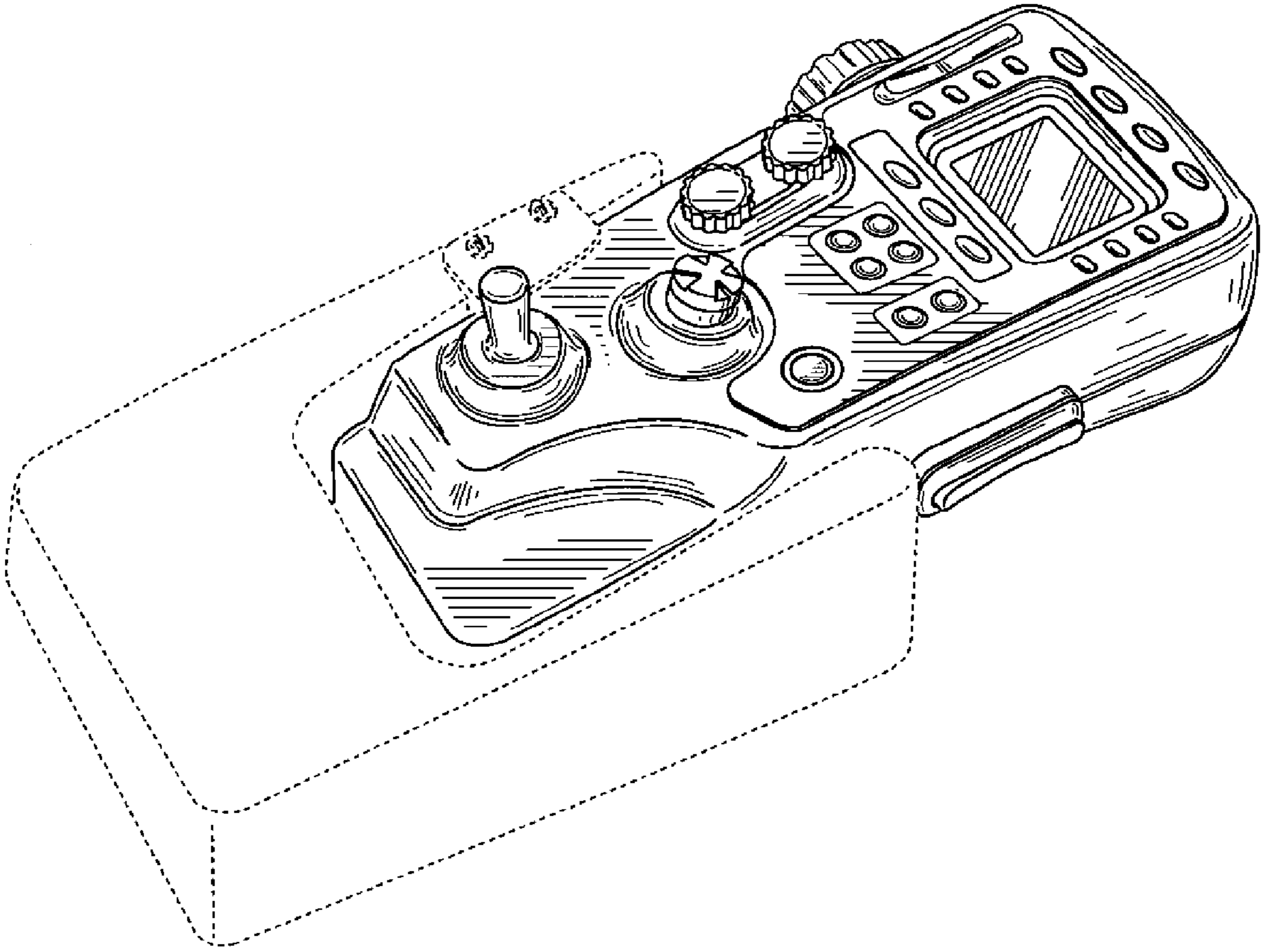


FIG. 1

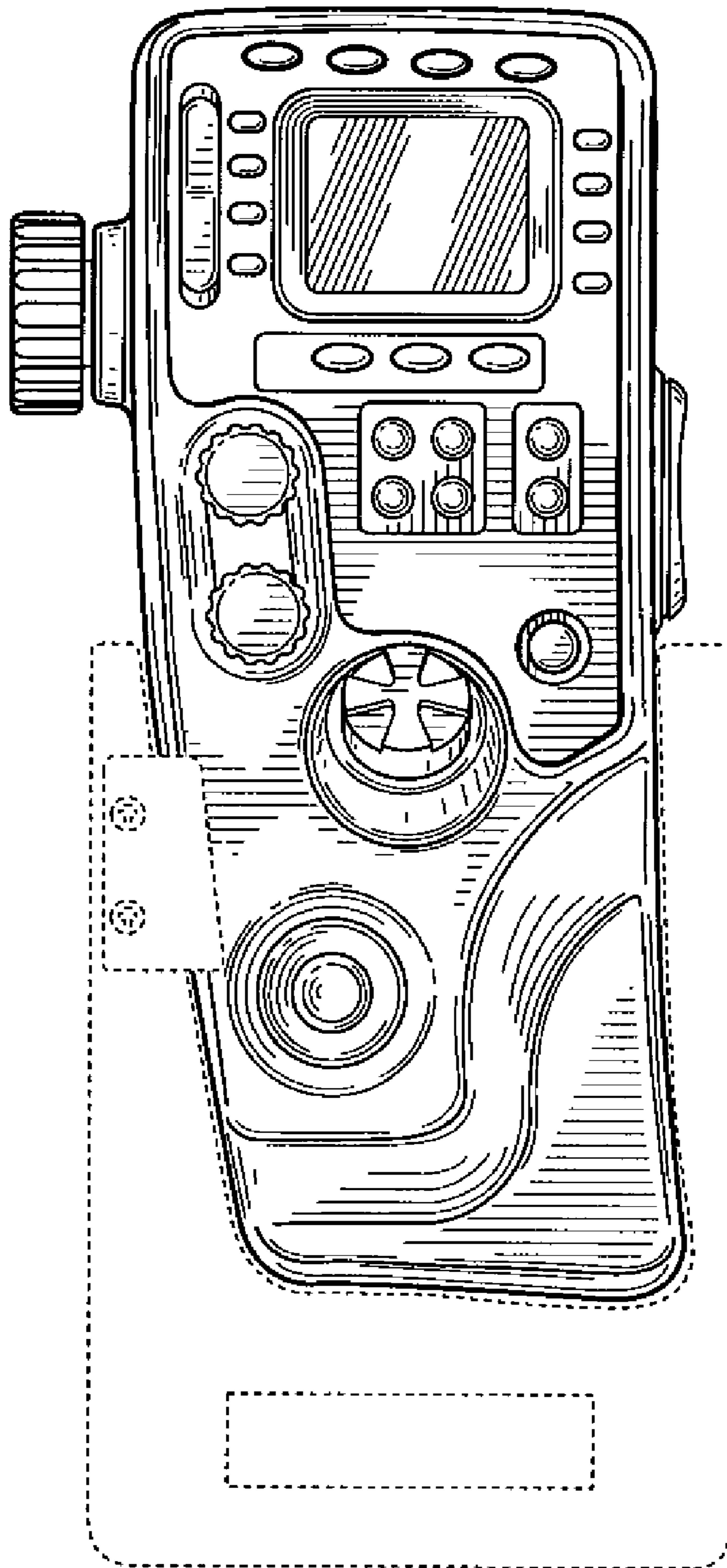


FIG. 2

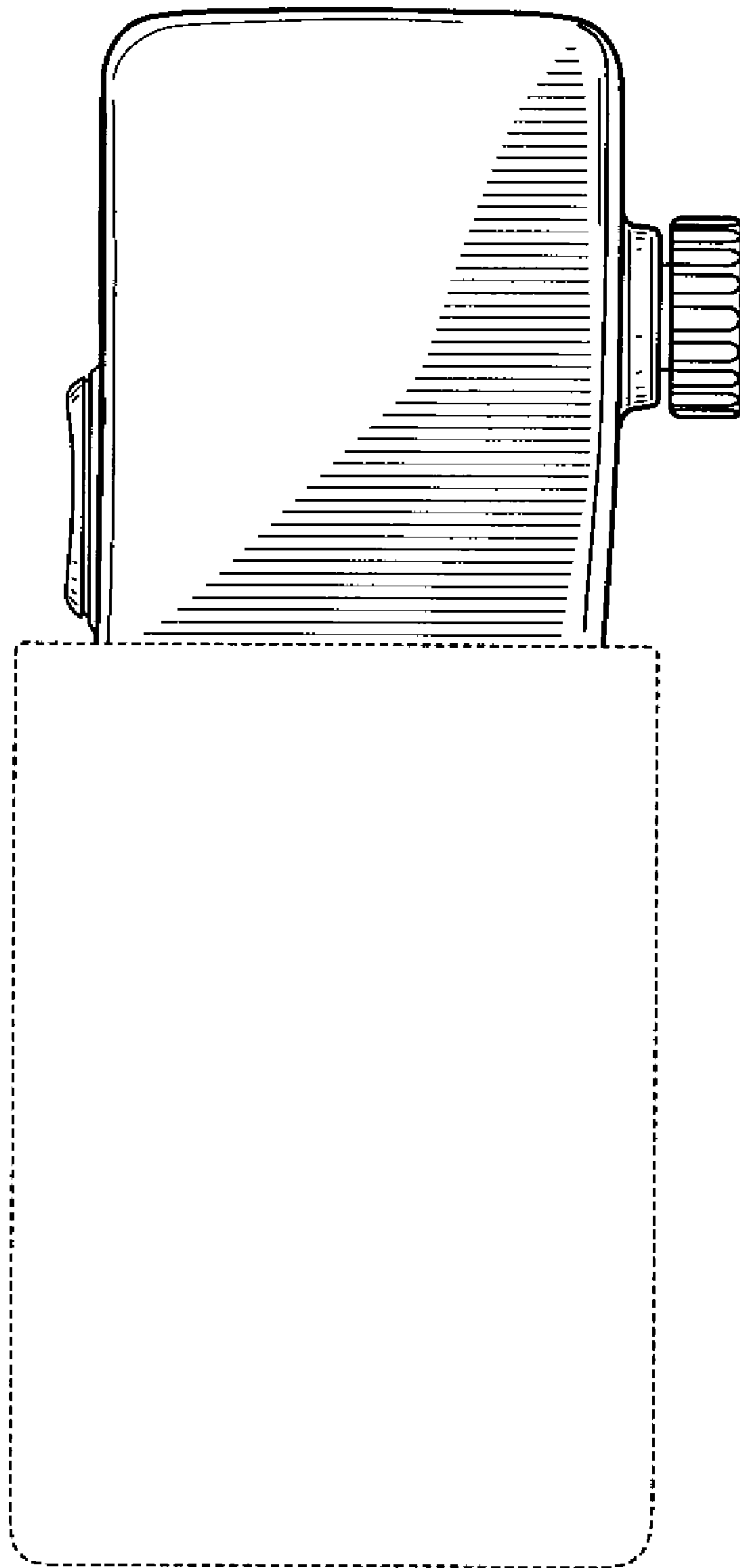


FIG. 3

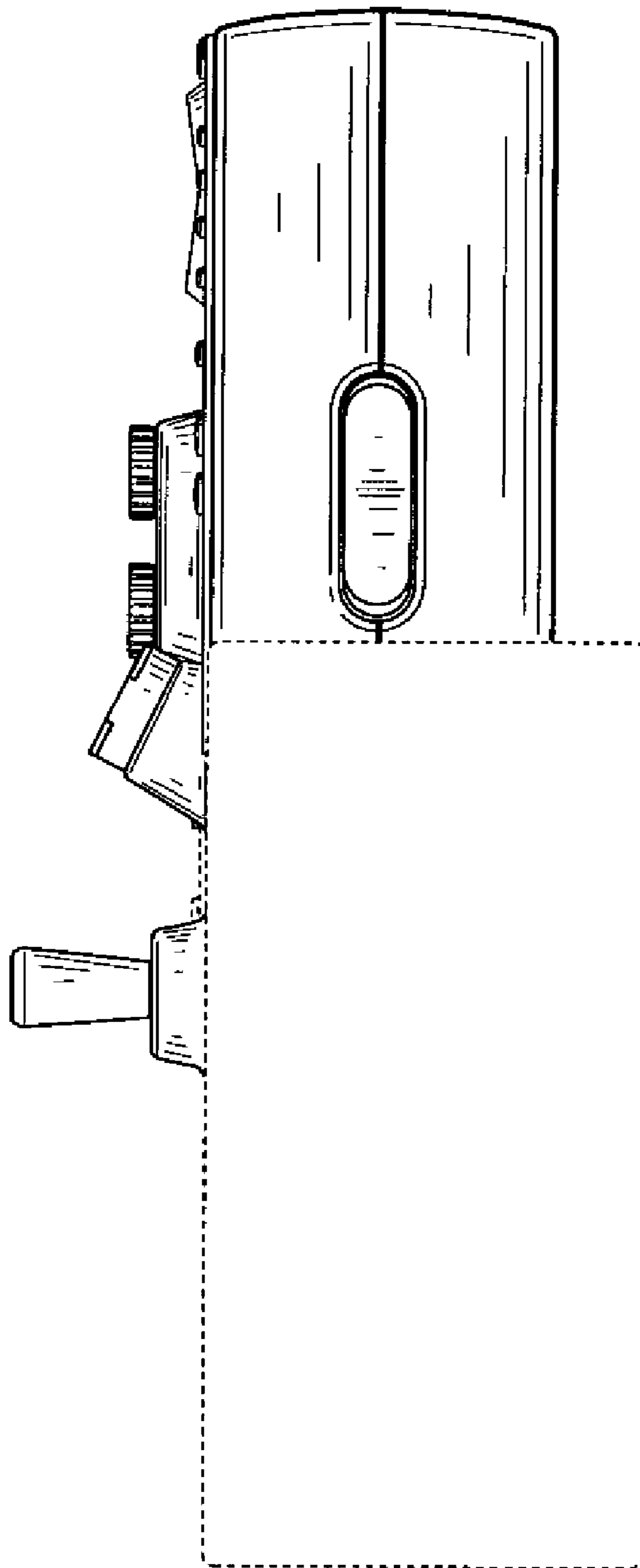


FIG. 4

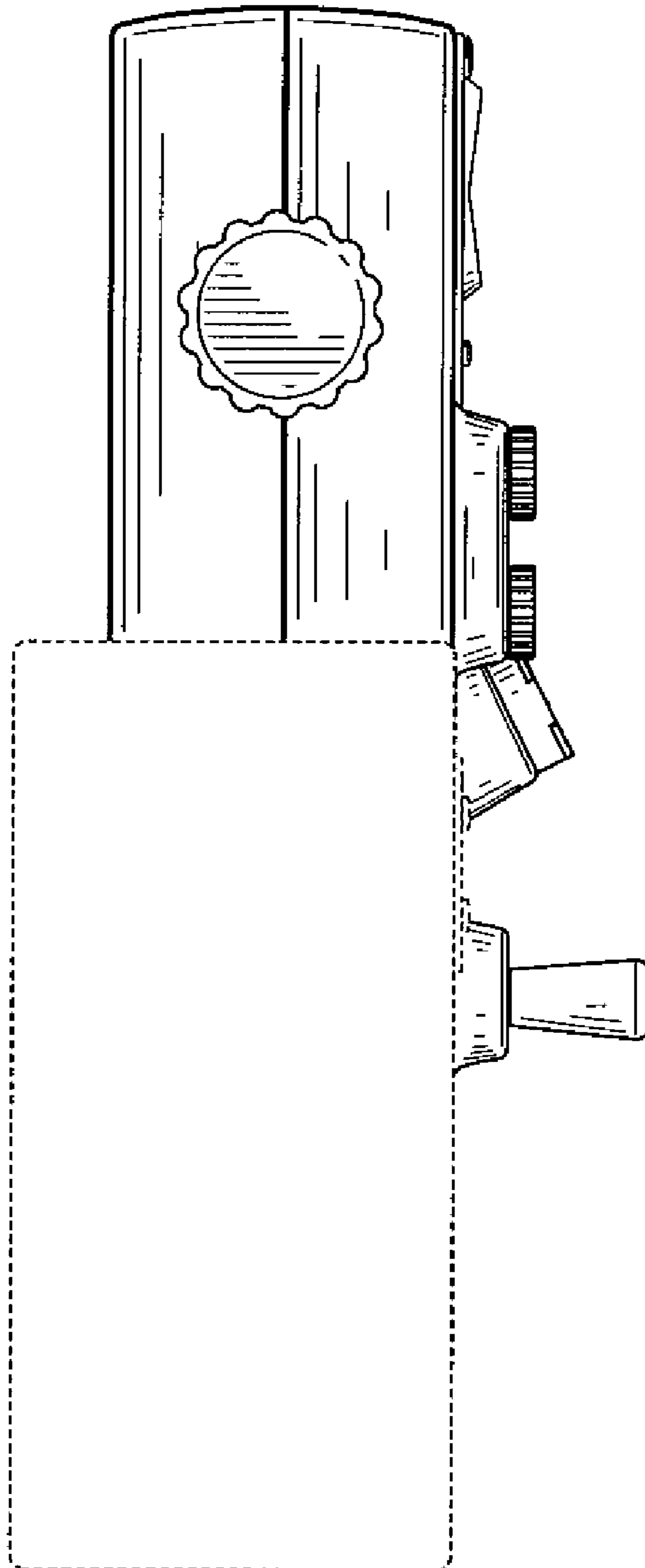


FIG. 5

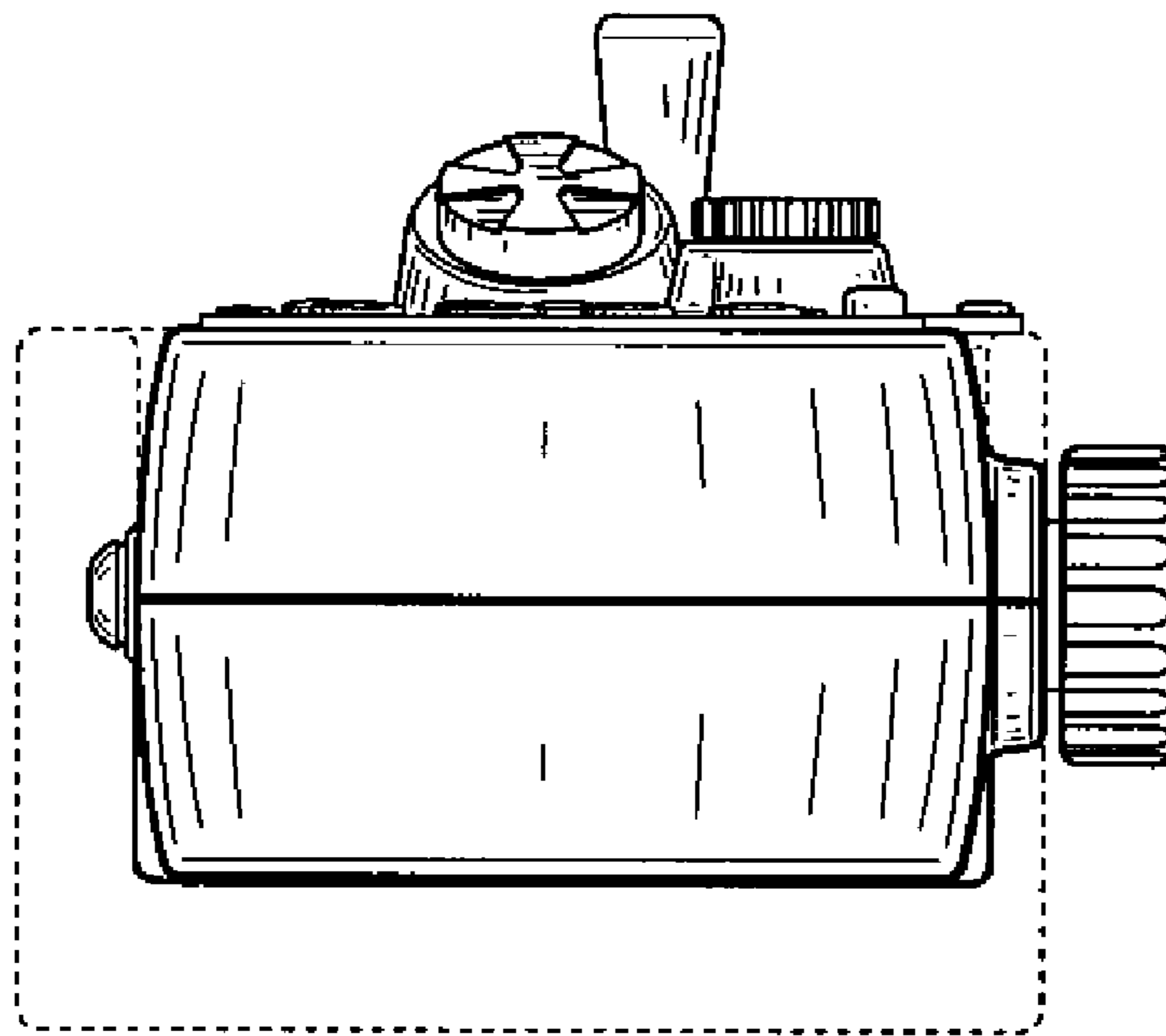


FIG. 6

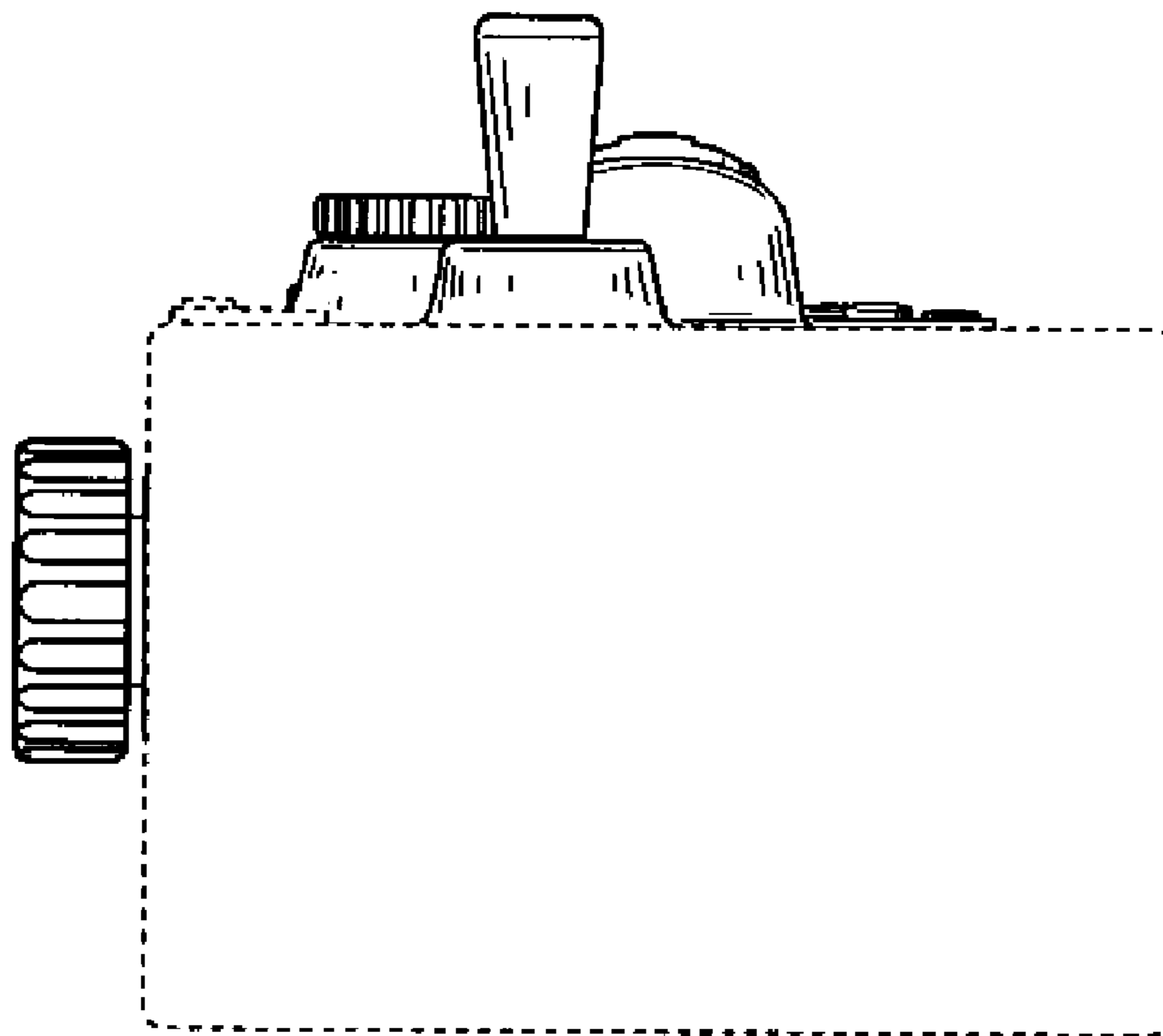


FIG. 7