



US00D552602S

(12) **United States Design Patent**
Säde et al.

(10) **Patent No.:** **US D552,602 S**

(45) **Date of Patent:** **** Oct. 9, 2007**

(54) **HEADSET**

D526,313 S * 8/2006 Murray D14/223
D536,694 S * 2/2007 Eroma et al. D14/223

(75) Inventors: **Heli Säde**, Salo (FI); **Sami Lehtovaara**, Masku (FI)

FOREIGN PATENT DOCUMENTS

(73) Assignee: **Nokia Corporation**, Espoo (FI)

WO DM/066533 5/2005

(**) Term: **14 Years**

* cited by examiner

(21) Appl. No.: **29/262,463**

Primary Examiner—Paula A. Greene
(74) *Attorney, Agent, or Firm*—Banner & Witcoff, Ltd.

(22) Filed: **Jul. 5, 2006**

(57) **CLAIM**

(30) **Foreign Application Priority Data**

The ornamental design for a headset, as shown and described.

Jan. 5, 2006 (FI) M20060006

DESCRIPTION

(51) **LOC (8) Cl.** **14-01**

(52) **U.S. Cl.** **D14/223**

(58) **Field of Classification Search** D14/188,
D14/192, 205–206, 223, 225–229; 181/128,
181/129, 130; 379/430, 433, 446, 330, 370,
379/374, 376, 377, 378, 379, 381; D24/174,
D24/178; 455/351; 381/328, 381

See application file for complete search history.

FIG. 1 is a front view of a headset showing our new design;
FIG. 2 is a rear view thereof;
FIG. 3 is a right side view thereof;
FIG. 4 is a left side view thereof;
FIG. 5 is a perspective front view thereof;
FIG. 6 is a perspective rear view thereof;
FIG. 7 is a second perspective rear thereof; and,
FIG. 8 is a front view of the headset with a microphone
portion in an extended in-use position thereof.

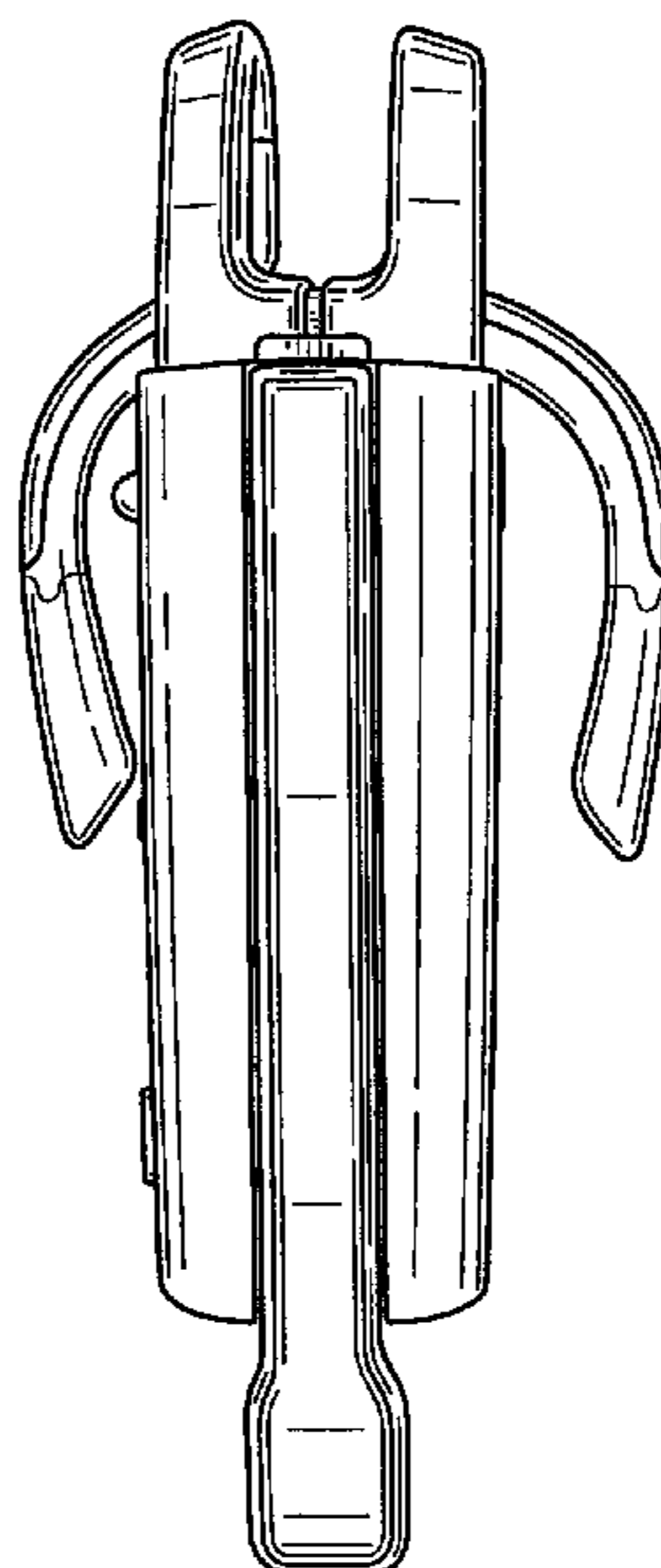
(56) **References Cited**

U.S. PATENT DOCUMENTS

D192,860 S * 5/1962 Yamasaki D24/174
D326,653 S * 6/1992 Hino D14/192
6,101,260 A * 8/2000 Jensen et al. 381/381
6,532,295 B1 * 3/2003 Brimhall et al. 381/328
D494,569 S * 8/2004 Ma D14/223
D498,750 S * 11/2004 Ma D14/223
D502,171 S * 2/2005 Tang et al. D14/223
D504,419 S * 4/2005 Bey et al. D14/223
D508,485 S * 8/2005 Katsumata D14/223
D512,991 S * 12/2005 Yano D14/223
D520,497 S * 5/2006 Yang D14/223

Applicants recognize that the inventive aspects of the current design exist in the headset as a whole, in individual portions and elements thereof, and in combinations of portions and elements thereof. Applicants reserve the right to amend the present application and/or to file one or more divisional applications to specifically claim any such arrangements. Applicant disclaims any reflections shown on the surfaces of the headset.

1 Claim, 4 Drawing Sheets



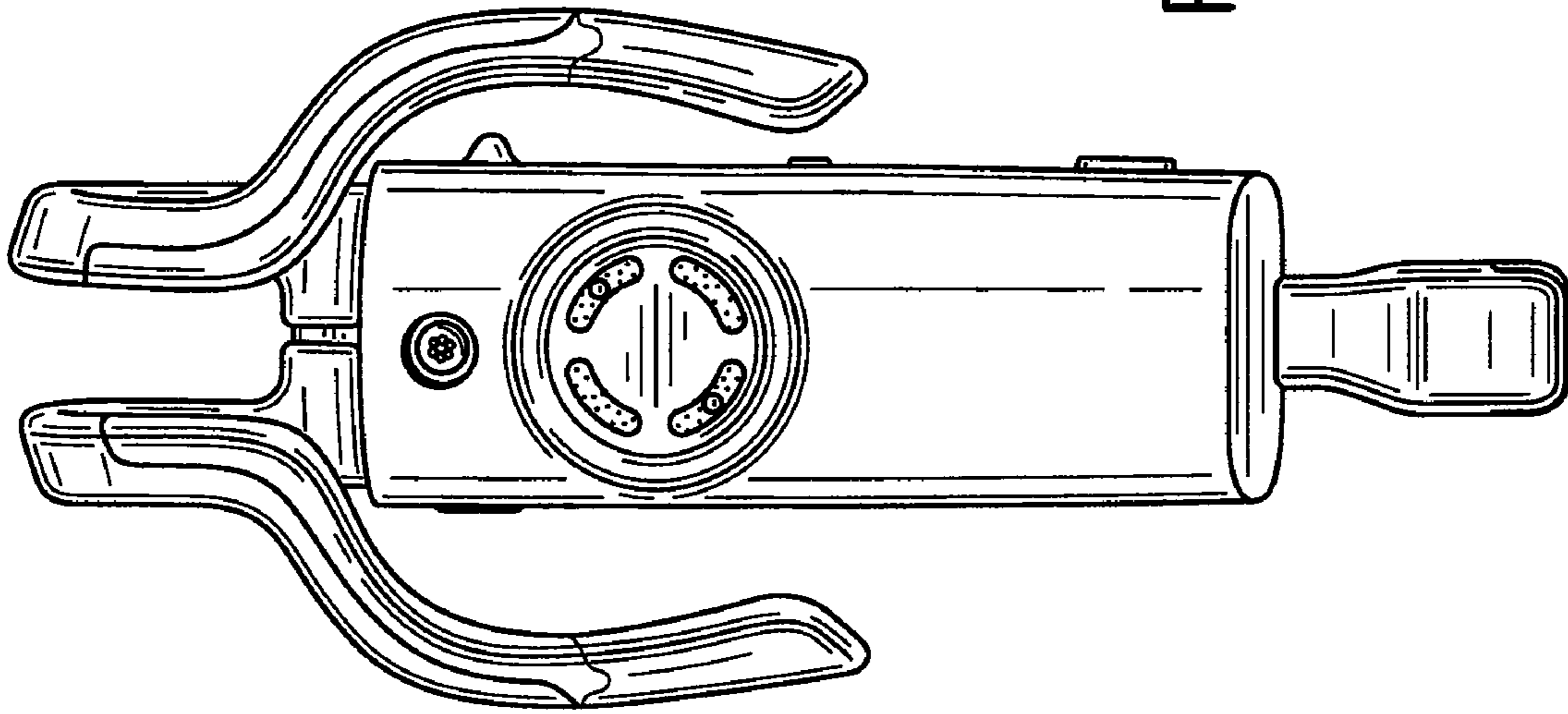


FIG. 2

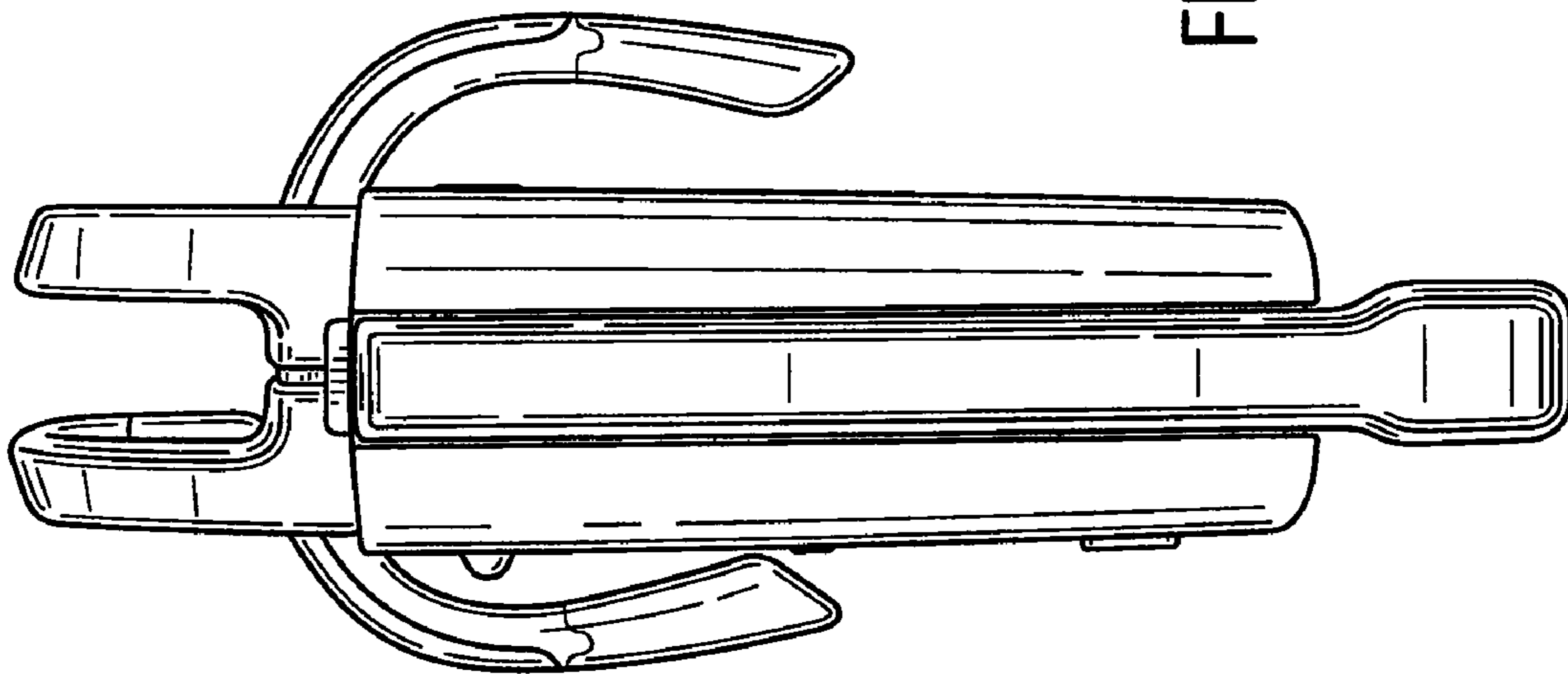


FIG. 1

FIG. 4

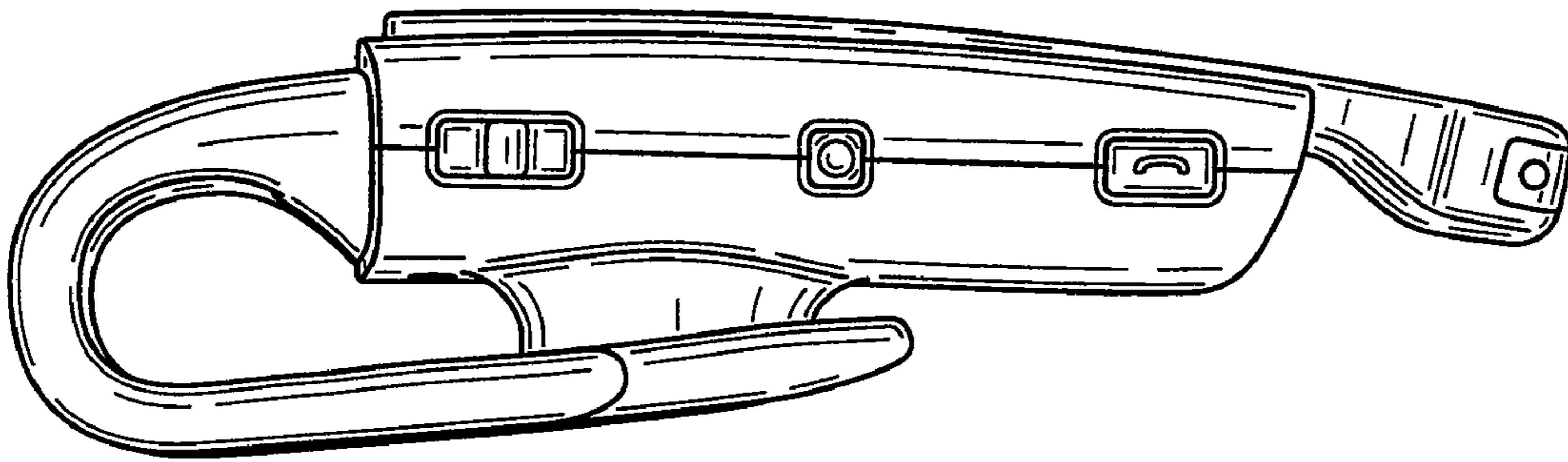
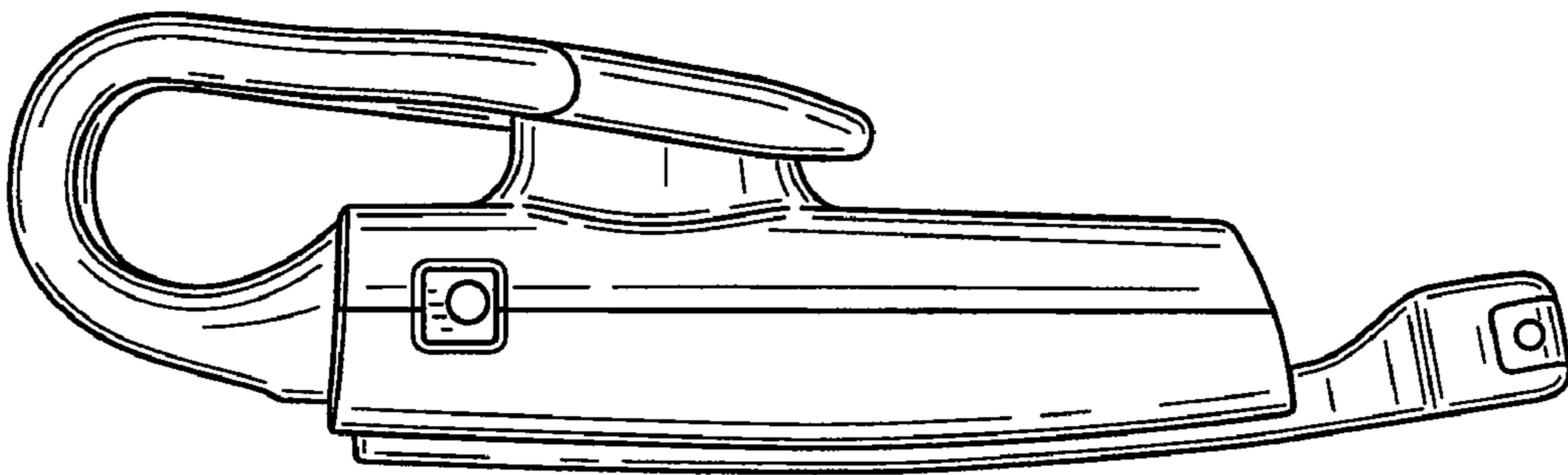


FIG. 3



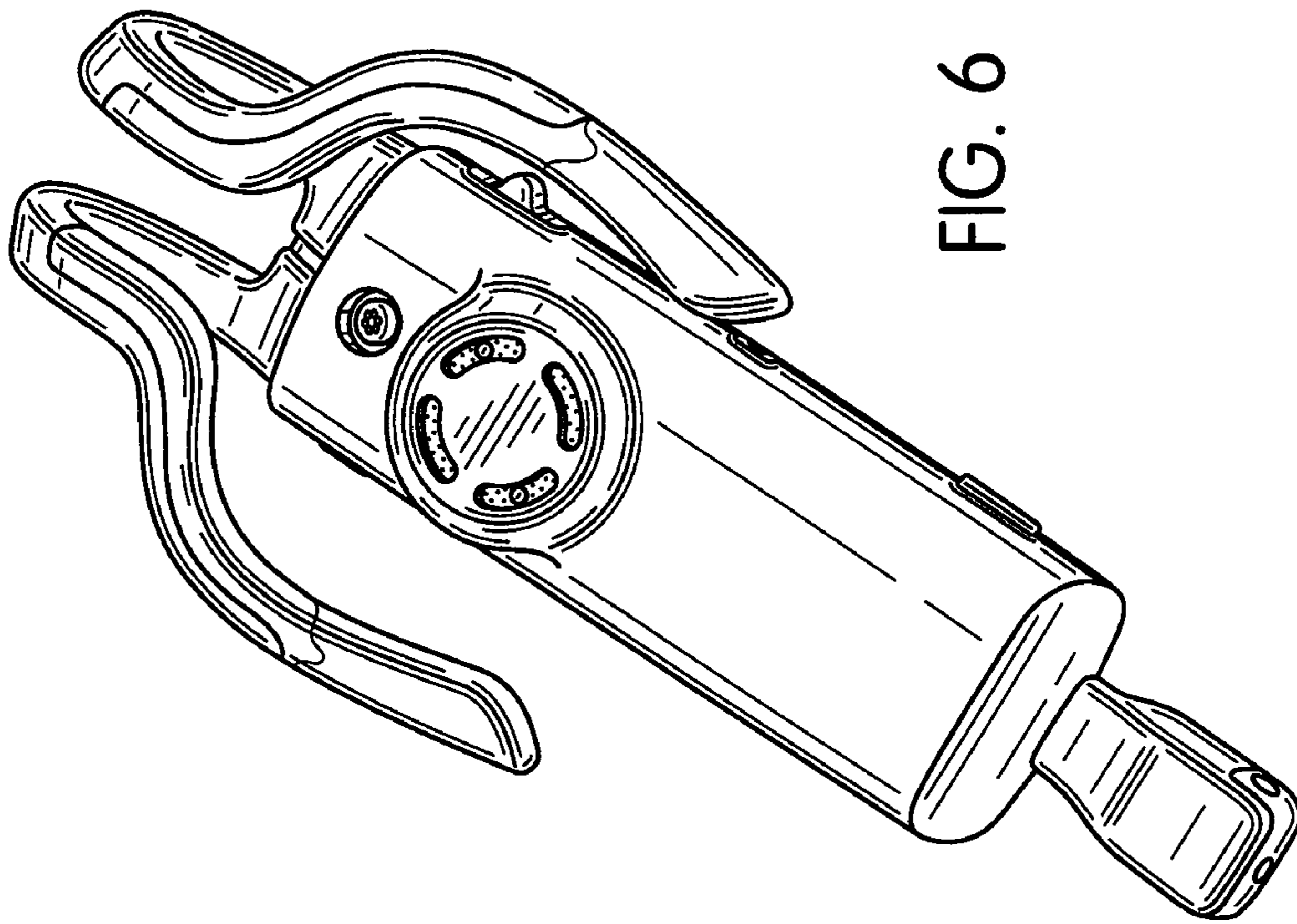


FIG. 6

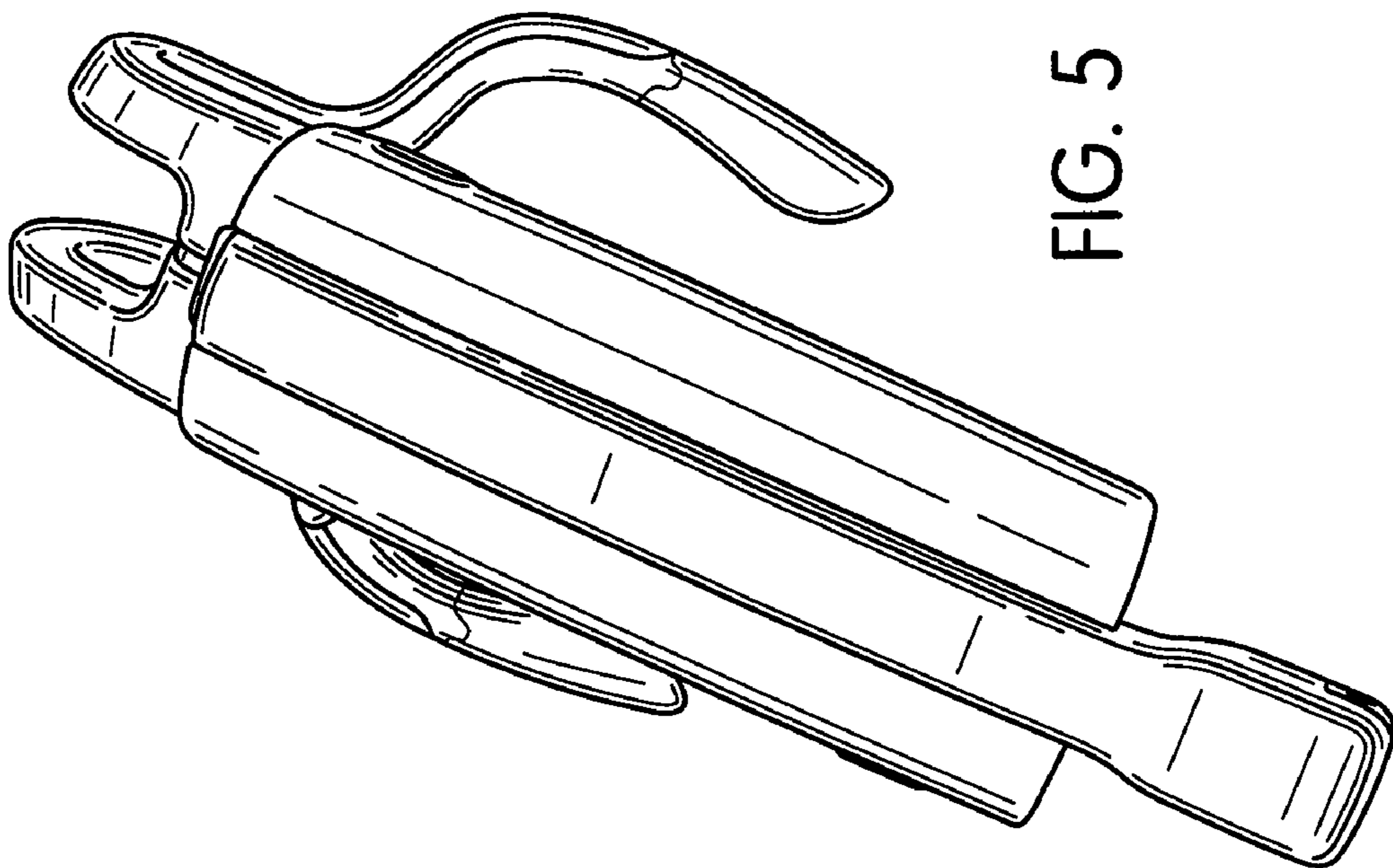


FIG. 5

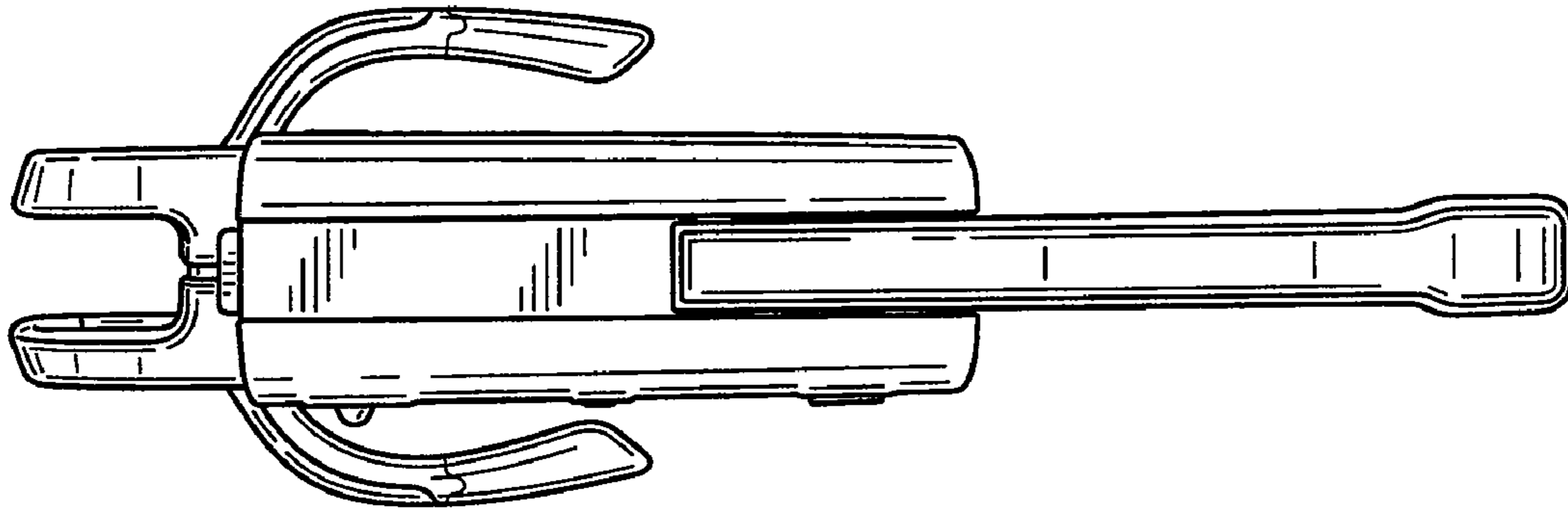


FIG. 8

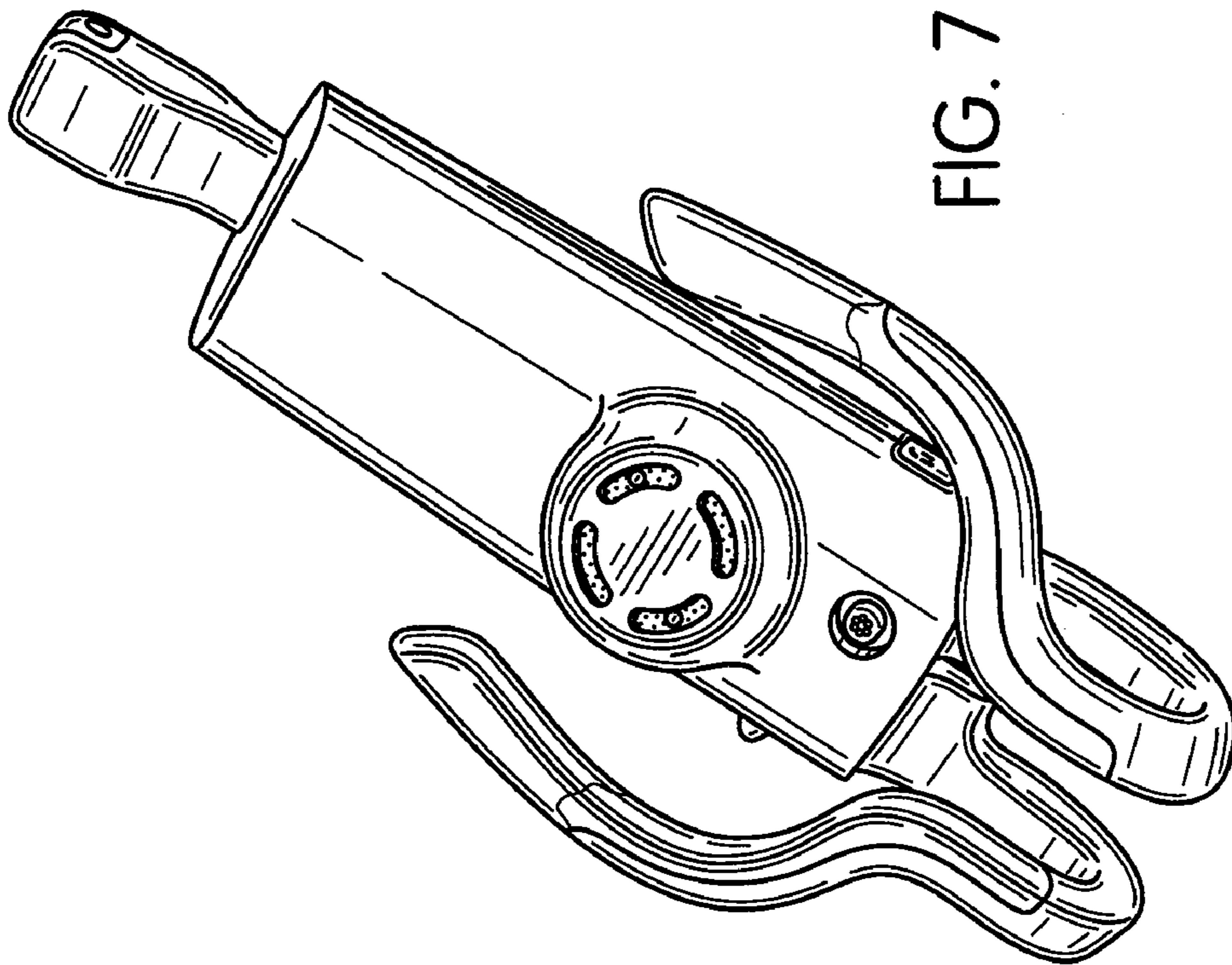


FIG. 7