



US00D552601S

(12) **United States Design Patent**  
**Oota**

(10) **Patent No.:** **US D552,601 S**  
(45) **Date of Patent:** **\*\* Oct. 9, 2007**

(54) **REMOTE CONTROLLER FOR OPTICAL DISC PLAYER**

D532,777 S \* 11/2006 Yu et al. .... D14/218

**FOREIGN PATENT DOCUMENTS**

(75) Inventor: **Kiyoshi Oota**, Tokyo (JP)  
(73) Assignee: **Sony Corporation**, Tokyo (JP)  
(\*\*) Term: **14 Years**  
(21) Appl. No.: **29/267,794**  
(22) Filed: **Oct. 23, 2006**

JP	D1221066 S	10/2004
JP	D1249137 S	8/2005
JP	D1265149 S	3/2006
JP	D1265962 S	3/2006
JP	D1265990 S	3/2006
JP	D1266353 S	3/2006
JP	D1266437 S	3/2006
JP	D1266568 S	3/2006

\* cited by examiner

(30) **Foreign Application Priority Data**

May 23, 2006 (JP) ..... D2006-012921

*Primary Examiner*—Louis S. Zarfaz  
*Assistant Examiner*—John Windmuller  
(74) *Attorney, Agent, or Firm*—Rader, Fishman & Grauer PLLC

(51) **LOC (8) Cl.** ..... **14-03**  
(52) **U.S. Cl.** ..... **D14/218**  
(58) **Field of Classification Search** ..... D14/174,  
D14/137–139, 151, 217, 218, 191–193, 167,  
D14/299, 168, 247, 455, 456; D13/168,  
D13/162–164; D21/512–517, 566; D10/104,  
D10/106; 345/169; 348/114, 734; 455/352–355,  
455/151.1–151.4, 128, 347, 90.3  
See application file for complete search history.

(57) **CLAIM**

The ornamental design for a remote controller for optical disc player, as shown and described.

(56) **References Cited**

**U.S. PATENT DOCUMENTS**

D415,115 S *	10/1999	Kawashima	.....	D13/168
D420,668 S *	2/2000	Choi	.....	D14/218
D448,365 S *	9/2001	Kerestegian et al.	.....	D14/240
D481,686 S *	11/2003	Legzdins	.....	D13/168
D493,449 S *	7/2004	Wang et al.	.....	D14/247
D498,748 S *	11/2004	Borsboom	.....	D14/218
D499,396 S *	12/2004	Lin	.....	D14/218
D517,532 S *	3/2006	Chen	.....	D14/218
D520,495 S *	5/2006	Dukerschein et al.	.....	D14/218

**DESCRIPTION**

FIG. 1 is a perspective view of a remote controller for optical disc player showing my new design;  
FIG. 2 is a front elevational view thereof;  
FIG. 3 is a left side elevational view thereof;  
FIG. 4 is a right side elevational view thereof;  
FIG. 5 is a top plan view thereof; and,  
FIG. 6 is a bottom plan view thereof.  
Portions of FIGS. 1–6 that are shown as broken lines are for illustrative purpose only and form no part of the claimed design.

**1 Claim, 6 Drawing Sheets**

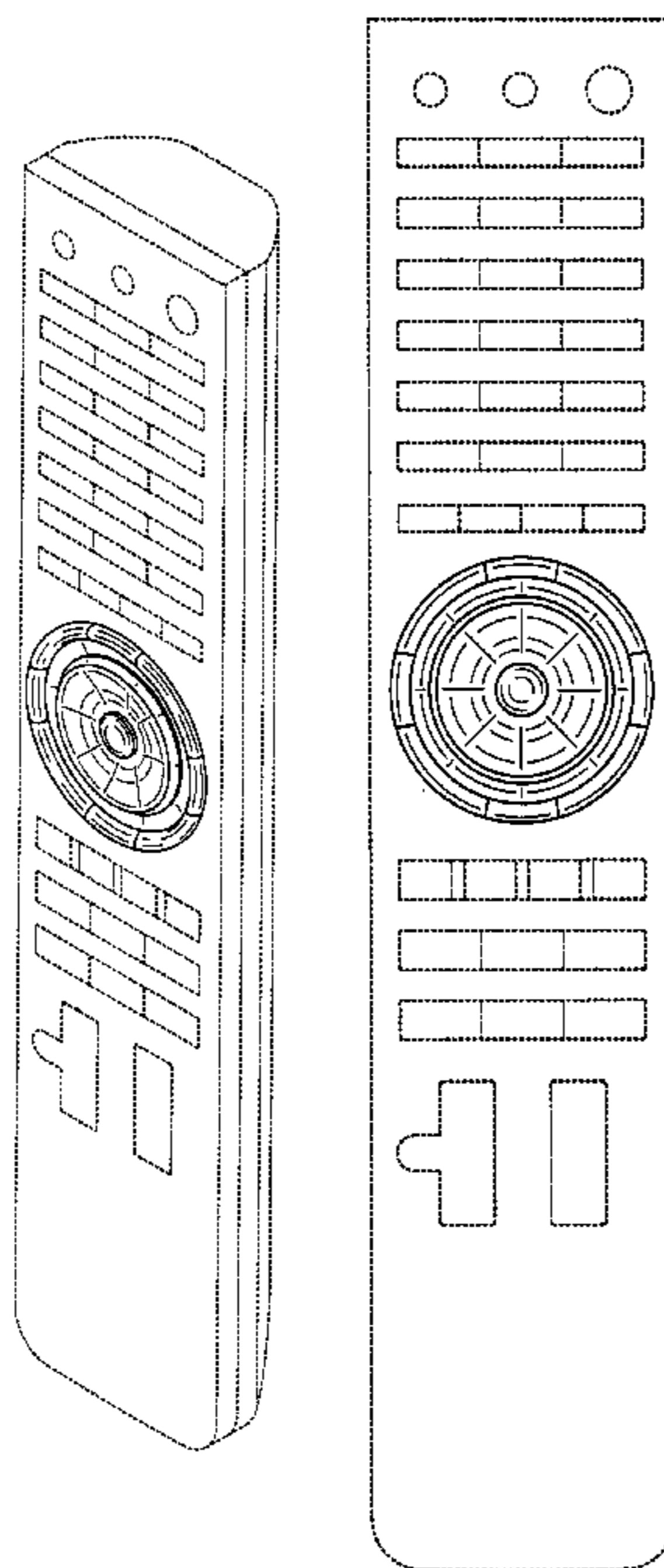


Fig. 1

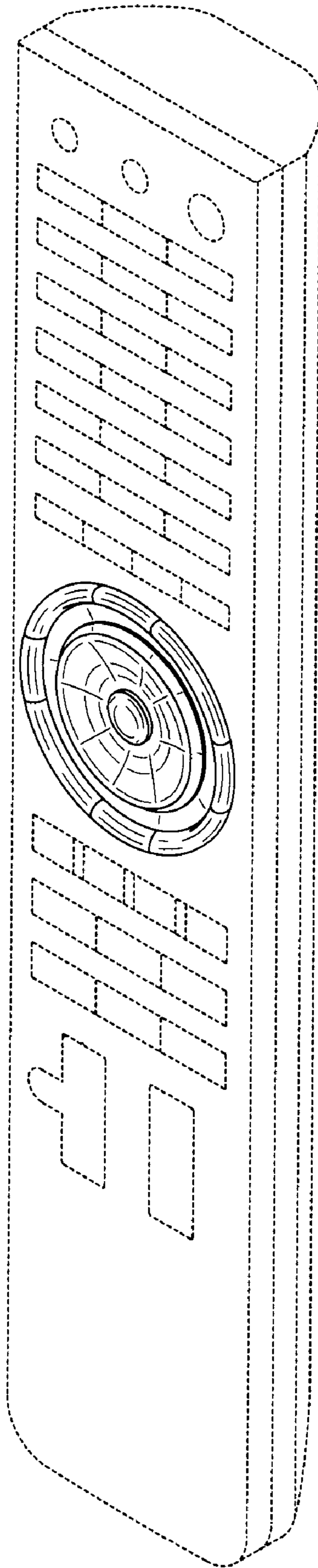


Fig.2

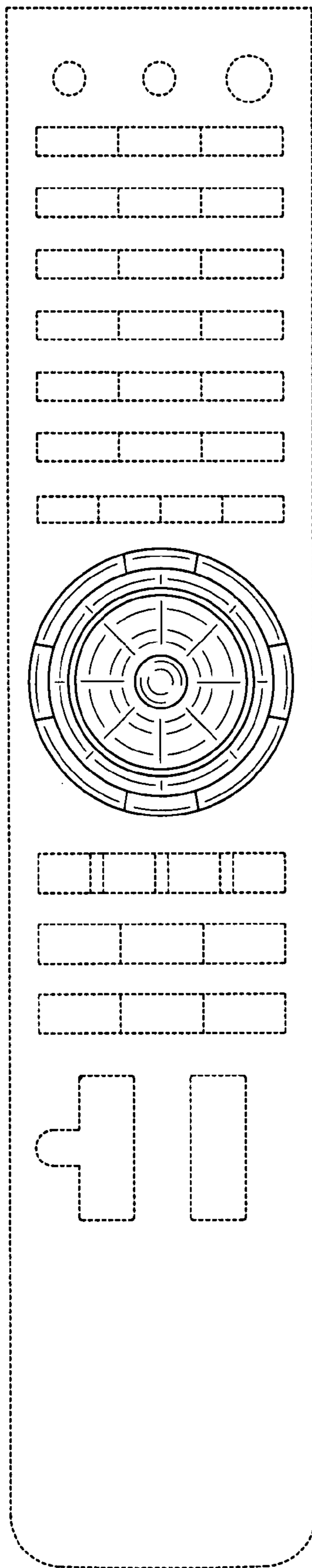


Fig.3

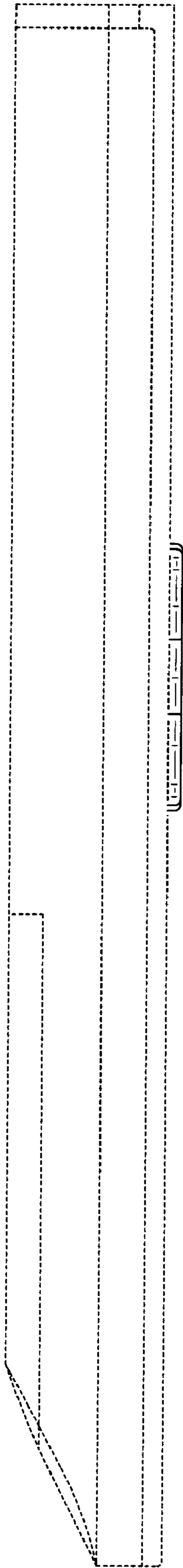


Fig.4

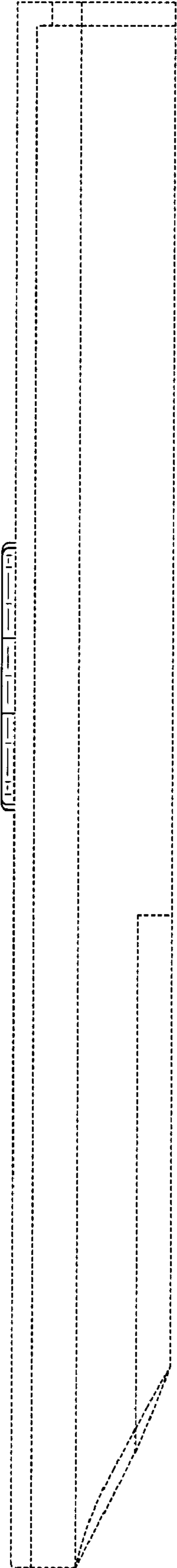


Fig.5

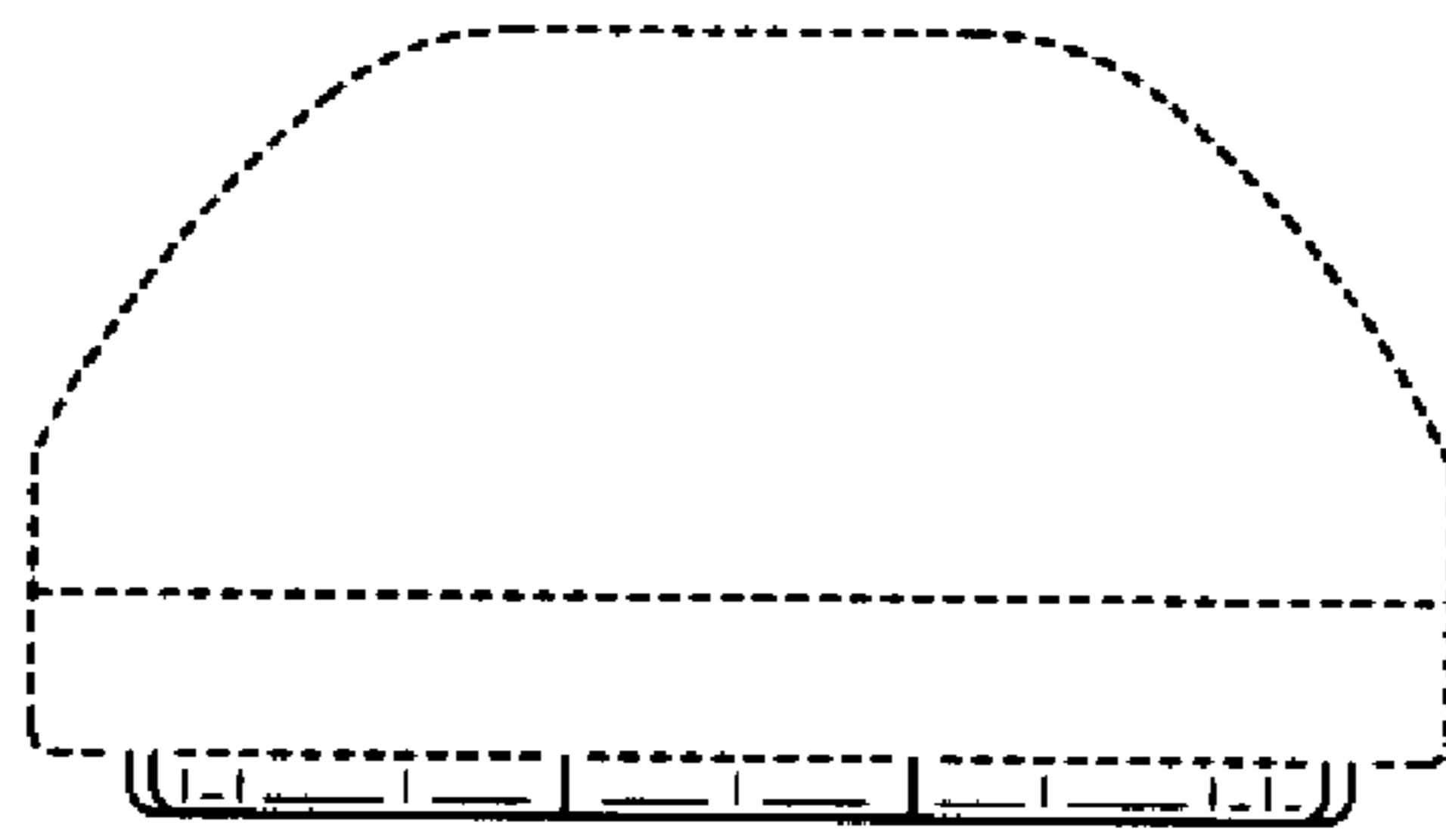


Fig.6

