



US00D552598S

(12) **United States Design Patent**
Bart

(10) **Patent No.:** **US D552,598 S**

(45) **Date of Patent:** **** Oct. 9, 2007**

(54) **COMBINED UNIVERSAL DOCKING STATION AND BATTERY PACK FOR A DIGITAL MUSIC AND MEDIA PLAYER**

(75) Inventor: **Gary Bart**, Miramar, FL (US)

(73) Assignee: **Xtreme Accessories, LLC**, Weston, FL (US)

(**) Term: **14 Years**

(21) Appl. No.: **29/251,647**

(22) Filed: **Jan. 10, 2006**

(51) **LOC (8) Cl.** **14-02**

(52) **U.S. Cl.** **D14/217**

(58) **Field of Classification Search** D14/142, D14/149, 217, 251, 253, 432, 434, 435, 447, D14/496; D13/107, 108, 118; 248/221.11, 248/309.1; 320/107, 110, 113–115; 361/600, 361/679, 683, 686; 439/529, 534; 455/556.1, 455/556.2, 557

See application file for complete search history.

(56) **References Cited**

U.S. PATENT DOCUMENTS

D322,438 S *	12/1991	Skowronski	D14/151
D328,277 S *	7/1992	Leman et al.	D13/108
D397,966 S *	9/1998	Chang	D12/123
5,952,814 A *	9/1999	Van Lerberghe	320/108
D445,399 S *	7/2001	Kolinen	D13/107
D495,336 S *	8/2004	Andre et al.	D14/434
D532,005 S *	11/2006	Leith	D14/253

OTHER PUBLICATIONS

TechCrunch Network, <http://crunchgear.com/2006/09/27/dock-and-battery-for-ipod-in-one/>, Sep. 27, 2006, 1pg.*

iPort Wall Docking Station, www.iport.com.
iPort Freestanding Docking Station, www.iport.com.
Apple iPod with color display Dock, www.apple.com.
Apple iPod nano Dock, www.apple.com.
Apple iPod Universal Dock, www.apple.com.

* cited by examiner

Primary Examiner—Mitchell Siegel

Assistant Examiner—Keli L. Acker

(74) *Attorney, Agent, or Firm*—Blackwell Sanders LLP

(57) **CLAIM**

The ornamental design for a combined universal docking station and battery pack for a digital music and media player, as shown and described.

DESCRIPTION

FIG. 1 is a front perspective view of a combined universal docking station and battery pack for a digital music and media player showing my new design, in connection with a digital music player;

FIG. 2 is a front perspective view thereof;

FIG. 3 is a top plan view thereof;

FIG. 4 is a bottom plan view thereof;

FIG. 5 is a left side elevational view thereof;

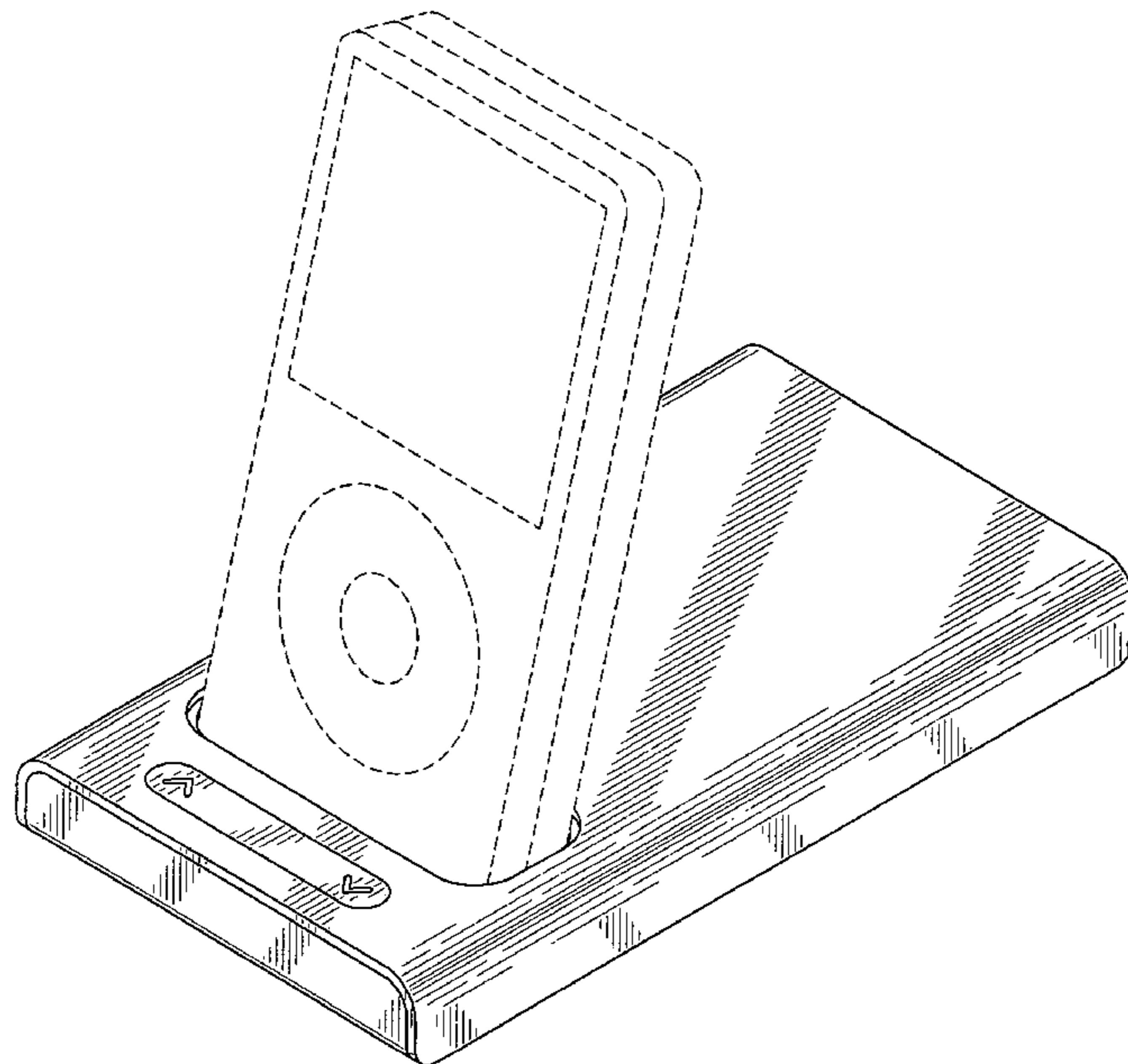
FIG. 6 is a right side elevational view thereof;

FIG. 7 is an end elevational view thereof; and,

FIG. 8 is an opposite end elevational view thereof.

The broken line showing of the digital music player is included for the purpose of illustrating environmental structure and forms no part of the claimed design.

1 Claim, 6 Drawing Sheets



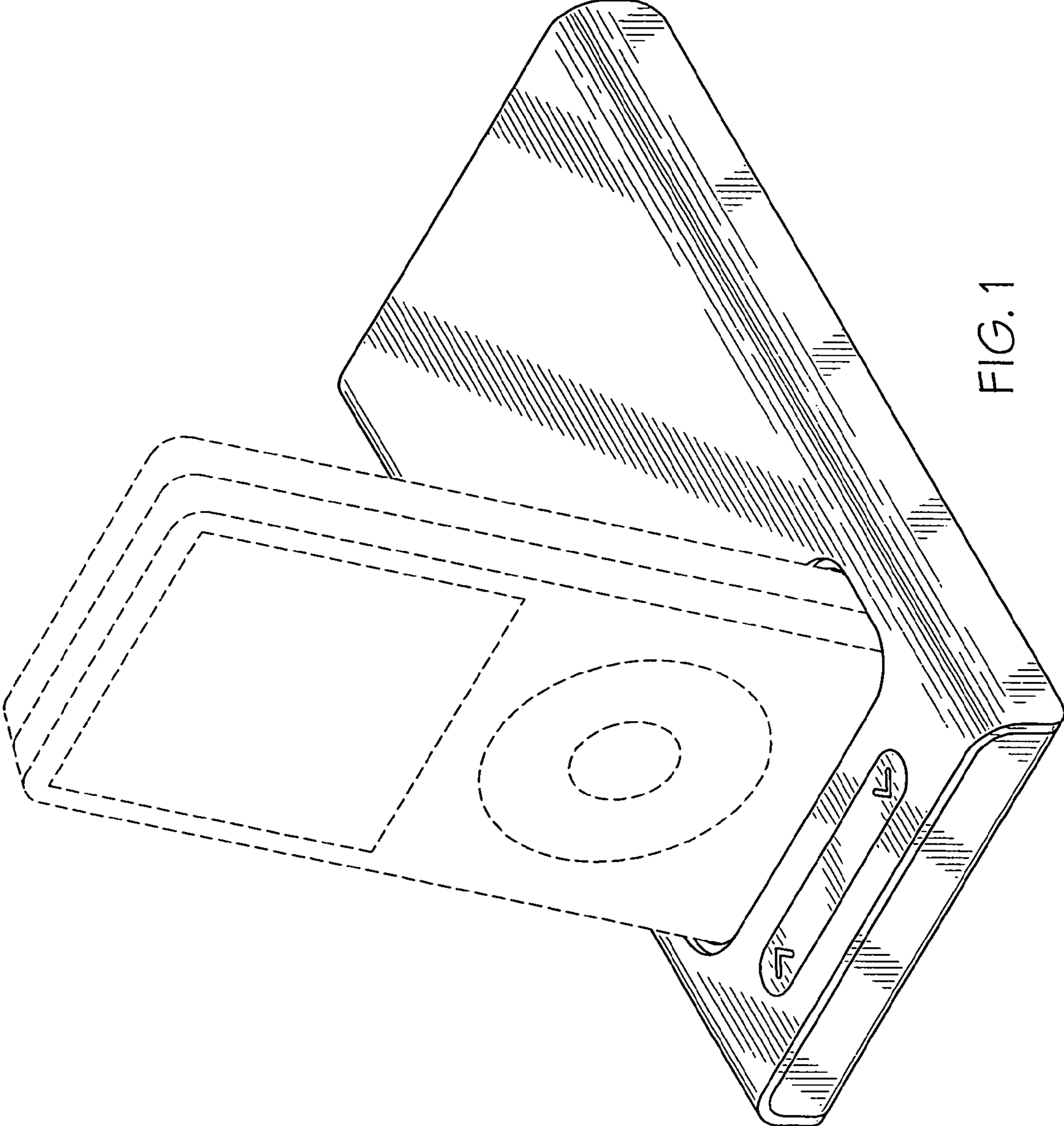


FIG. 1

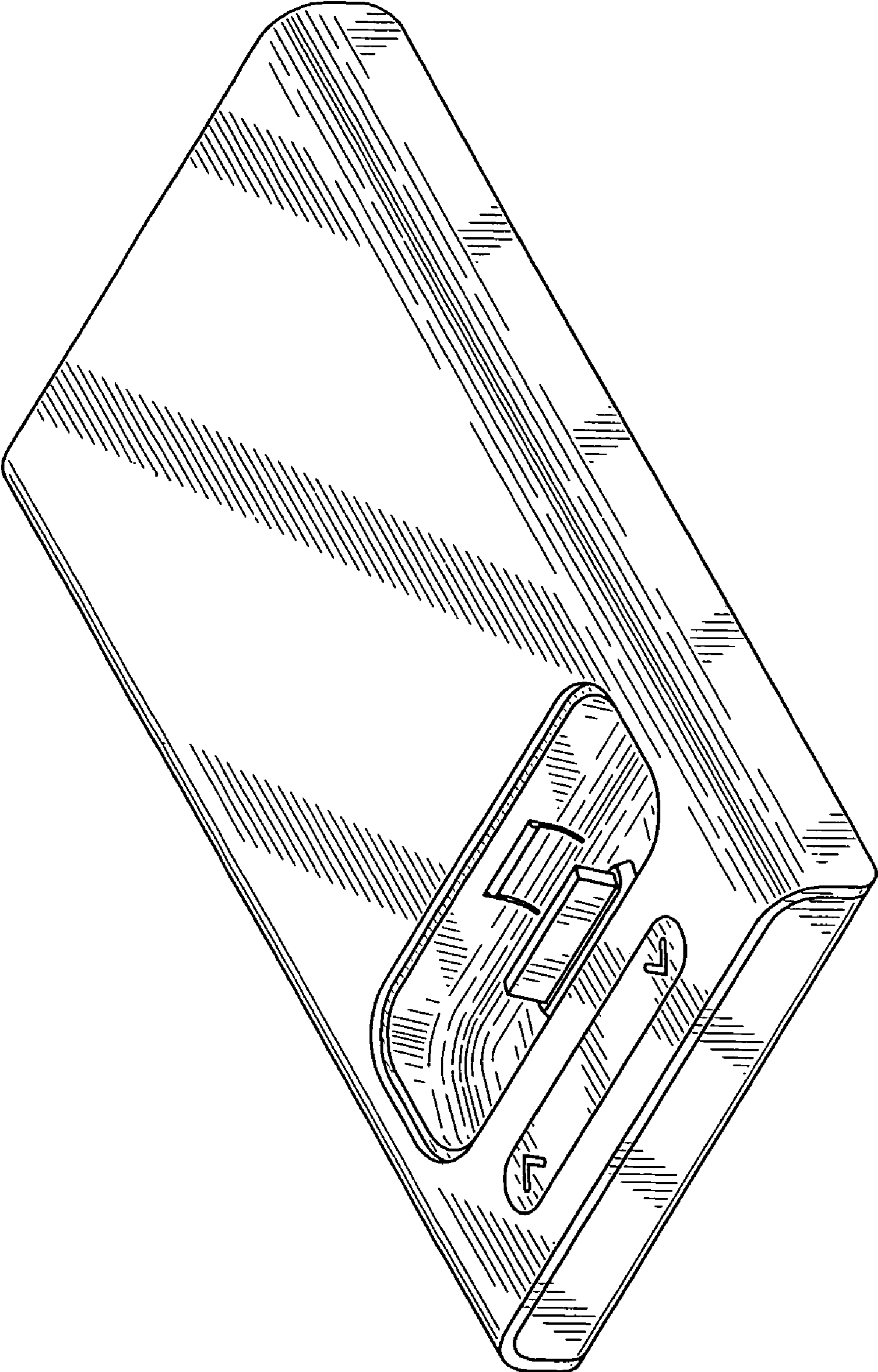


FIG. 2

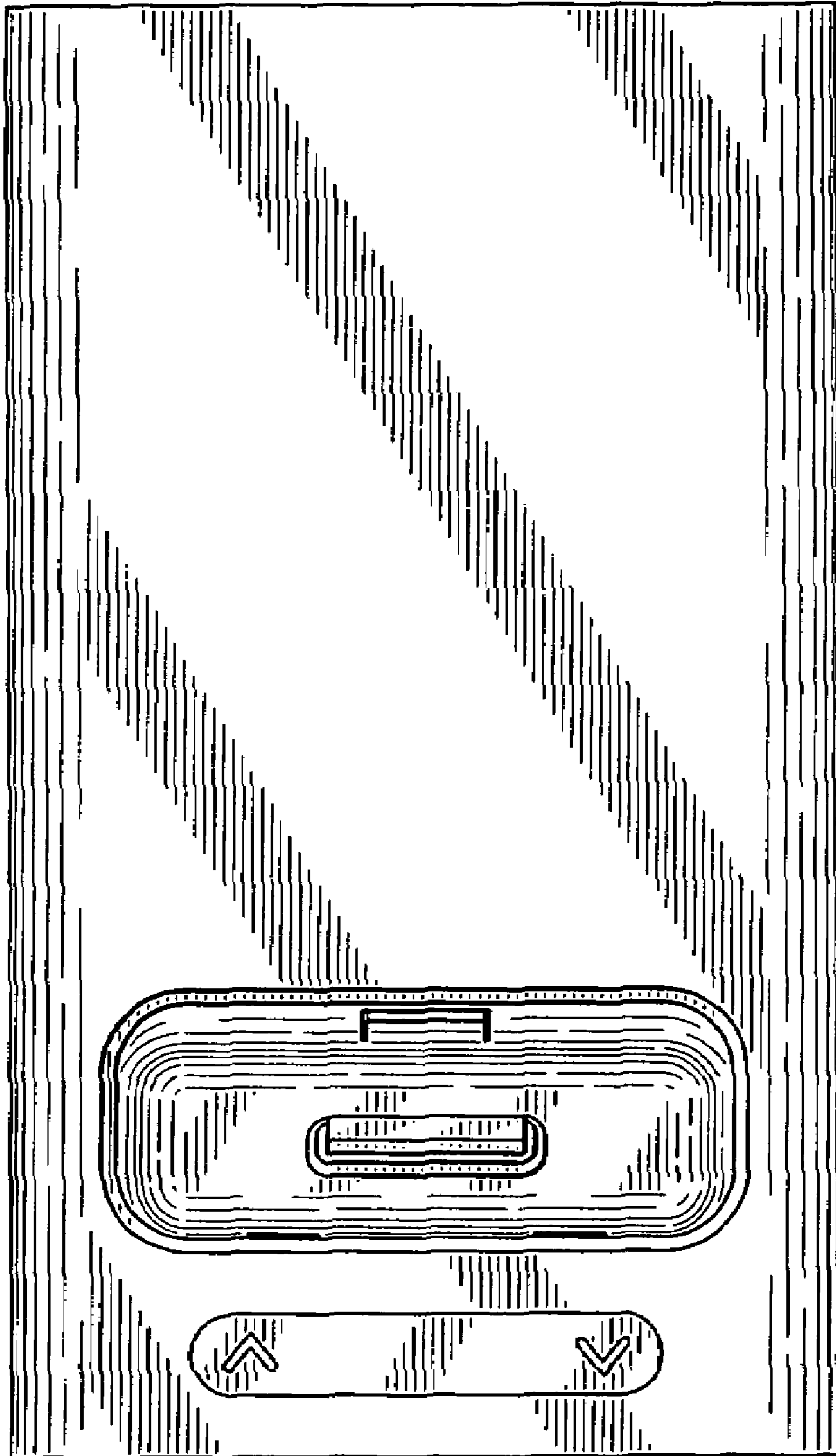


FIG. 3

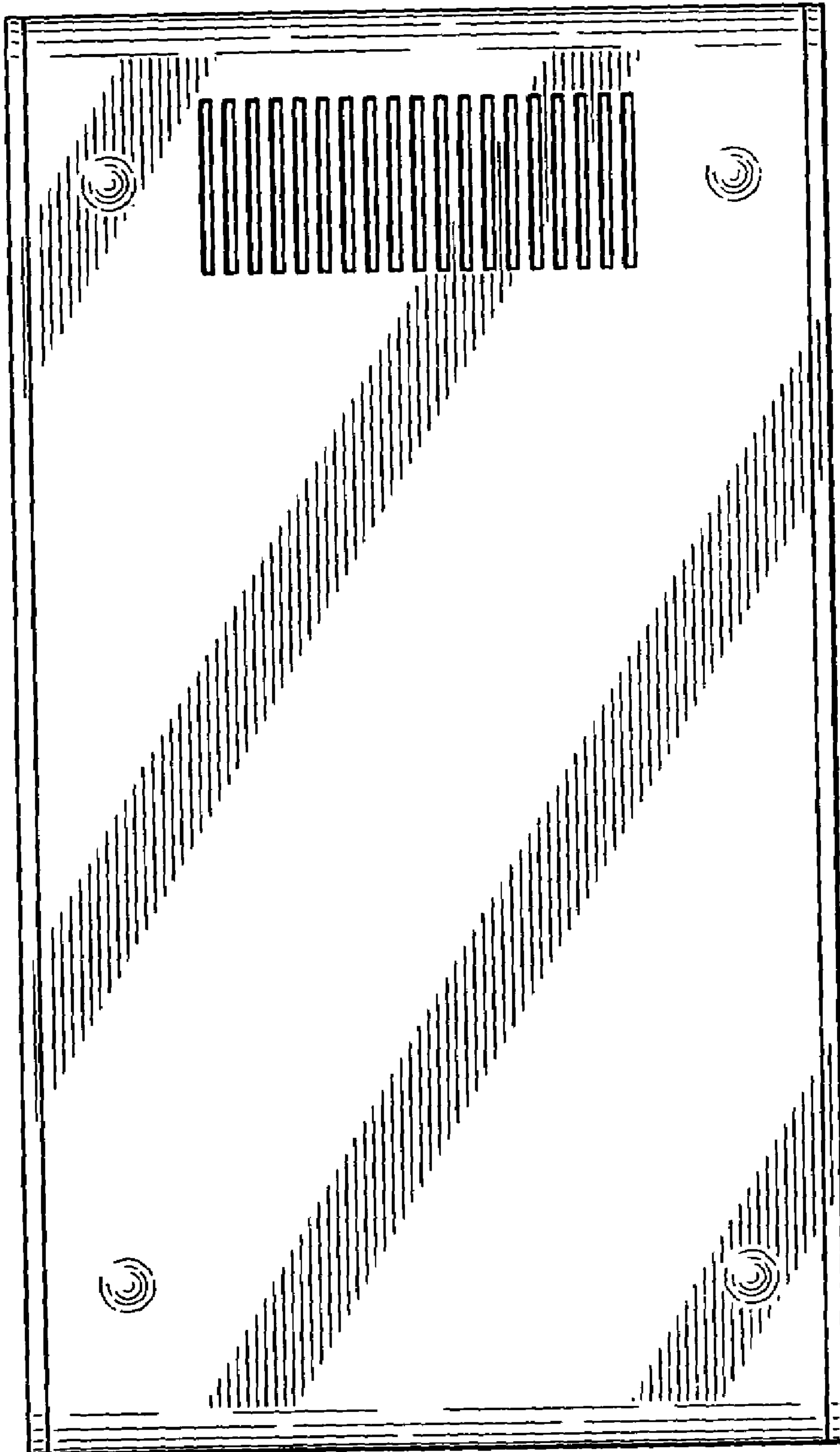


FIG. 4

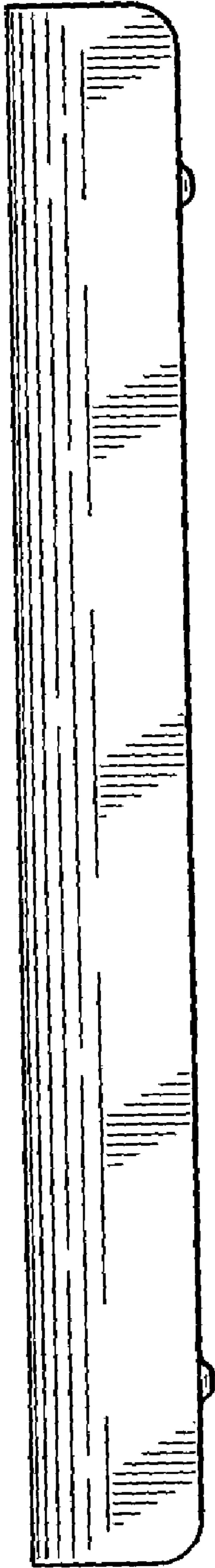


FIG. 5

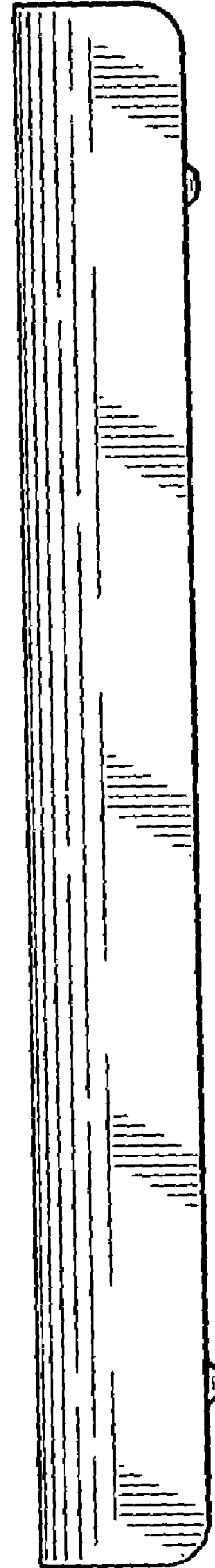


FIG. 6



FIG. 7

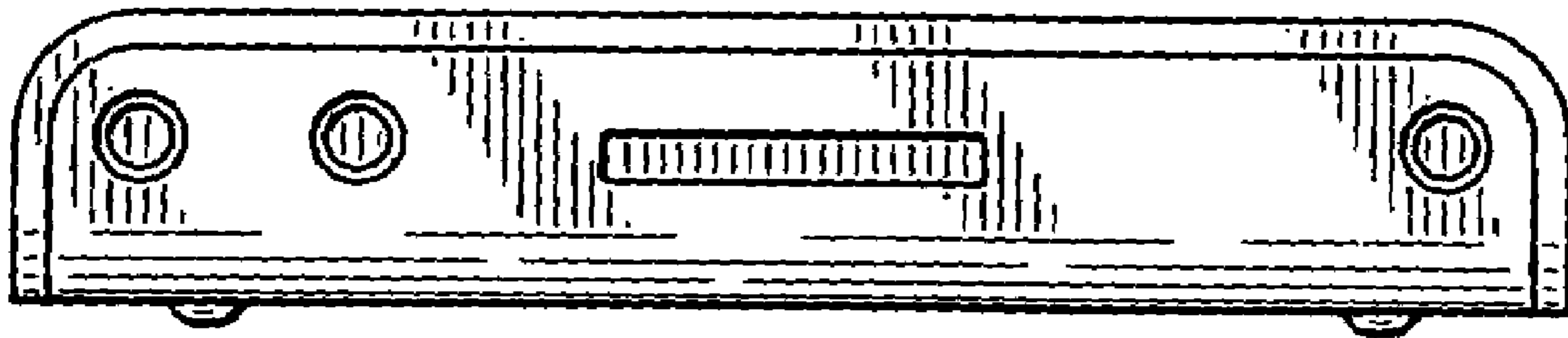


FIG. 8