



US00D552597S

(12) **United States Design Patent**
Solland

(10) **Patent No.:** **US D552,597 S**
(45) **Date of Patent:** **** Oct. 9, 2007**

(54) **PORTION OF AN AUDIO AND DOCKING STATION FOR HANDHELD ELECTRONIC DEVICE**

(75) Inventor: **Kurt Solland**, Westlake Village, CA (US)

(73) Assignee: **Harman International Industries, Incorporated**, Northridge, CA (US)

(**) Term: **14 Years**

(21) Appl. No.: **29/249,984**

(22) Filed: **Oct. 30, 2006**

Related U.S. Application Data

(63) Continuation of application No. 29/254,998, filed on Mar. 3, 2006.

(51) **LOC (8) Cl.** **14-02**

(52) **U.S. Cl.** **D14/217**

(58) **Field of Classification Search** D14/142, D14/149, 217, 251, 253, 432, 434, 435, 447, D14/496; D13/107, 108, 118; 248/221.11, 248/309.1; 320/107, 110, 113–115; 361/600, 361/679, 683, 686; 439/529, 534; 455/556.1, 455/556.2, 557

See application file for complete search history.

(56) **References Cited**

U.S. PATENT DOCUMENTS

| | | | | |
|--------------|---------|----------------|-------|---------|
| D221,081 S * | 7/1971 | Kahn | | D13/110 |
| D426,533 S * | 6/2000 | Hughes et al. | | D14/149 |
| D433,994 S * | 11/2000 | Jobs et al. | | D13/110 |
| D508,458 S * | 8/2005 | Solland et al. | | D13/108 |
| D524,282 S * | 7/2006 | Beasley et al. | | D13/108 |
| D527,704 S * | 9/2006 | Rodarte | | D13/108 |

OTHER PUBLICATIONS

MP3 Accessories, <http://www.mp3reference.com/mp3access.htm>, "JBL On Stage", Dec. 31, 2005, 1 pg. (Date provided via: Internet

Archive—Wayback Machine, http://web.archive.org/web/*/http://www.mp3reference.com/mp3access.htm, Apr. 23, 2007, 1 pg.)*
2day Blog.com, <http://www.2dayblog.com/blog/2006/10/04/the-radius-audio-docking-station/>, Oct. 4, 2006, 1 pg.*

* cited by examiner

Primary Examiner—Stella M. Reid

Assistant Examiner—Keli' L. Acker

(74) *Attorney, Agent, or Firm*—Plumsea Law Group, LLC

(57) **CLAIM**

The ornamental design for a portion of an audio and docking station for handheld electronic device, as shown and described.

DESCRIPTION

FIG. 1 is a perspective view of a portion of an audio and docking station for handheld electronic device showing my new design;

FIG. 2 is a side elevational view of one side, the opposite side elevational view being a mirror image thereof;

FIG. 3 is a front elevational view thereof;

FIG. 4 is a top plan view thereof;

FIG. 5 is a perspective view illustrating the positioning of the handheld electronic device;

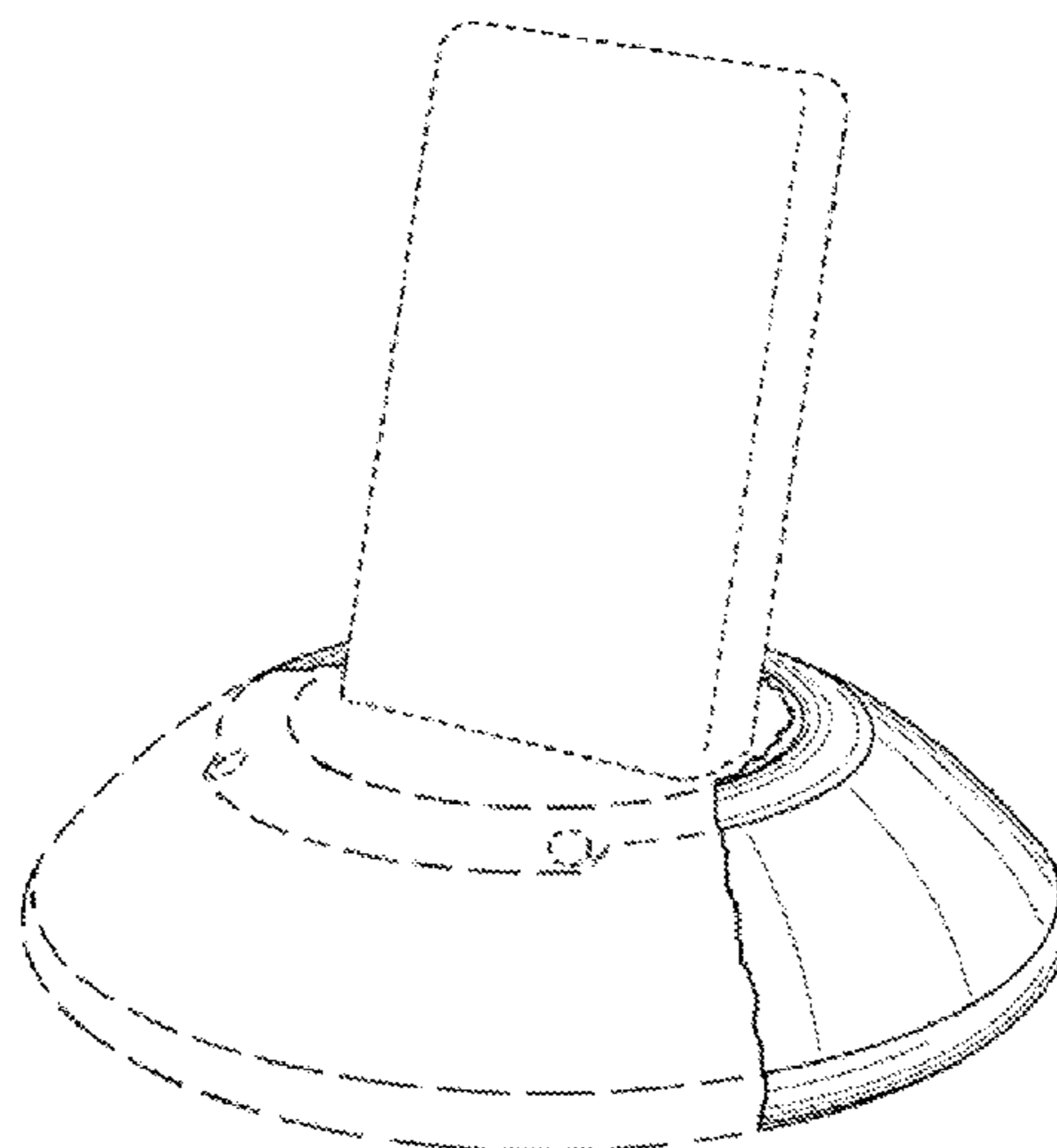
FIG. 6 is a side view illustrating the positioning of the handheld electronic device;

FIG. 7 is a front view illustrating the positioning of the handheld electronic device; and,

FIG. 8 is a top plan view illustrating the positioning of the handheld electronic device.

The heavy jagged line denotes a boundary of the claim and is not intended to form part of the design. The broken line showings of the lines and ports on the rear, as well as the handheld electronic device in FIGS. 5–8 are for illustrative purposes only and form no part of the claimed design.

1 Claim, 4 Drawing Sheets



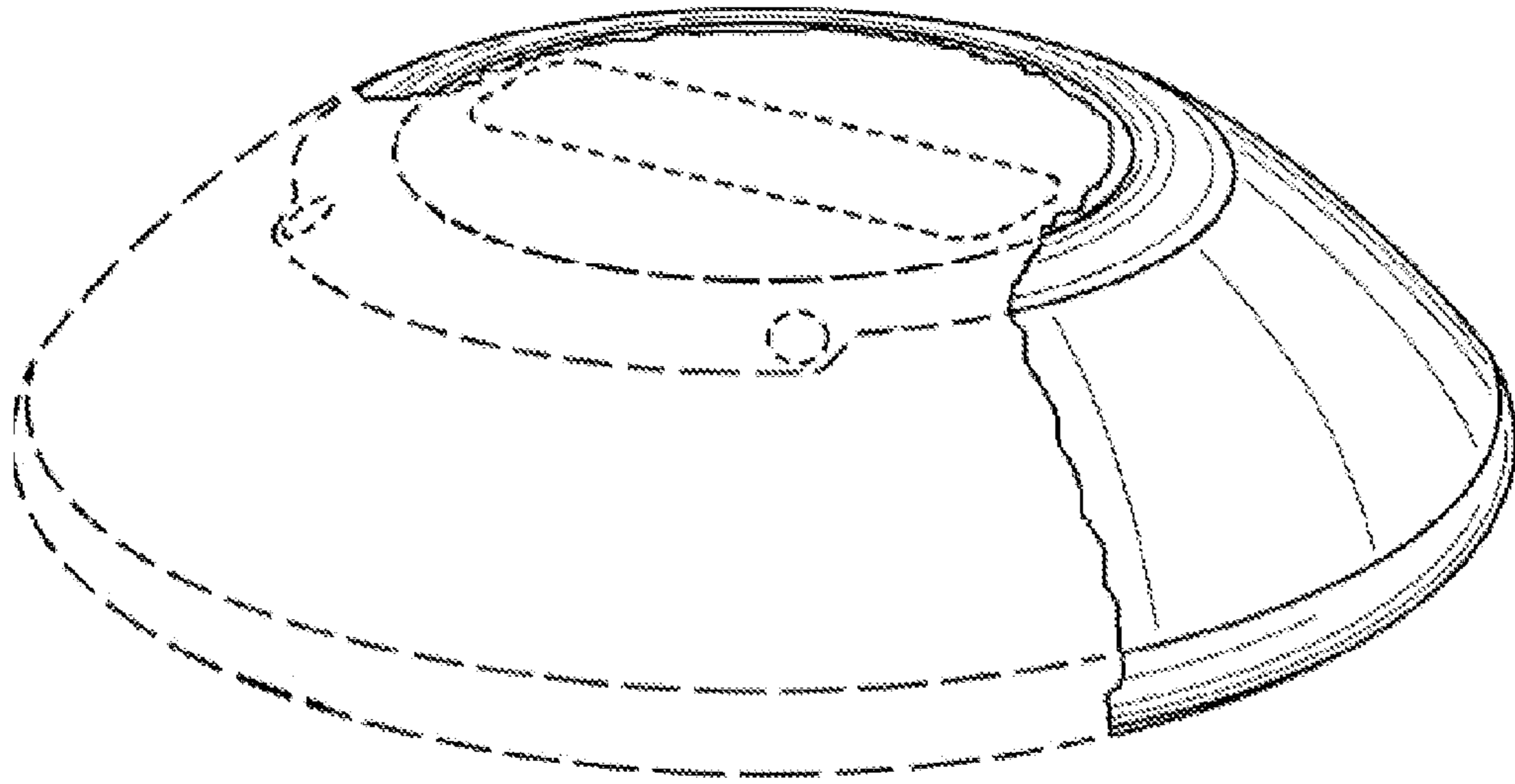


FIG. 1

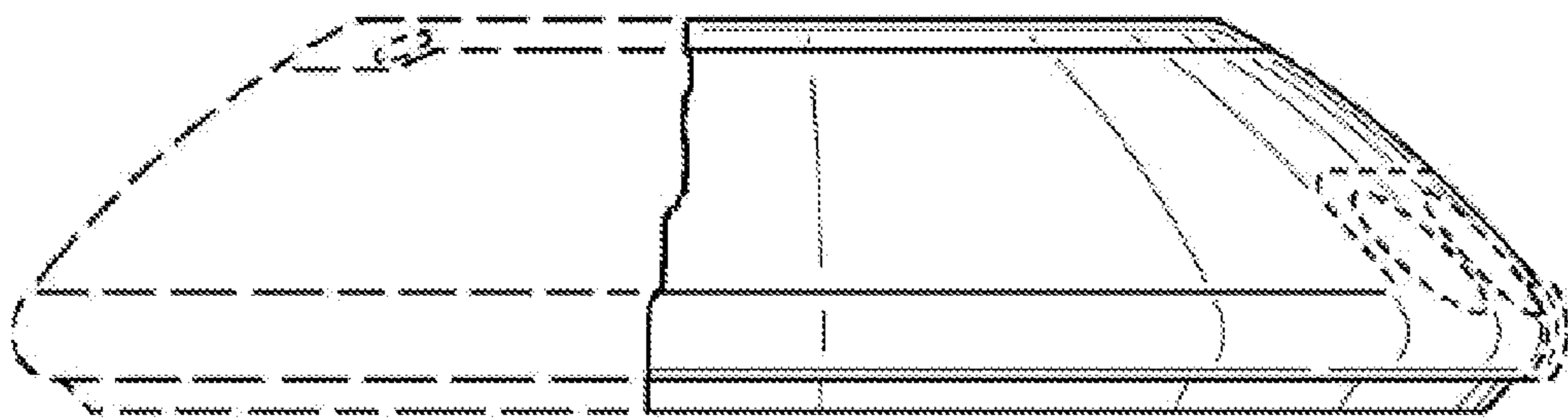


FIG. 2



FIG. 3

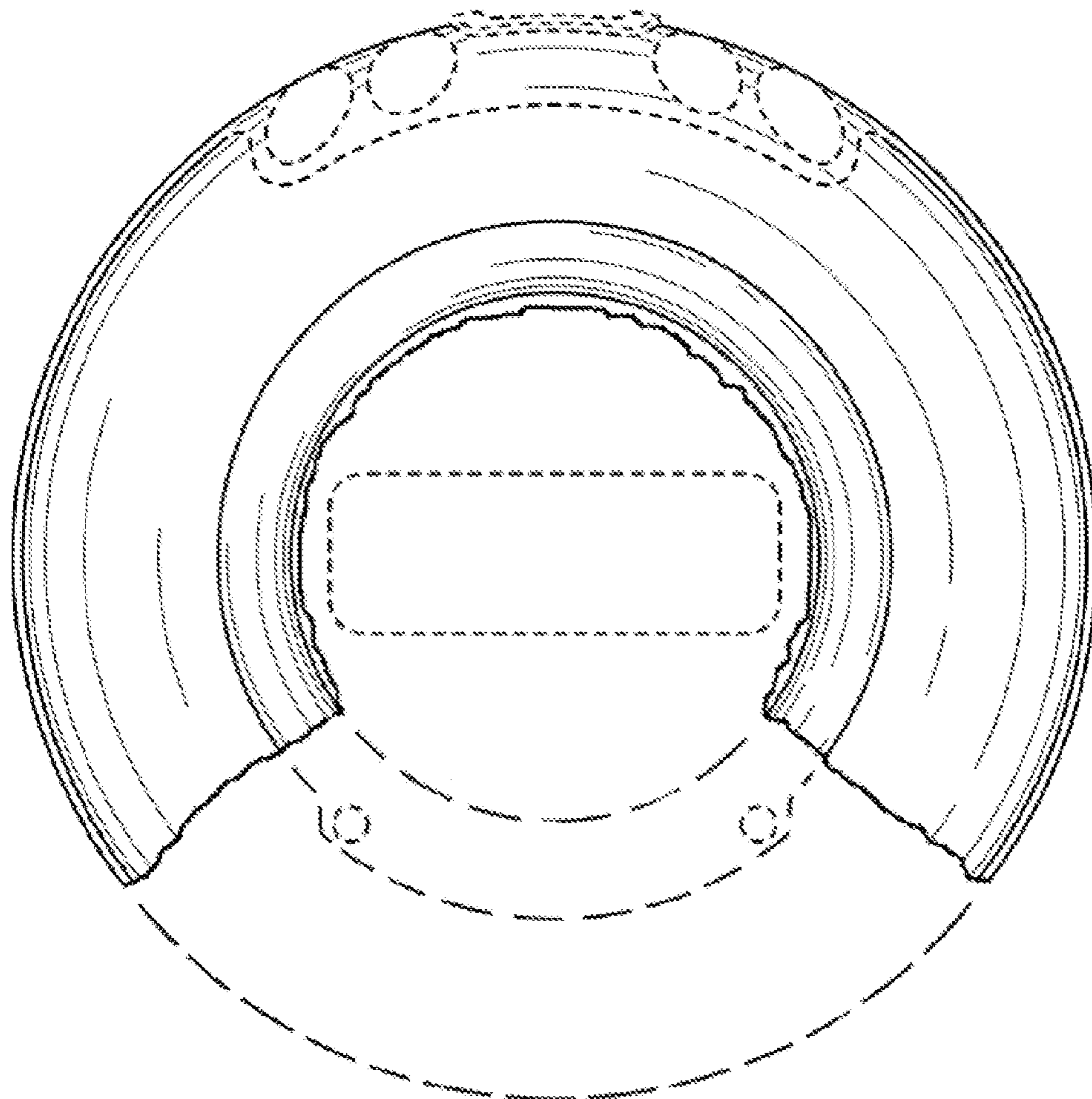


FIG. 4

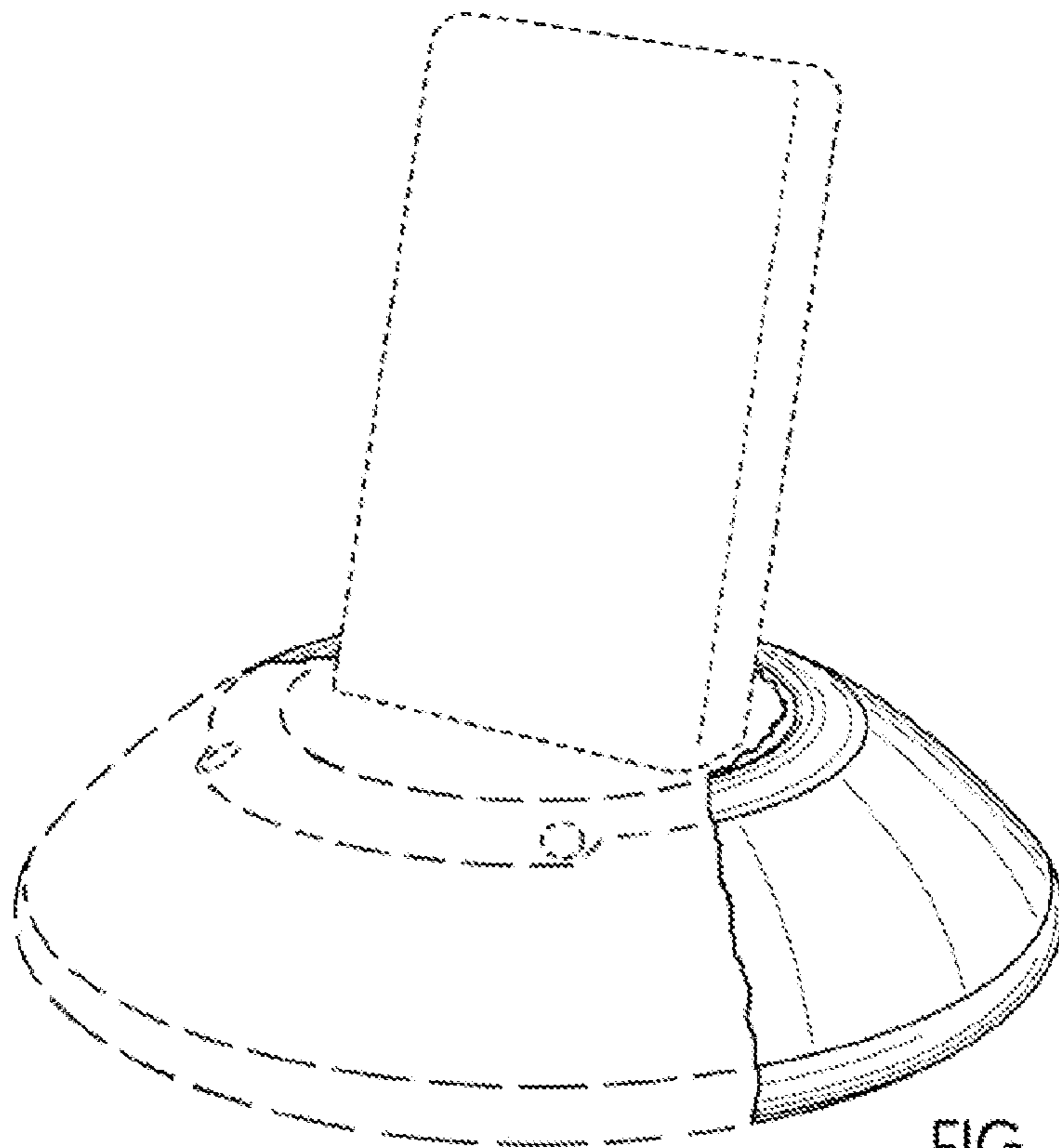


FIG. 5

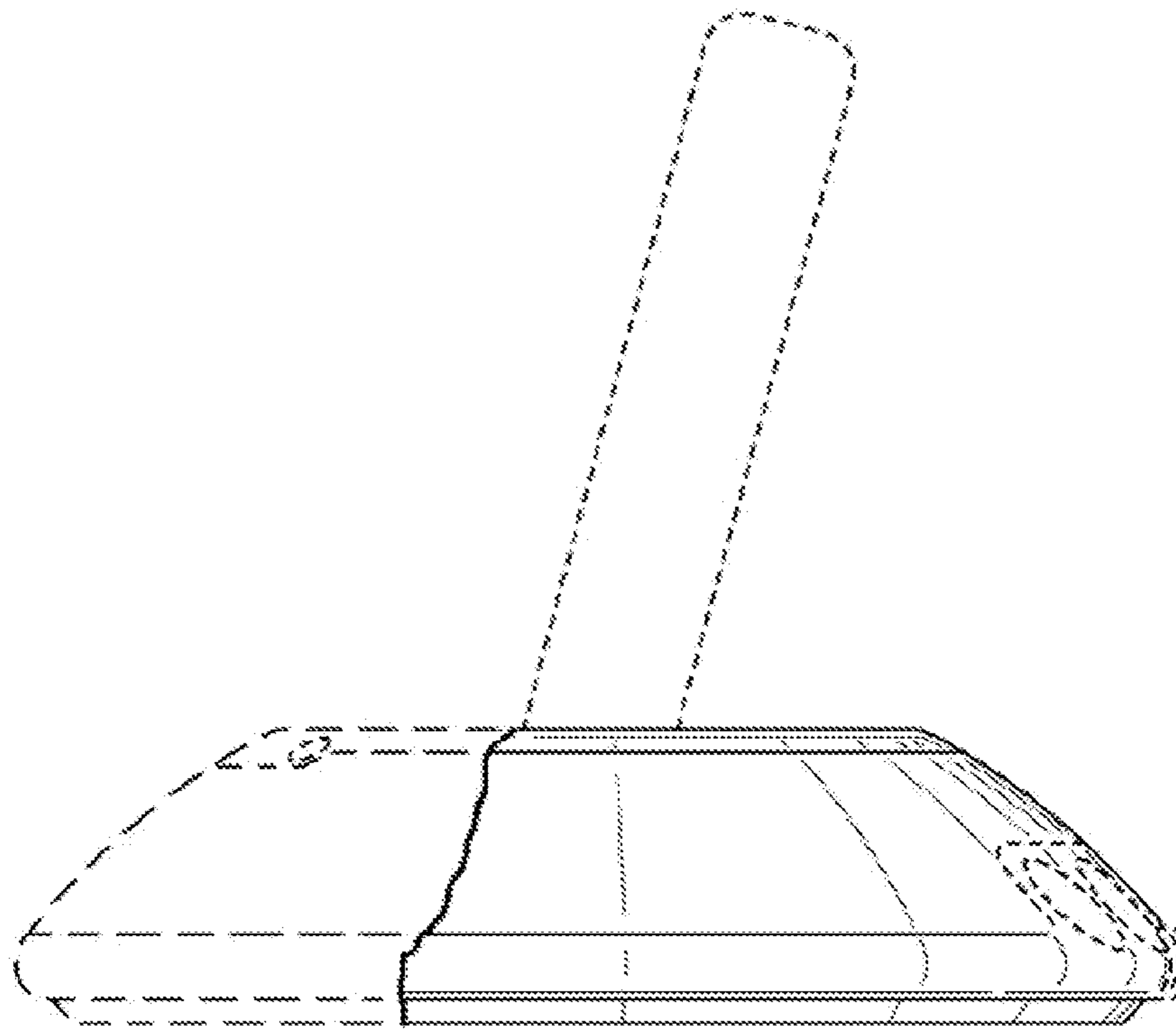


FIG. 6

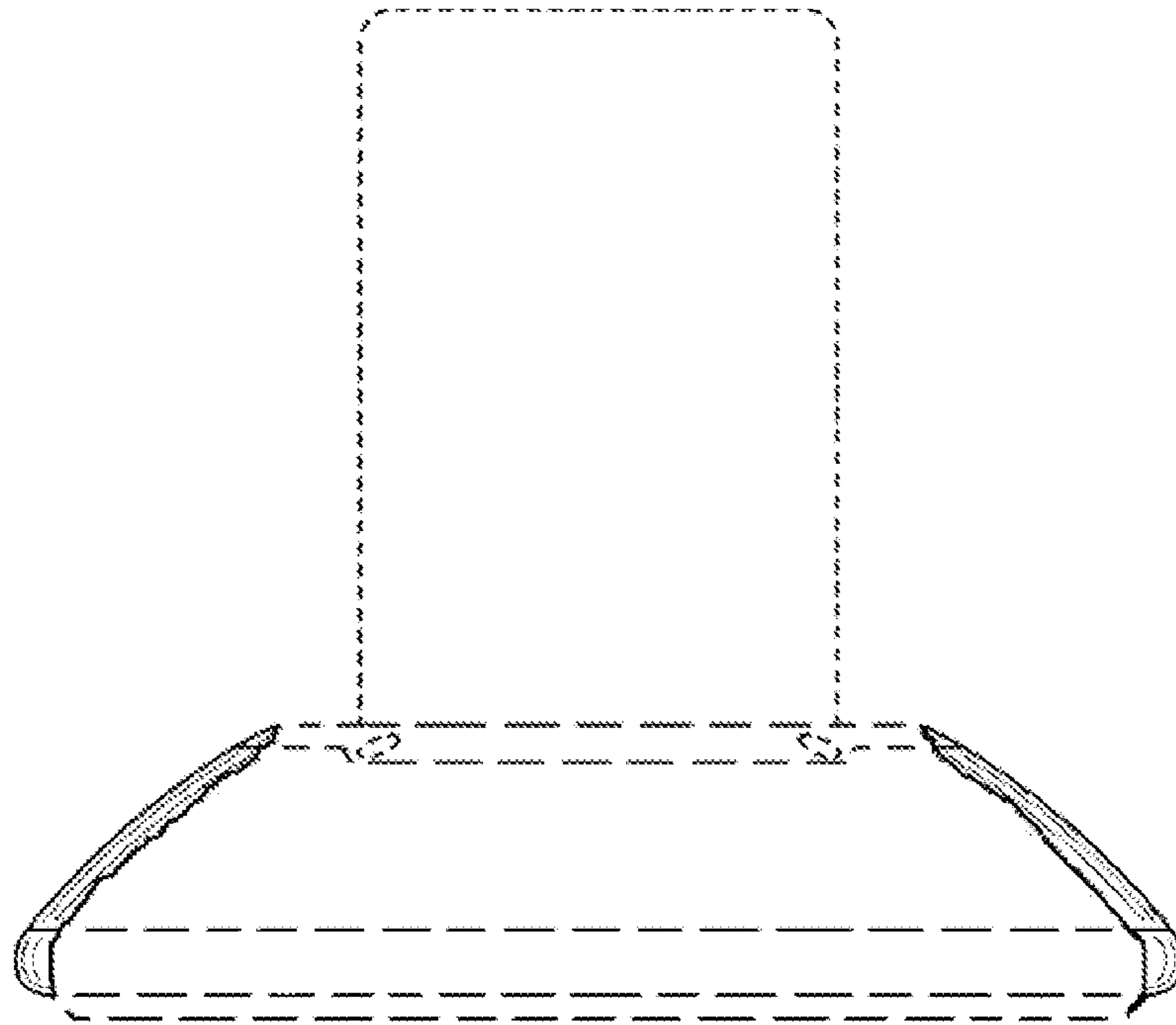


FIG. 7

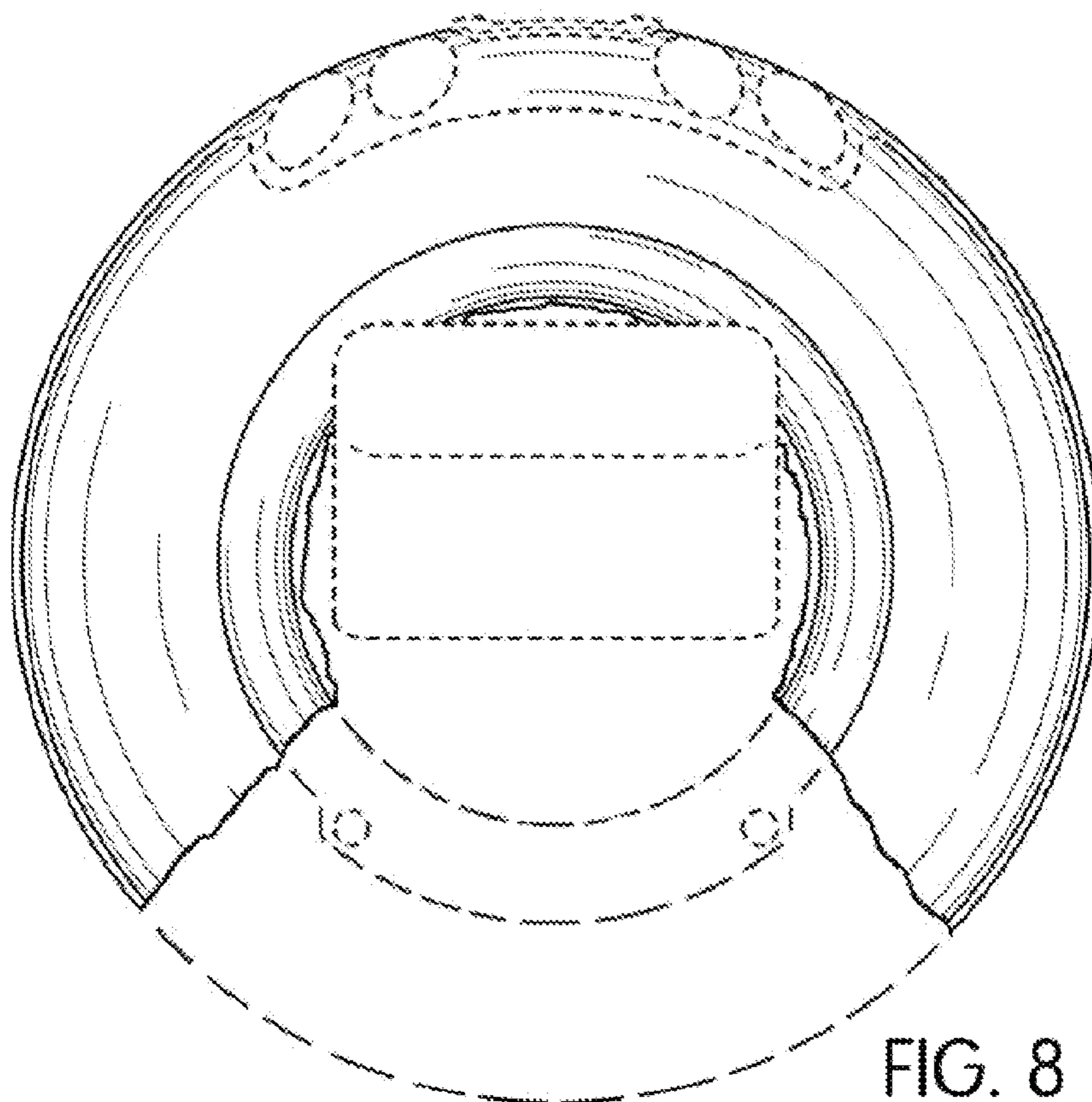


FIG. 8