



US00D552595S

(12) **United States Design Patent** (10) **Patent No.:** **US D552,595 S**  
**Viduya et al.** (45) **Date of Patent:** **\*\* Oct. 9, 2007**

(54) **CONTROL PANEL FOR A HEADSET**

(75) Inventors: **Andres Viduya**, Cranberry Township, PA (US); **Frank Singel**, Cranberry Township, PA (US); **James Wahl**, Export, PA (US); **Dominic Tooze**, London (GB)

(73) Assignee: **Vocollect, Inc.**, Pittsburgh, PA (US)

(\*\*) Term: **14 Years**

(21) Appl. No.: **29/242,950**

(22) Filed: **Nov. 16, 2005**

(51) **LOC (8) Cl.** ..... **14-01**

(52) **U.S. Cl.** ..... **D14/205; D14/217**

(58) **Field of Classification Search** ..... D14/205,  
D14/206, 218, 223, 192, 400, 188; D24/174;  
307/149, 150, 156; 381/309, 370, 385, 347;  
351/158; 455/344

See application file for complete search history.

(56) **References Cited**

**U.S. PATENT DOCUMENTS**

1,483,315	A	2/1924	Saal	
D130,619	S	12/1941	Tresie et al.	
D153,112	S	3/1949	Braun et al.	
2,506,524	A	* 5/1950	Stuck	307/149
2,958,769	A	* 11/1960	Bounds	455/344
3,087,028	A	4/1963	Louis	
D196,654	S	10/1963	Van Den Berg	
D206,665	S	* 1/1967	Sanzone	D24/174
D212,863	S	* 12/1968	Roberts	D14/192
3,654,406	A	4/1972	Reinthalder	
3,682,268	A	8/1972	Gorike	
3,971,900	A	7/1976	Foley	
3,971,901	A	7/1976	Foley	

(Continued)

**OTHER PUBLICATIONS**

U.S. Design Pat. Appl. No. 29/253,487; Inventor: Andres Viduya; entitled Convertible Headset; filed Feb. 7, 2006.  
U.S. Design Pat. Appl. No. 29/253,449; Inventor: Andres Viduya; entitled Convertible Headset; filed Feb. 7, 2006.  
U.S. Design Pat. No. Appl. No. 29/242,827; Inventor: James Wahl; entitled Battery for a Headset; filed Nov. 15, 2005.  
U.S. Design Pat. Appl. No. Appl. No. 29/242,817; Inventor; Andres Viduya; entitled A Headset; filed Nov. 15, 2005.  
Vocollect Speech Recognition Headsets brochure –Clarity and comfort. Reliable performance. Copyright Sep. 2005.  
Vocollect Speech Recognition Headsets brochure –SR 30 Series Talkman High–Noise Headset. Copyright 2005.  
Vocollect SR 20 Talkman Lightweight Headset Product Information Sheet. Copyright Aug. 2004.  
Photographs 1–7 SR Talkman Headset Aug. 2004 –Prior Art.  
Supplemental Vocollect SR 20, Talkman Lightweight Headset brochure. Copyright Aug. 2004.

*Primary Examiner*—Paula A. Greene

(74) *Attorney, Agent, or Firm*—Wood, Herron & Evans, LLP

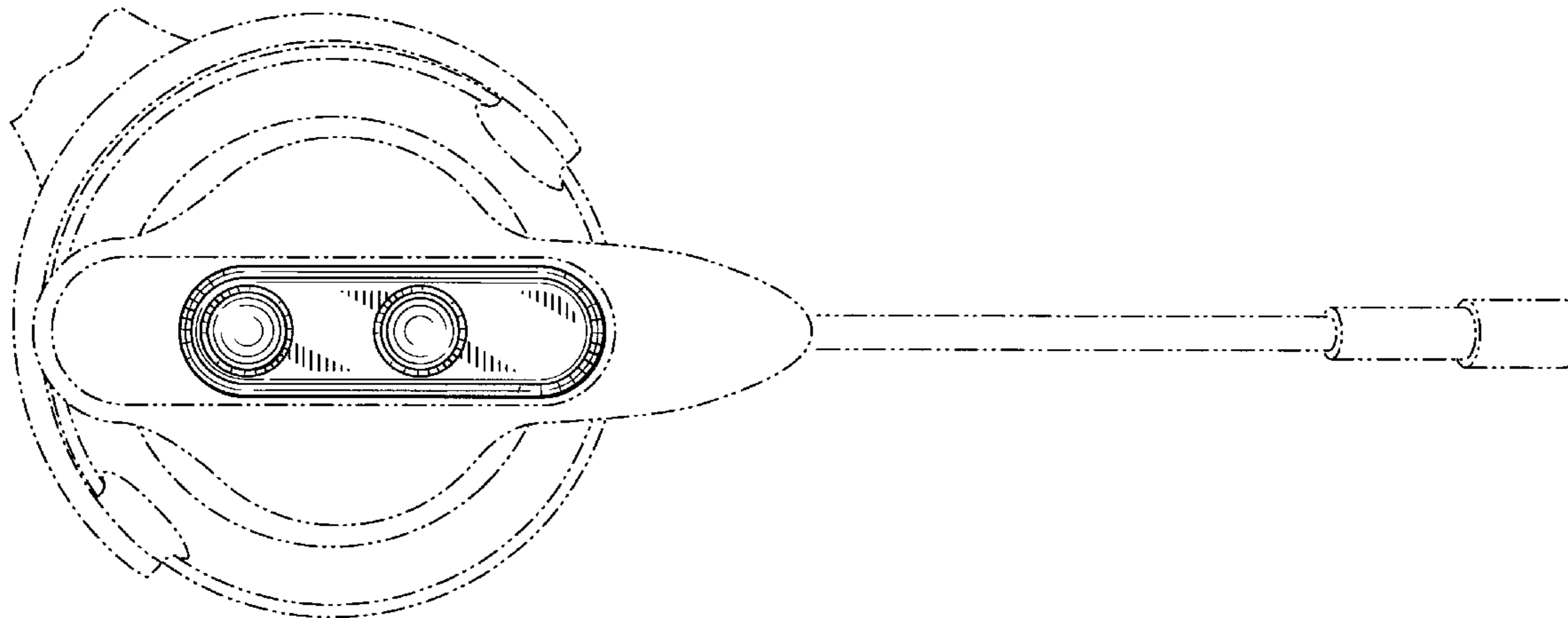
(57) **CLAIM**

The ornamental design for a control panel for a headset, as shown and described.

**DESCRIPTION**

FIG. 1 is a front view of a control panel for a headset showing our new design;  
FIG. 2 is another front view of the embodiment of FIG. 1;  
FIG. 3 is a cross-sectional view taken along lines 3—3 of FIG. 2;  
FIG. 4 is a bottom view of the invention relative to FIG. 2;  
FIG. 5 is a right side view of the invention relative to FIG. 2;  
FIG. 6 is a top view of the invention relative to FIG. 2;  
FIG. 7 is a left side view of the invention relative to FIG. 2; and,  
FIG. 8 is a rear view of the invention relative to FIG. 2.  
The broken lines are for illustrative purposes only and forms no part of the claimed design.

**1 Claim, 2 Drawing Sheets**



# US D552,595 S

U.S. PATENT DOCUMENTS							
3,984,885	A	10/1976	Yoshimura et al.	6,085,428	A	7/2000	Casby et al.
4,024,368	A	5/1977	Shattuck	6,101,260	A	8/2000	Jensen
4,039,765	A	8/1977	Tichy et al.	6,154,669	A	11/2000	Hunter
4,138,598	A	2/1979	Cech	6,167,413	A	12/2000	Daley, III
4,189,788	A	2/1980	Schenke et al.	D436,104	S	1/2001	Bhatia et al.
RE30,662	E	6/1981	Foley	6,171,138	B1	1/2001	Lefebvre et al.
4,302,635	A	11/1981	Jacobsen et al.	6,179,192	B1	1/2001	Weinger et al.
D265,989	S	8/1982	Harris et al.	6,190,795	B1	2/2001	Daley
D268,675	S	* 4/1983	Hass ..... D14/192	D440,966	S	4/2001	Ronzani
4,418,248	A	11/1983	Mathis	6,225,777	B1	5/2001	Garcia et al.
4,471,496	A	9/1984	Gardner, Jr. et al.	6,226,622	B1	5/2001	Dabbiere
4,472,607	A	9/1984	Houng	6,229,694	B1	5/2001	Kono
4,499,593	A	2/1985	Antle	6,230,029	B1	5/2001	Hahn
4,634,816	A	1/1987	O'Malley	6,235,420	B1	5/2001	Ng
4,672,672	A	6/1987	Eggert et al.	6,237,051	B1	5/2001	Collins
4,689,822	A	8/1987	Houng	D443,870	S	6/2001	Carpenter et al.
D299,129	S	12/1988	Wiegel	6,261,715	B1	7/2001	Nakamura et al.
4,821,318	A	4/1989	Wu	D449,289	S	10/2001	Weikel et al.
D301,145	S	5/1989	Besasia et al.	6,302,454	B1	10/2001	Tsurumaru et al.
4,875,233	A	10/1989	Derhaag	6,304,430	B1	10/2001	Laine et al.
4,907,266	A	3/1990	Chen	6,304,459	B1	10/2001	Toyosato et al.
4,952,024	A	8/1990	Gale	6,310,888	B1	10/2001	Hamlin
D313,092	S	12/1990	Nilsson	6,324,053	B1	11/2001	Kamijo
5,003,589	A	3/1991	Chen	D451,903	S	12/2001	Amae et al.
4,018,599	A	5/1991	Dohi	D451,907	S	12/2001	Amae et al.
D318,670	S	* 7/1991	Taniguchi ..... D14/205	6,325,507	B1	12/2001	Jannard et al.
5,056,161	A	10/1991	Breen	6,326,543	B1	12/2001	Lamp et al.
D321,879	S	* 11/1991	Emmerling ..... D14/192	6,327,152	B1	12/2001	Saye
D326,655	S	* 6/1992	Iribe ..... D14/192	6,339,764	B1	1/2002	Livesay et al.
5,177,784	A	1/1993	Hu et al.	6,356,635	B1	3/2002	Lyman et al.
5,179,736	A	1/1993	Scanlon	6,357,534	B1	3/2002	Buetow et al.
D334,043	S	* 3/1993	Taniguchi et al. .... D14/218	6,359,777	B1	3/2002	Newman et al.
5,197,332	A	3/1993	Shennib	6,359,995	B1	3/2002	Ou
D341,567	S	11/1993	Acker et al.	6,369,952	B1	4/2002	Rallison et al.
5,281,957	A	1/1994	Schoolman	6,371,535	B2	4/2002	Wei et al.
D344,522	S	* 2/1994	Taniguchi ..... D14/218	6,373,693	B1	4/2002	Seto et al.
5,369,857	A	12/1994	Sacherman et al.	6,373,942	B1	4/2002	Braund
5,381,486	A	1/1995	Ludeke	6,374,126	B1	4/2002	MacDonald, Jr. et al.
5,406,037	A	4/1995	Nageno et al.	6,376,942	B1	4/2002	Burger et al.
5,438,626	A	8/1995	Neuman et al.	D457,133	S	5/2002	Yoneyama
5,446,788	A	8/1995	Lucey	6,434,251	B1	8/2002	Jensen et al.
5,469,505	A	11/1995	Gathey	D463,784	S	10/2002	Taylor et al.
D367,256	S	2/1996	Tokunaga	D466,497	S	12/2002	Wikel et al.
5,553,312	A	9/1996	Gathey	6,511,770	B2	1/2003	Chang
5,555,554	A	9/1996	Hofer	D488,146	S	4/2004	Minto
5,579,400	A	11/1996	Ballein	D488,461	S	4/2004	Okada et al.
D376,598	S	12/1996	Hayashi	D491,917	S	6/2004	Asai
D380,199	S	6/1997	Beruscha et al.	6,754,361	B1	6/2004	Hall et al.
5,671,037	A	9/1997	Ogasawara et al.	6,769,767	B2	8/2004	Swab et al.
5,680,465	A	* 10/1997	Boyden ..... 381/309	6,778,676	B2	8/2004	Groth et al.
D394,436	S	5/1998	Hall et al.	D506,065	S	6/2005	Sugino
5,774,096	A	6/1998	Usuki et al.	D507,523	S	7/2005	Resch et al.
5,781,644	A	7/1998	Chang	D512,417	S	12/2005	Hirakawa et al.
5,793,878	A	8/1998	Chang	D512,985	S	12/2005	Travers et al.
D398,899	S	9/1998	Chaco	D519,497	S	4/2006	Komiyama
D400,848	S	11/1998	Clark et al.	D524,794	S	7/2006	Kim
5,832,098	A	11/1998	Chen	D525,237	S	* 7/2006	Viduya et al. .... D14/223
5,841,859	A	11/1998	Chen	2001/0004310	A1	* 6/2001	Kono
5,862,241	A	1/1999	Nelson	2001/0017926	A1	8/2001	Vicamini
D406,098	S	2/1999	Walter et al.	2001/0036058	A1	* 11/2001	Jenks et al.
5,890,074	A	3/1999	Rydbeck	2001/0046305	A1	* 11/2001	Muranami et al.
D409,137	S	5/1999	Sumita et al.	2001/0048586	A1	* 12/2001	Itou et al.
D410,466	S	6/1999	Mouri	2002/0003889	A1	1/2002	Fischer
D410,921	S	6/1999	Luchs et al.	2002/0009191	A1	1/2002	Lucey et al.
5,991,085	A	11/1999	Rallison	2002/0012832	A1	* 1/2002	White et al.
6,016,347	A	1/2000	Magnasco et al.	2002/0025455	A1	* 2/2002	Yoneyama
D422,962	S	4/2000	Shevlin et al.	2002/0034683	A1	* 3/2002	Takeshita et al.
6,075,857	A	6/2000	Doss, Jr.	2002/0076060	A1	6/2002	Hall et al.
6,078,825	A	6/2000	Hahn	2002/0080987	A1	6/2002	Almqvist
6,084,556	A	7/2000	Zwern	2002/0085733	A1	7/2002	Cottrell
				2002/0131616	A1	9/2002	Bronnikov et al.

# US D552,595 S

Page 3

---

2002/0194004 A1 12/2002 Glinski et al.  
2002/0068061 A1 4/2003 Huang  
2004/0091129 A1 5/2004 Jensen et al.  
2004/0203521 A1 10/2004 Nassimi

2005/0070337 A1 3/2005 Byford et al.  
2005/0157903 A1 7/2005 Bech

\* cited by examiner

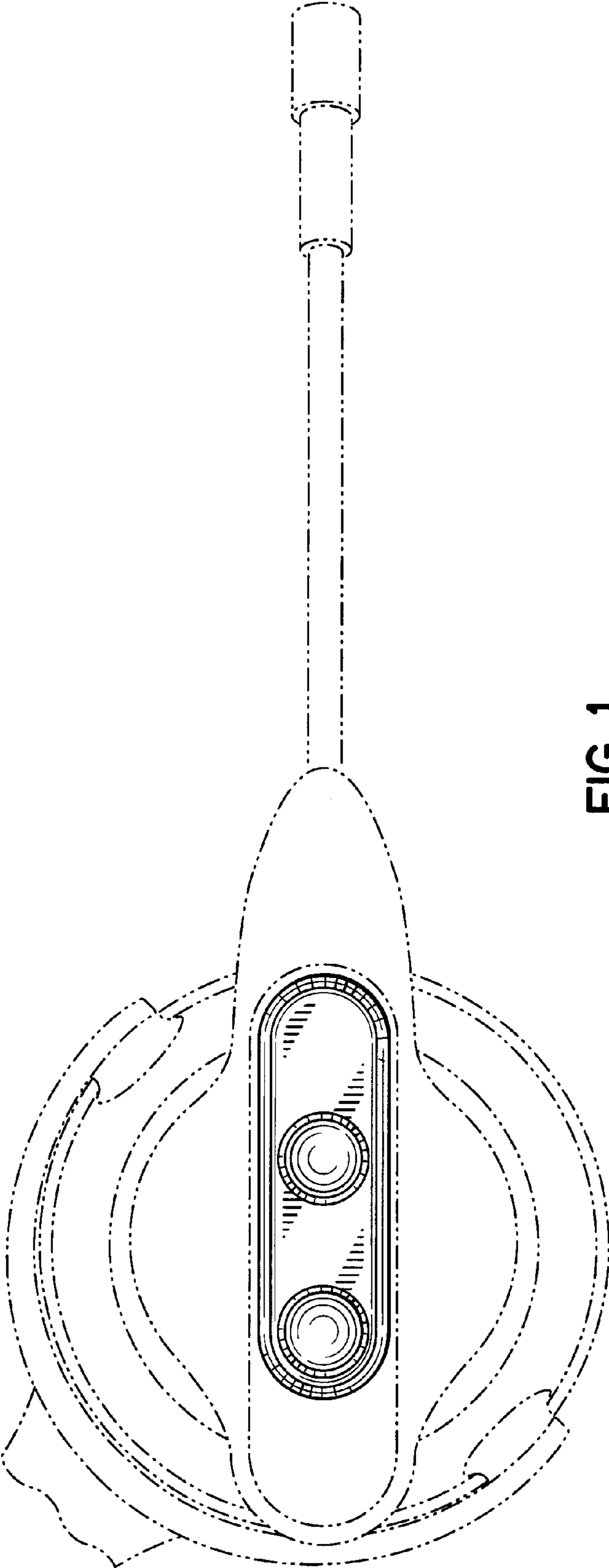


FIG. 1

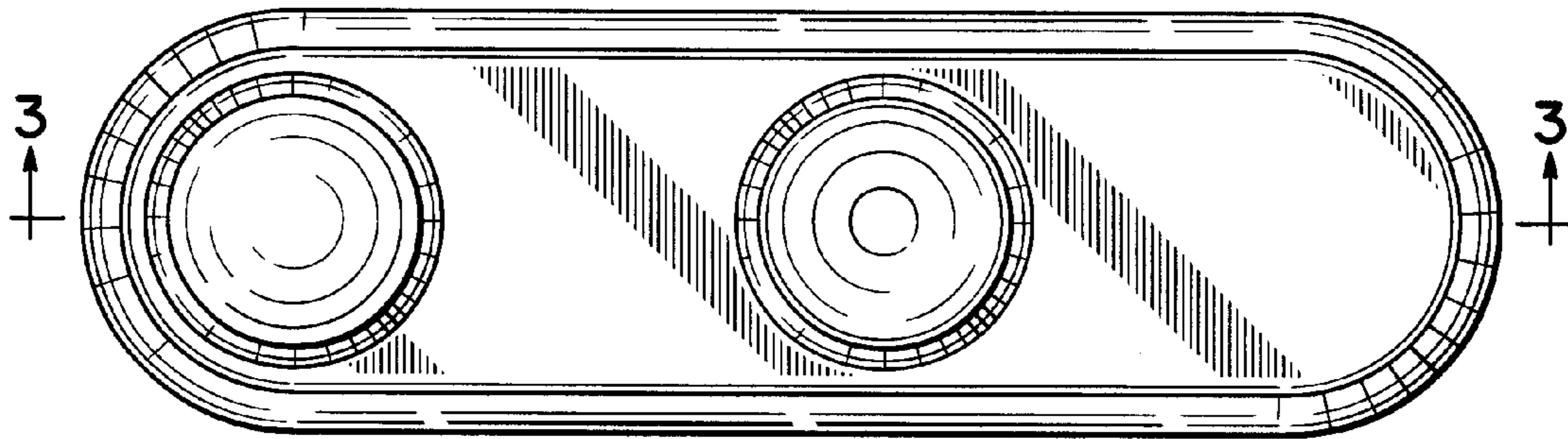


FIG. 2



FIG. 3



FIG. 4



FIG. 5

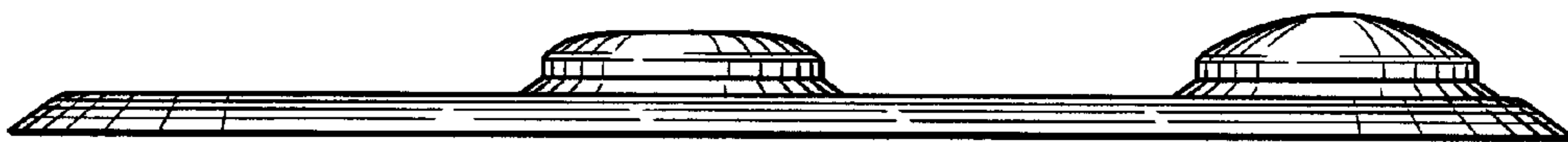


FIG. 6



FIG. 7

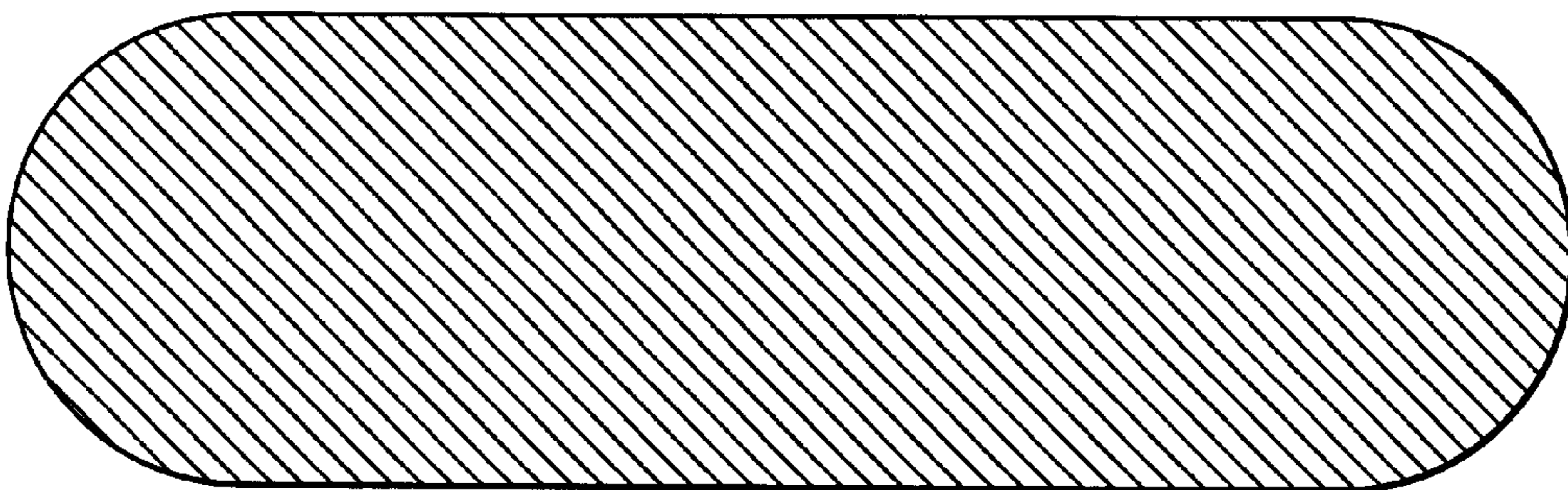


FIG. 8