



US00D552593S

(12) **United States Design Patent**
Ahlgrim et al.

(10) **Patent No.:** **US D552,593 S**

(45) **Date of Patent:** **** Oct. 9, 2007**

(54) **PORTABLE MEDIA REPRODUCTION
DEVICE**

(75) Inventors: **Dirk Ahlgrim**, Cambridge, MA (US);
Thomas Brisebras, La Balme de
Sillingy (FR); **Robert J. McCaffrey**,
Hillsborough, NH (US); **Gerd
Schmieta**, Boxton, MA (US)

(73) Assignee: **Altec Lansing, a division of
Plantronics, Inc.**, Milford, PA (US)

(**) Term: **14 Years**

(21) Appl. No.: **29/240,161**

(22) Filed: **Oct. 11, 2005**

(51) **LOC (8) Cl.** **14-01**

(52) **U.S. Cl.** **D14/168; D14/496**

(58) **Field of Classification Search** D14/496,
D14/474, 168, 188, 192, 194, 204, 238; 455/344-351;
369/1, 6-12; 381/58, 111, 120, 300, 307;
181/144-148, 141

See application file for complete search history.

(56) **References Cited**

U.S. PATENT DOCUMENTS

4,450,495 A * 5/1984 Naruki 360/137
4,510,589 A * 4/1985 Ito 369/11
5,146,618 A * 9/1992 Wenner 455/345
D331,238 S * 11/1992 Lewis D14/168

D339,345 S * 9/1993 Fuke D14/168
6,086,380 A * 7/2000 Chu et al. 434/307 A
D457,153 S * 5/2002 Allen D14/168
D477,829 S * 7/2003 Hussaini et al. D14/496
D477,830 S * 7/2003 Hussaini et al. D14/496
6,645,067 B1 * 11/2003 Okita et al. 463/7
D497,896 S * 11/2004 Hussaini et al. D14/168
D532,773 S * 11/2006 Langberg et al. D14/214
D540,781 S * 4/2007 Patel et al. D14/214

* cited by examiner

Primary Examiner—Prabhakar Deshmukh

(74) *Attorney, Agent, or Firm*—Richard E. Kurtz; Greenberg
Traurig, LLP

(57) **CLAIM**

The ornamental design for a portable media reproduction
device, as shown and described.

DESCRIPTION

FIG. 1 is a perspective view of portable media reproduction
device showing our new design;

FIG. 2 is a front elevational view thereof;

FIG. 3 is a rear elevational view thereof;

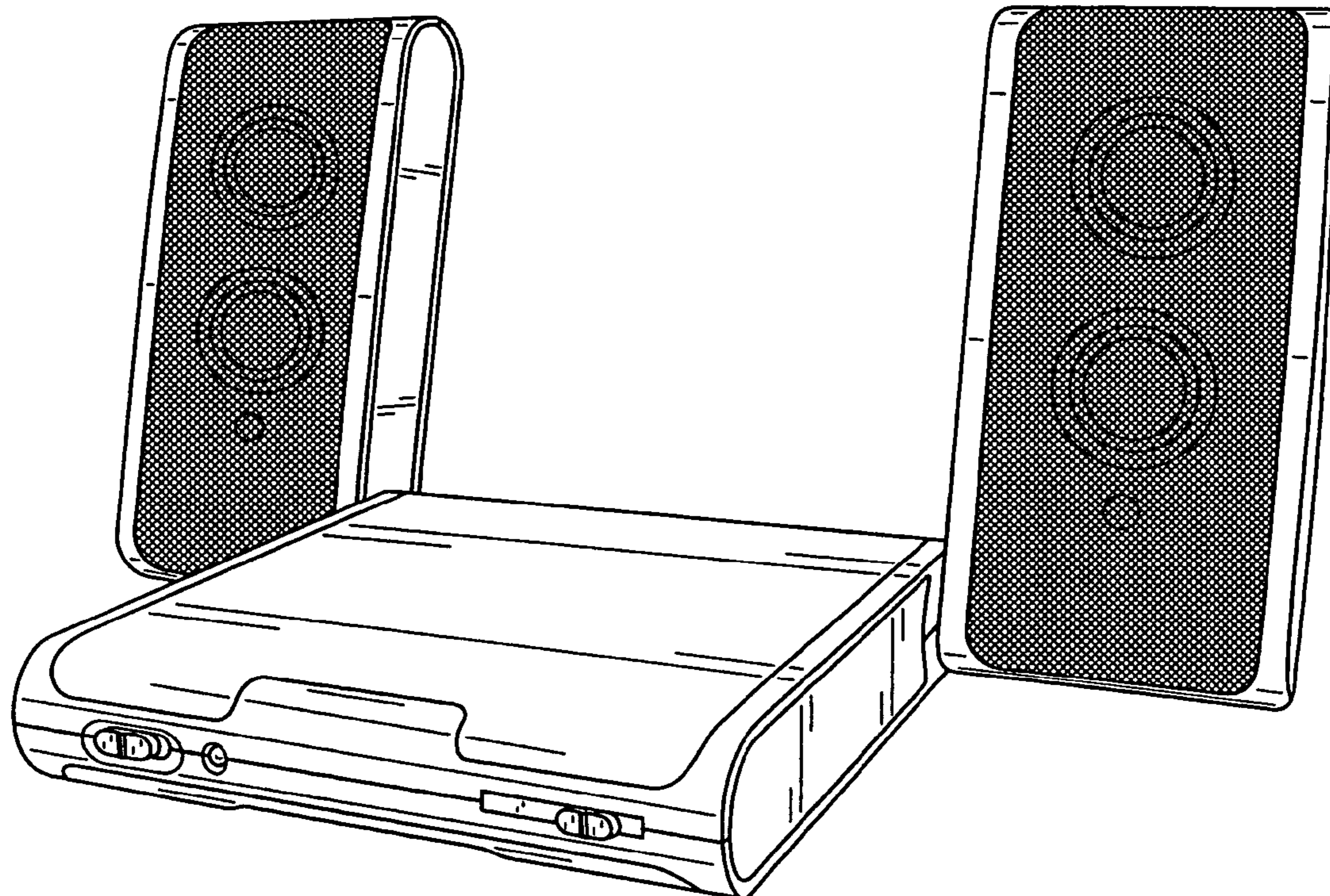
FIG. 4 is a left side elevational view thereof;

FIG. 5 is a right side elevational view thereof;

FIG. 6 is a top plan view thereof; and,

FIG. 7 is a bottom plan view thereof.

1 Claim, 7 Drawing Sheets



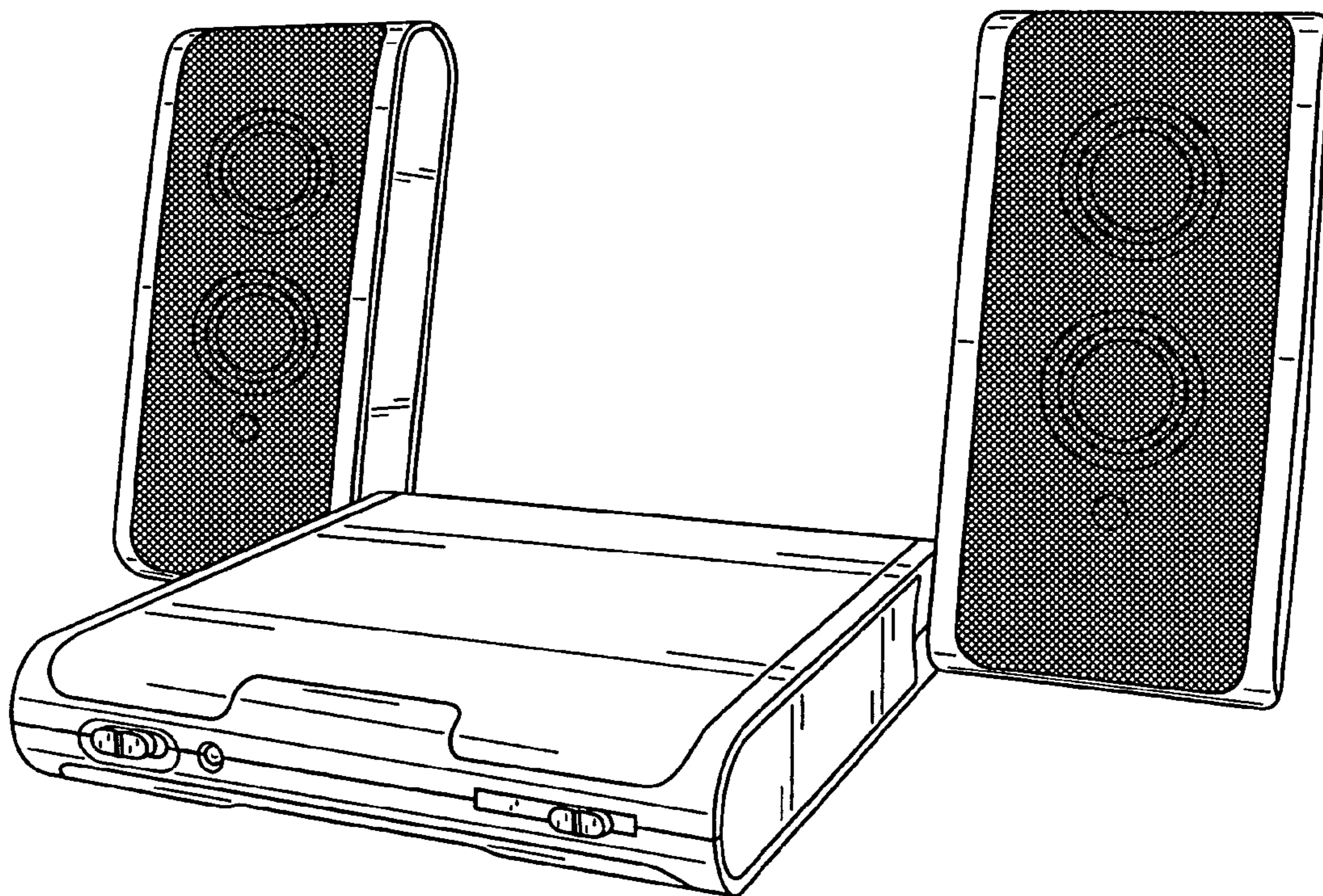


FIG. 1

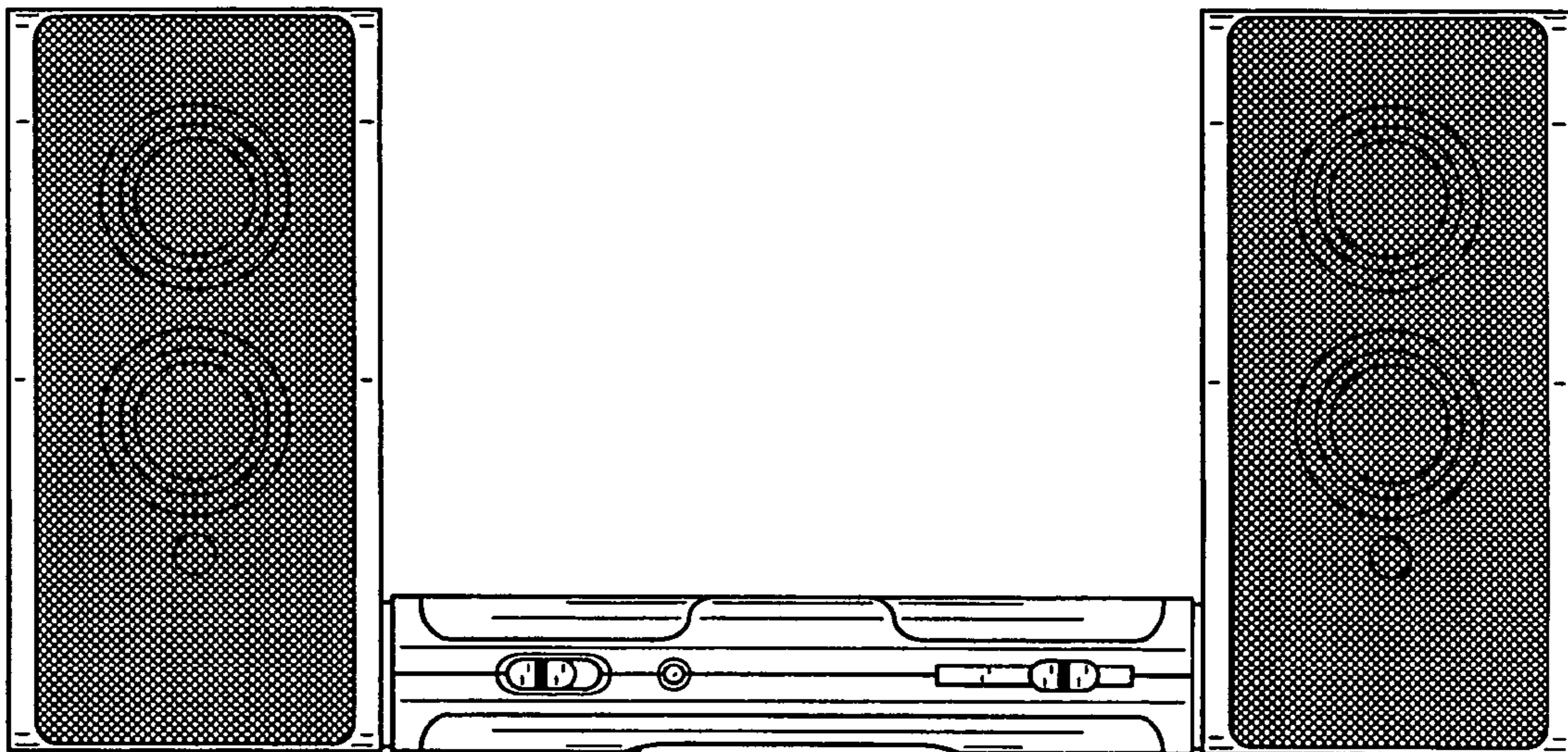


FIG. 2

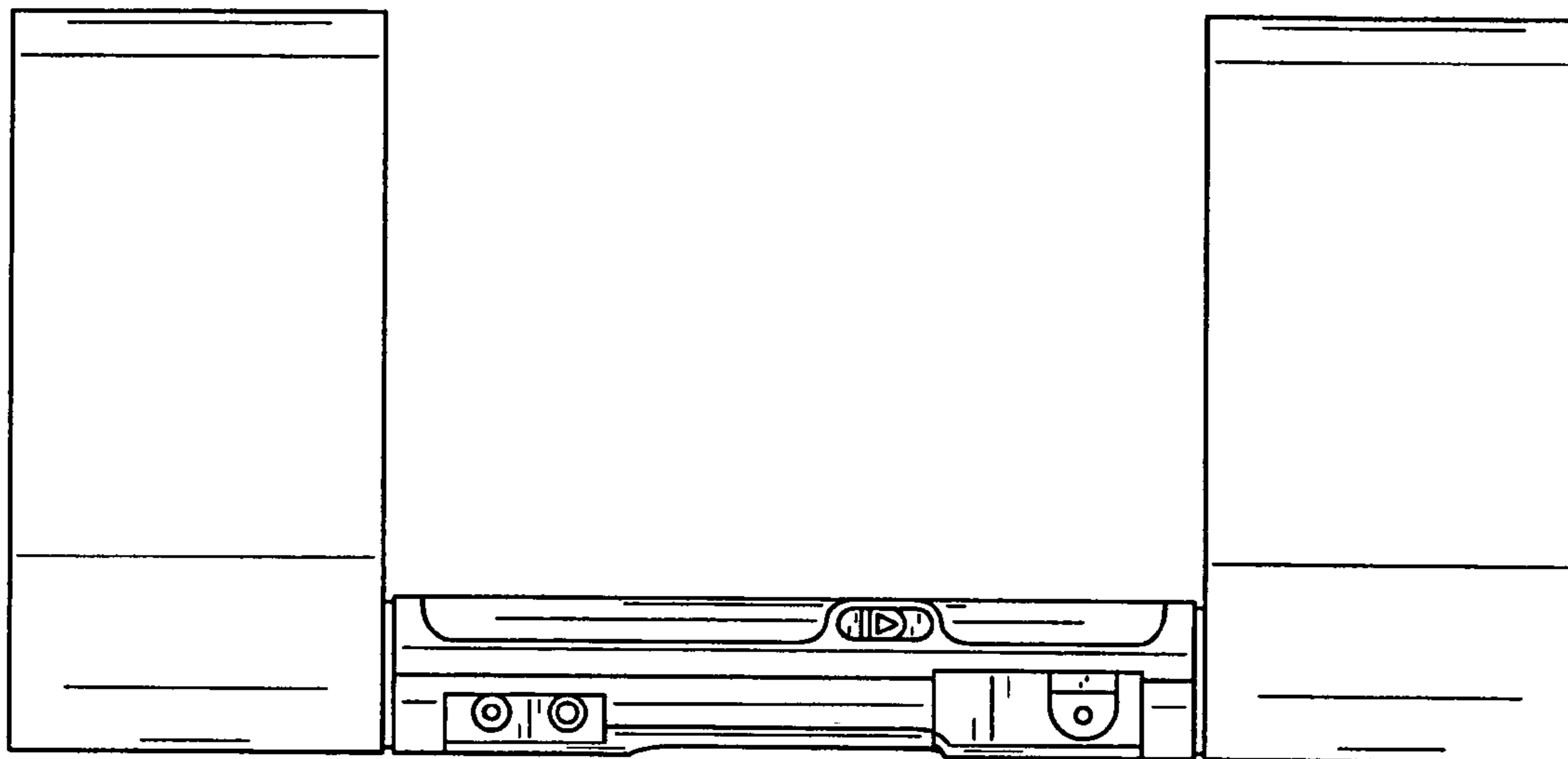


FIG. 3

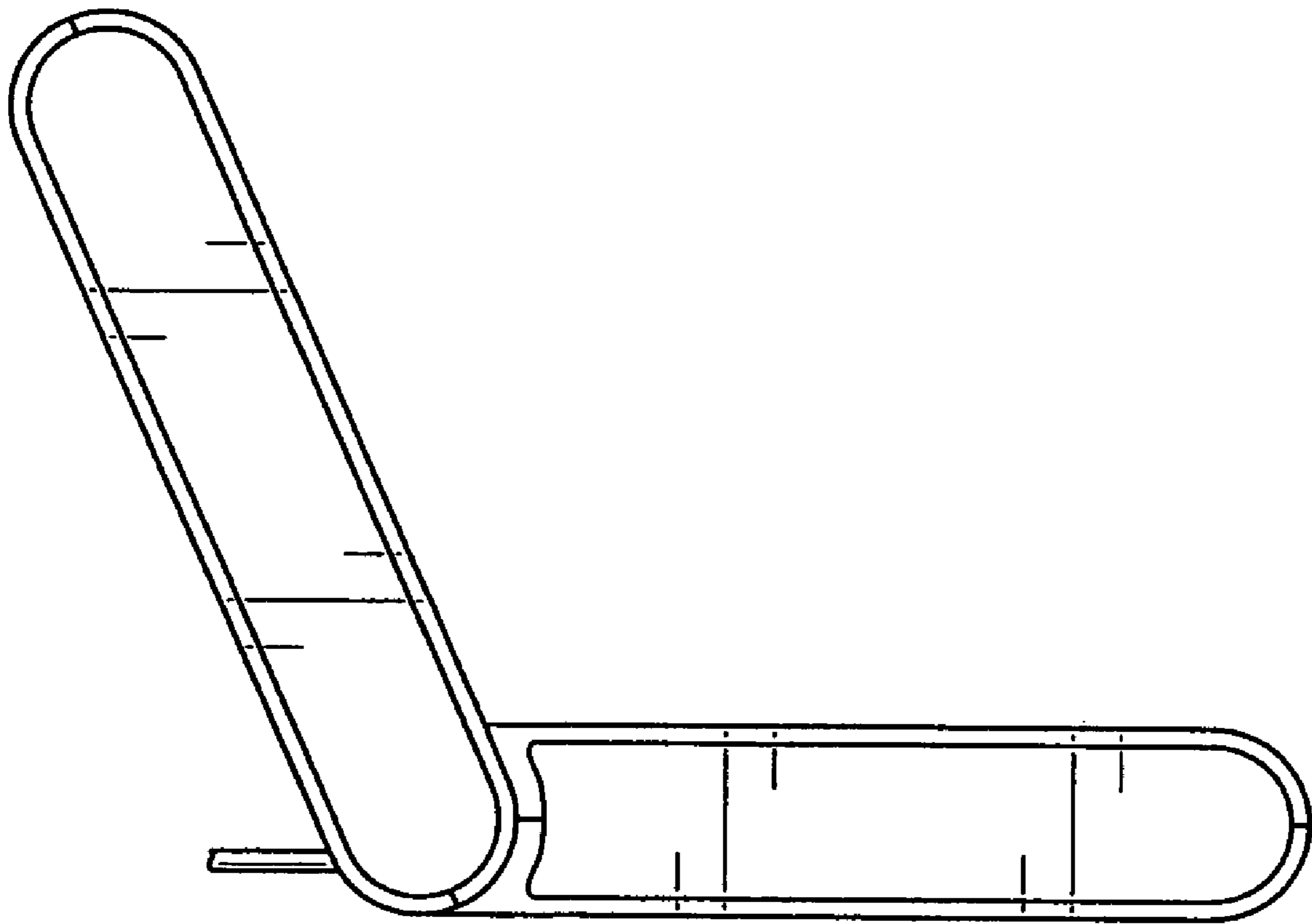


FIG. 4

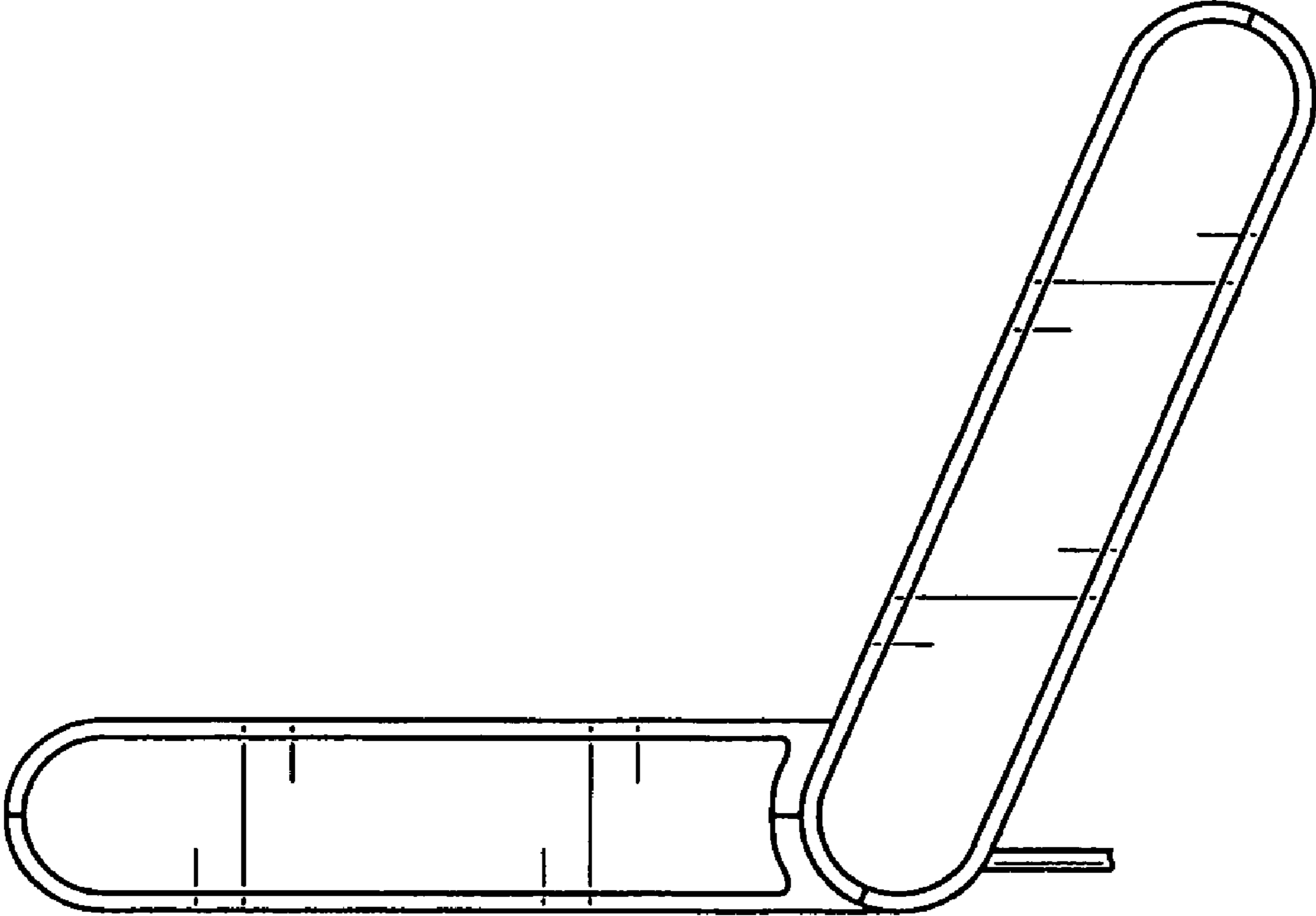


FIG. 5

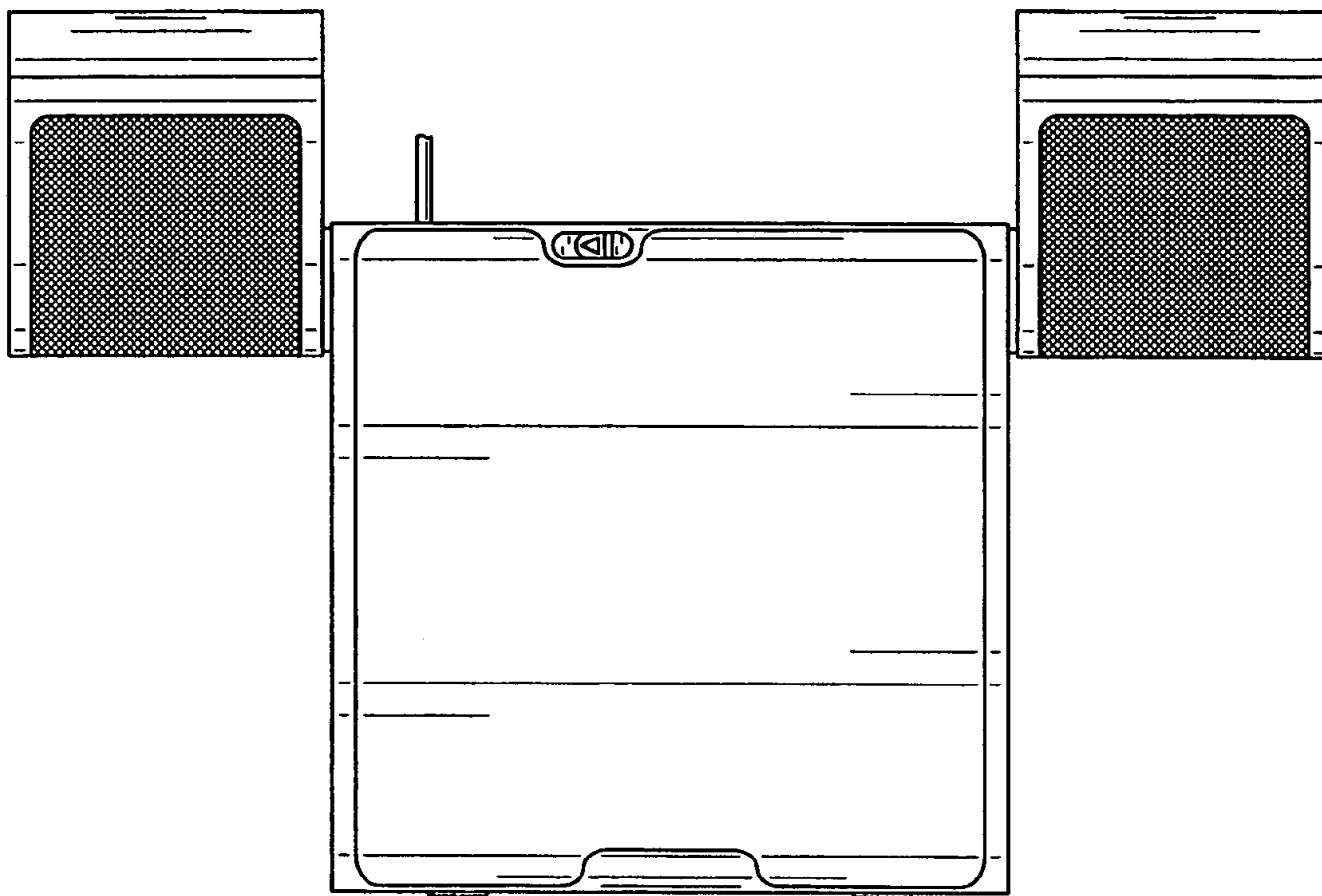


FIG. 6

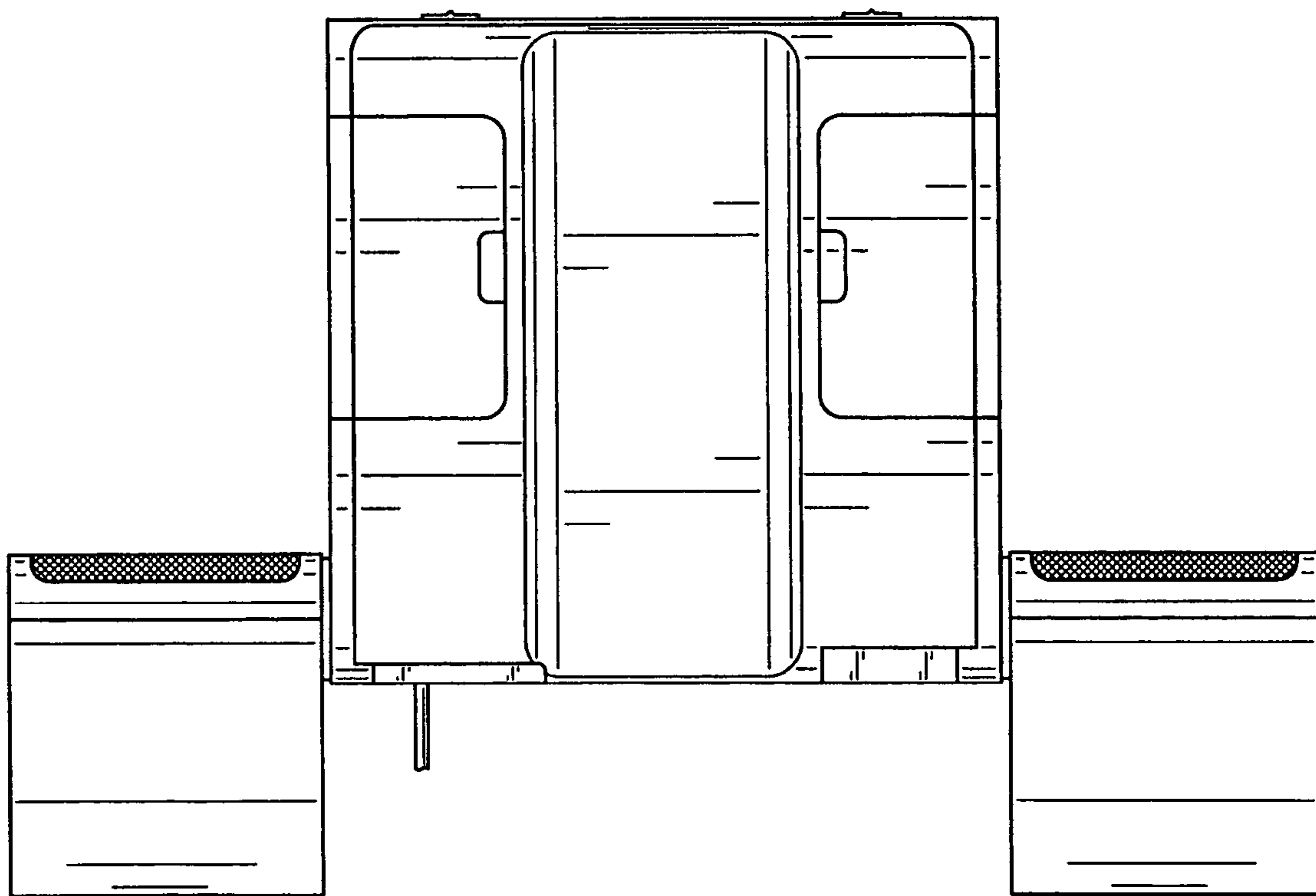


FIG. 7