

US00D552579S

(12) **United States Design Patent**  
**Lee et al.**

(10) **Patent No.: US D552,579 S**  
(45) **Date of Patent: \*\* Oct. 9, 2007**

(54) **PORTABLE PHONE**

D530,698 S \* 10/2006 Lee et al. .... D14/138

(75) Inventors: **Ji-Young Lee**, Seongnam-si (KR);  
**Sang-Min Hyun**, Seoul (KR);  
**Chang-Soo Lee**, Incheon (KR)

(Continued)

FOREIGN PATENT DOCUMENTS

(73) Assignee: **Samsung Electronics Co., Ltd.**,  
Suwon-Si (KR)

WO DM/061134 \* 8/2002

OTHER PUBLICATIONS

(\*\*) Term: **14 Years**

Samsung i750, announced 1<sup>st</sup> quarter 2005, [online], [retrieved on Feb. 8, 2007]. Retrieved from Internet ,<URL: http://www.gsmarena.com>.\*

(21) Appl. No.: **29/255,219**

NEC N500, announced 4<sup>th</sup> quarter 2004, [online], [retrieved on Feb. 20, 2007]. Retrieved from Internet ,<URL: http://www.gsmarena.com>.\*

(22) Filed: **Mar. 7, 2006**

Eten glofish X500, announced Oct. 2006, [online], [retrieved on Feb. 20, 2007]. Retrieved from Internet ,<URL: http://www.gsmarena.com>.\*

(30) **Foreign Application Priority Data**

Toshiba G900, announced Feb. 2007, [online], [retrieved on Feb. 20, 2007]. Retrieved from Internet ,<URL: http://www.gsmarena.com>.\*

Sep. 29, 2005 (KR) ..... 30-2005-0032994

(51) **LOC (8) Cl.** ..... **14-03**

(52) **U.S. Cl.** ..... **D14/138**

(58) **Field of Classification Search** ..... D14/137,  
D14/138, 147, 218, 341-347, 496; 455/90.3,  
455/556.1, 556.2, 575.1, 575.3, 575.4; 379/433.01-433.13;  
361/814; 348/14.02

See application file for complete search history.

*Primary Examiner*—Jeffrey Asch  
*Assistant Examiner*—Bridget L. Eland  
(74) *Attorney, Agent, or Firm*—Staas & Halsey LLP

(56) **References Cited**

(57) **CLAIM**

The ornamental design for the portable phone, as shown and described.

U.S. PATENT DOCUMENTS

**DESCRIPTION**

D479,214 S *	9/2003	Bertrand et al.	.....	D14/183
D495,695 S *	9/2004	Yugaya	.....	D14/346
D496,645 S *	9/2004	Yoo et al.	.....	D14/138
D503,699 S *	4/2005	Lee et al.	.....	D14/138
D509,202 S *	9/2005	Lee et al.	.....	D14/138
D511,342 S *	11/2005	Chien	.....	D14/346
D521,527 S *	5/2006	Lee	.....	D14/496
7,050,767 B2 *	5/2006	Hickey et al.	.....	455/90.3
D523,836 S *	6/2006	Park	.....	D14/138
D523,837 S *	6/2006	Lee	.....	D14/138
D525,609 S *	7/2006	Kim et al.	.....	D14/138
D526,301 S *	8/2006	Shin	.....	D14/138
D528,093 S *	9/2006	Yang et al.	.....	D14/138
D528,094 S *	9/2006	Hwang	.....	D14/138
D528,096 S *	9/2006	Park	.....	D14/138
D529,045 S *	9/2006	Shin	.....	D14/496
D529,471 S *	10/2006	Park	.....	D14/138

FIG. 1 is a perspective view of the portable phone showing our design;

FIG. 2 is a front view thereof;

FIG. 3 is a rear view thereof;

FIG. 4 is a left side view thereof;

FIG. 5 is a right side view thereof;

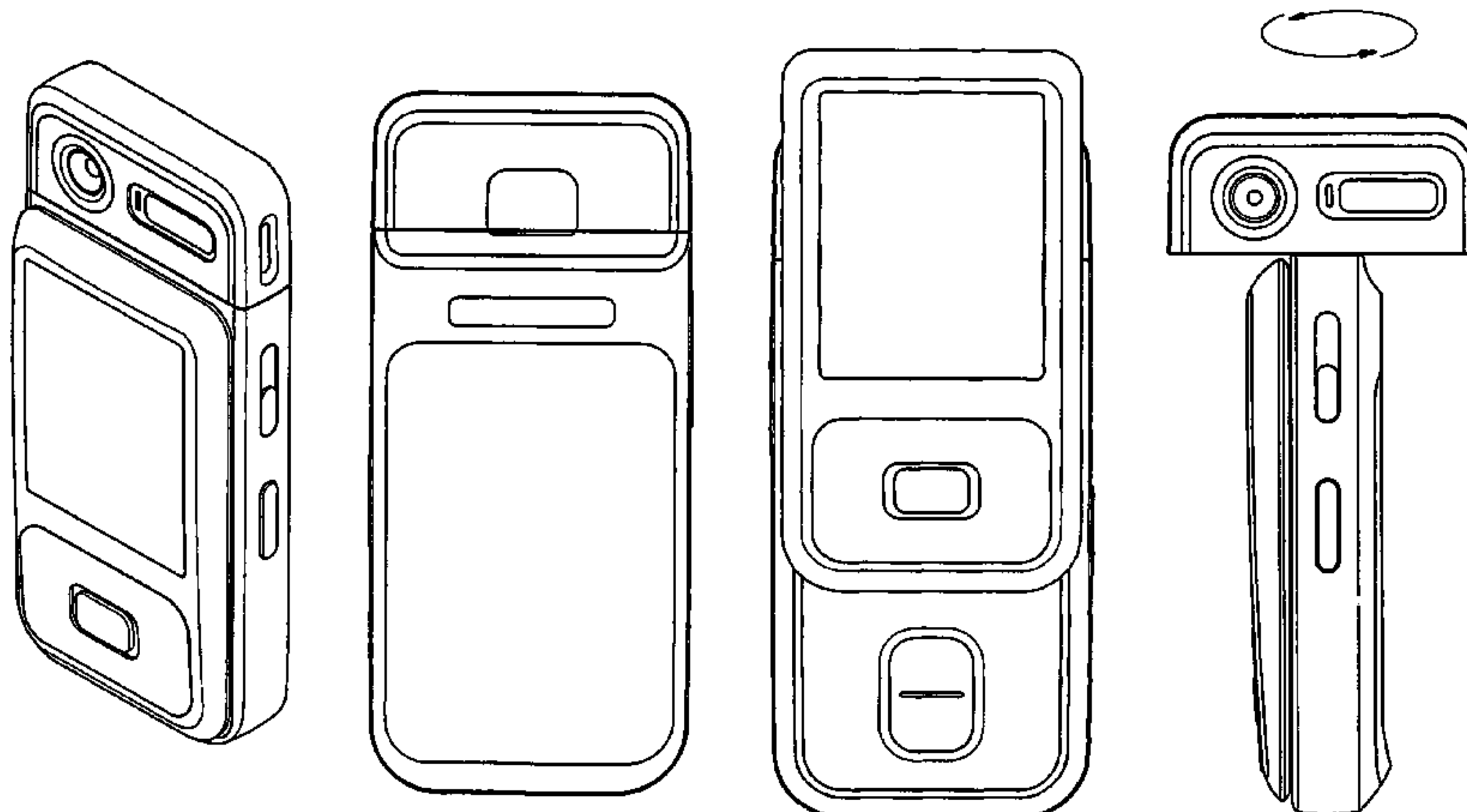
FIG. 6 is a top plan view thereof;

FIG. 7 is a bottom plan view thereof;

FIG. 8 is a front, open view thereof; and,

FIG. 9 is a right side view thereof showing a portion rotated.

**1 Claim, 6 Drawing Sheets**

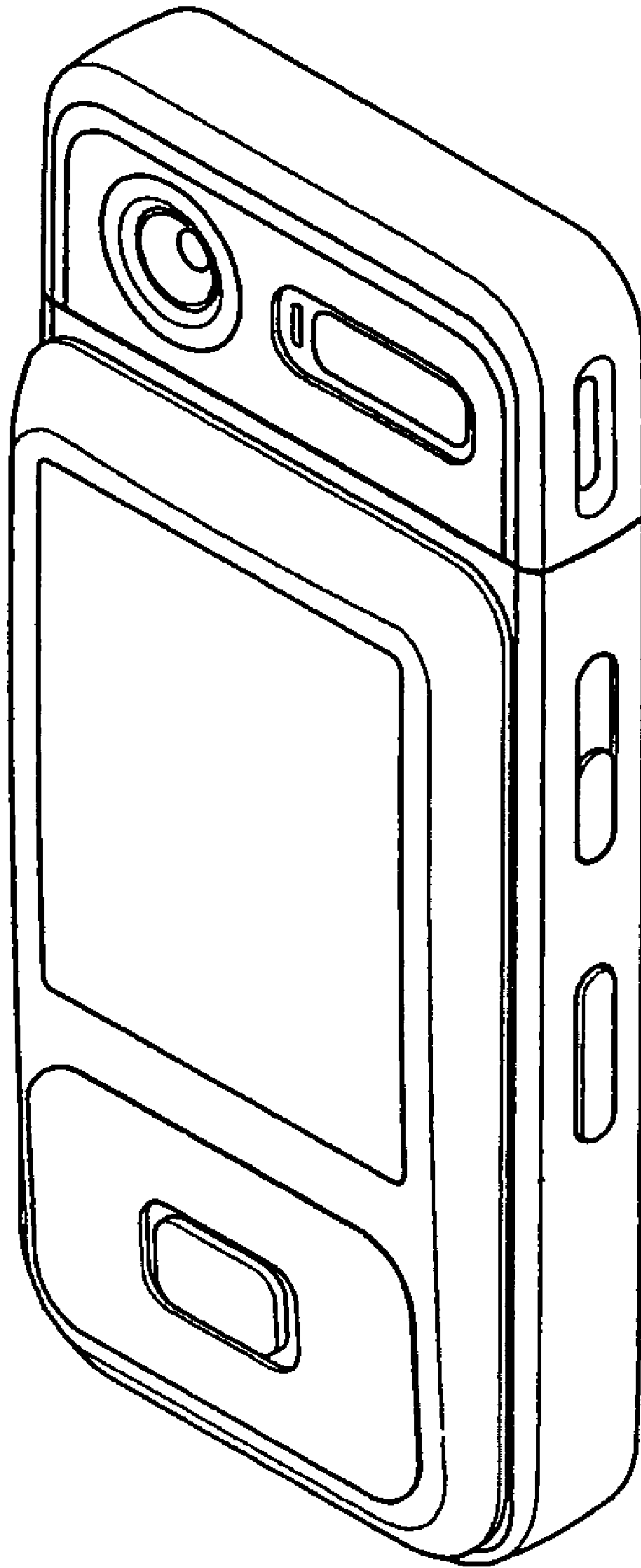


# US D552,579 S

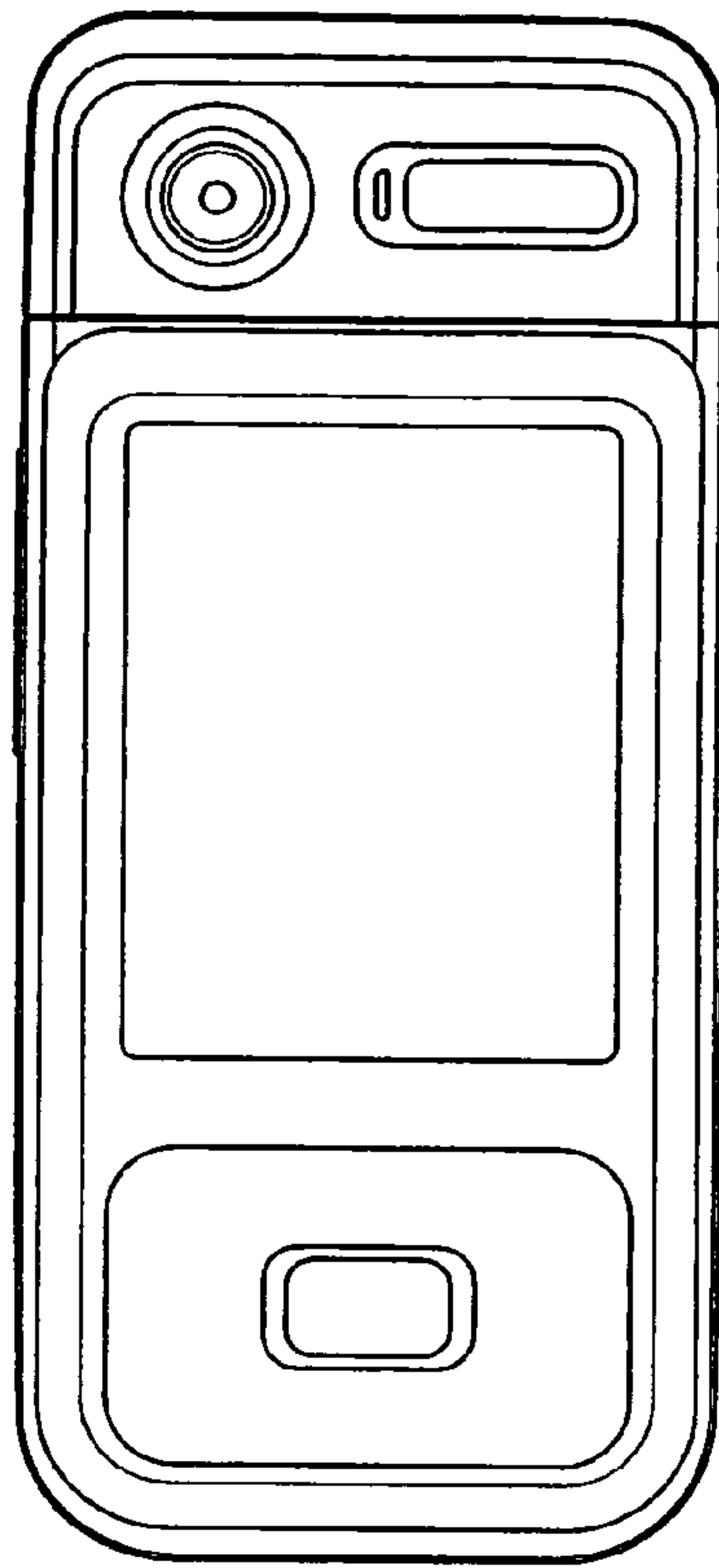
Page 2

---

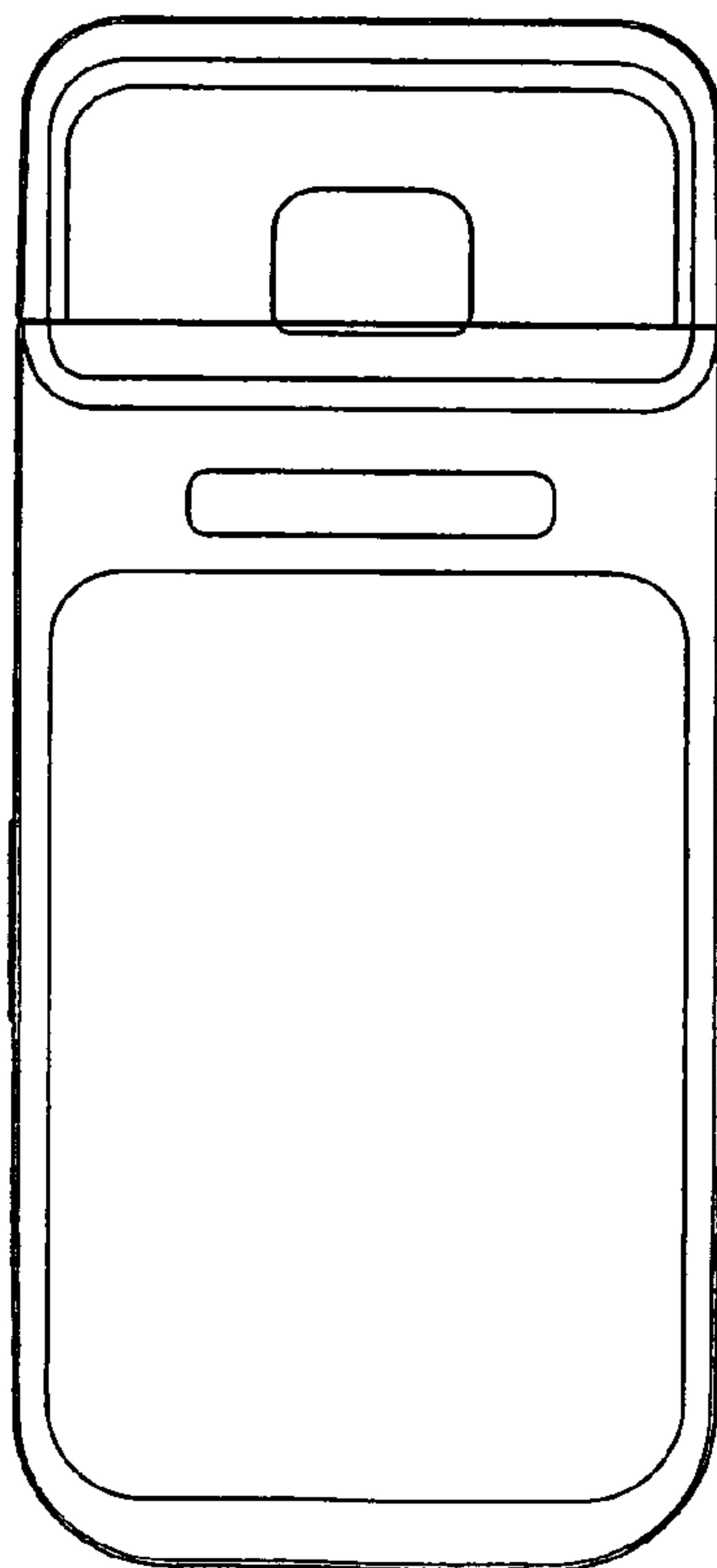
U.S. PATENT DOCUMENTS							
				2005/0245297	A1*	11/2005	Lee et al. .... 455/575.4
D531,976	S	*	11/2006	Kim et al. ....	D14/138		
D534,890	S	*	1/2007	Kim	.....	D14/138	
D534,891	S	*	1/2007	Park et al. ....	D14/138		
D536,691	S	*	2/2007	Park	.....	D14/138	
				2005/0255897	A1*	11/2005	Lee et al. .... 455/575.4
				2006/0094464	A1*	5/2006	Kyou et al. .... 455/556.1
				2007/0049358	A1*	3/2007	Kang et al. .... 455/575.1
				* cited by examiner			



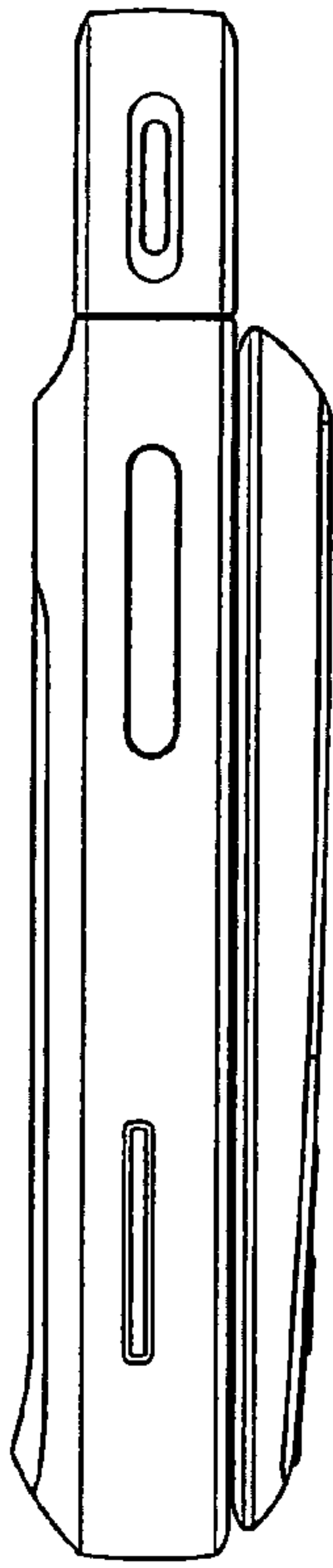
**FIGURE 1**



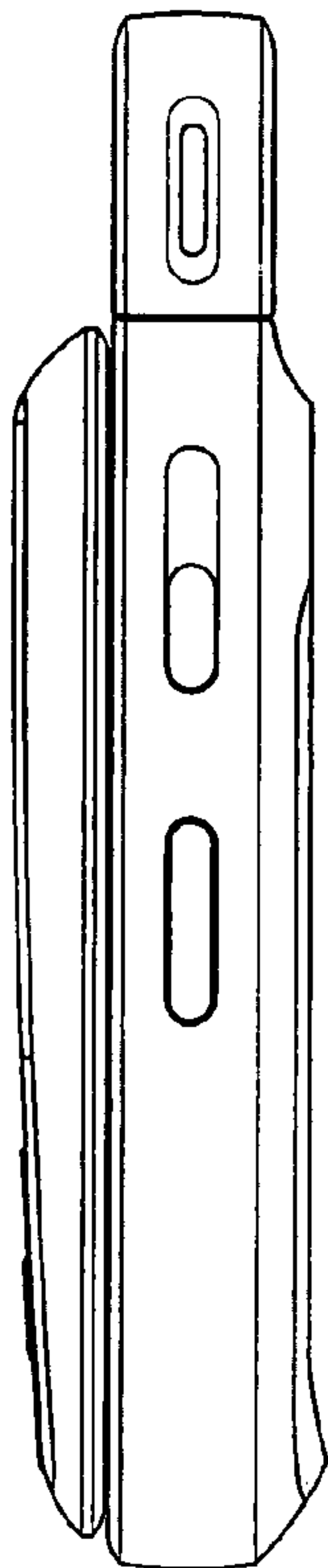
**FIGURE 2**



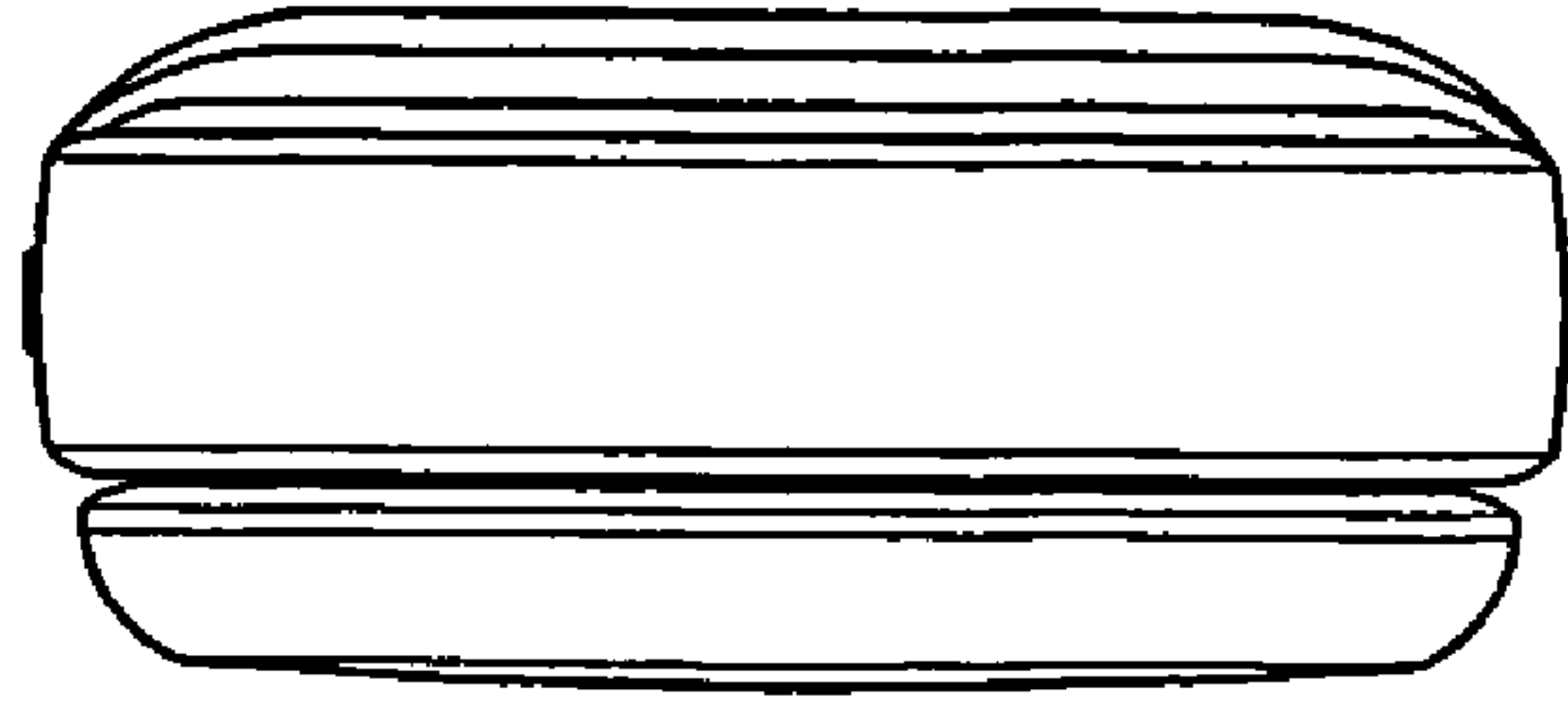
**FIGURE 3**



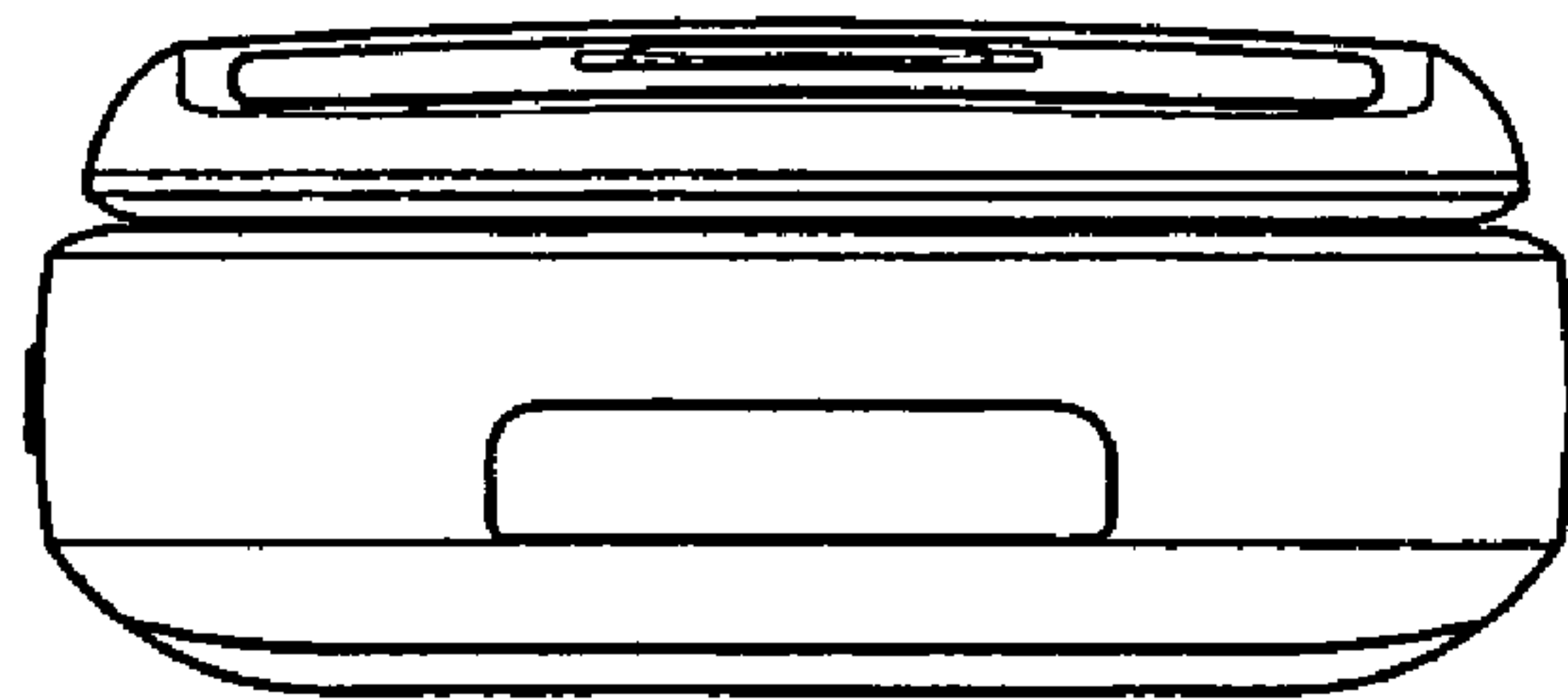
**FIGURE 4**



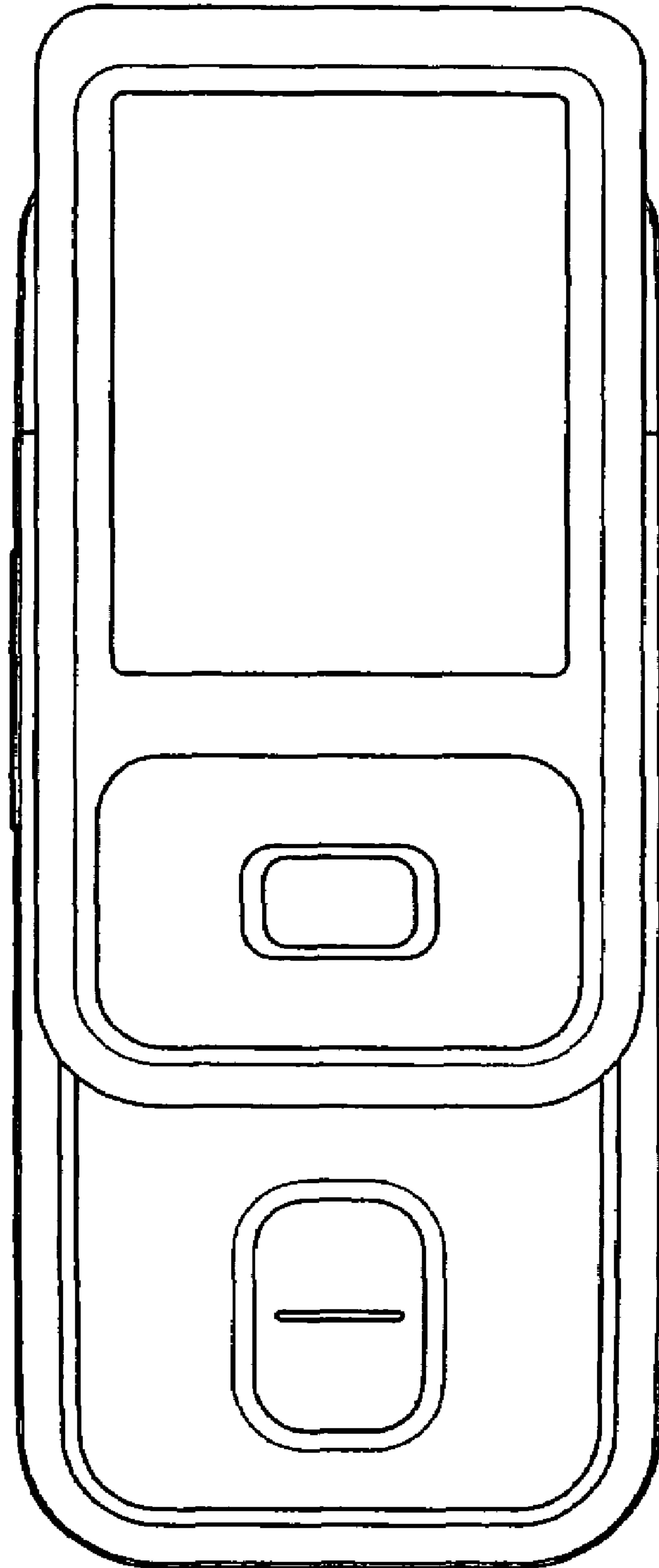
**FIGURE 5**



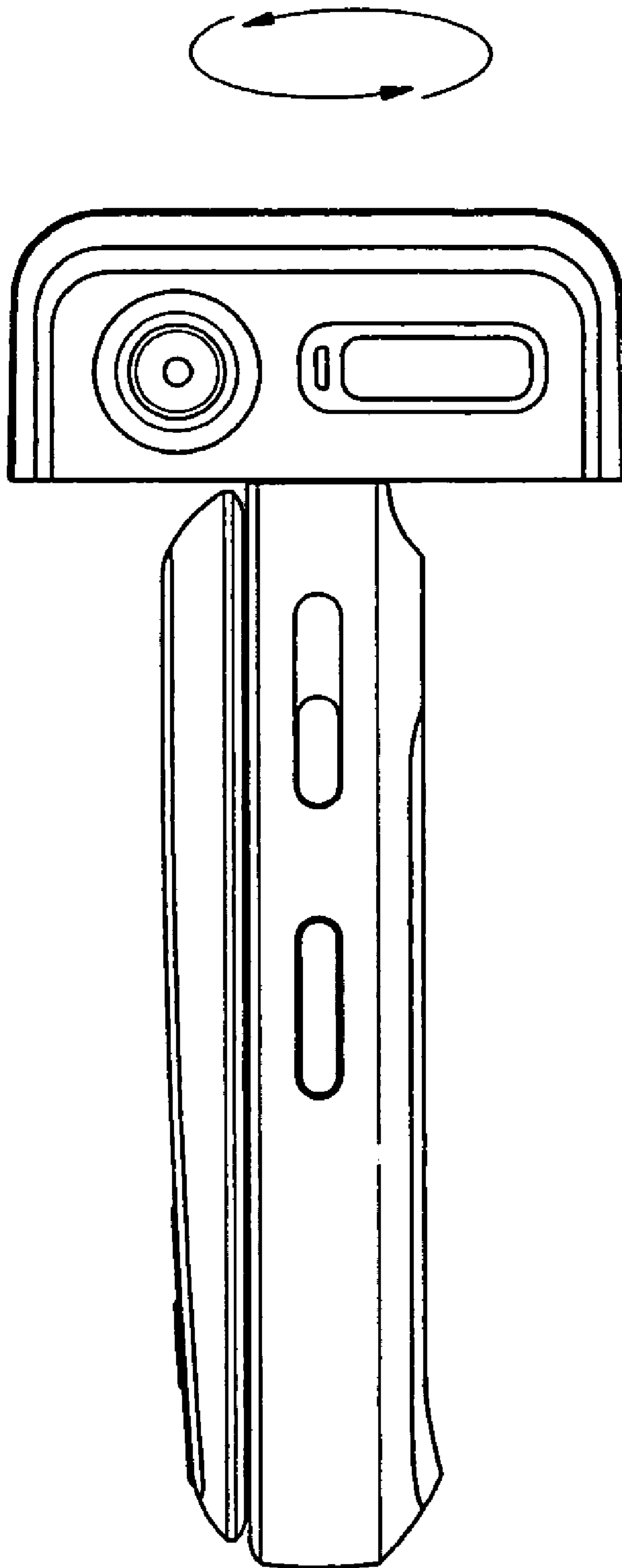
**FIGURE 6**



**FIGURE 7**



**FIGURE 8**



**FIGURE 9**