



US00D552570S

(12) **United States Design Patent**
Niitsu

(10) **Patent No.:** **US D552,570 S**

(45) **Date of Patent:** **** Oct. 9, 2007**

(54) **MONITOR TELEVISION RECEIVER**

D540,277 S * 4/2007 Kim et al. D14/126

(75) Inventor: **Takuya Niitsu**, Tokyo (JP)

FOREIGN PATENT DOCUMENTS

(73) Assignee: **Sony Corporation**, Tokyo (JP)

JP D1235516 S 4/2005

(**) Term: **14 Years**

OTHER PUBLICATIONS

(21) Appl. No.: **29/260,590**

Office Action mailed on Aug. 11, 2006 (Japan).

(22) Filed: **May 30, 2006**

* cited by examiner

(30) **Foreign Application Priority Data**

Primary Examiner—Raphael Barkai

Nov. 30, 2005 (JP) D2005-035389

(74) *Attorney, Agent, or Firm*—Rader, Fishman & Grauer PLLC

(51) **LOC (8) Cl.** **14-03**

(57) **CLAIM**

(52) **U.S. Cl.** **D14/126**

The ornamental design for a monitor television receiver, as shown and described.

(58) **Field of Classification Search** D14/125–134,
D14/239, 371, 136, 374–377; 312/7.2; 348/836,
348/838, 180, 184, 325, 739; 341/12; 248/917–924,
248/465; 345/104, 133, 156, 168, 87, 173;
720/605, 669, 600, 655; 369/99, 197; 455/344–347
See application file for complete search history.

DESCRIPTION

FIG. 1 is a perspective view of a monitor television receiver showing my new design;

(56) **References Cited**

U.S. PATENT DOCUMENTS

- D336,641 S * 6/1993 Uruma et al. D14/126
- D417,448 S * 12/1999 Takagi et al. D14/126
- D474,453 S * 5/2003 Kanatani D14/126
- D477,292 S * 7/2003 Inoue et al. D14/129
- D531,967 S * 11/2006 Chia D14/126

FIG. 2 is a front elevational view thereof;

FIG. 3 is a right side elevational view thereof;

FIG. 4 is a left side elevational view thereof;

FIG. 5 is a top plan view thereof; and,

FIG. 6 is a bottom plan view thereof.

Portions of FIGS. 1–6 that are shown as broken lines are for illustrative purpose only and form no part of the claimed design.

1 Claim, 6 Drawing Sheets

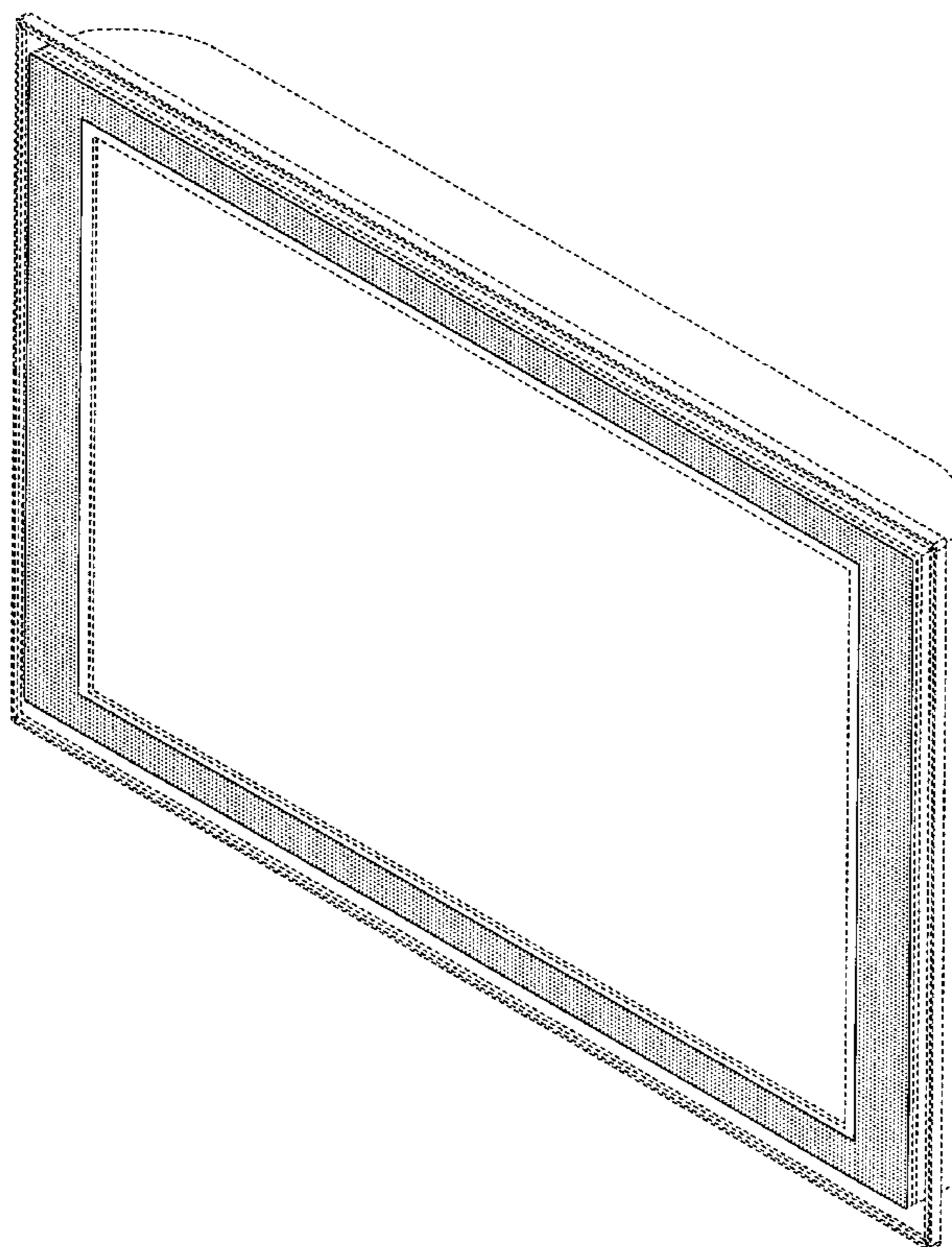


Fig. 1

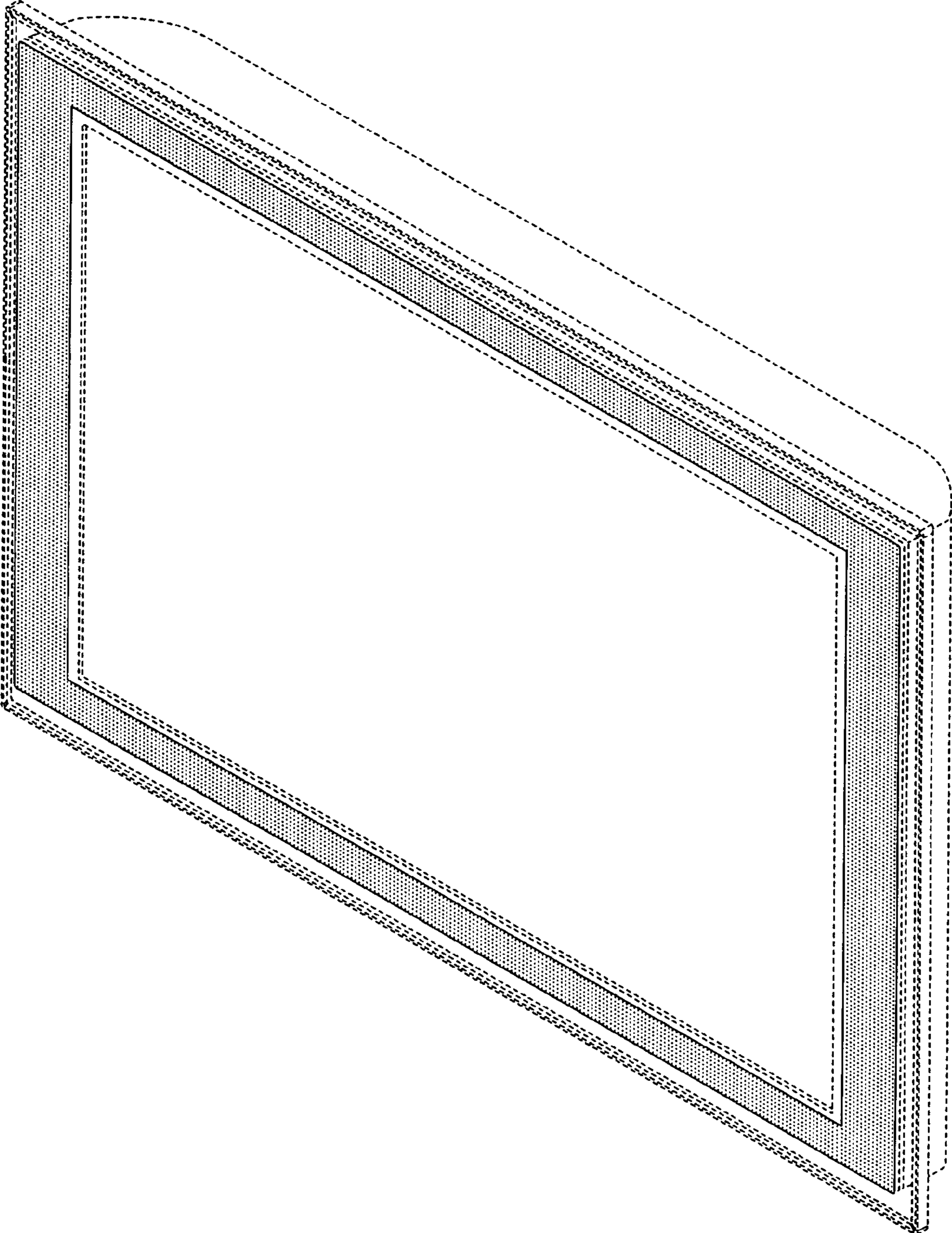


Fig.2

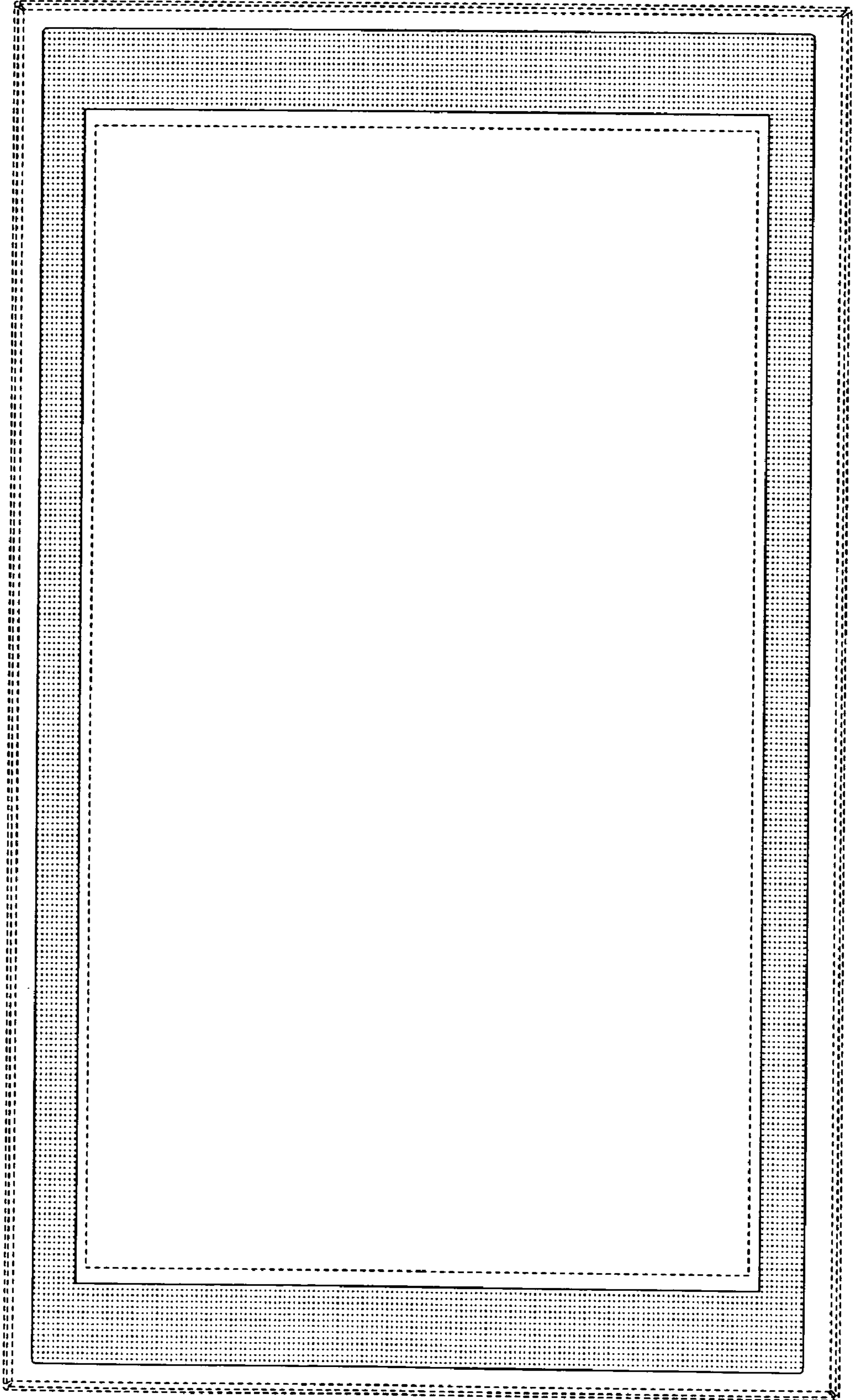


Fig.3

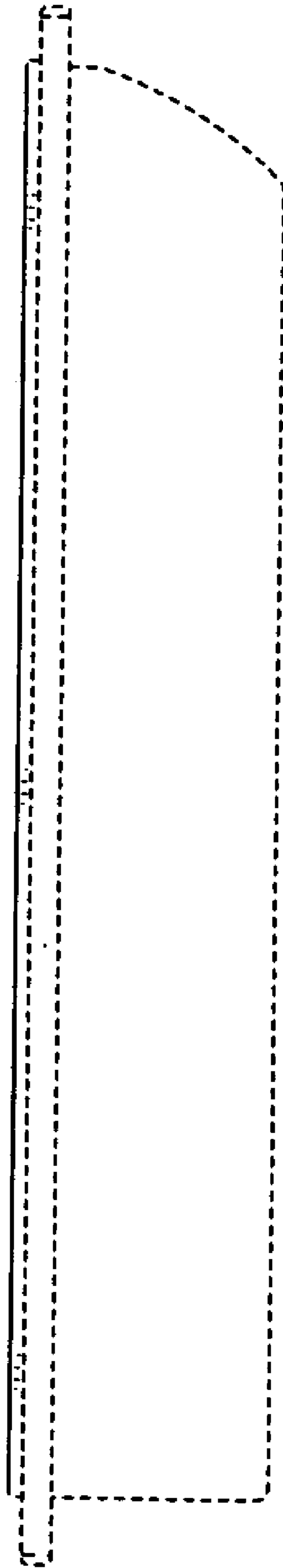


Fig.4

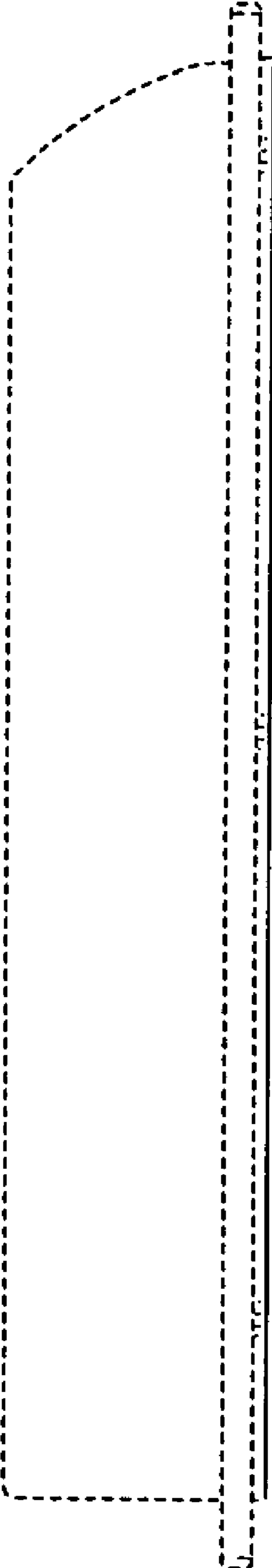


Fig.5

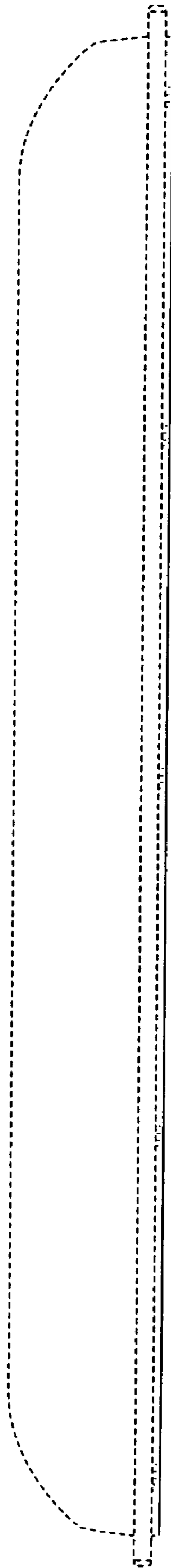


Fig.6

