



US00D552569S

(12) **United States Design Patent**
Kita

(10) **Patent No.:** **US D552,569 S**

(45) **Date of Patent:** **** Oct. 9, 2007**

(54) **TELEVISION SET**

(75) Inventor: **Toshiyuki Kita**, Osaka (JP)

(73) Assignee: **Sharp Kabushiki Kaisha**, Osaka (JP)

(**) Term: **14 Years**

(21) Appl. No.: **29/232,620**

(22) Filed: **Jun. 22, 2005**

(30) **Foreign Application Priority Data**

Dec. 22, 2004 (JP) 2004-039330

(51) **LOC (8) Cl.** **14-03**

(52) **U.S. Cl.** **D14/126**

(58) **Field of Classification Search** D14/125-134,
D14/239, 371, 136, 374-377; 312/7.2; 348/836,
348/838, 180, 184, 325, 739; 341/12; 248/917-924,
248/465; 345/104, 133, 156, 168, 87, 173;
720/605, 669, 600, 655; 369/99, 197; 455/344-347
See application file for complete search history.

(56) **References Cited**

U.S. PATENT DOCUMENTS

D424,068 S *	5/2000	Takemasa	D14/374
D427,169 S	6/2000	Saeki et al.		
D429,227 S	8/2000	Shimizu		
D431,537 S	10/2000	Saeki et al.		
D438,848 S	3/2001	Kita		
D439,224 S	3/2001	Kita		
D439,225 S	3/2001	Kita		
D453,747 S	2/2002	Kita		
D453,748 S	2/2002	Kita		
D456,370 S	4/2002	Kita		
D458,910 S	6/2002	Kita		
D462,353 S	9/2002	Kita		
D492,269 S	6/2004	Kita		

D496,915 S	10/2004	Kita	
D497,351 S	10/2004	Kita	
D497,599 S	10/2004	Kita	
D499,076 S	11/2004	Kita	
D501,186 S	1/2005	Kita	
D501,654 S	2/2005	Kita	
D502,451 S	3/2005	Kita	
D502,931 S	3/2005	Kita	
D505,123 S	5/2005	Kita	
D505,403 S	5/2005	Kita	
D540,282 S *	4/2007	Kita D14/126

OTHER PUBLICATIONS

U.S. Appl. No. 29/207,659, filed Jun. 2004, Kita.
U.S. Appl. No. 29/207,660, filed Jun. 2004, Kita.
U.S. Appl. No. 29/206,962, filed Jun. 2004, Kita.

* cited by examiner

Primary Examiner—Raphael Barkai
(74) *Attorney, Agent, or Firm*—Nixon & Vanderhye, PC

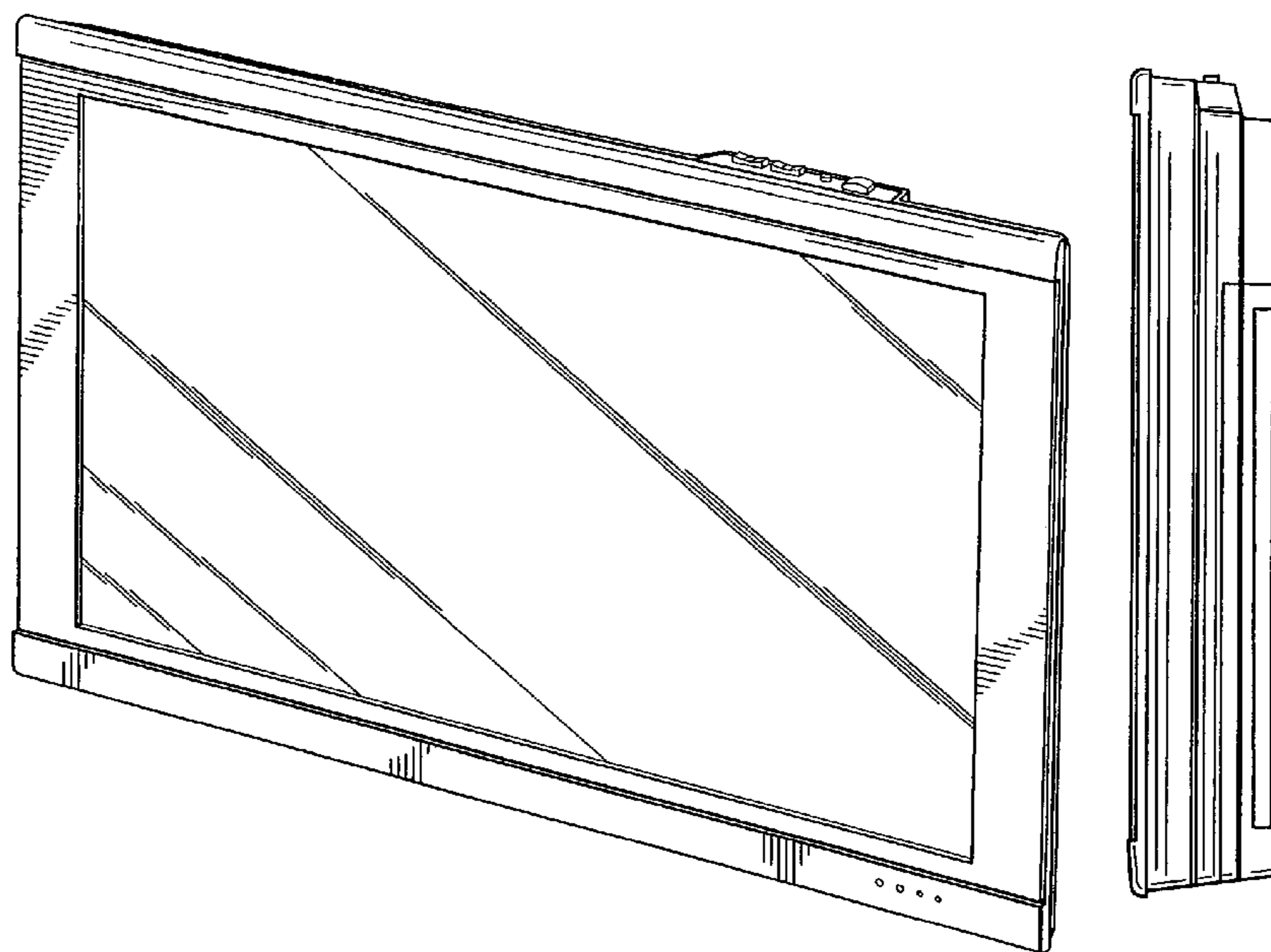
(57) **CLAIM**

The ornamental design for a “television set,” as shown and described.

DESCRIPTION

FIG. 1 is a top, front and right side perspective view of a television set according to my design;
FIG. 2 is a front elevational view thereof;
FIG. 3 is a rear elevational view thereof;
FIG. 4 is a top plan view thereof;
FIG. 5 is a bottom plan view thereof;
FIG. 6 is a right side elevational view thereof; and,
FIG. 7 is a left side elevational view thereof.

1 Claim, 5 Drawing Sheets



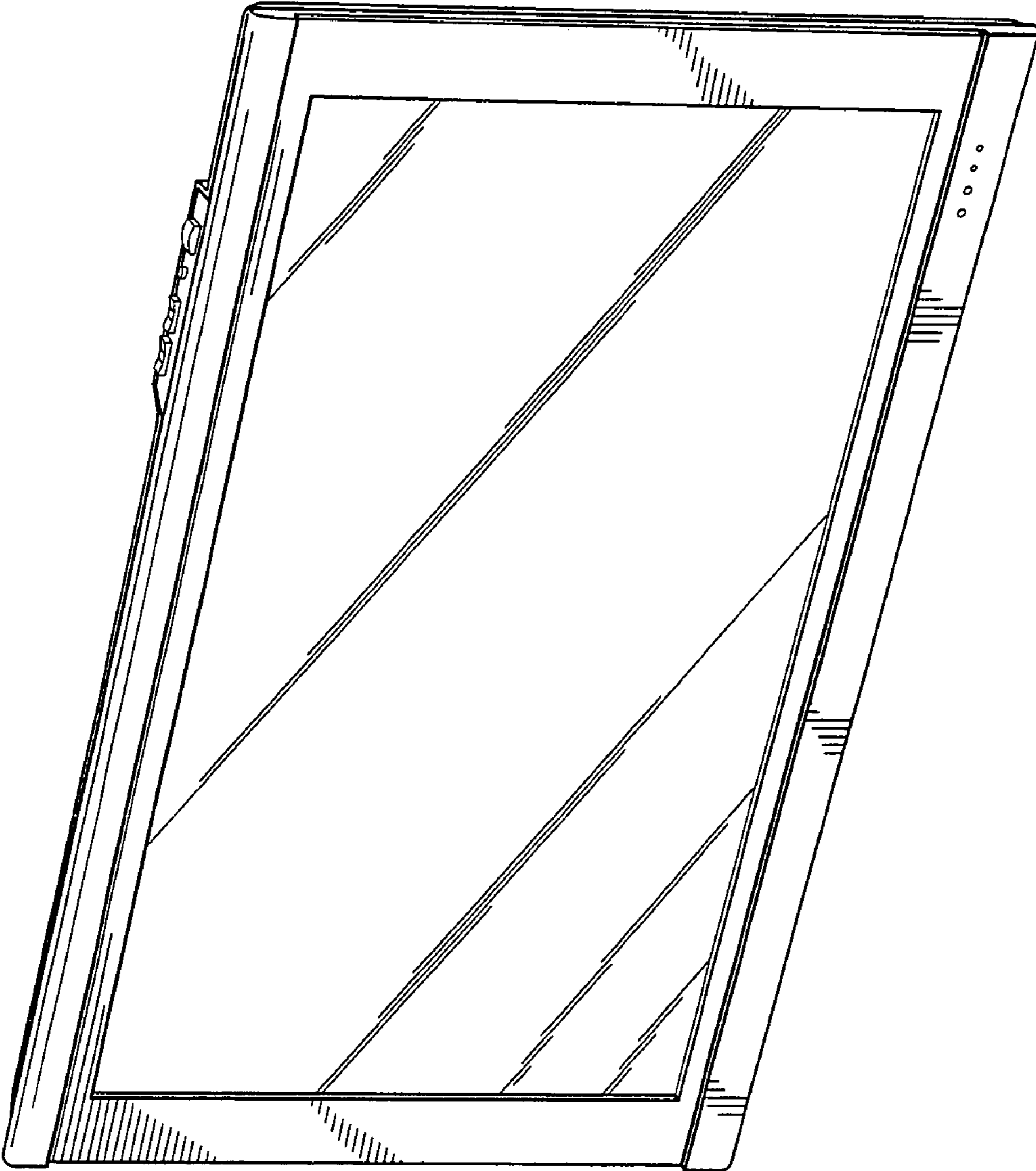


Fig. 1

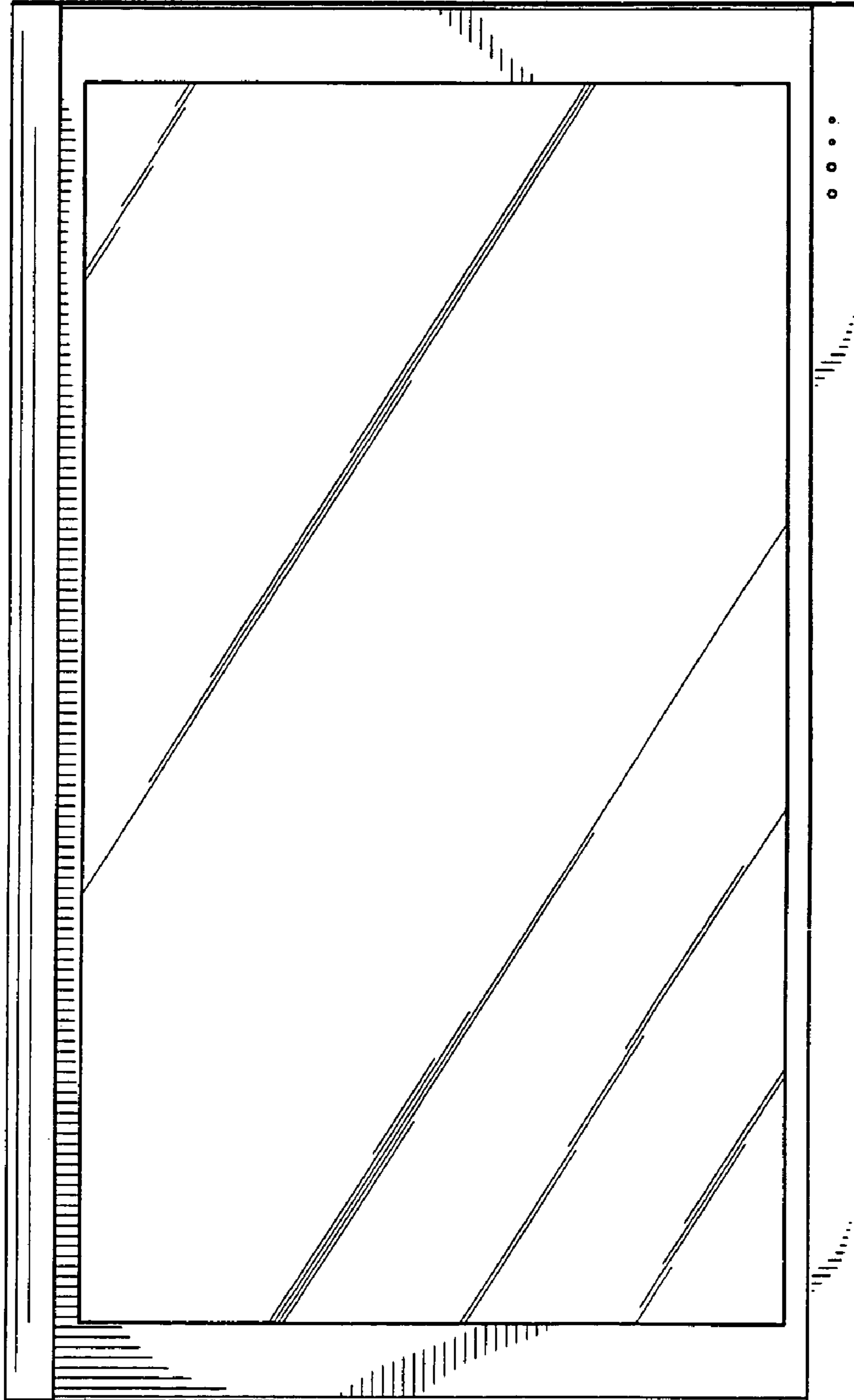


Fig. 2

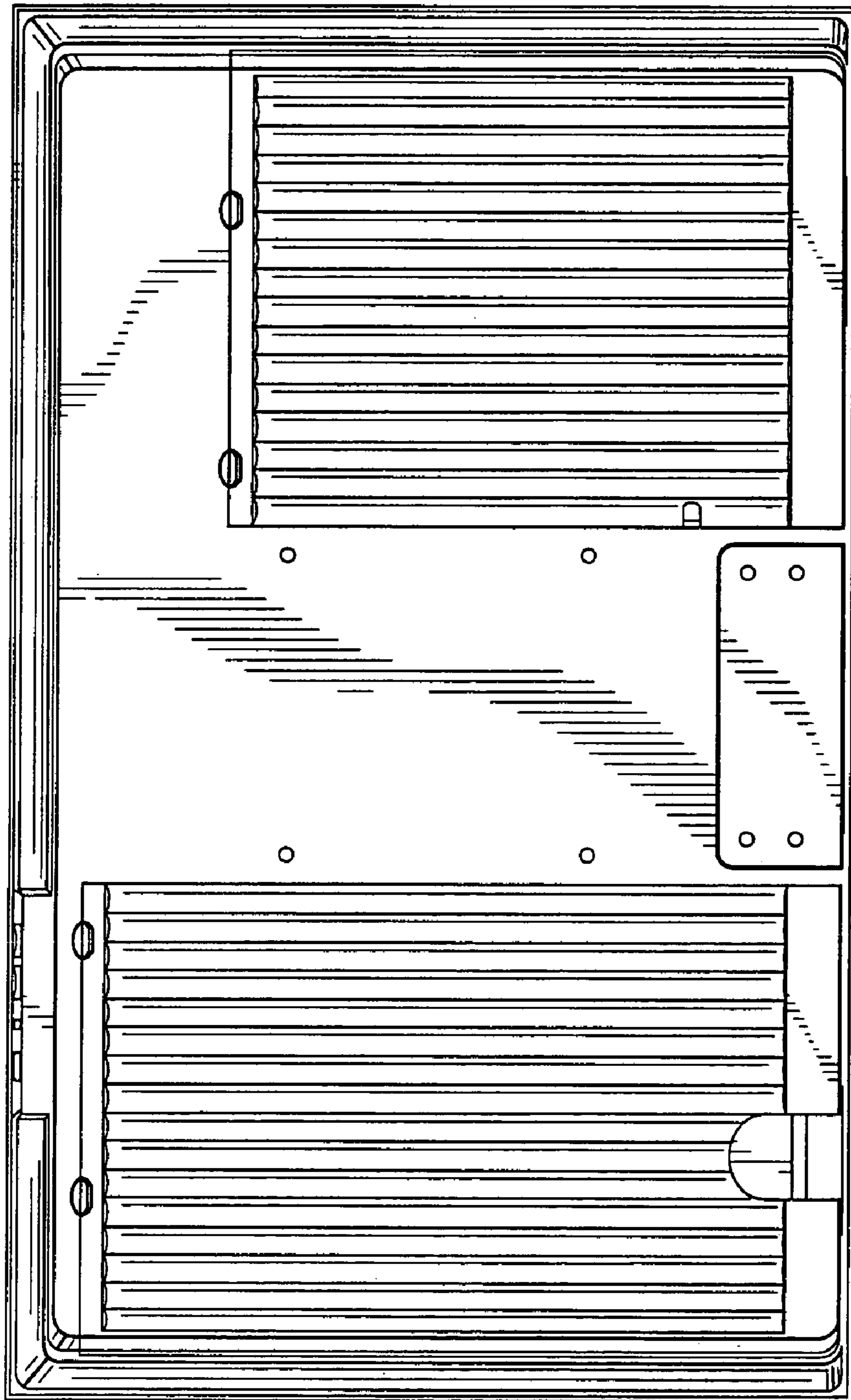


Fig. 3

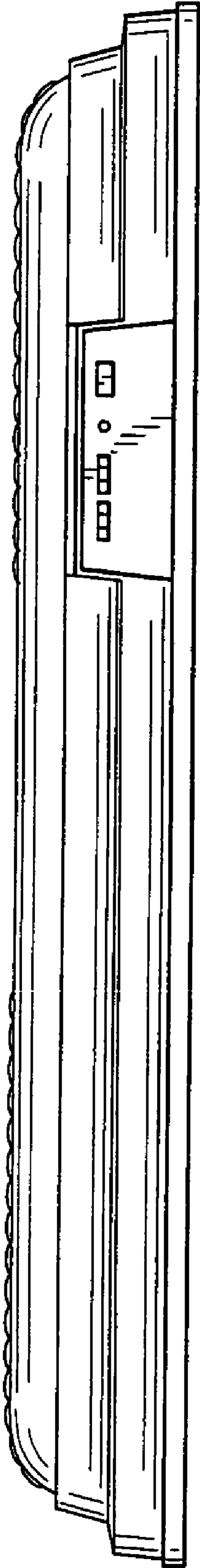


Fig. 4

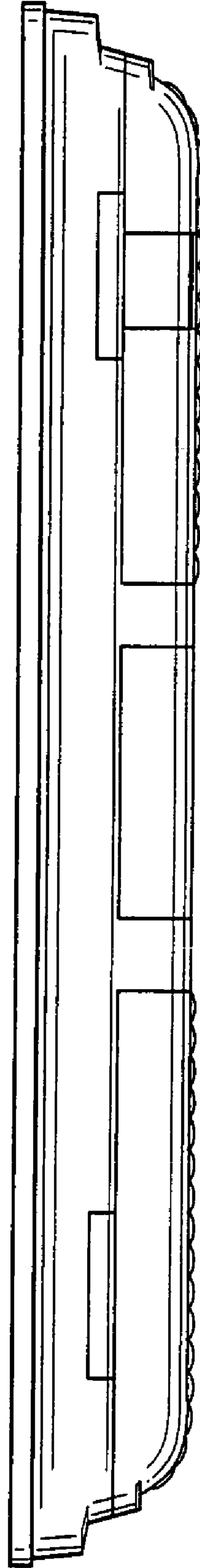


Fig. 5

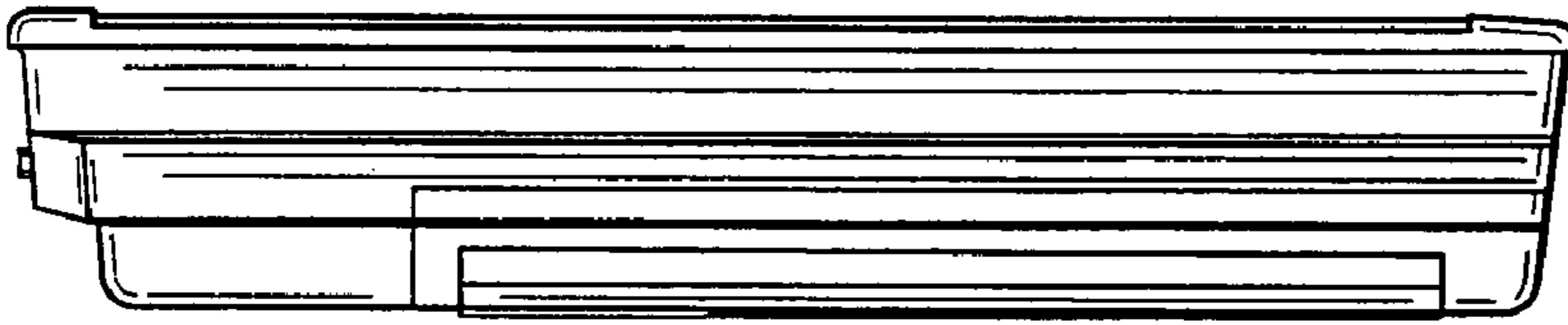


Fig. 7

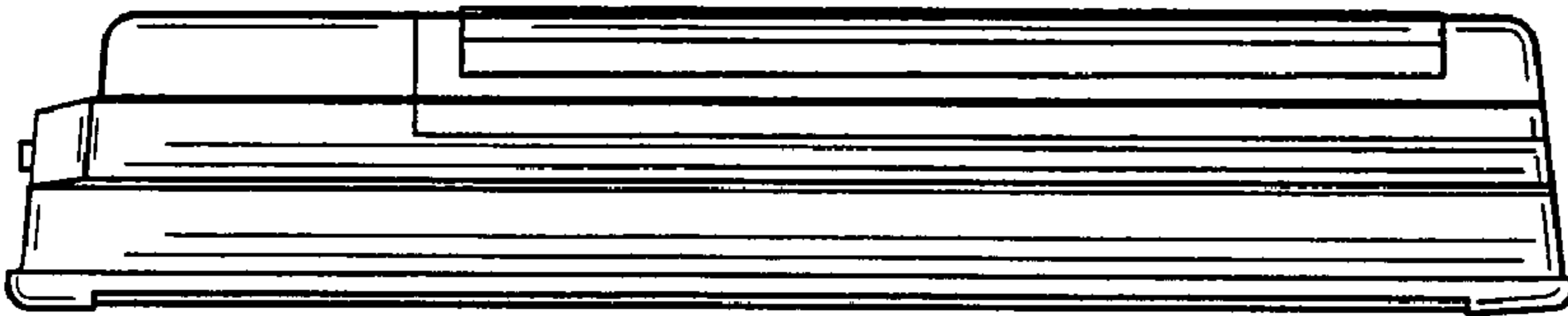


Fig. 6