



US00D552567S

(12) **United States Design Patent**
Francz

(10) **Patent No.:** **US D552,567 S**

(45) **Date of Patent:** **** Oct. 9, 2007**

(54) **SET TOP BOX**

(75) Inventor: **Steven Francz**, Boonsboro, MD (US)

(73) Assignee: **Hillcrest Laboratories, Inc.**, Rockville, MD (US)

(**) Term: **14 Years**

(21) Appl. No.: **29/270,906**

(22) Filed: **Jan. 5, 2007**

(51) **LOC (8) Cl.** **14-03**

(52) **U.S. Cl.** **D14/125**

(58) **Field of Classification Search** D14/125-134,
D14/239, 299, 356, 361-363, 365, 496, 135,
D14/136, 379, 371, 374, 375, 376, 113; 348/10,
348/460, 836, 838, 180, 184, 325, 739; 361/690-696;
312/208.1, 223.2, 7.2; D13/153, 151; 341/12;
248/917-924; 345/104, 133, 156, 168, 87,
345/173; 349/1, 2, 11, 62

See application file for complete search history.

(56) **References Cited**

U.S. PATENT DOCUMENTS

- D309,298 S * 7/1990 Pushelberg D14/242
- D323,823 S * 2/1992 Yonekura D14/125
- D400,208 S * 10/1998 Fenner D14/125
- D466,875 S * 12/2002 Kita D14/125

D508,899 S * 8/2005 Suzuki D14/125

D514,119 S * 1/2006 Tseng D14/496

D533,147 S * 12/2006 Chiu et al. D14/125

D540,818 S * 4/2007 Reawsanguanwong et al. . D14/
496

* cited by examiner

Primary Examiner—Raphael Barkai

Assistant Examiner—Randall H Gholson

(74) *Attorney, Agent, or Firm*—Potomac Patent Group
PLLC

(57) **CLAIM**

The ornamental design for a set top box, as shown.

DESCRIPTION

FIG. 1 is a left front perspective view of a set top box showing my design;

FIG. 2 is a right front perspective view thereof;

FIG. 3 is a front view thereof;

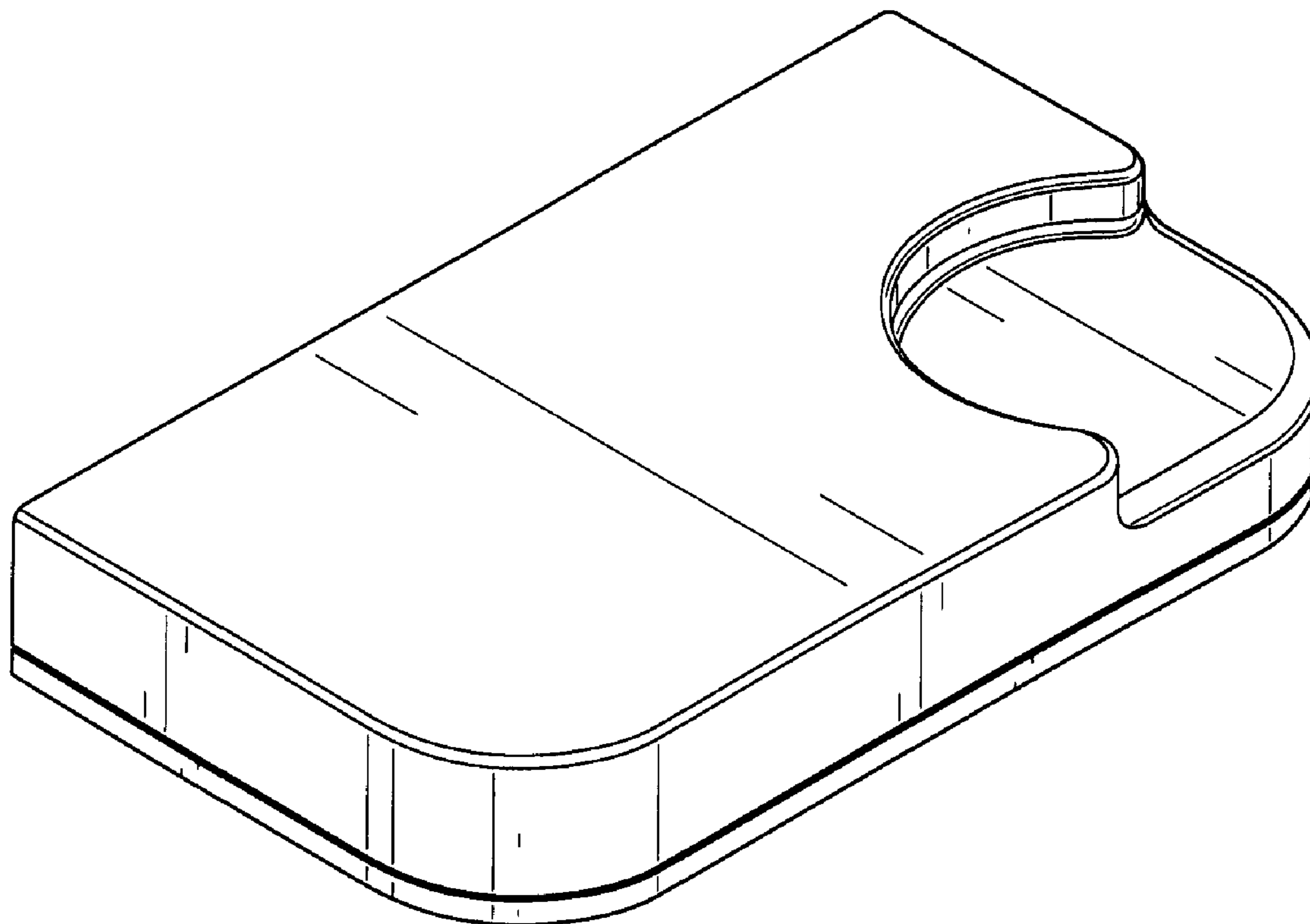
FIG. 4 is a left side view thereof;

FIG. 5 is a right side view thereof;

FIG. 6 is a top view thereof; and,

FIG. 7 is a bottom view thereof.

1 Claim, 6 Drawing Sheets



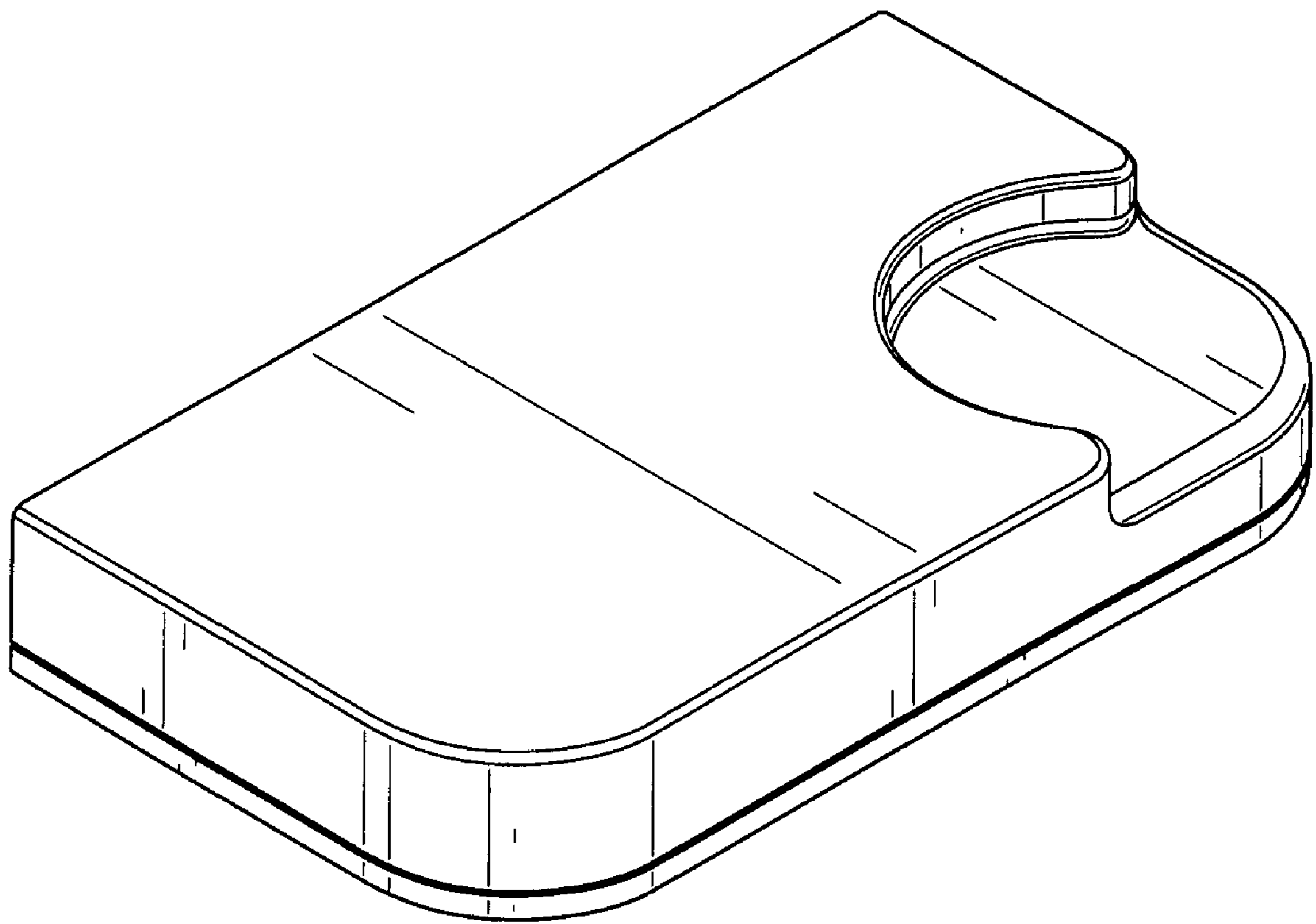


FIG. 1

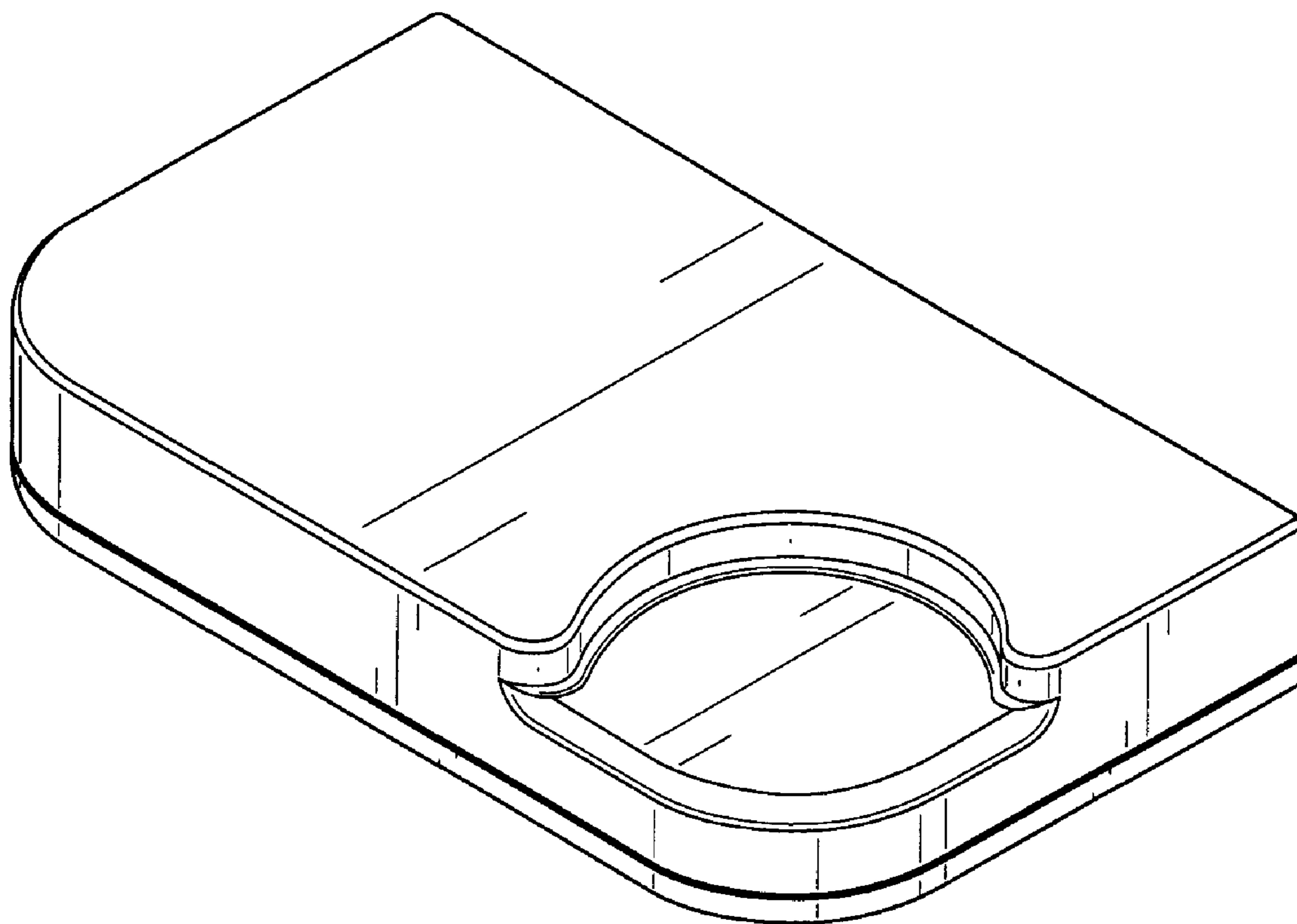


FIG. 2

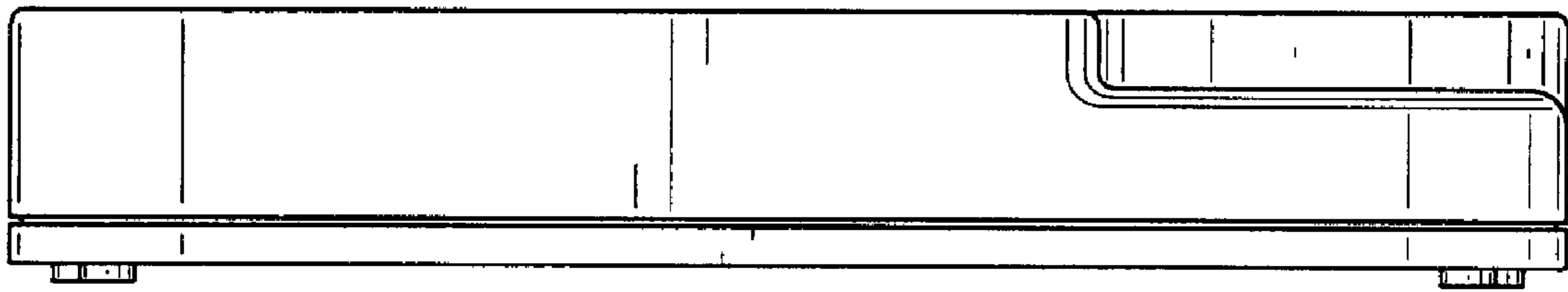


FIG. 3

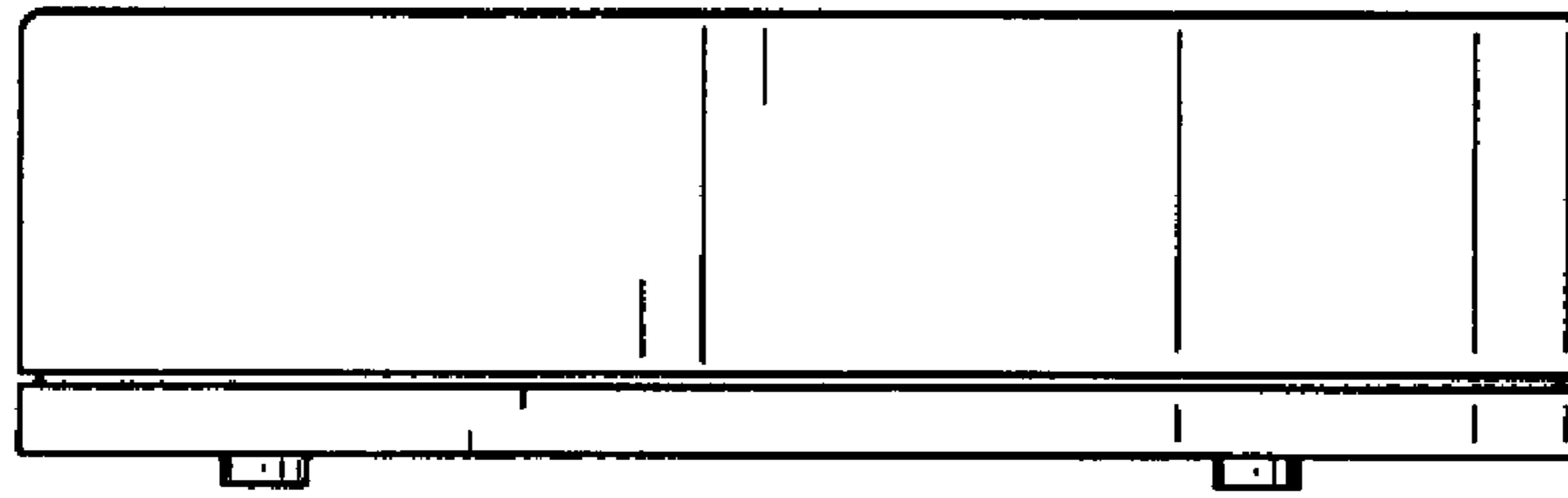


FIG. 4

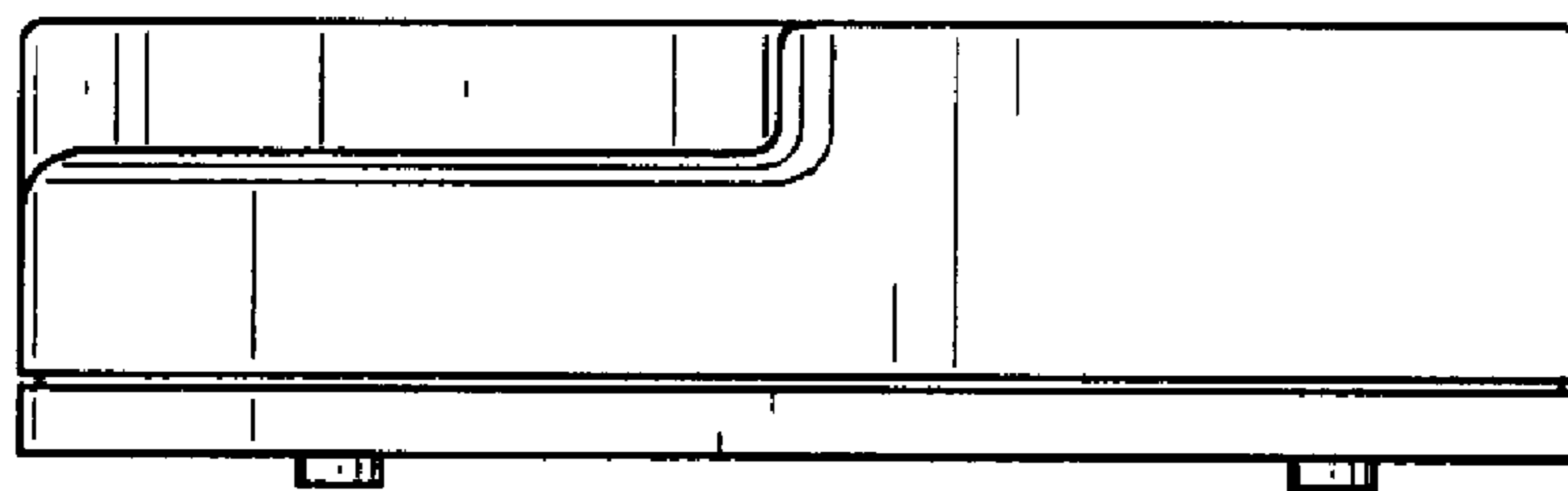


FIG. 5

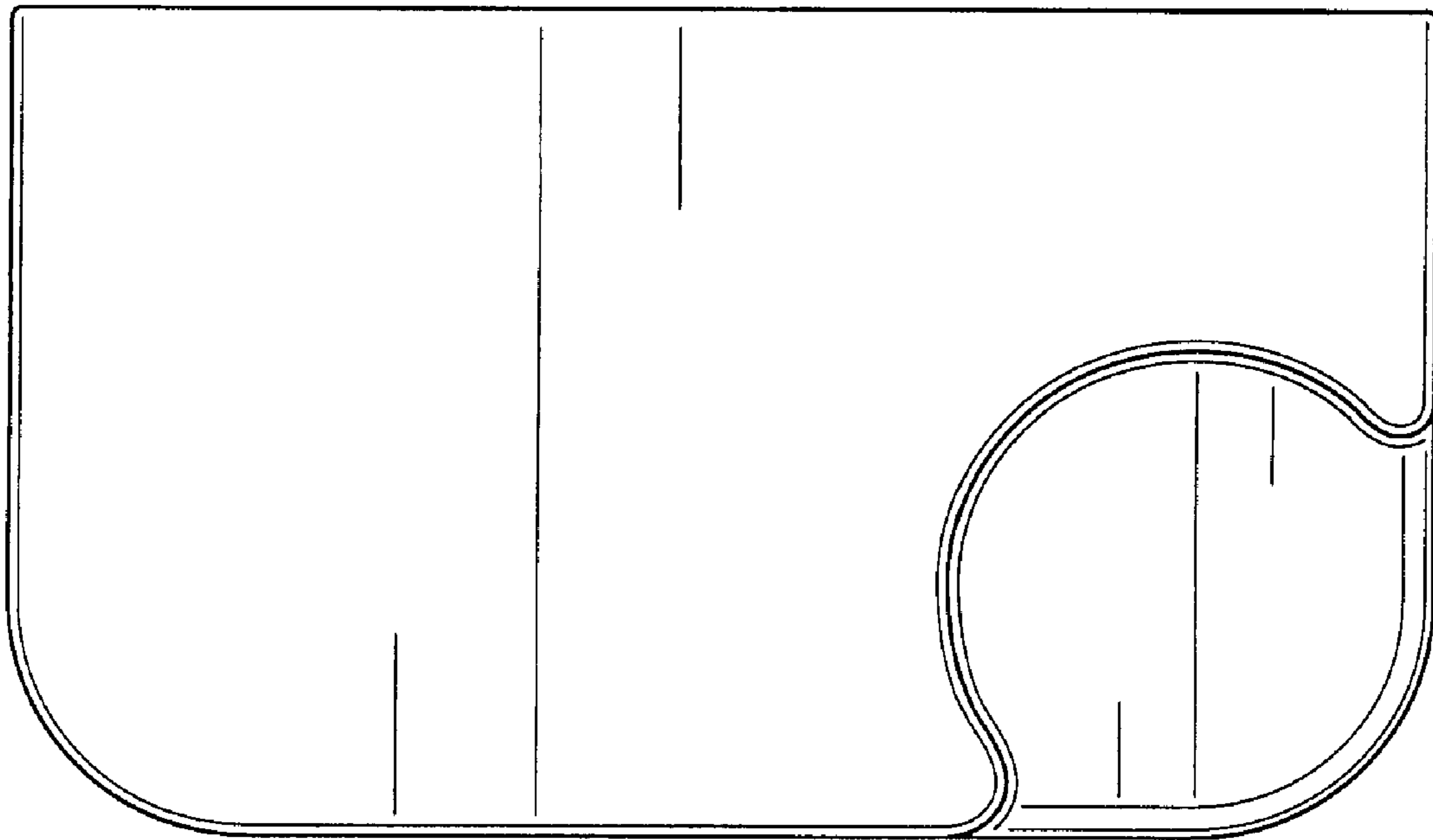


FIG. 6

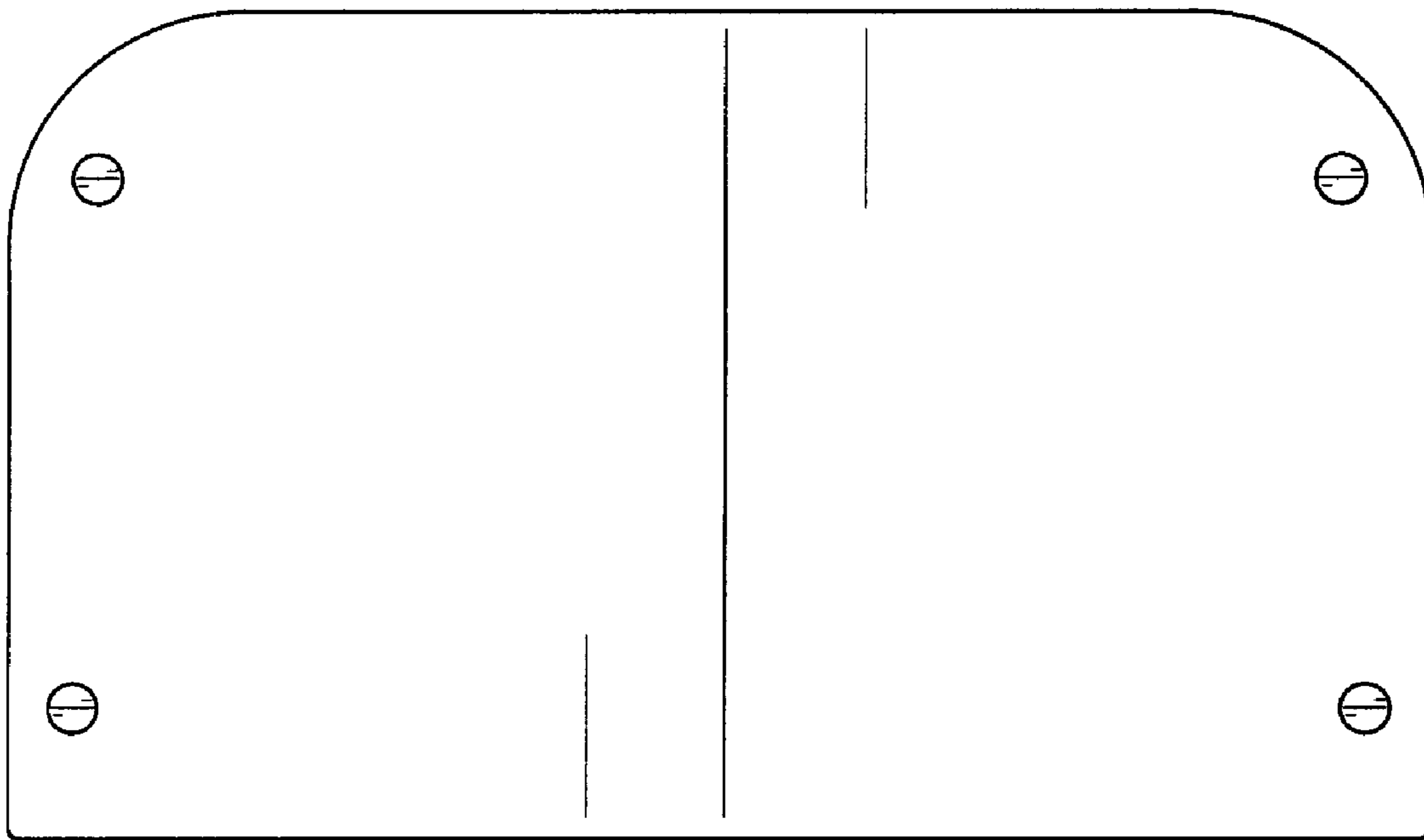


FIG. 7