



US00D552564S

(12) **United States Design Patent** (10) **Patent No.:** **US D552,564 S**
Mochizuki (45) **Date of Patent:** **** Oct. 9, 2007**

(54) **HEAT SINK** 2006/0060332 A1* 3/2006 Wang et al. 165/104.33

(75) Inventor: **Masataka Mochizuki**, Tokyo (JP) * cited by examiner

(73) Assignee: **Fujikura Ltd.**, Tokyo (JP) *Primary Examiner*—Selina Sikder
(74) *Attorney, Agent, or Firm*—Sughrue Mion, PLLC

(**) Term: **14 Years**

(21) Appl. No.: **29/260,752**

(22) Filed: **Jun. 1, 2006**

(51) **LOC (8) Cl.** **13-03**

(52) **U.S. Cl.** **D13/179**

(58) **Field of Classification Search** D13/179;
165/80.3, 104.33, 151, 122, 185; 257/706,
257/707, 718–722; 361/687, 695, 697, 700,
361/702, 704, 709, 710, 711, 719
See application file for complete search history.

(56) **References Cited**

U.S. PATENT DOCUMENTS

D466,871 S *	12/2002	Lee	D13/179
6,657,862 B2 *	12/2003	Crocker et al.	361/697
6,671,172 B2 *	12/2003	Carter et al.	361/697
6,714,415 B1 *	3/2004	Shah	361/704
2002/0046826 A1 *	4/2002	Kao	165/104.33
2003/0131970 A1 *	7/2003	Carter et al.	165/80.3
2004/0045702 A1 *	3/2004	Barsun	165/185
2005/0056399 A1 *	3/2005	Ku et al.	165/80.3
2005/0061480 A1 *	3/2005	Carter et al.	165/80.3

(57) **CLAIM**

The ornamental design for a heat sink, as shown and described.

DESCRIPTION

FIG. 1 is the perspective view of the top, front and left side of a heat sink showing our new design;

FIG. 2 is the front elevational view thereof;

FIG. 3 is the left elevational view thereof;

FIG. 4 is the top plan view thereof;

FIG. 5 is the bottom plan view thereof;

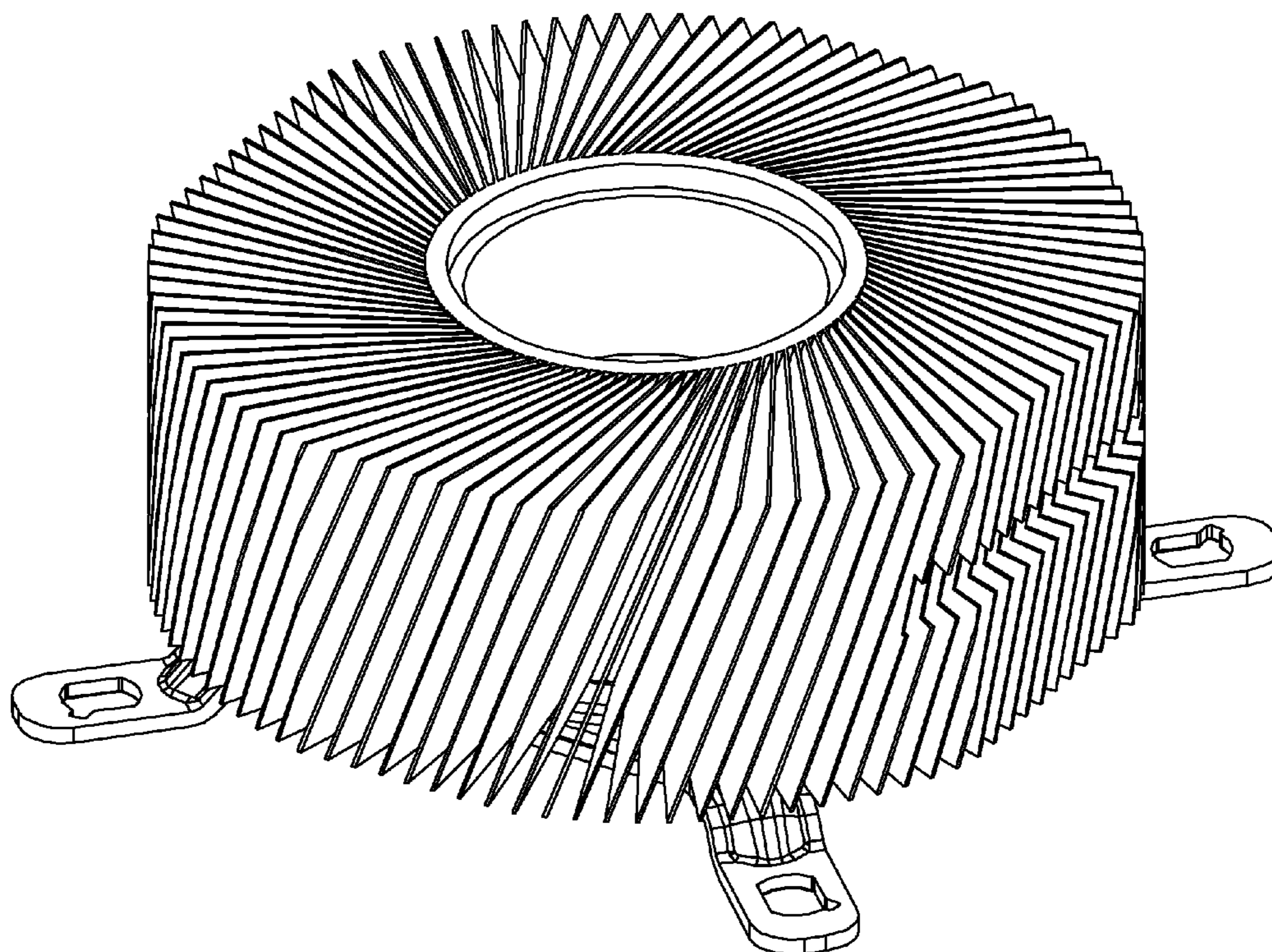
FIG. 6 is the section view of FIG. 4 along the line VI—VI thereof; and,

FIG. 7 is the section view of FIG. 4 along the line VII—VII.

The right elevational view is the same as the left elevational view.

The back elevational view is the same as the front elevational view.

1 Claim, 7 Drawing Sheets



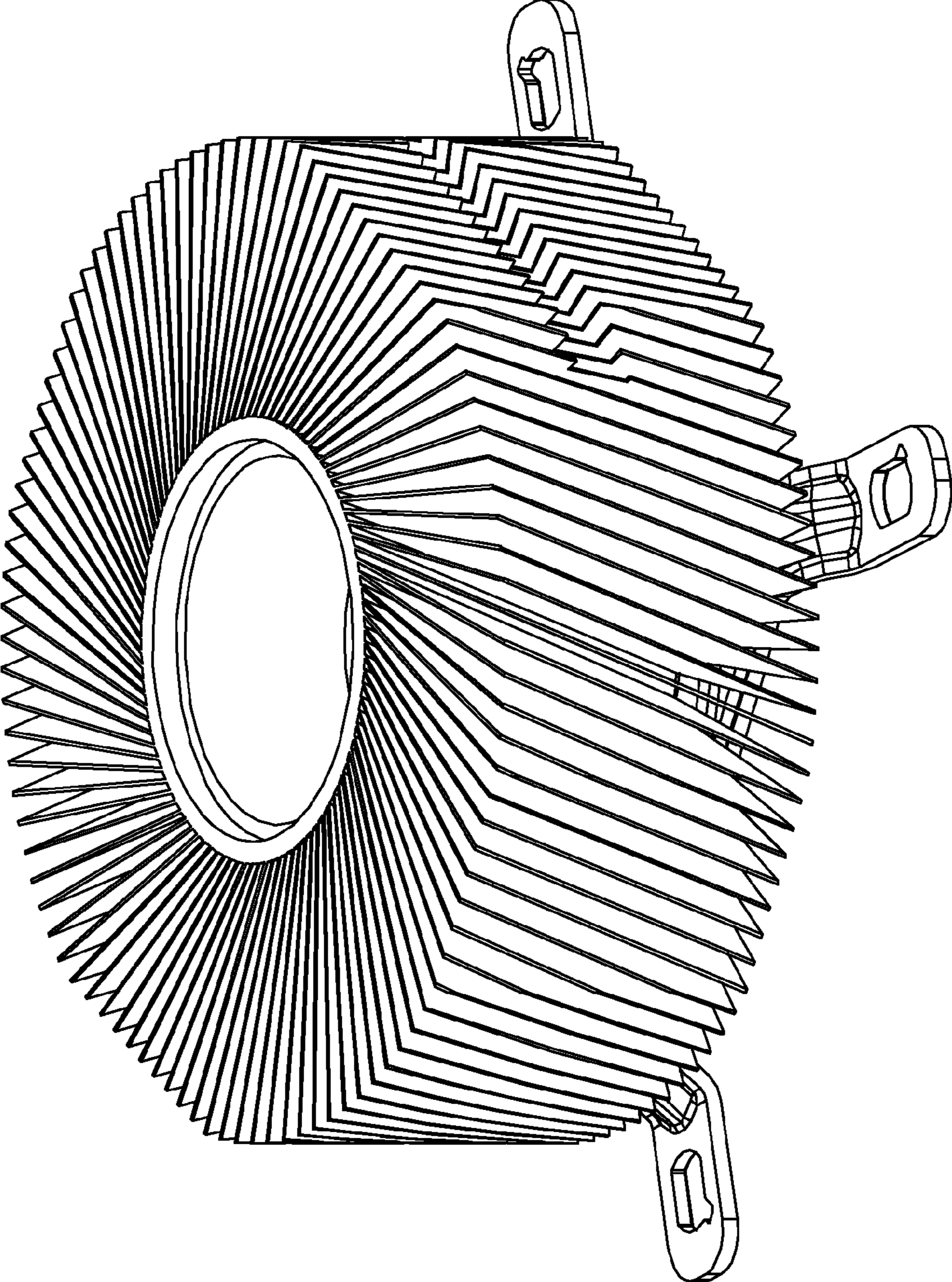


FIG.1

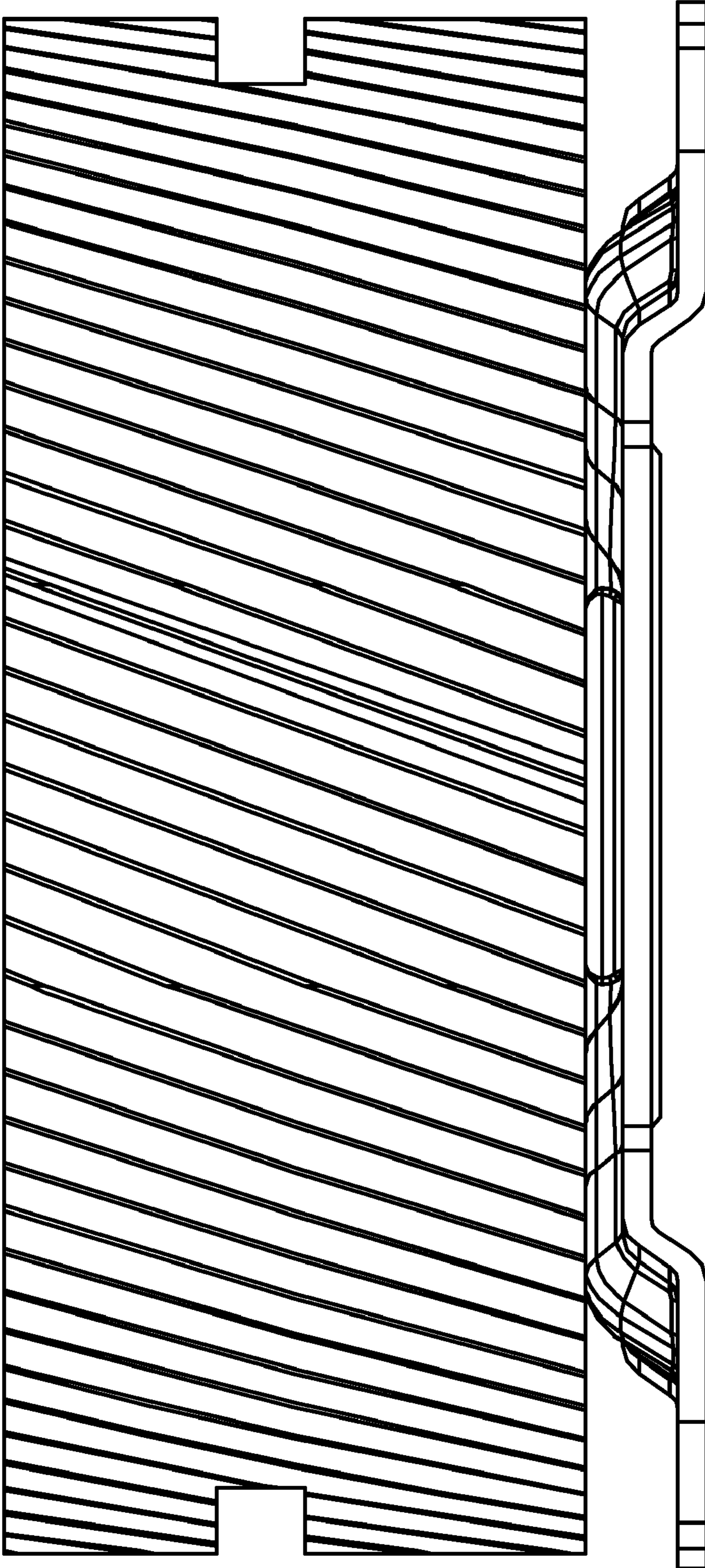


FIG. 2

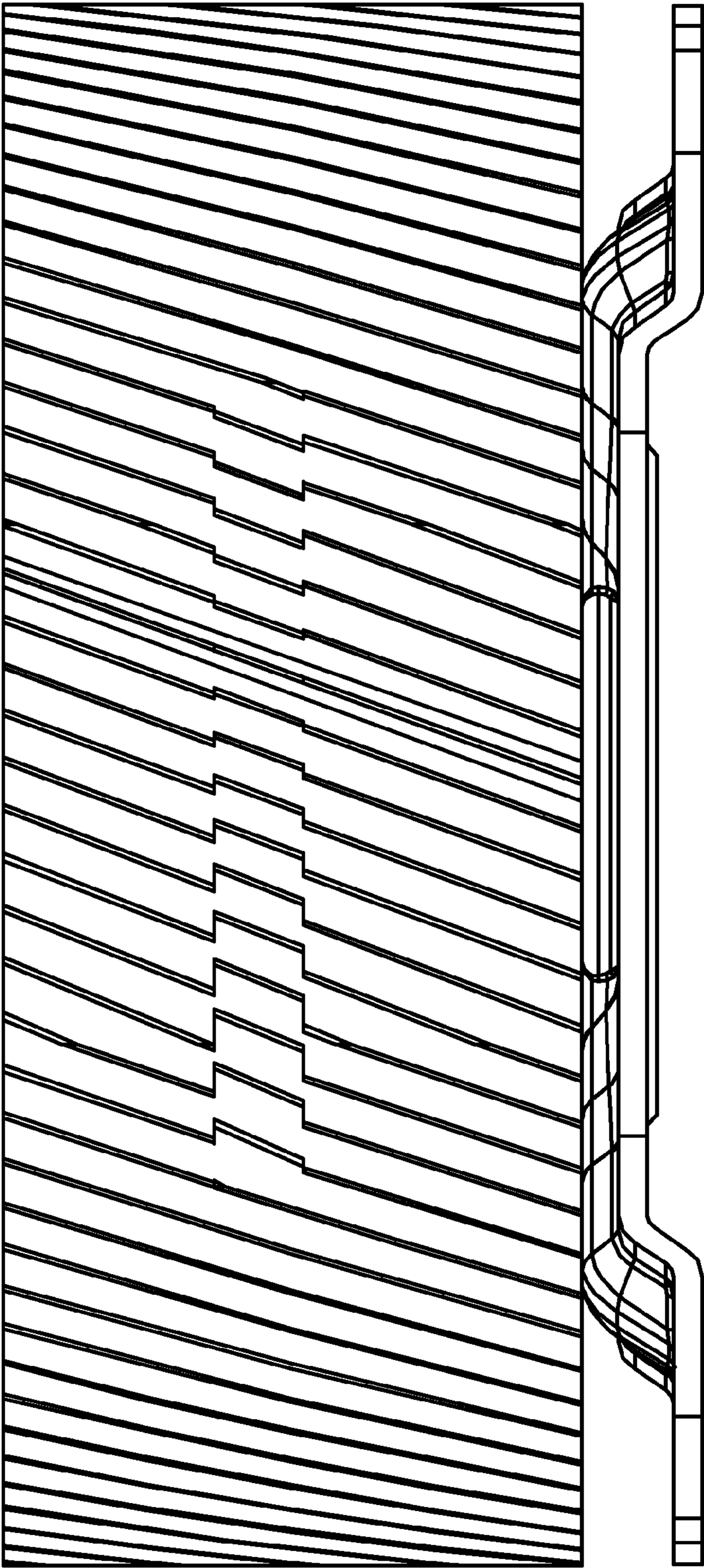


FIG. 3

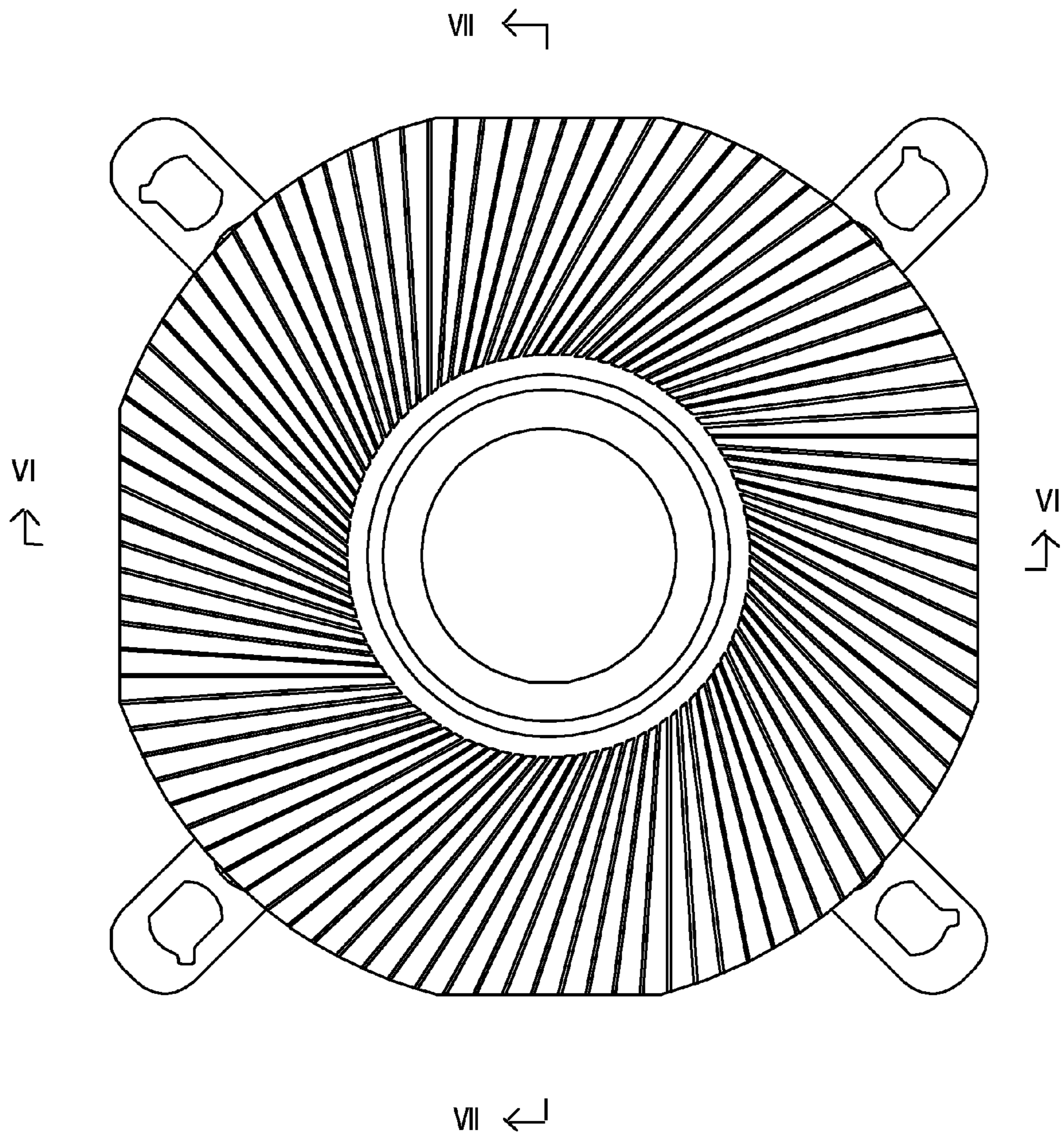


FIG.4

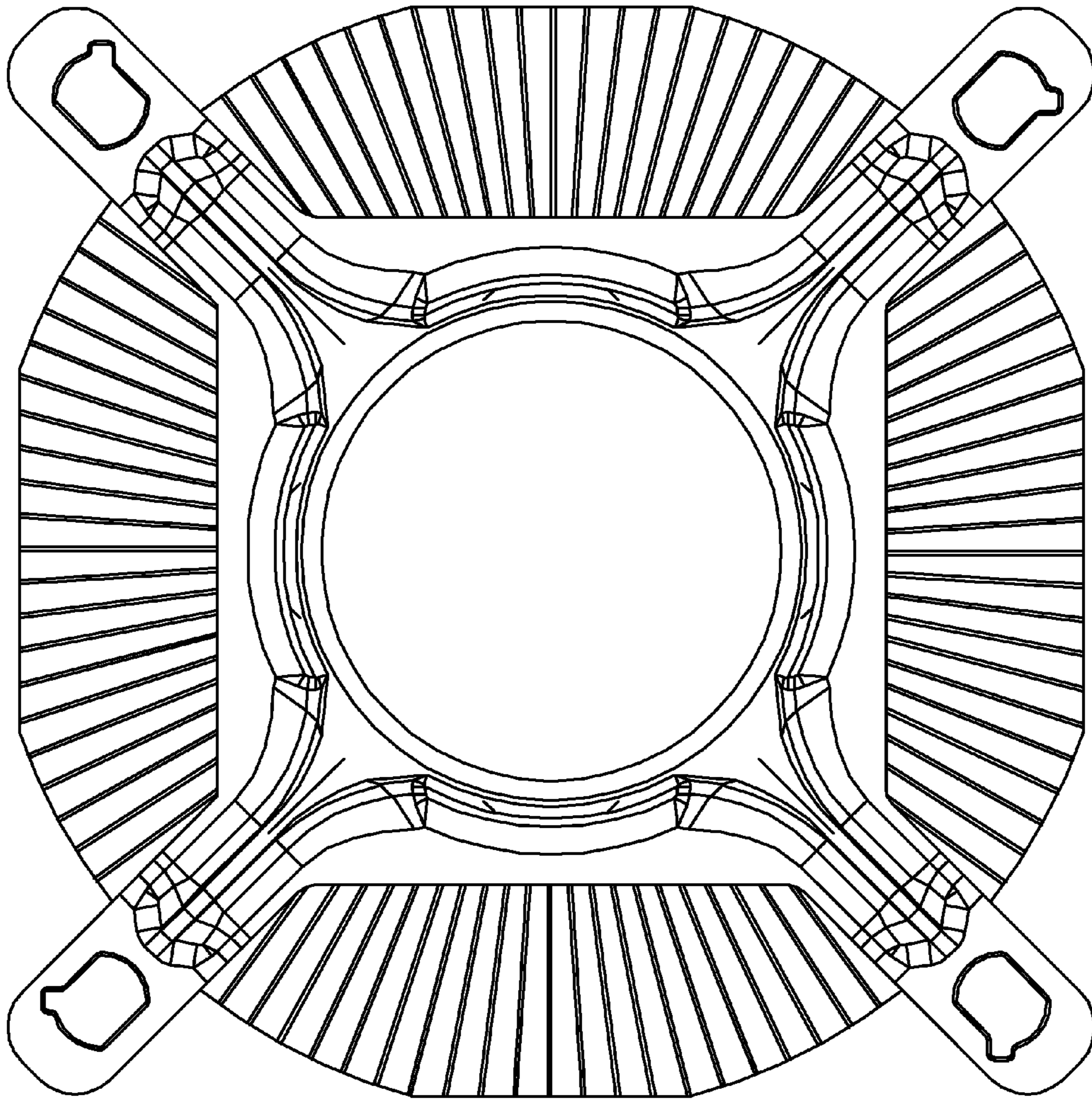


FIG.5

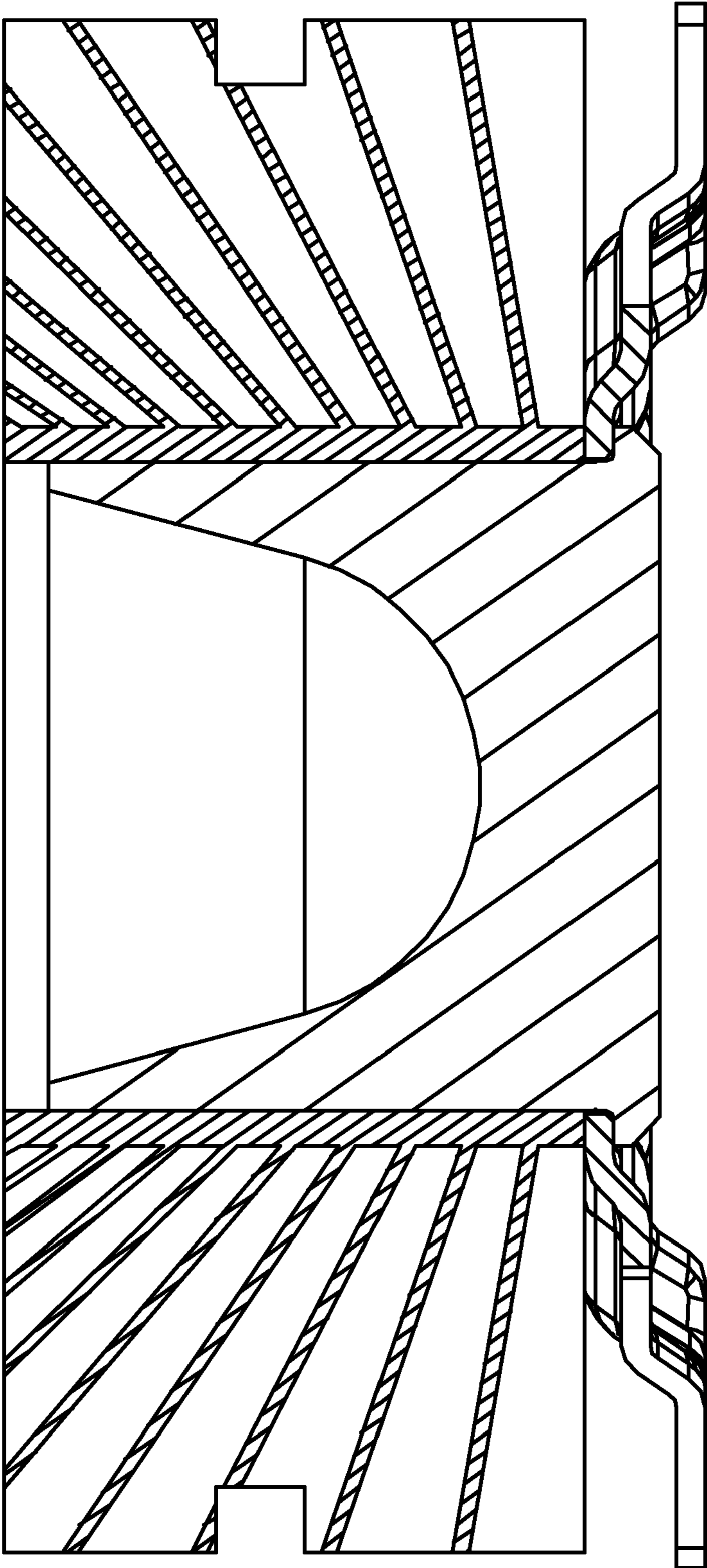


FIG. 6

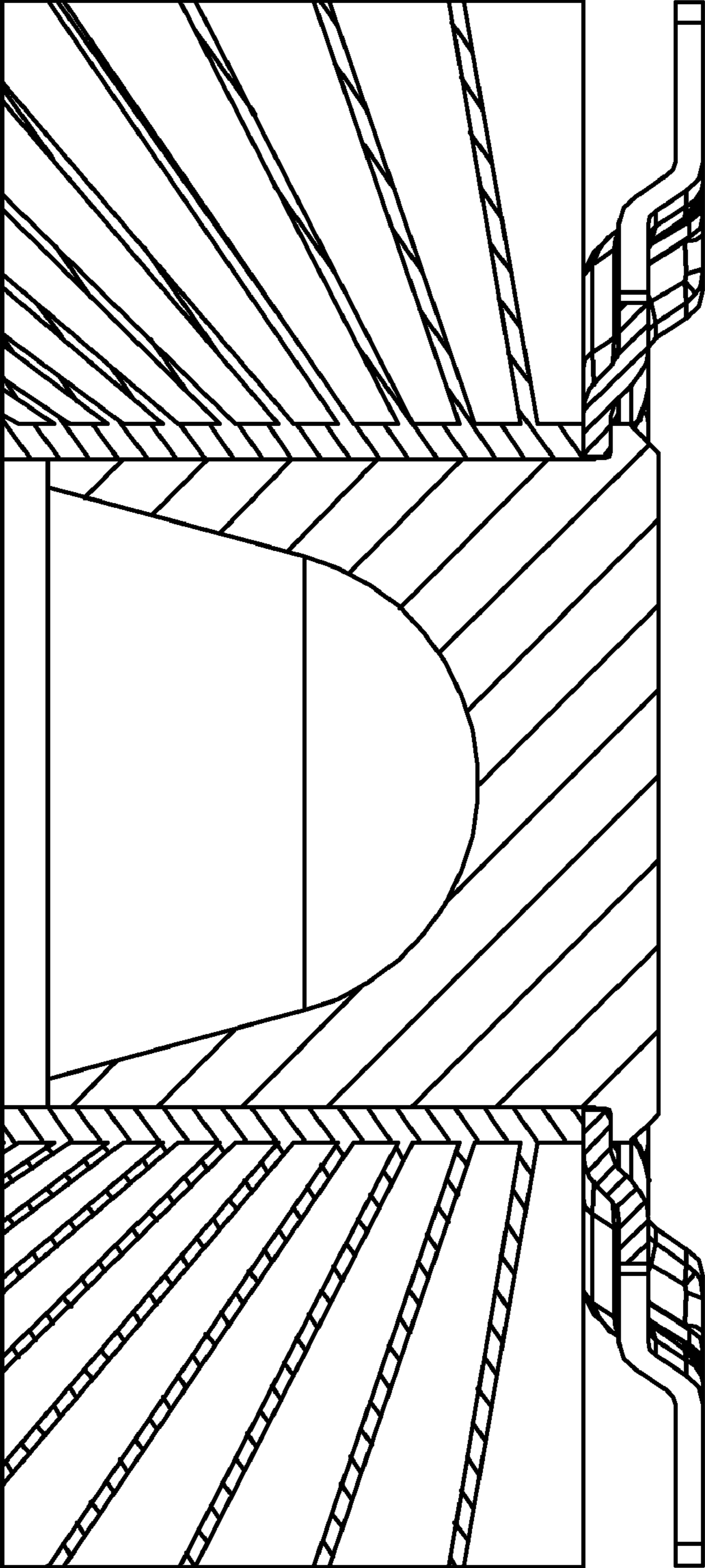


FIG. 7