



US00D552563S

(12) **United States Design Patent**
Pratt

(10) **Patent No.:** **US D552,563 S**

(45) **Date of Patent:** **** Oct. 9, 2007**

(54) **PANEL**

(75) **Inventor:** **Ross Gregory Pratt, Auckland (NZ)**

(73) **Assignee:** **BEP Marine Limited (NZ)**

(**) **Term:** **14 Years**

(21) **Appl. No.:** **29/244,273**

(22) **Filed:** **Dec. 8, 2005**

(30) **Foreign Application Priority Data**

Jun. 8, 2005 (NZ) 406297

(51) **LOC (8) Cl.** **13-03**

(52) **U.S. Cl.** **D13/177**

(58) **Field of Classification Search** D13/158-184;
D10/49; D14/441, 496; D18/41; D26/26;
D3/218

See application file for complete search history.

(56) **References Cited**

U.S. PATENT DOCUMENTS

- D94,808 S * 3/1935 Addams D13/177
- D153,305 S * 4/1949 Patten D13/177
- D258,953 S * 4/1981 Mac D13/177
- D262,261 S * 12/1981 Schumacher et al. D13/164
- D320,410 S * 10/1991 Gotham D18/41
- D367,430 S * 2/1996 Greenberg et al. D10/49
- D371,123 S * 6/1996 Amundsen D14/441
- D392,943 S * 3/1998 Bouteiller D13/159
- D398,587 S * 9/1998 Pratt D13/164
- D400,187 S * 10/1998 Bryant D13/177
- D429,829 S * 8/2000 Doran D26/26
- D432,094 S * 10/2000 Mowery D13/177
- D432,999 S * 10/2000 Wong et al. D13/177

- D450,664 S * 11/2001 Smith D13/177
- D462,669 S * 9/2002 Schnackenberg et al. .. D13/177
- D475,681 S * 6/2003 Ho D13/118
- D475,979 S * 6/2003 Valiga et al. D13/162
- D484,467 S * 12/2003 de Leon D13/168
- D488,134 S * 4/2004 Pratt D13/164
- D493,146 S * 7/2004 Brett et al. D13/164
- D497,618 S * 10/2004 Andre et al. D14/496
- D518,290 S * 4/2006 Andre et al. D3/218
- D520,465 S * 5/2006 Guercio D13/177
- D529,449 S * 10/2006 Pratt D13/171
- D529,871 S * 10/2006 Butler et al. D13/164
- D538,822 S * 3/2007 Andre et al. D14/496

* cited by examiner

Primary Examiner—Stella Reid

Assistant Examiner—Thomas Johannes

(74) *Attorney, Agent, or Firm*—Quarles & Brady LLP

(57) **CLAIM**

The ornamental design for a panel, as shown and described.

DESCRIPTION

FIG. 1 is a top, front and side perspective view of a panel showing my new design;

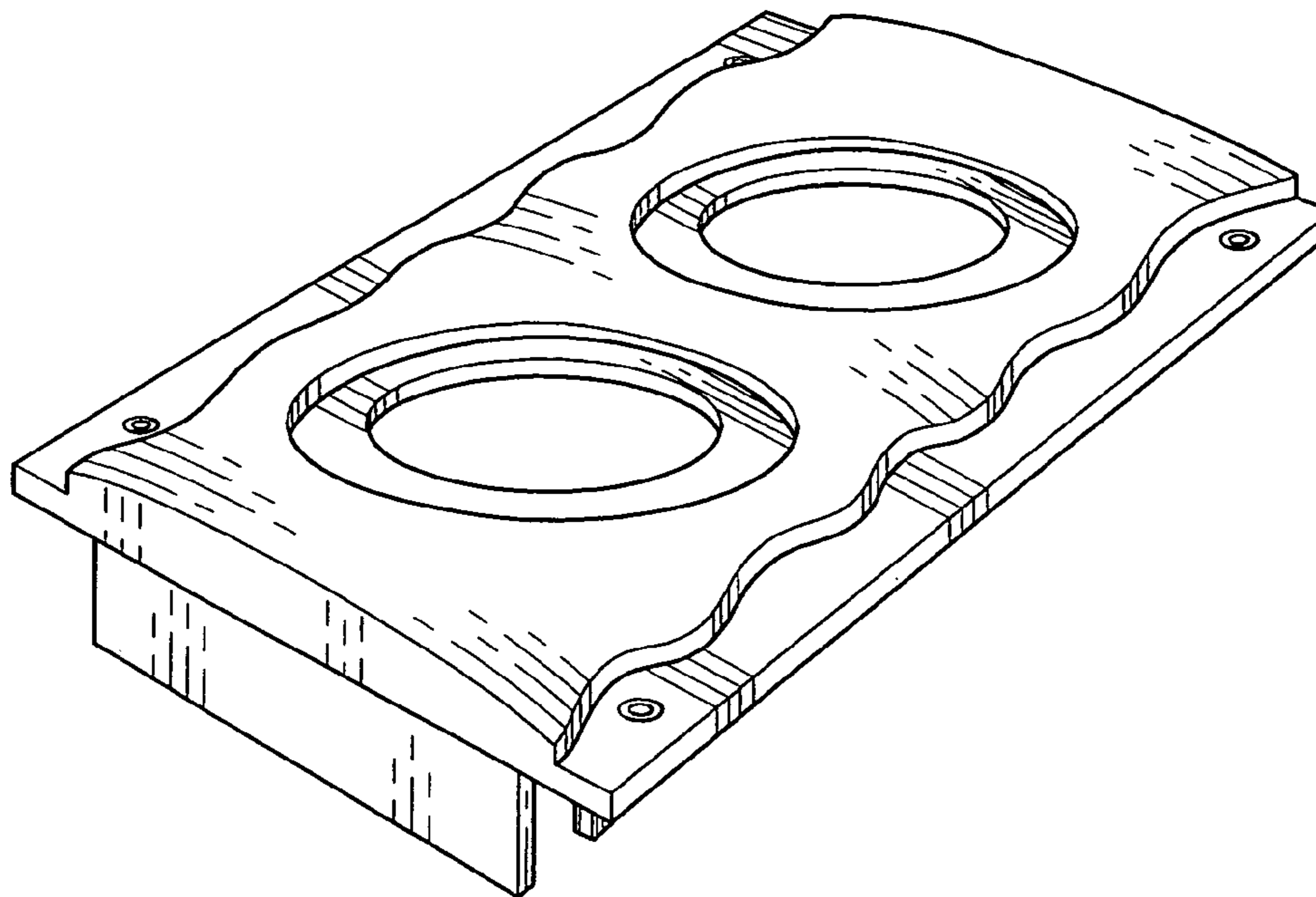
FIG. 2 is a top plan view thereof;

FIG. 3 is a side elevational view thereof from the right of FIG. 2, a side elevational view thereof from the left of FIG. 2 being identical thereto;

FIG. 4 is a front elevational view thereof, the rear elevational view being identical thereto; and,

FIG. 5 is a bottom plan view thereof.

1 Claim, 2 Drawing Sheets



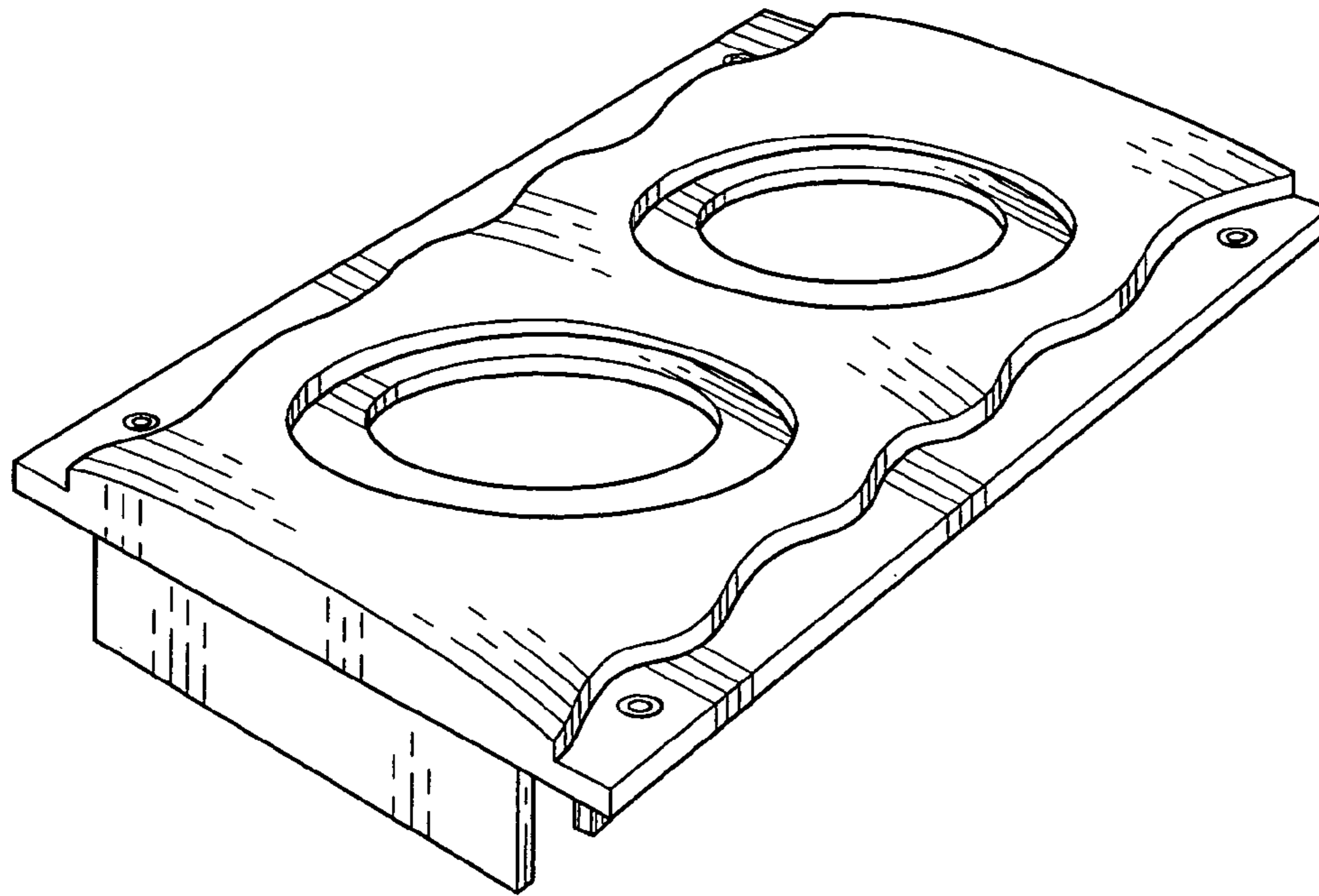


Figure 1

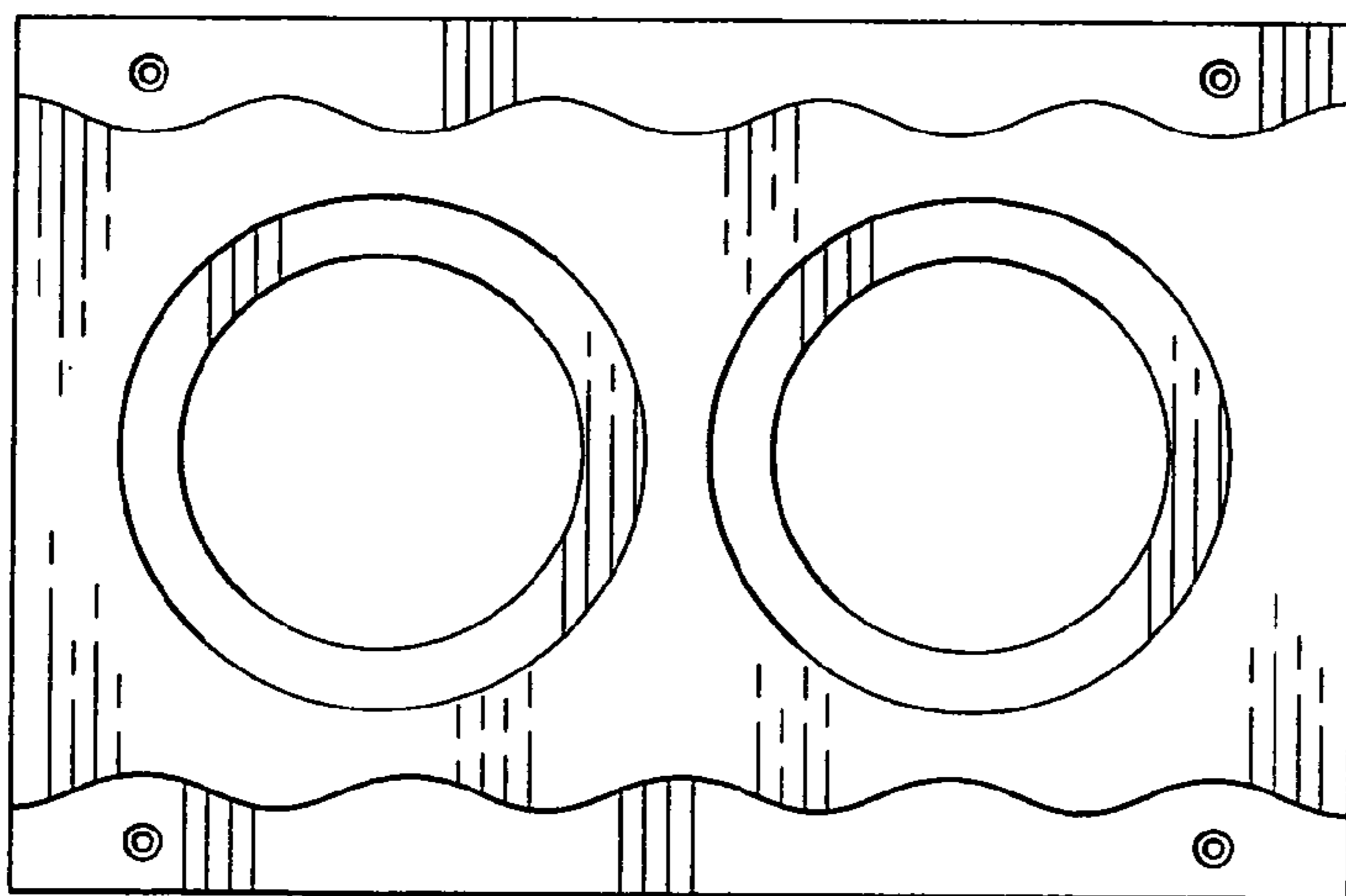


Figure 2



Figure 3

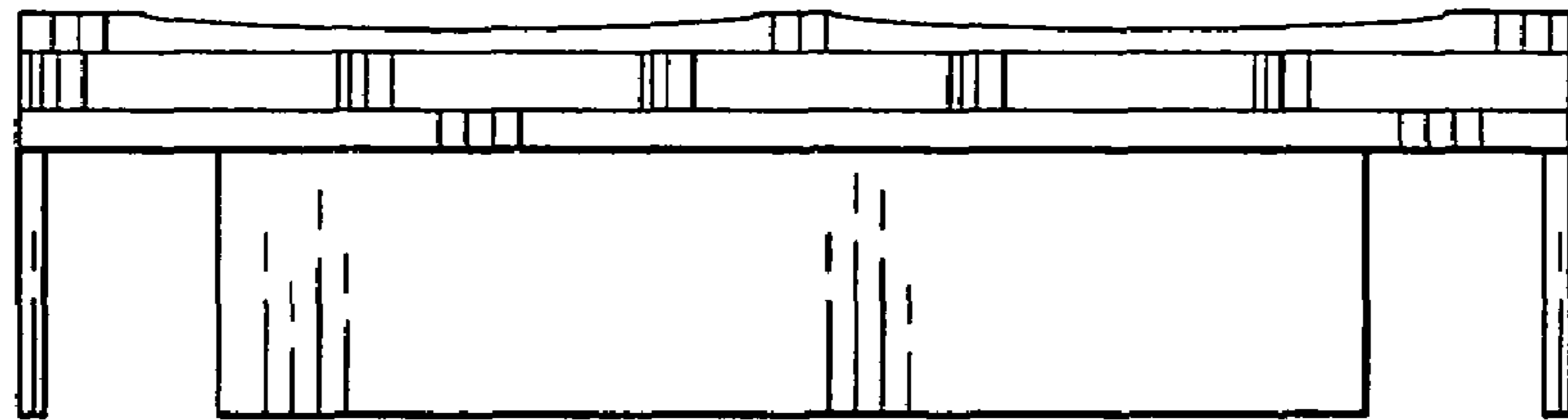


Figure 4

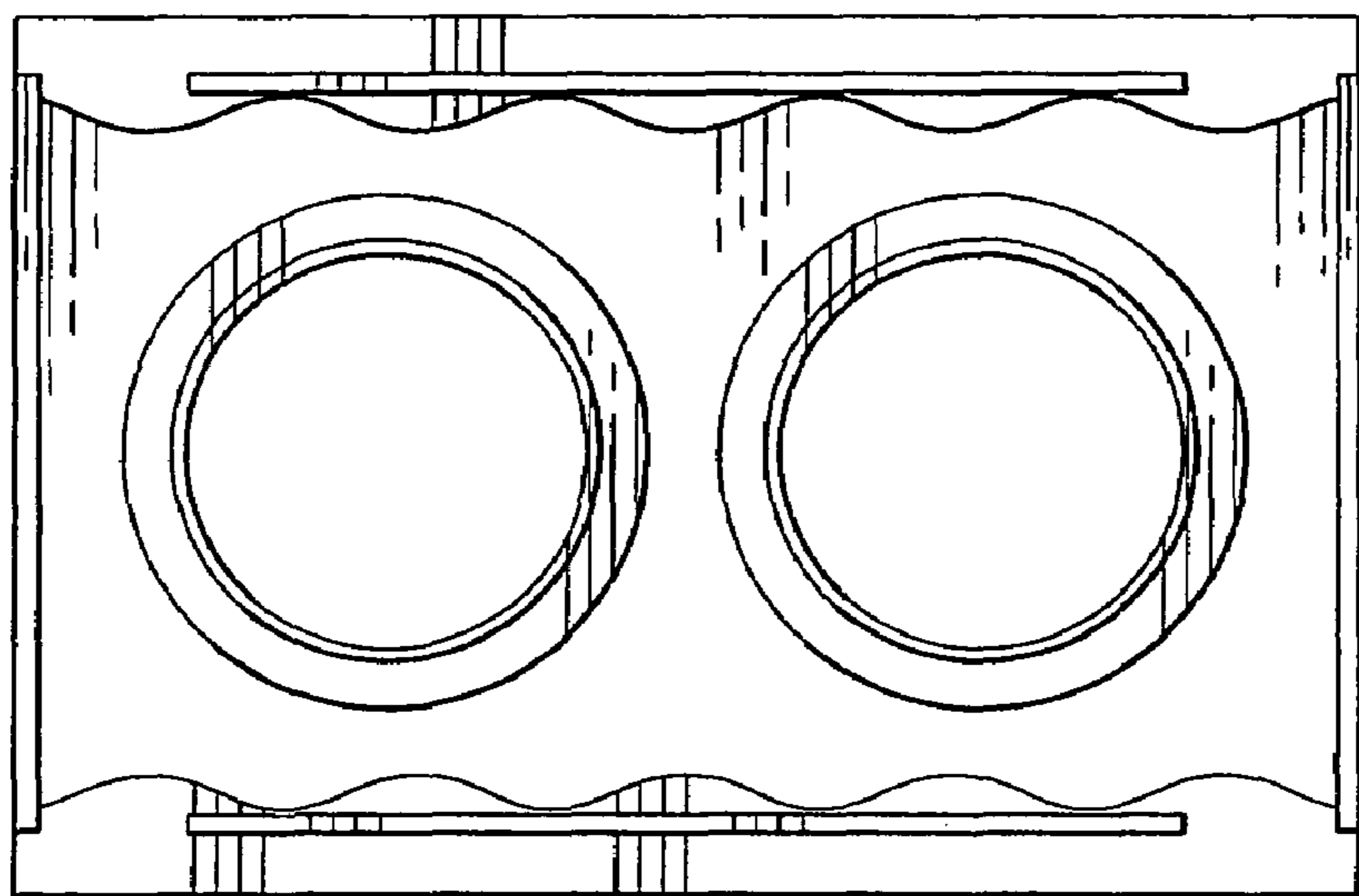


Figure 5