



US00D552561S

(12) **United States Design Patent**
Otsuka et al.

(10) **Patent No.:** **US D552,561 S**

(45) **Date of Patent:** **** Oct. 9, 2007**

(54) **GAS INSULATED SWITCHGEAR**

(75) Inventors: **Takuya Otsuka**, Tokyo (JP); **Hitoshi Sadakuni**, Tokyo (JP); **Daisuke Fujita**, Tokyo (JP)

(73) Assignee: **Mitsubishi Electric Corporation**, Tokyo (JP)

(**) Term: **14 Years**

(21) Appl. No.: **29/267,449**

(22) Filed: **Oct. 16, 2006**

(30) **Foreign Application Priority Data**

Apr. 14, 2006 (JP) 2006-009695

(51) **LOC (8) Cl.** **13-03**

(52) **U.S. Cl.** **D13/160**

(58) **Field of Classification Search** D13/120,
D13/158-184, 199; 361/605, 612; 218/77-79,
218/2, 7, 119, 118, 102, 156; 251/172
See application file for complete search history.

(56) **References Cited**

U.S. PATENT DOCUMENTS

| | | | | |
|-----------|-----|---------|-------------------|---------|
| 2,401,963 | A * | 6/1946 | Rietz et al. | 218/102 |
| D159,112 | S * | 6/1950 | van Ryan | D13/160 |
| D163,986 | S * | 7/1951 | Baker et al. | D13/160 |
| 3,602,667 | A * | 8/1971 | Reichl et al. | 218/156 |
| 3,823,346 | A * | 7/1974 | Olsen | 361/612 |
| 4,059,816 | A * | 11/1977 | Bonecutter et al. | 337/278 |
| 4,109,124 | A * | 8/1978 | Boersma et al. | 218/77 |
| D256,353 | S * | 8/1980 | Evans | D13/160 |
| 4,320,377 | A * | 3/1982 | Shaw | 337/278 |
| 4,379,957 | A * | 4/1983 | Calvino | 218/2 |
| D285,434 | S * | 9/1986 | Panas | D13/160 |
| 4,831,218 | A * | 5/1989 | Wright | 200/5 A |
| 4,862,319 | A * | 8/1989 | Suzuyama et al. | 361/612 |
| D312,071 | S * | 11/1990 | Urbanek | D13/160 |

| | | | | |
|--------------|------|---------|--------------------------|---------|
| D320,977 | S * | 10/1991 | Biller et al. | D13/160 |
| D321,170 | S * | 10/1991 | Ramos et al. | D13/160 |
| D321,508 | S * | 11/1991 | Ramos | D13/160 |
| 5,350,892 | A * | 9/1994 | Rozier | 218/119 |
| 5,952,636 | A * | 9/1999 | Morita et al. | 218/118 |
| 5,991,148 | A * | 11/1999 | Heil et al. | 361/605 |
| 6,134,100 | A * | 10/2000 | Hageli et al. | 361/605 |
| 6,335,502 | B1 * | 1/2002 | Kikukawa et al. | 218/118 |
| 6,545,241 | B1 * | 4/2003 | Franchi et al. | 218/78 |
| 6,573,469 | B1 * | 6/2003 | Piazza | 218/7 |
| 6,784,392 | B1 * | 8/2004 | Piazza et al. | 218/7 |
| D520,959 | S * | 5/2006 | Nagai et al. | D13/158 |
| 2004/0079731 | A1 * | 4/2004 | Rokunohe et al. | 218/7 |
| 2004/0251443 | A1 * | 12/2004 | Wu | 251/172 |
| 2005/0150869 | A1 * | 7/2005 | Vaghini et al. | 218/118 |
| 2005/0236371 | A1 * | 10/2005 | Cameroni et al. | 218/118 |
| 2006/0283841 | A1 * | 12/2006 | Sologuren-Sanchez et al. | 218/79 |

* cited by examiner

Primary Examiner—Selina Sikder

Assistant Examiner—Thomas Johannes

(74) *Attorney, Agent, or Firm*—Sughrue Mion, PLLC

(57) **CLAIM**

The ornamental design for a gas insulated switchgear, as shown.

DESCRIPTION

FIG. 1 is a front, top and right side perspective view of a gas insulated switchgear, showing our new design;

FIG. 2 is a front elevational view thereof;

FIG. 3 is a rear elevational view thereof;

FIG. 4 is a top plan view thereof;

FIG. 5 is a bottom plan view thereof;

FIG. 6 is a left side elevational view thereof; and,

FIG. 7 is a right side elevational view thereof.

1 Claim, 3 Drawing Sheets

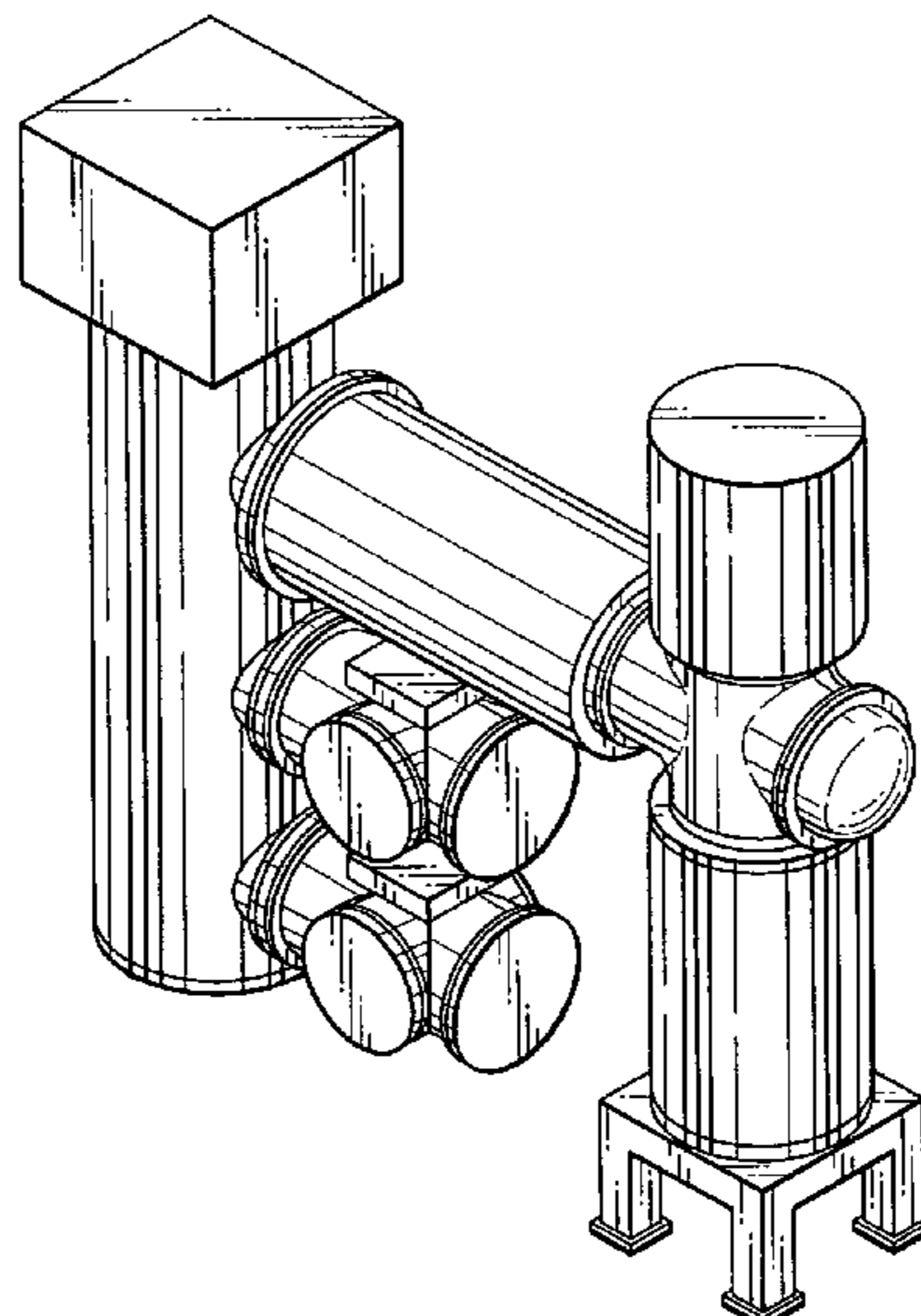


FIG. 1

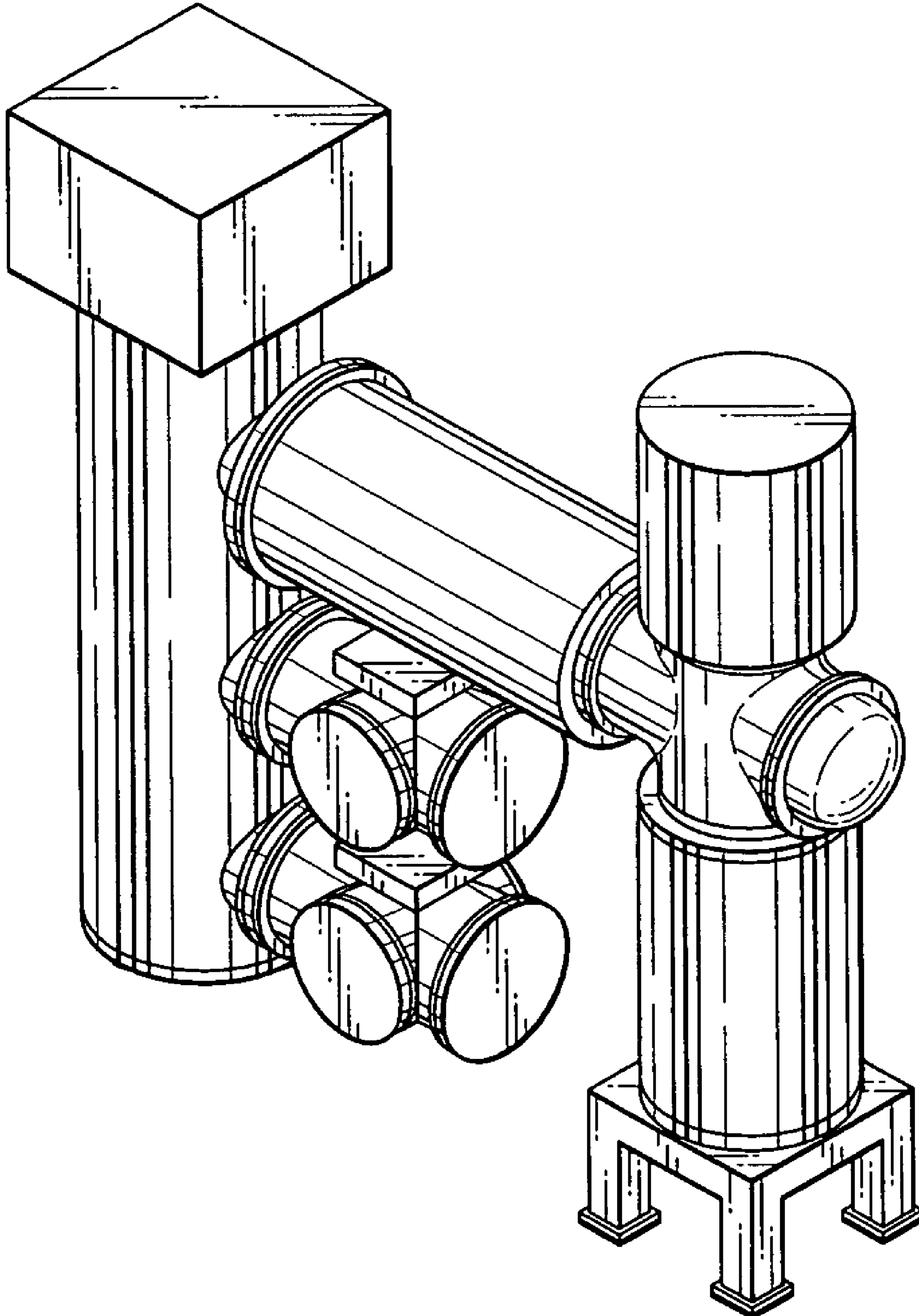


FIG.2

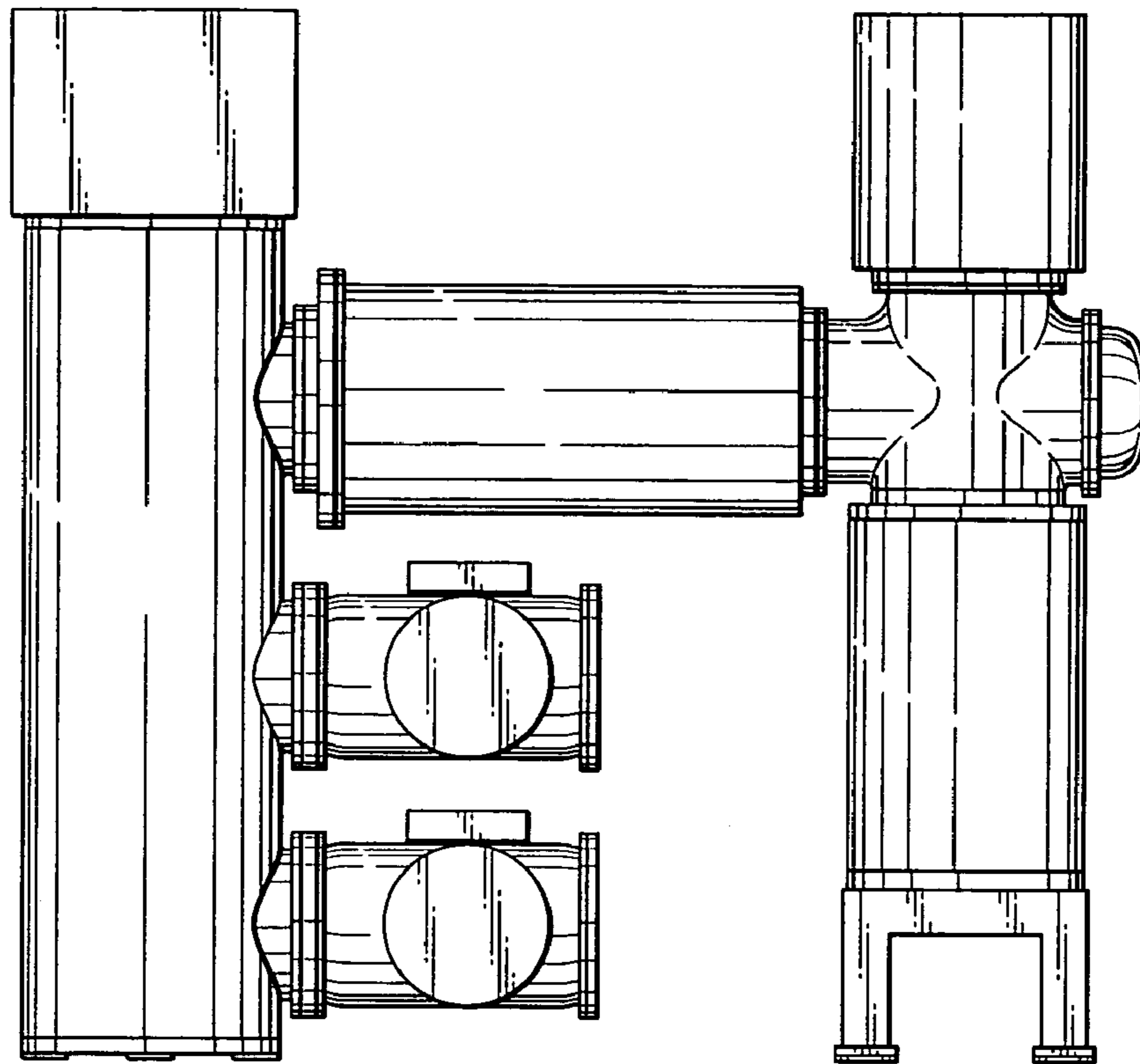


FIG.3

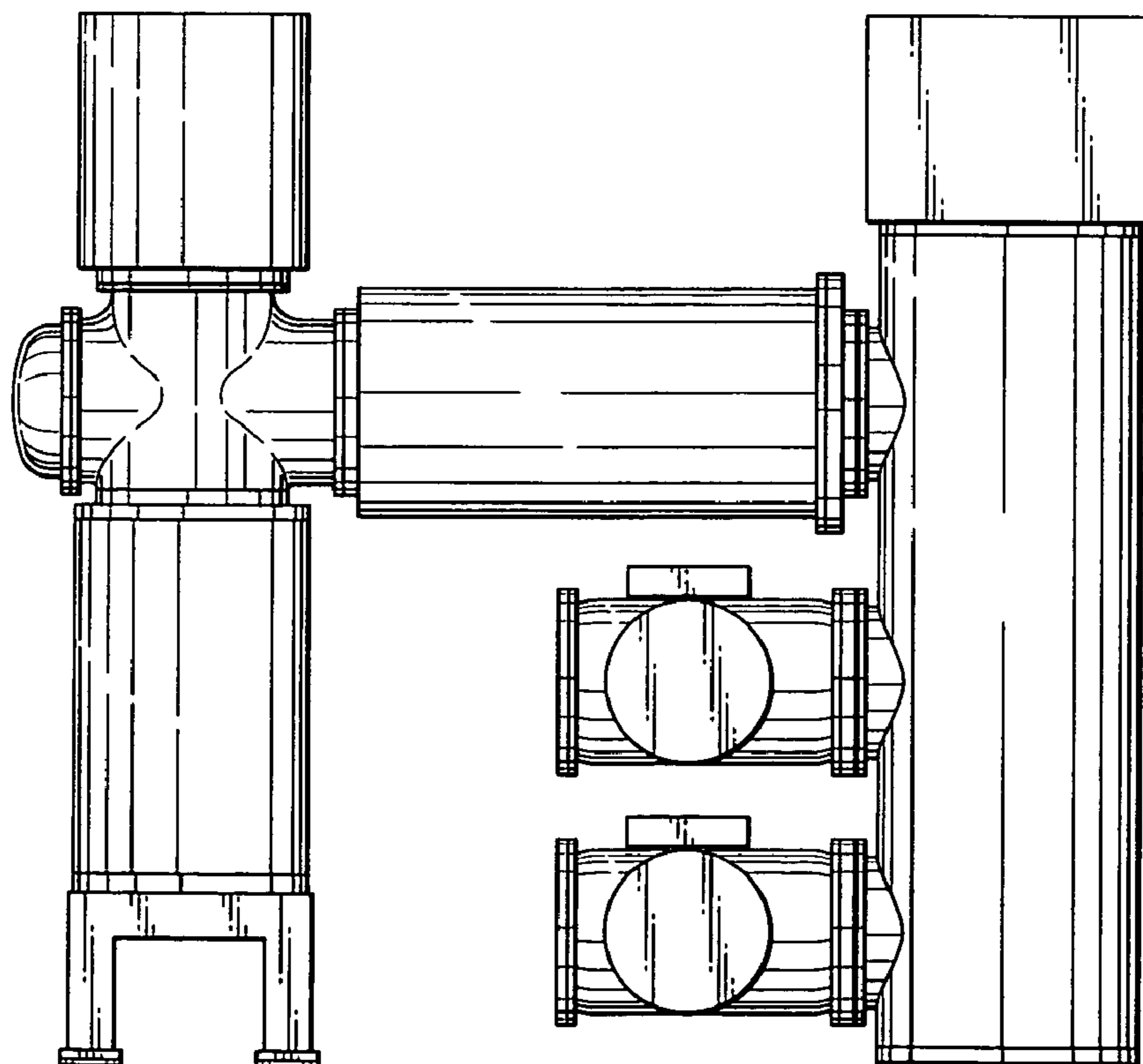


FIG.4

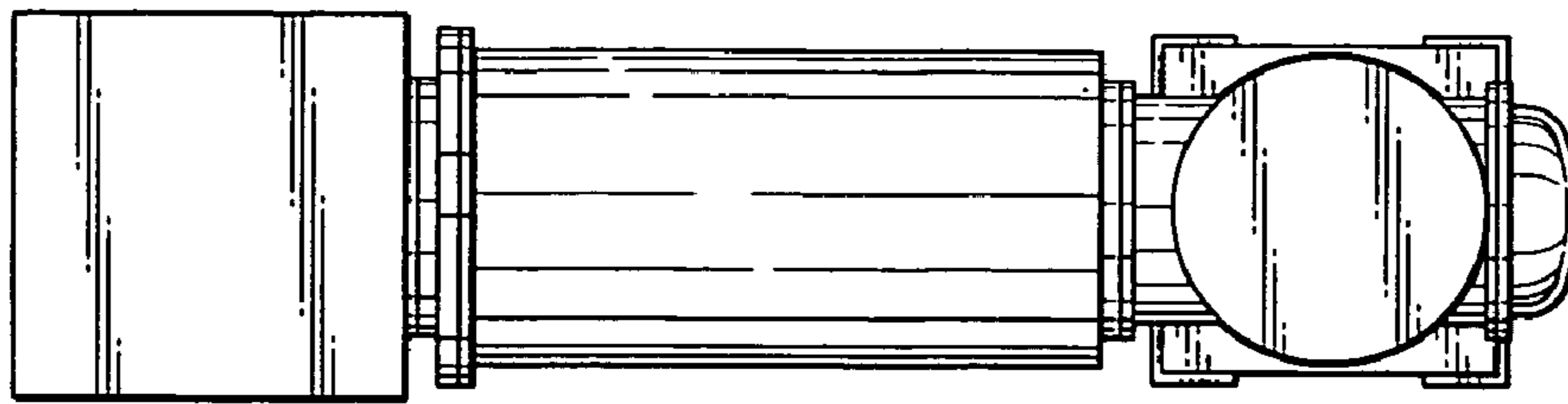


FIG.5

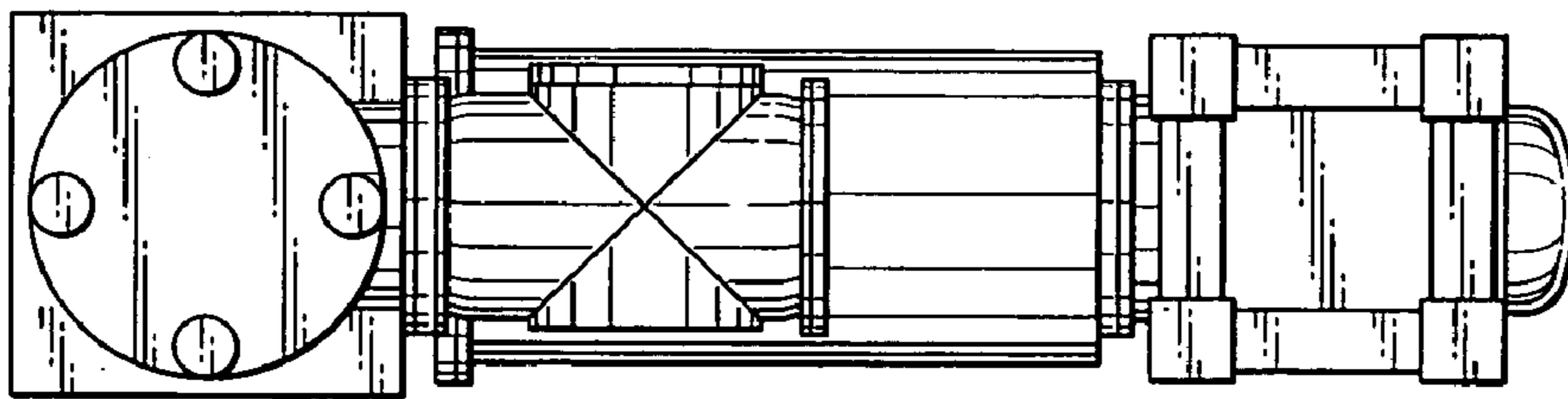


FIG.6

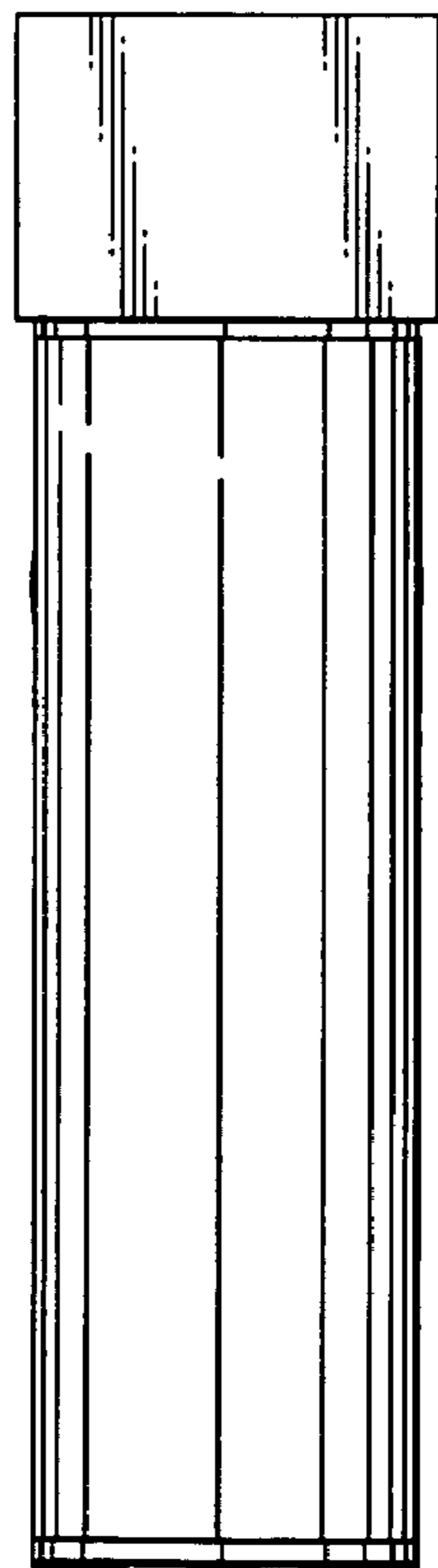


FIG.7

