



US00D552557S

(12) **United States Design Patent** (10) **Patent No.:** **US D552,557 S**
Sakamoto (45) **Date of Patent:** **** Oct. 9, 2007**

(54) **ELECTRICAL CONNECTOR**

D520,454 S 5/2006 Riku
2003/0022555 A1 1/2003 Vicich et al.

(75) Inventor: **Tetsuma Sakamoto**, Tokyo (JP)

FOREIGN PATENT DOCUMENTS

(73) Assignee: **Tyco Electronics AMP K.K.**,
Kanagawa-Ken (JP)

JP	D1232289	10/2006
JP	D1282971	10/2006
JP	D1282972	10/2006
JP	D1282973	10/2006

(**) Term: **14 Years**

(21) Appl. No.: **29/277,282**

OTHER PUBLICATIONS

(22) Filed: **Feb. 20, 2007**

AMP Dynamic Series Connectors catalog 124986, printed in 1999,
2 pages.

Related U.S. Application Data

Primary Examiner—Daniel Bui
(74) *Attorney, Agent, or Firm*—Barley Snyder LLC

(62) Division of application No. 29/247,961, filed on Jul.
21, 2006.

Foreign Application Priority Data

(57) **CLAIM**

Jan. 23, 2006 (JP) 2006-001311

The ornamental design for an electrical connector, as shown
and described.

(51) **LOC (8) Cl.** **13-03**

DESCRIPTION

(52) **U.S. Cl.** **D13/147**

(58) **Field of Classification Search** D13/123,
D13/133, 146–147, 154, 184, 199; 439/79,
439/108, 278, 374, 377, 540.1, 541.5, 660,
439/607–610, 682, 884, 894

FIG. 1 is a front elevation view of an electrical connector,
showing my new design;

FIG. 2 is a top plan view thereof;

FIG. 3 is a rear elevation view thereof;

FIG. 4 is a right side elevation view thereof;

FIG. 5 is a cross-sectional view thereof, taken along the line
5—5 in FIG. 1;

FIG. 6 is a top, front and left side perspective view thereof;
and,

FIG. 7 is a bottom, rear and right side perspective view
thereof.

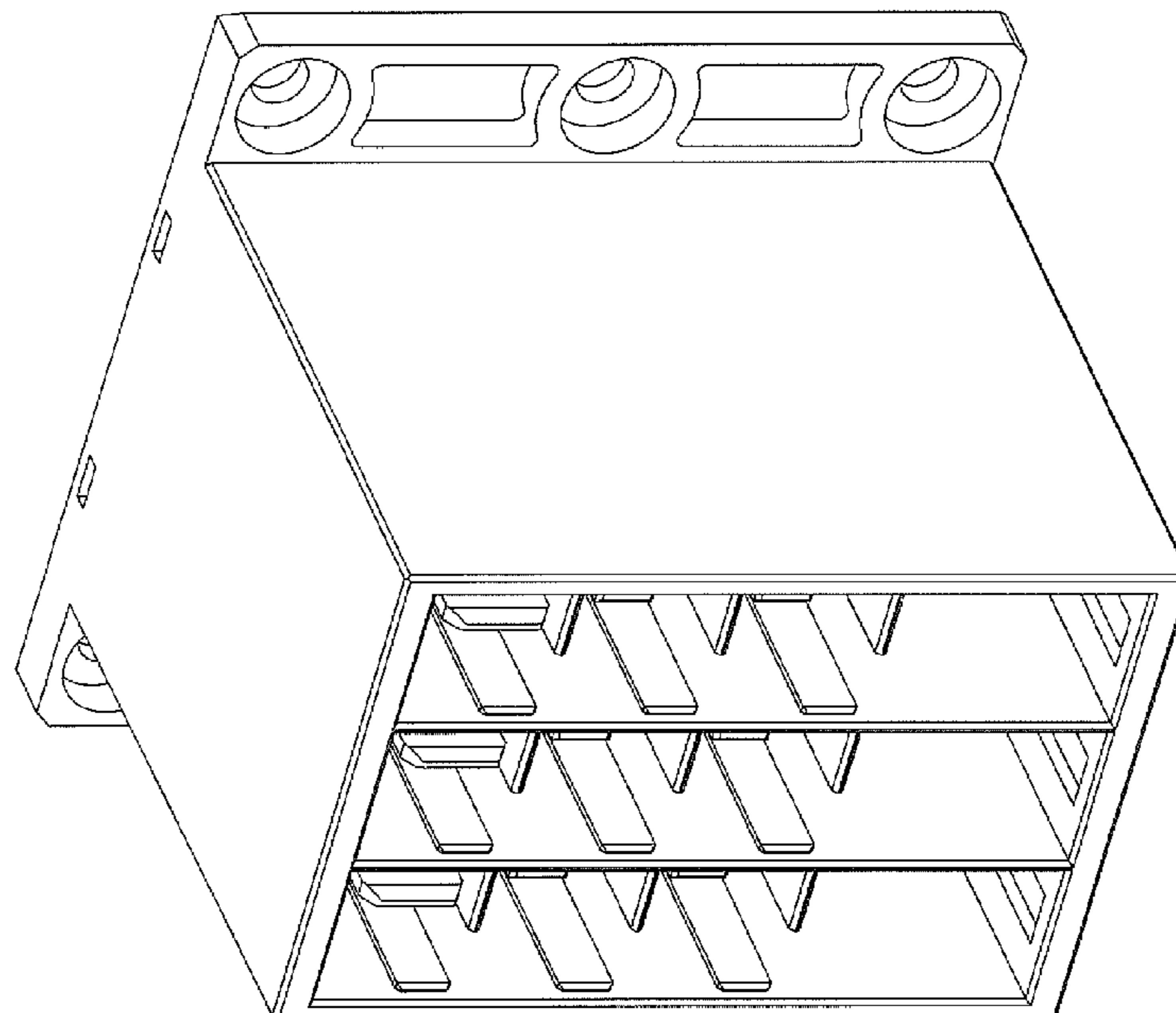
See application file for complete search history.

(56) **References Cited**

U.S. PATENT DOCUMENTS

D311,517 S	10/1990	Kameyama et al.
5,600,542 A	2/1997	Malgouires
6,375,490 B1	4/2002	Yao
6,572,411 B1	6/2003	Aeschbacher et al.
D517,487 S	3/2006	Riku
D519,462 S	4/2006	Kudo

1 Claim, 7 Drawing Sheets



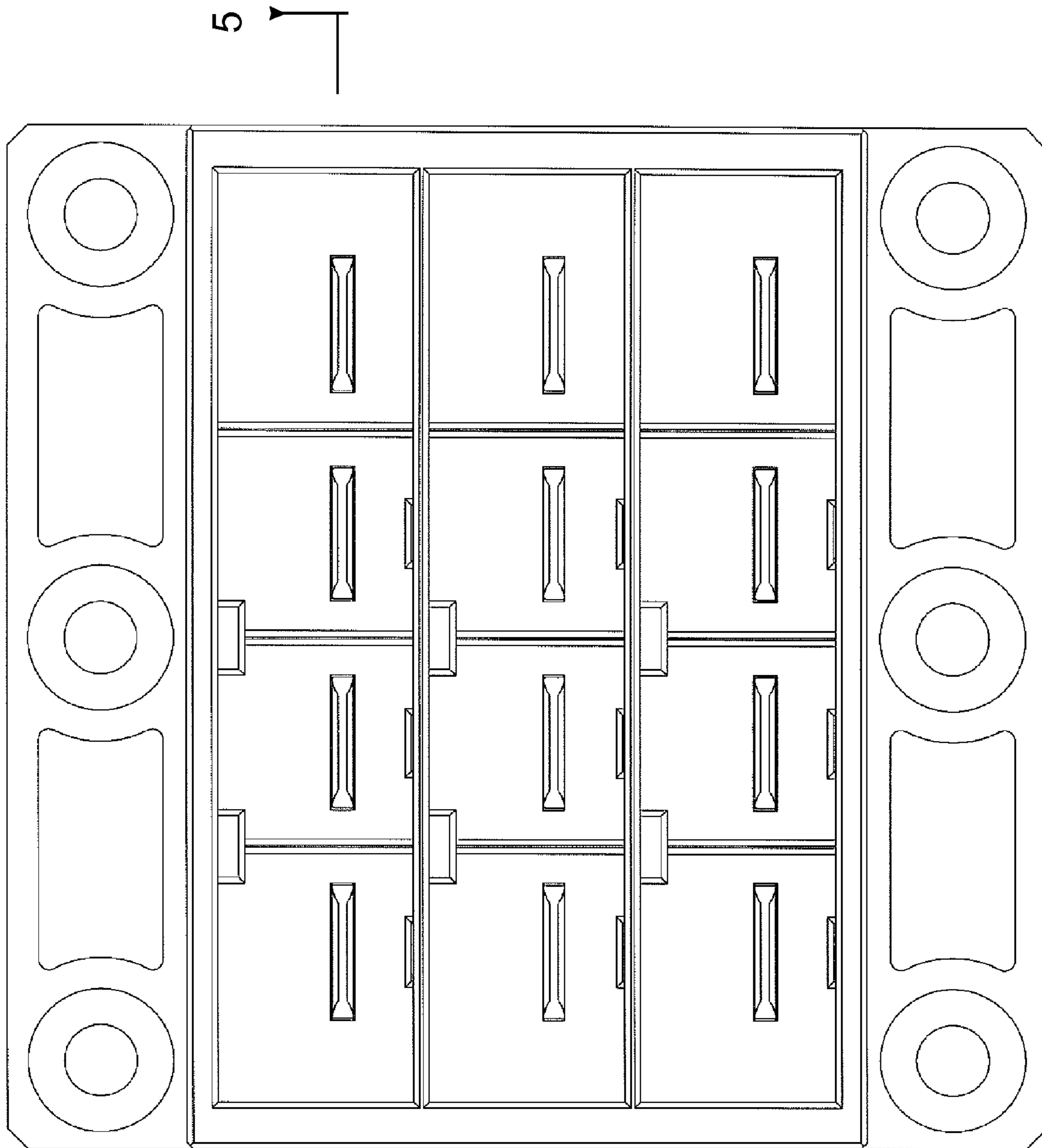


FIG. 1

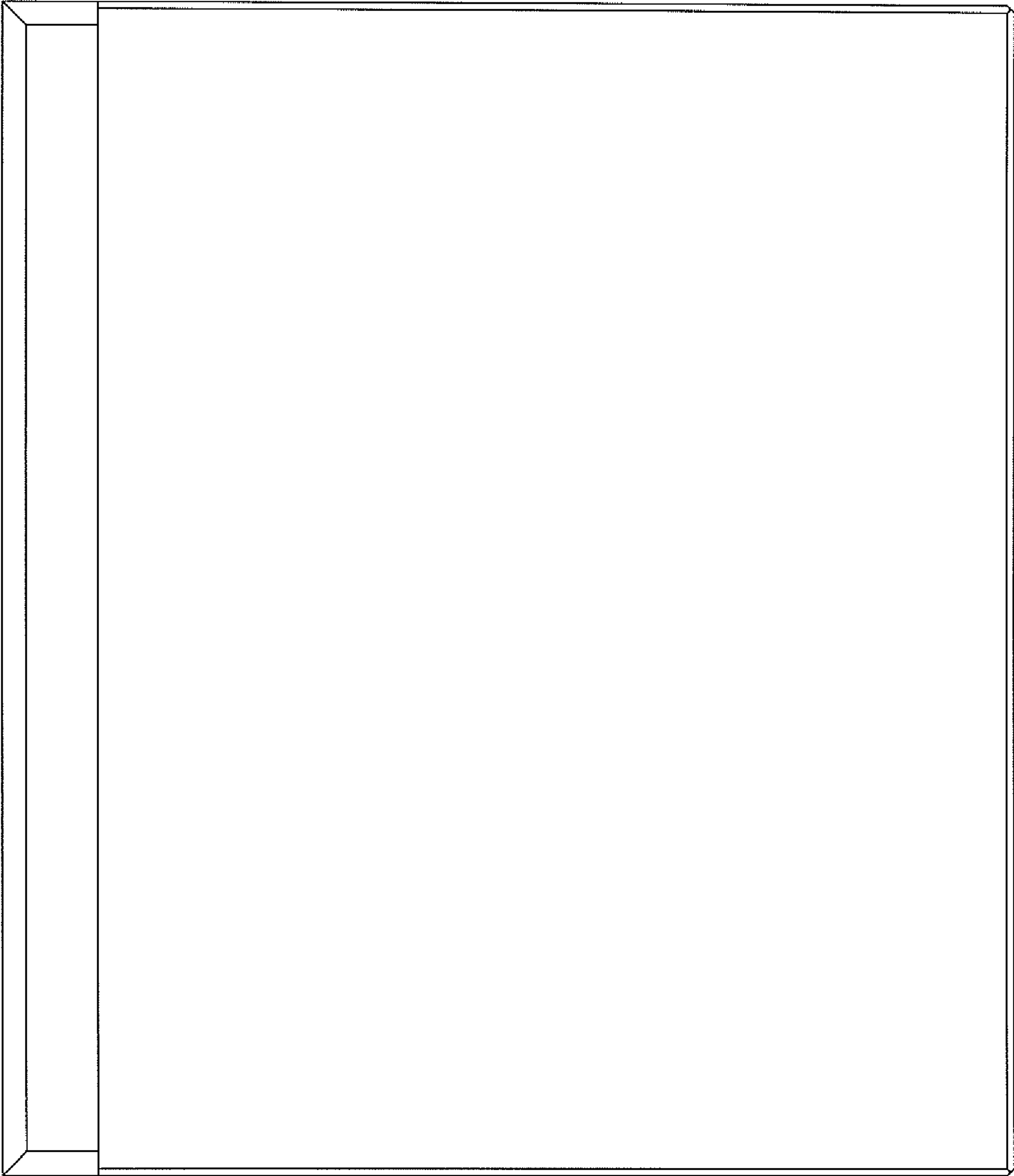


FIG. 2

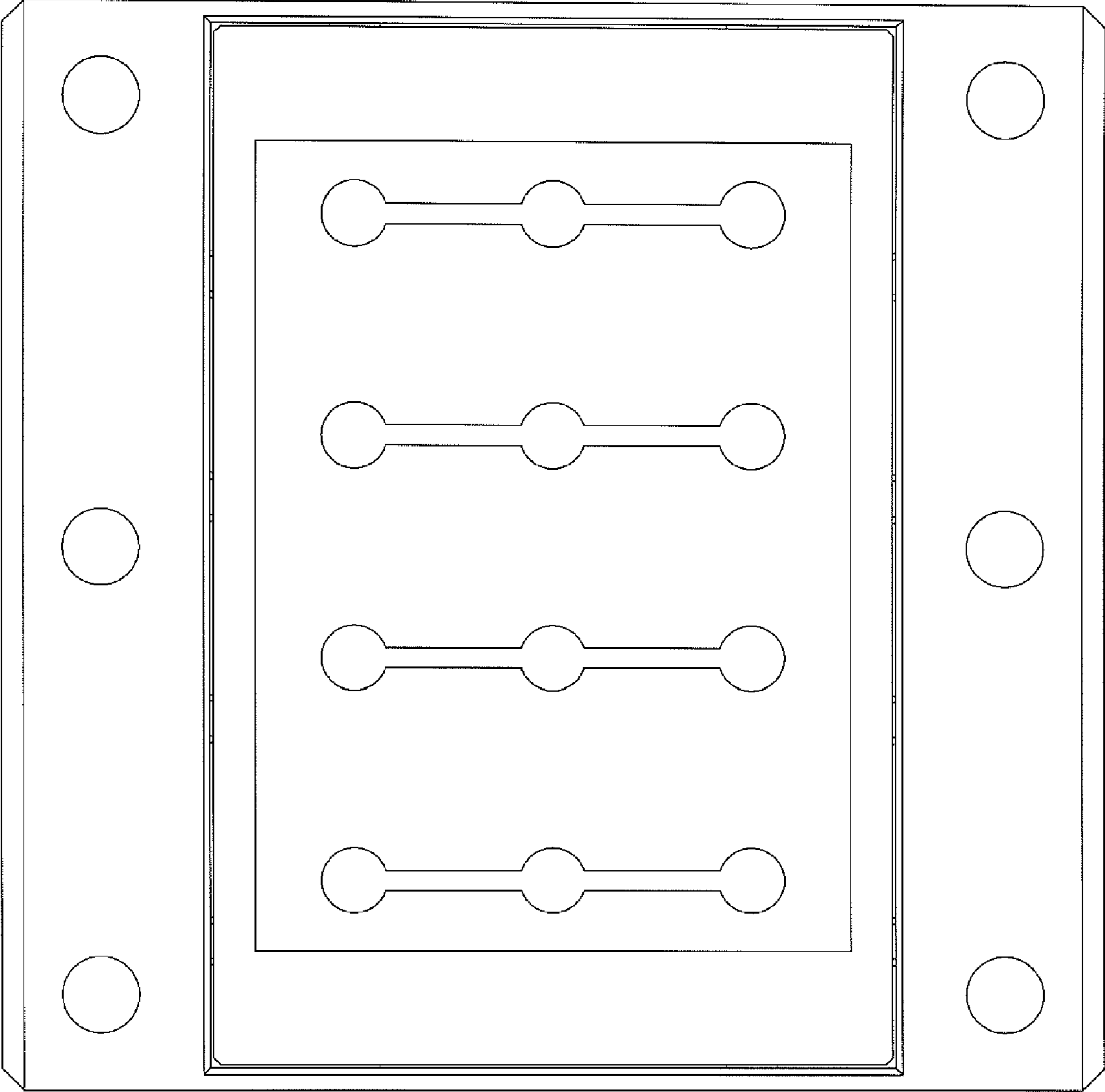


FIG.3

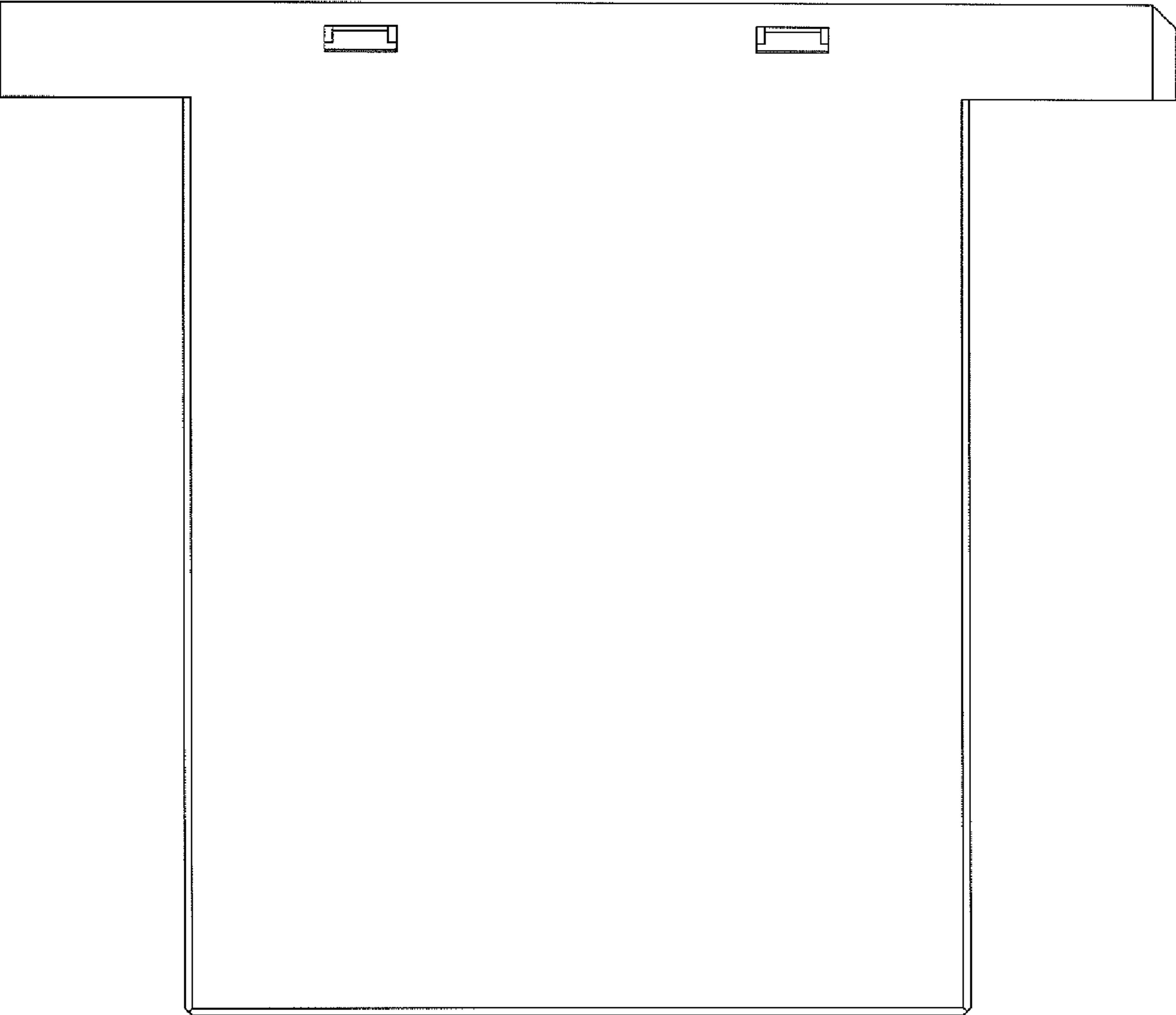


FIG. 4

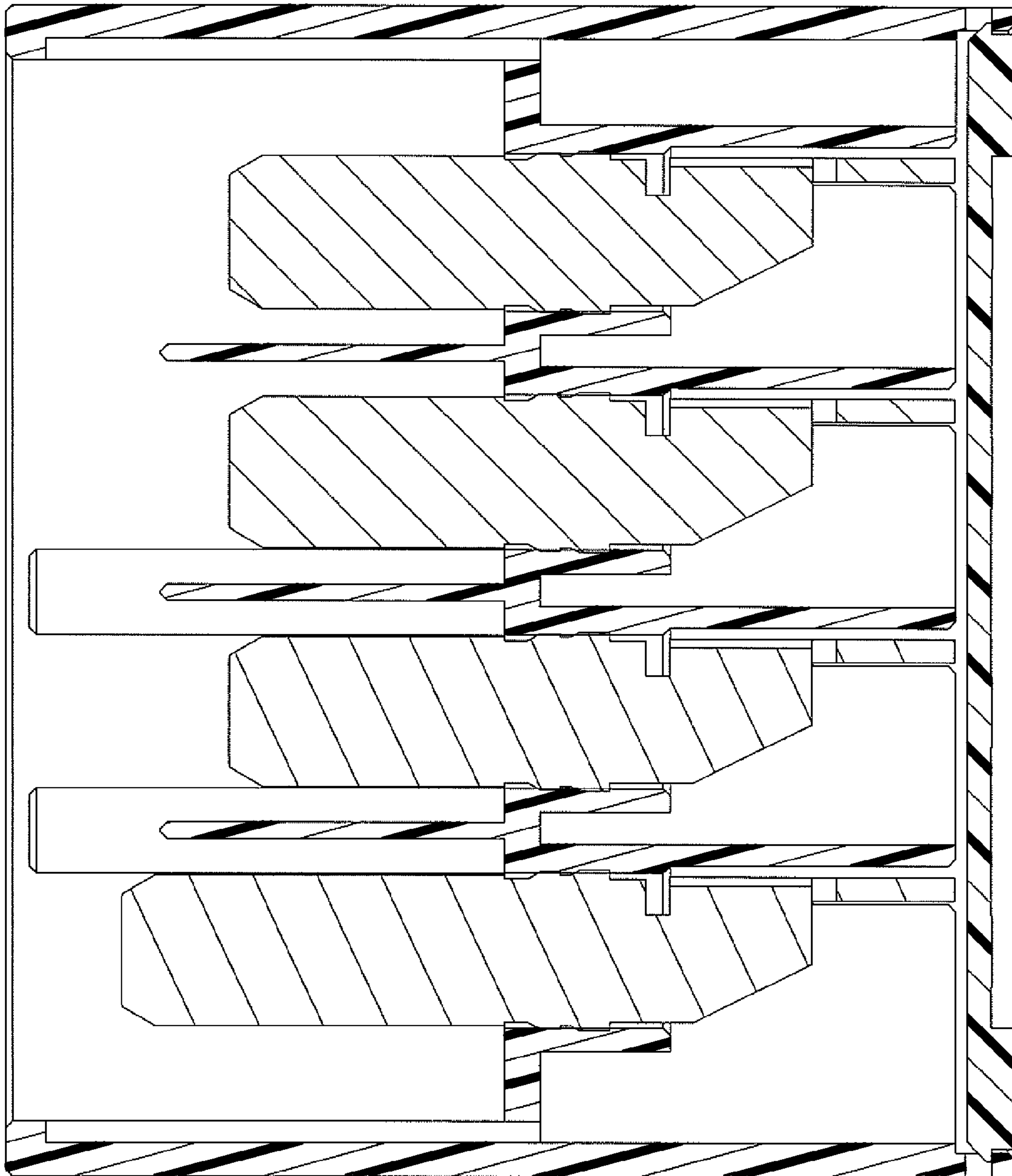


FIG. 5

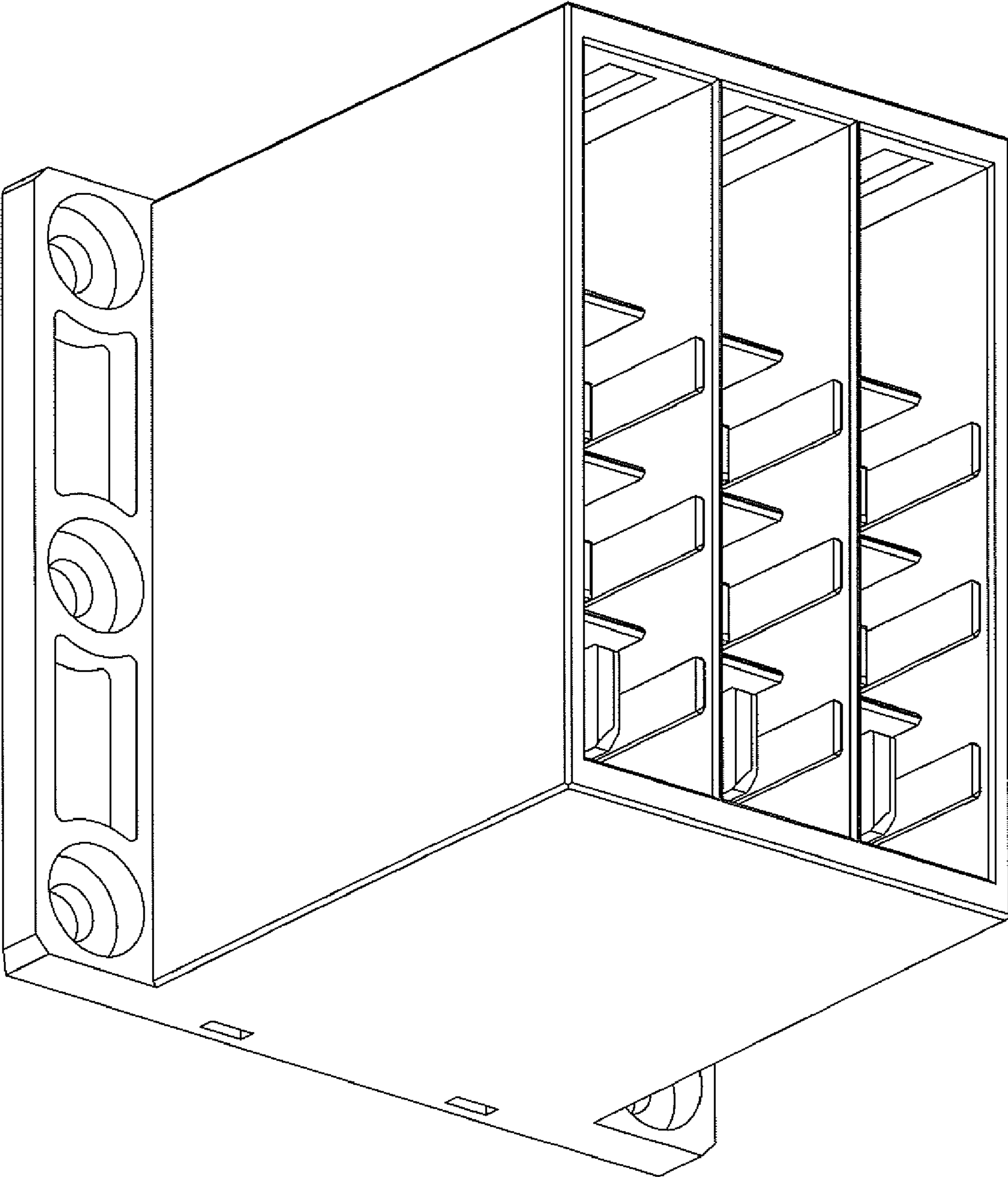


FIG. 6

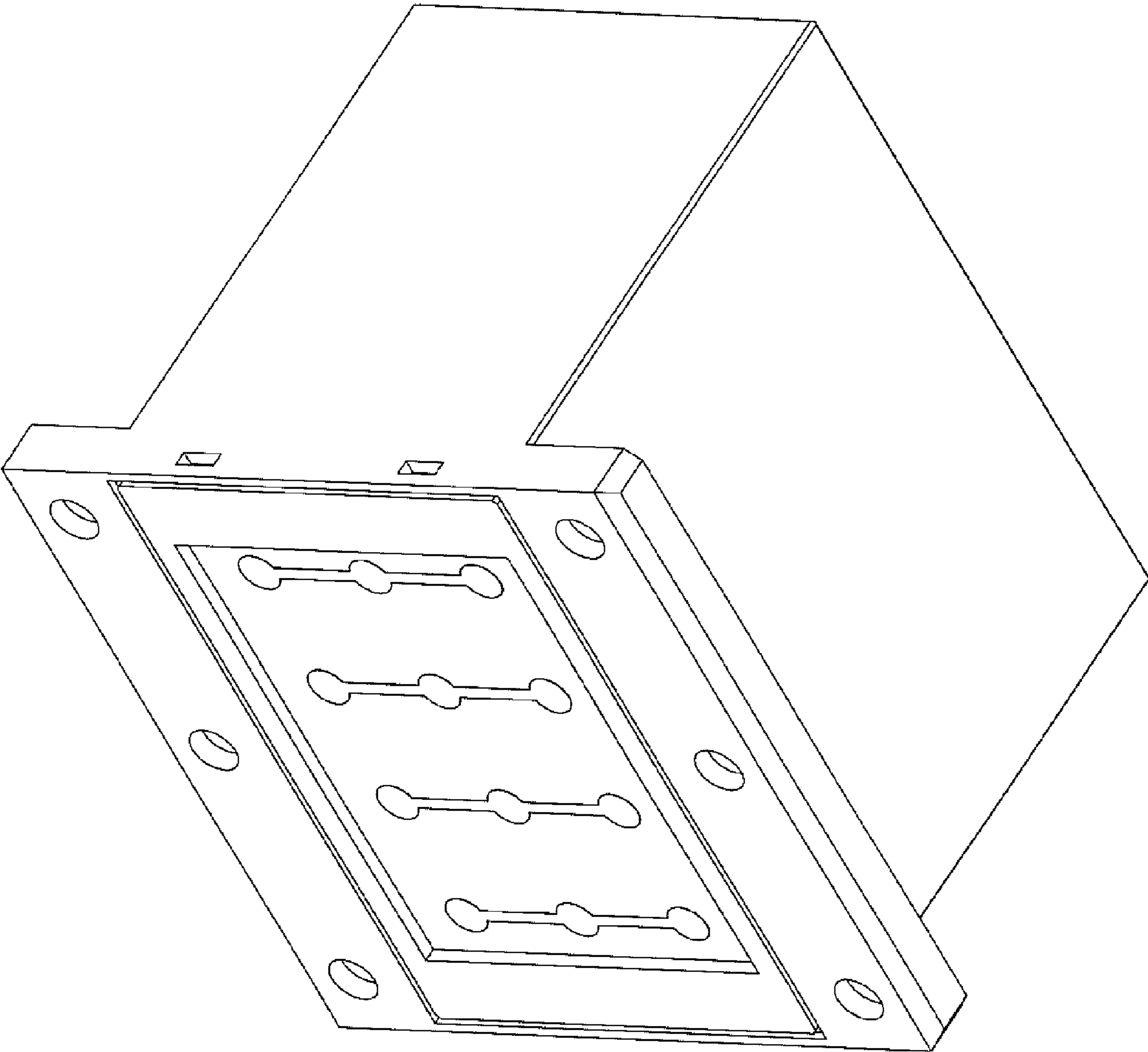


FIG. 7