



US00D552555S

(12) **United States Design Patent**  
**Kuo et al.**

(10) **Patent No.:** **US D552,555 S**

(45) **Date of Patent:** **\*\* Oct. 9, 2007**

(54) **CABLE CONNECTOR ASSEMBLY**

(75) Inventors: **Peter Kuo**, Tu-cheng (TW); **Hou-Yu Shi**, Kunshan (CN)

(73) Assignee: **Hon Hai Precision Ind. Co., Ltd.**, Taipei Hsien (TW)

(\*\*) Term: **14 Years**

(21) Appl. No.: **29/270,751**

(22) Filed: **Jan. 3, 2007**

(30) **Foreign Application Priority Data**

Jul. 3, 2006 (TW) ..... 200630121320

(51) **LOC (8) Cl.** ..... **13-03**

(52) **U.S. Cl.** ..... **D13/147**

(58) **Field of Classification Search** ..... D13/133,  
D13/146-147, 153-154, 184, 199; 439/350,  
439/352, 447, 582-583, 694, 607-610, 660,  
439/677, 680-682, 687

See application file for complete search history.

(56) **References Cited**

**U.S. PATENT DOCUMENTS**

4,838,808 A \* 6/1989 Fujiura ..... 439/357  
D349,099 S \* 7/1994 Robertson et al. .... D13/147  
D415,111 S \* 10/1999 Lee ..... D13/154

D455,401 S \* 4/2002 Goto ..... D13/147  
D503,152 S \* 3/2005 Suckle et al. .... D13/154  
D513,735 S \* 1/2006 Nishio et al. .... D13/147  
D514,524 S \* 2/2006 Suckle ..... D13/156  
D515,511 S \* 2/2006 Nishio et al. .... D13/147

\* cited by examiner

*Primary Examiner*—Daniel Bui

(74) *Attorney, Agent, or Firm*—Wei Te Chung

(57) **CLAIM**

The ornamental design for a cable connector assembly, as shown and described.

**DESCRIPTION**

FIG. 1 is a front, top and right side perspective view of a cable connector assembly, showing our new design;

FIG. 2 is a front elevational view thereof;

FIG. 3 is a rear elevational view thereof;

FIG. 4 is a left side elevational view thereof;

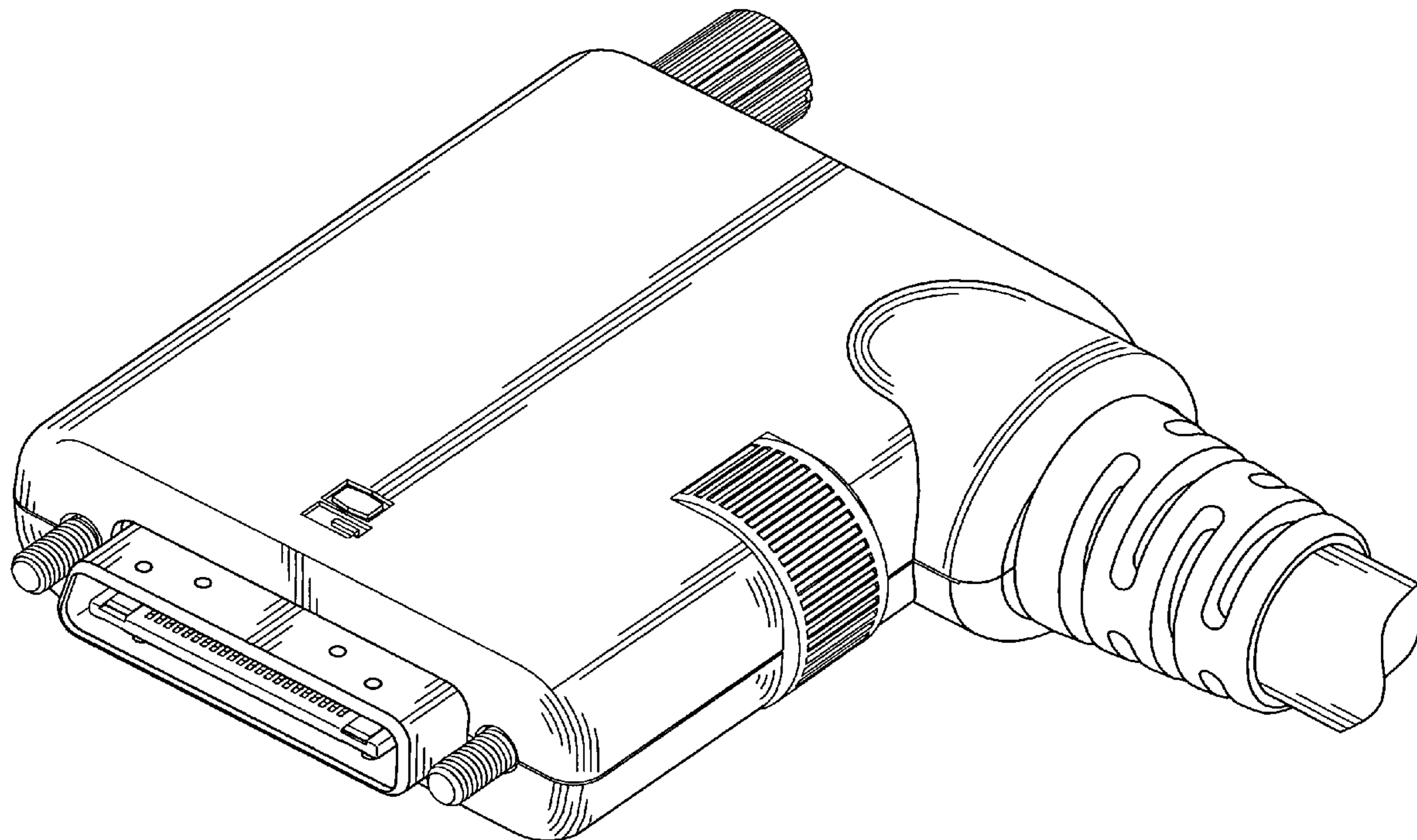
FIG. 5 is a right side elevational view thereof;

FIG. 6 is a top plan view thereof; and,

FIG. 7 is a bottom plan view thereof.

The broken line showing of the environment is for illustrative purposes only and forms no part of the claimed design.

**1 Claim, 7 Drawing Sheets**



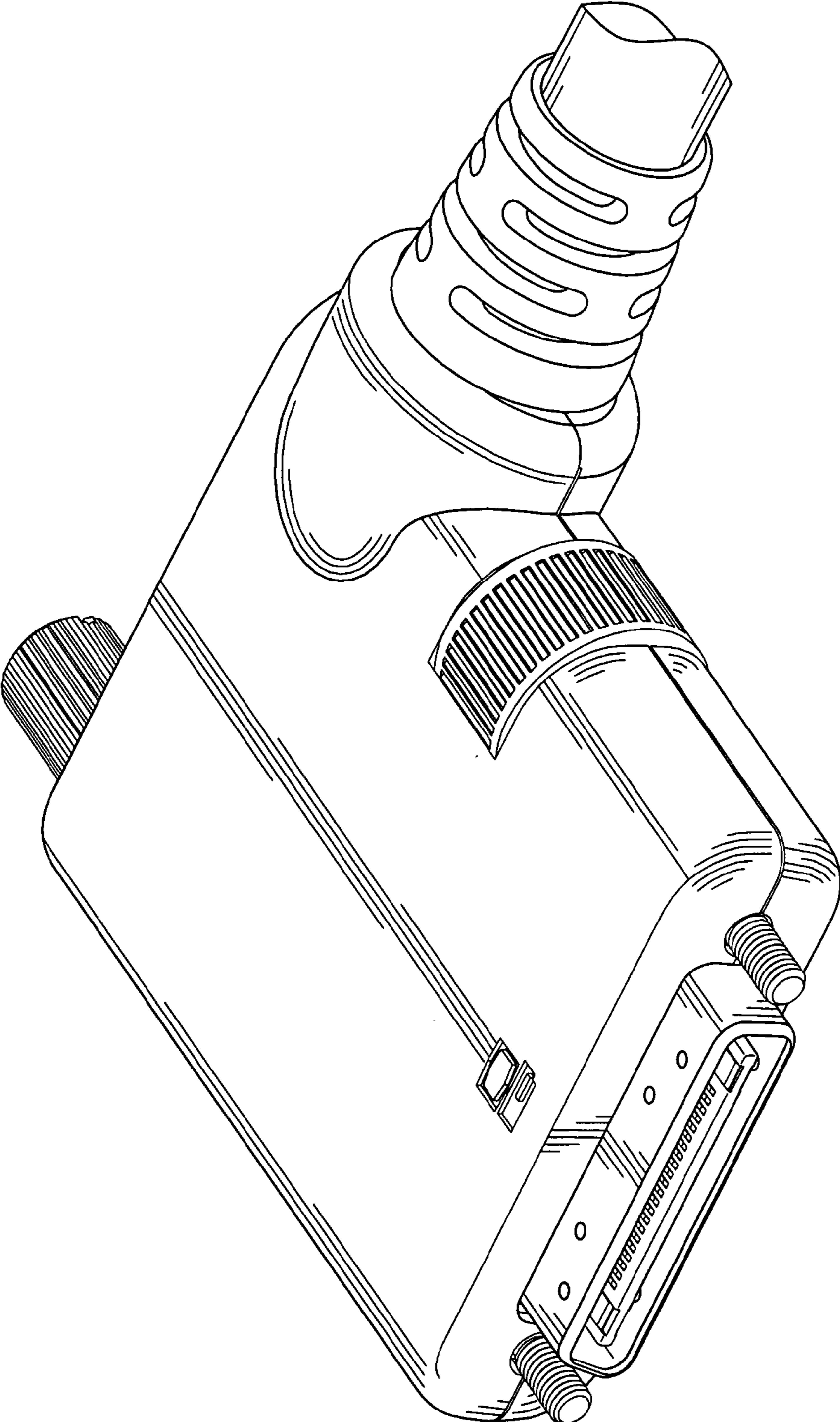


FIG. 1

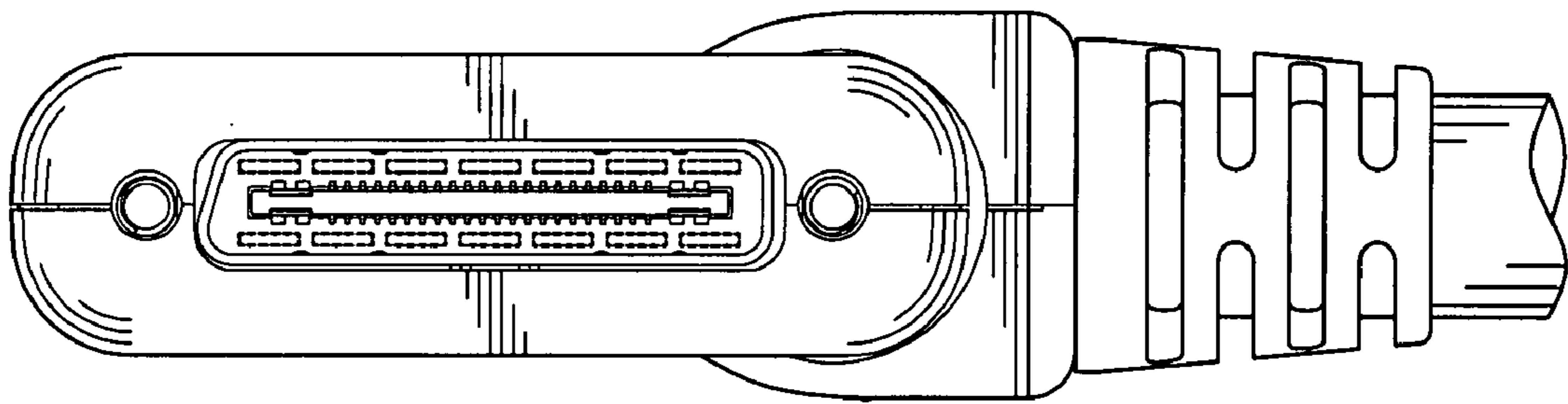


FIG. 2

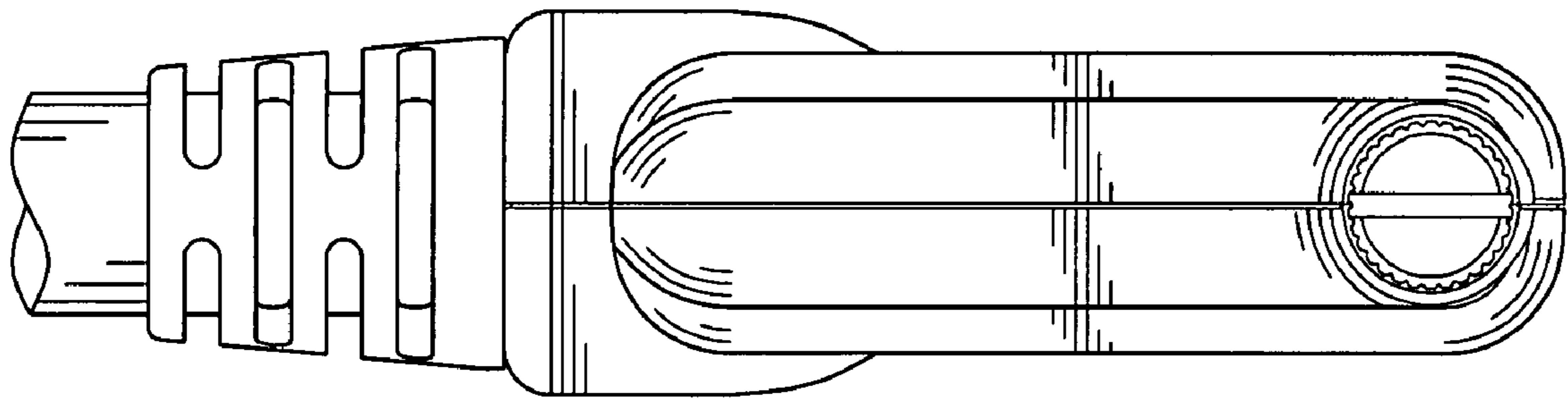


FIG. 3

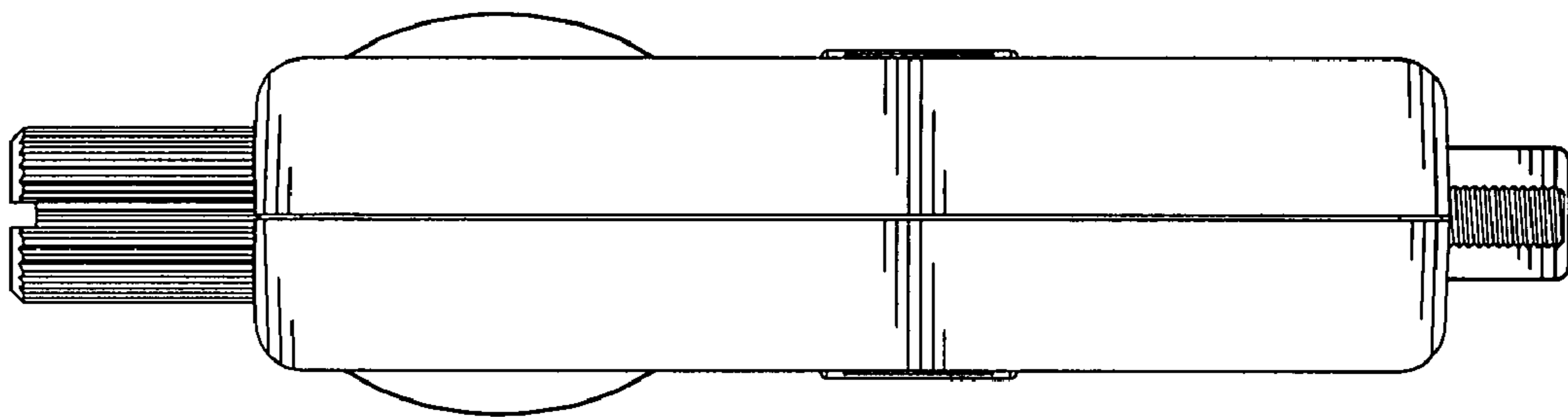


FIG. 4

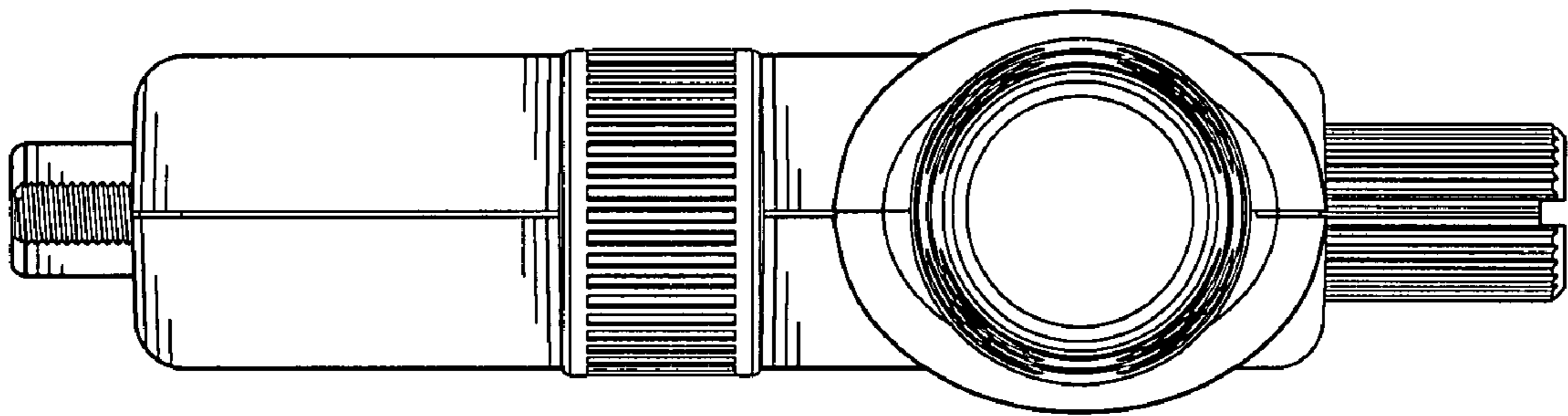


FIG. 5



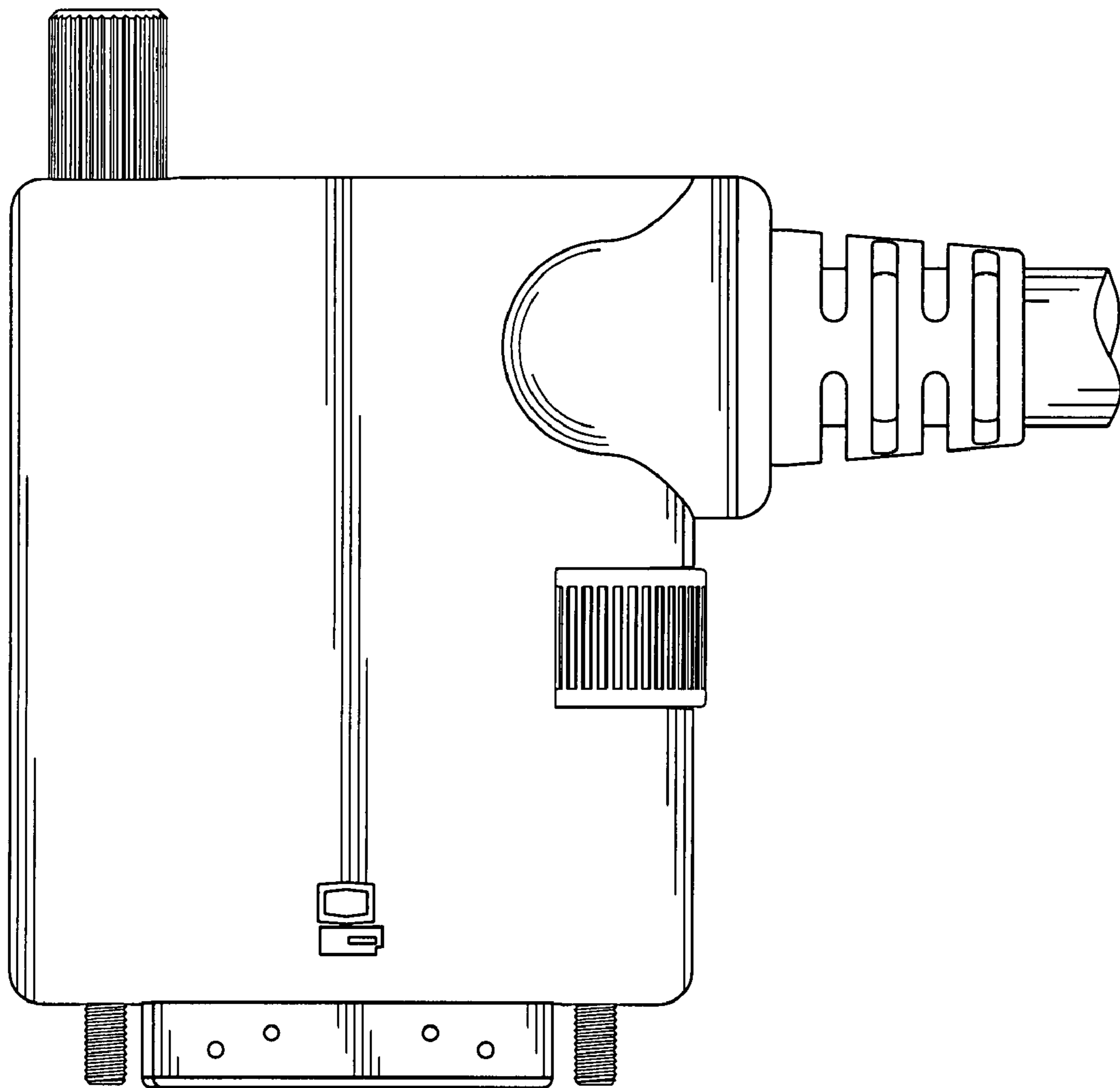


FIG. 6

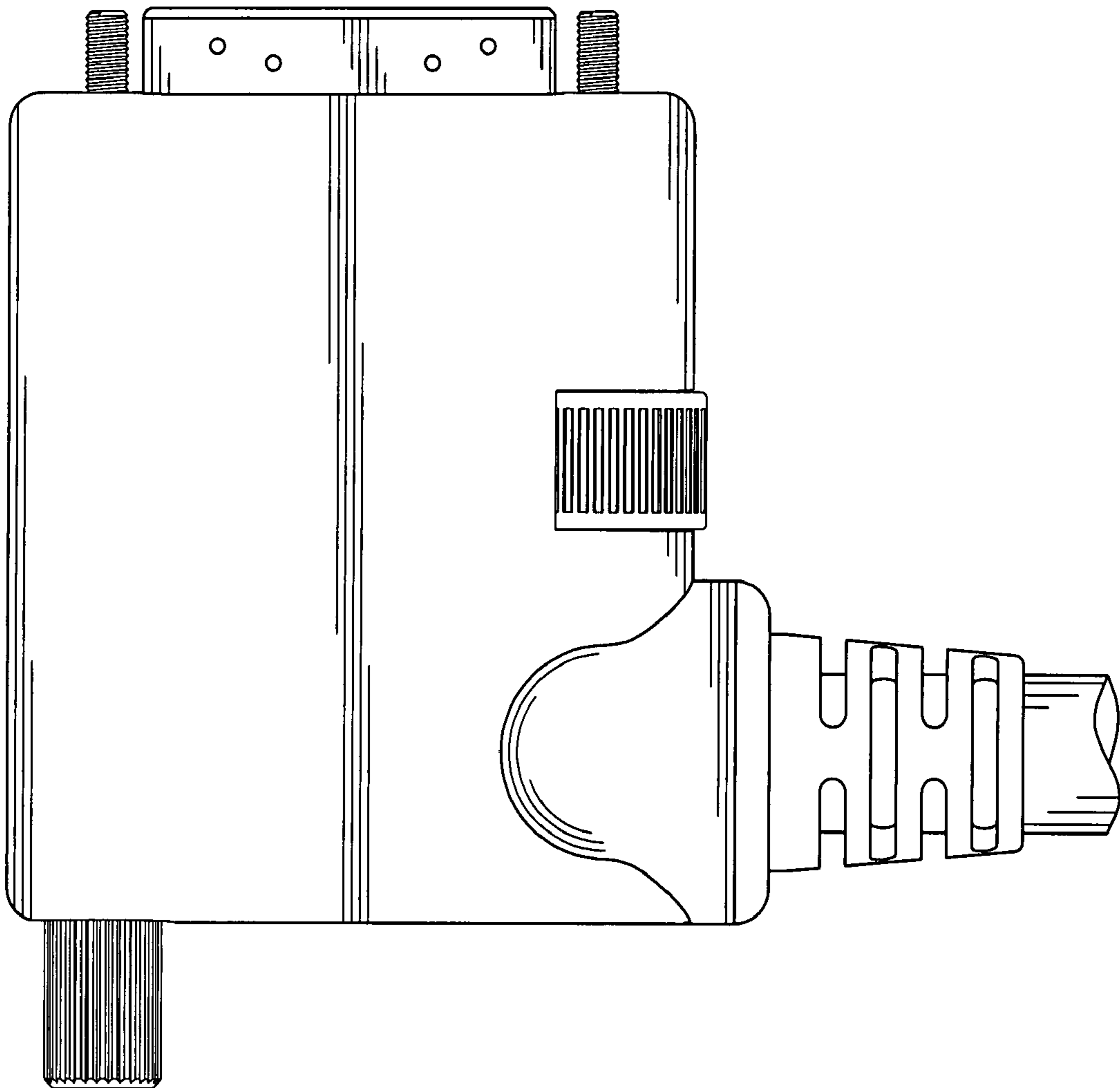


FIG. 7