



US00D552551S

(12) **United States Design Patent**
Chang

(10) **Patent No.:** **US D552,551 S**

(45) **Date of Patent:** **** Oct. 9, 2007**

(54) **TOOLLESS KEYSTONE CONNECTOR**

Primary Examiner—Daniel Bui
(74) *Attorney, Agent, or Firm*—Troxell Law Office PLLC

(75) Inventor: **Ray Chang**, Hsichih (TW)

(73) Assignee: **Telebox Industries Corp.**, Taipei Hsien (TW)

(57) **CLAIM**

(**) Term: **14 Years**

The ornamental design for a toolless keystone connector, as shown and described.

(21) Appl. No.: **29/219,684**

(22) Filed: **Dec. 22, 2004**

DESCRIPTION

(51) **LOC (8) Cl.** **13-03**

(52) **U.S. Cl.** **D13/147**

(58) **Field of Classification Search** D13/133,
D13/146–147, 149, 153, 154, 184, 199; D14/140,
D14/240, 256, 299; 439/606–610, 660, 668,
439/676–677, 679–680, 682, 692
See application file for complete search history.

FIG. 1 is a top, front and right side perspective view of a toolless keystone connector in a closed condition, showing my new design;

FIG. 2 is a front elevational view thereof;

FIG. 3 is a rear elevational view thereof;

FIG. 4 is a top plan view thereof;

FIG. 5 is a bottom plan view thereof;

FIG. 6 is a left side elevational view thereof;

FIG. 7 is a right elevational view thereof;

FIG. 8 is a top, rear and left side perspective view thereof;

FIG. 9 is a top, front and right side perspective view thereof, in an open condition; and,

FIG. 10 is a top, rear and left side perspective view thereof.

The broken line showing of the environment is for illustrative purposes only and forms no part of the claimed design.

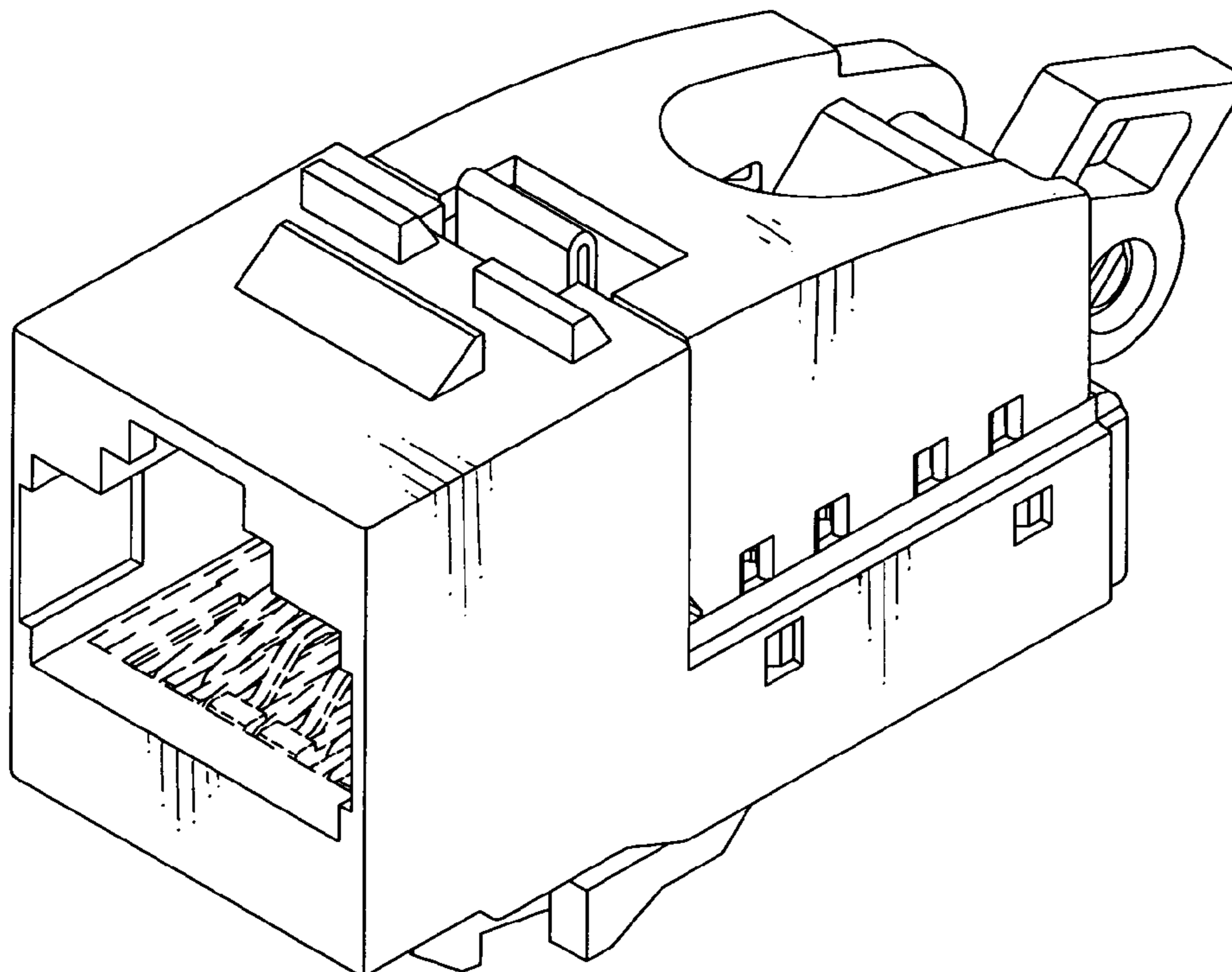
(56) **References Cited**

U.S. PATENT DOCUMENTS

D382,274 S *	8/1997	Lo et al.	D14/256
D418,112 S *	12/1999	Lin	D13/147
D423,456 S *	4/2000	Vanderhoof et al.	D13/147
D425,868 S *	5/2000	Doorhy et al.	D13/147
D458,591 S *	6/2002	Chang	D13/147
D471,866 S *	3/2003	Yano et al.	D13/147
D481,011 S *	10/2003	Su	D13/147
D493,167 S *	7/2004	Yu	D14/256

* cited by examiner

1 Claim, 8 Drawing Sheets



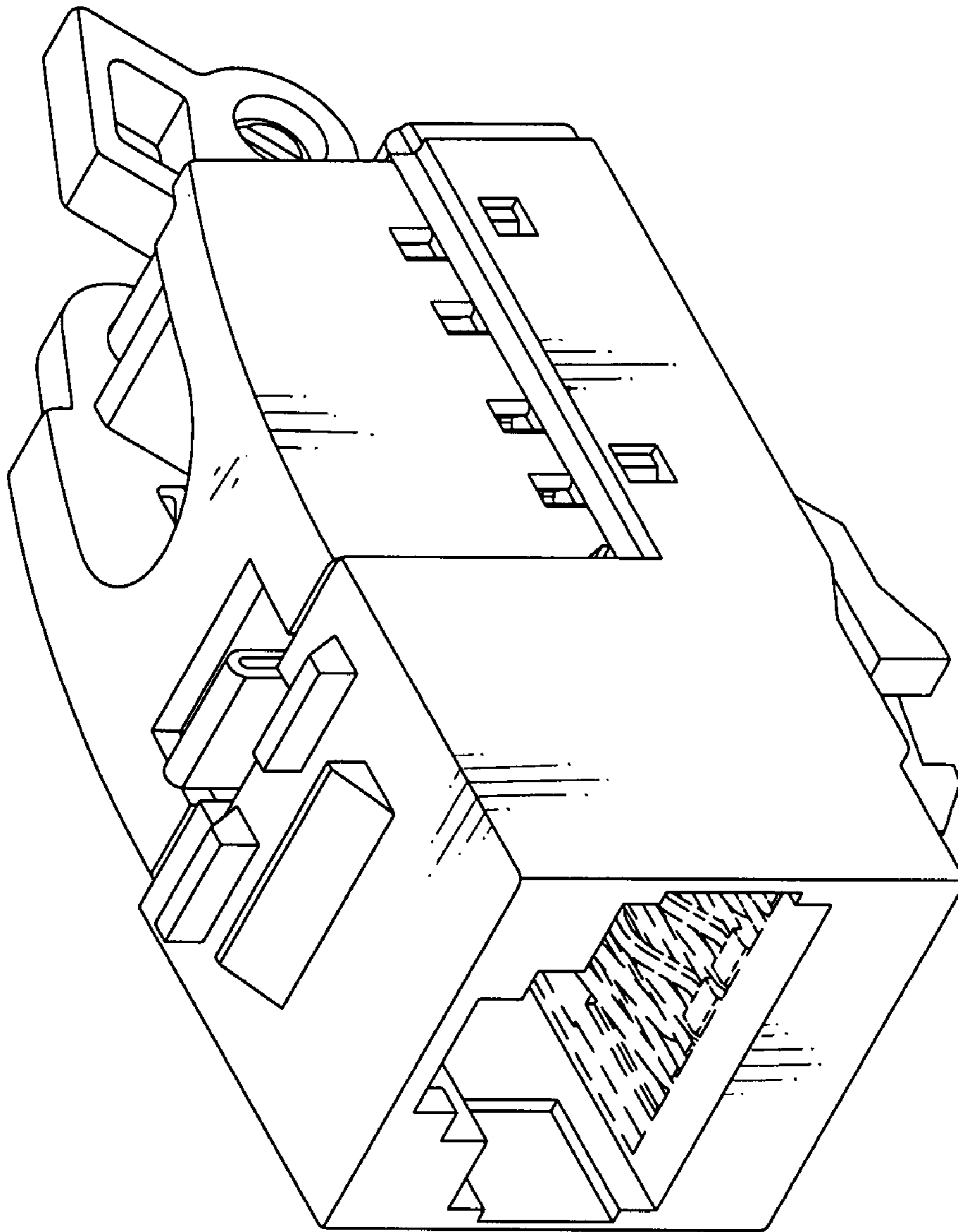


Fig.1

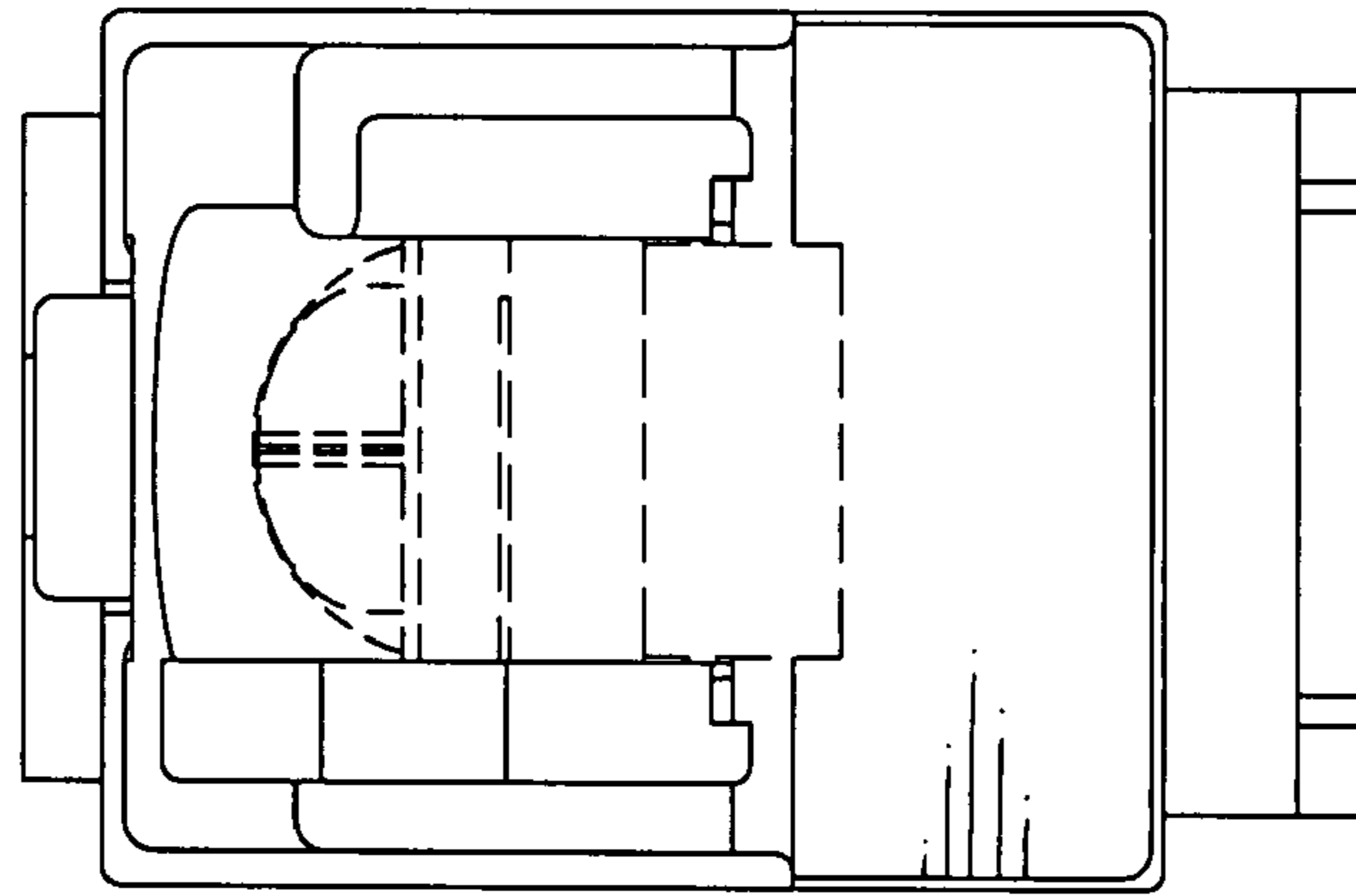


Fig.3

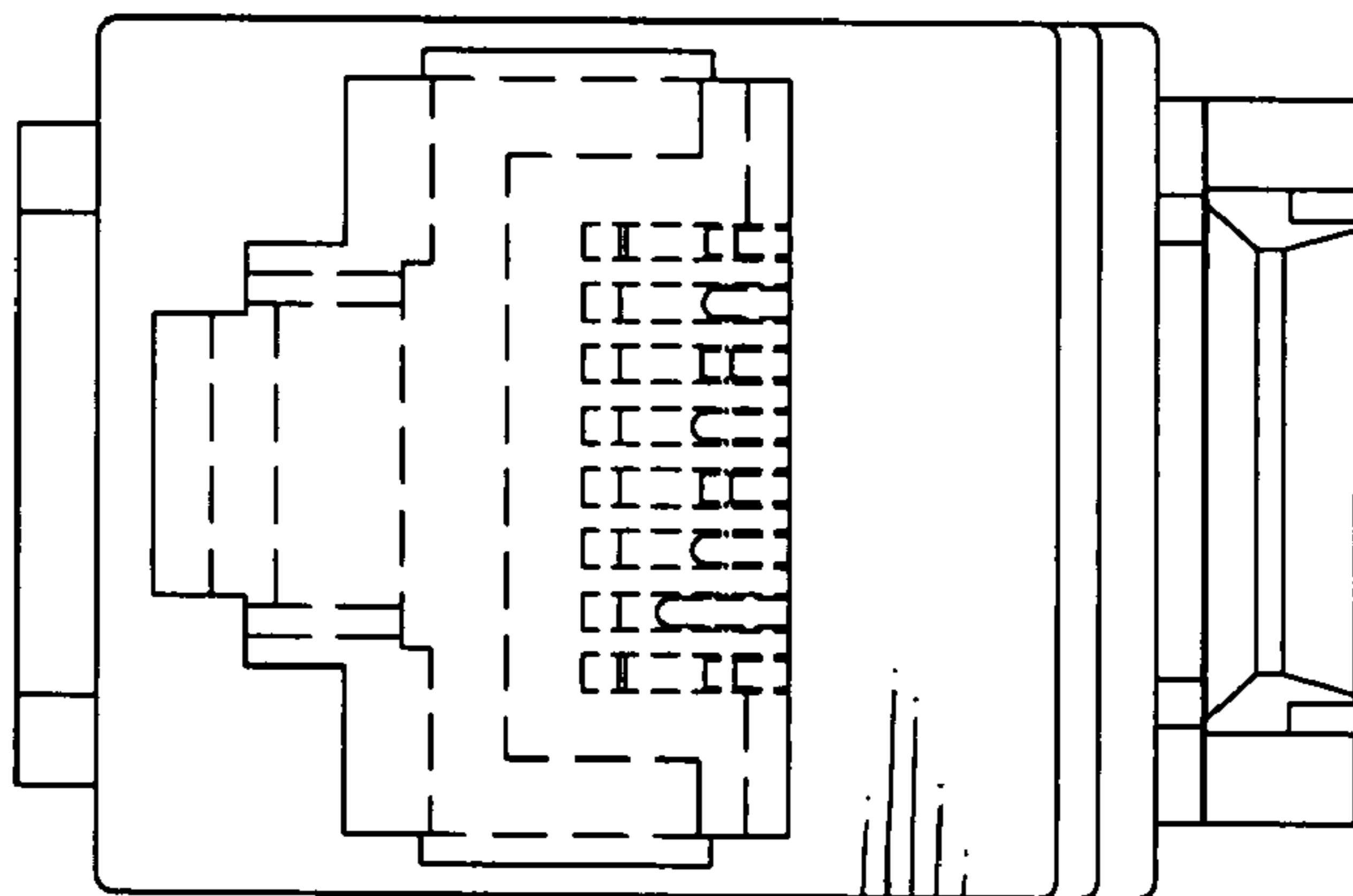


Fig.2

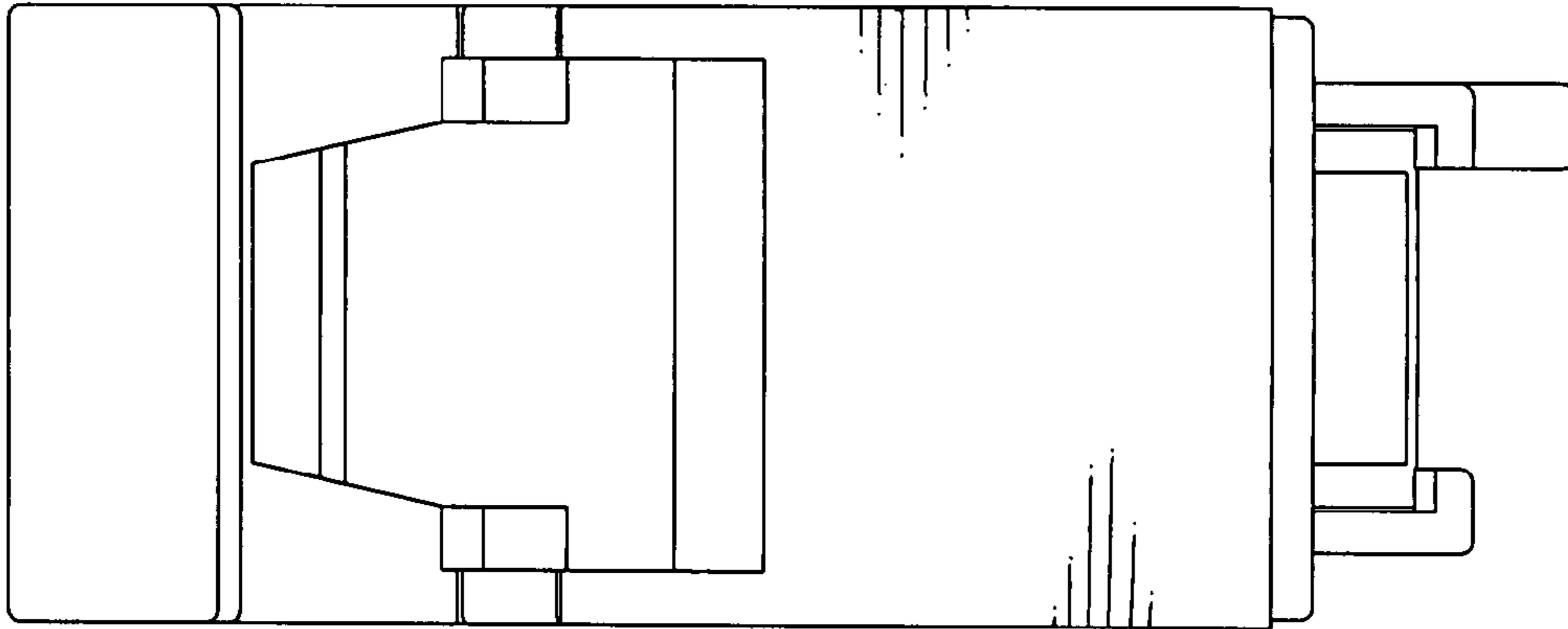


Fig.5

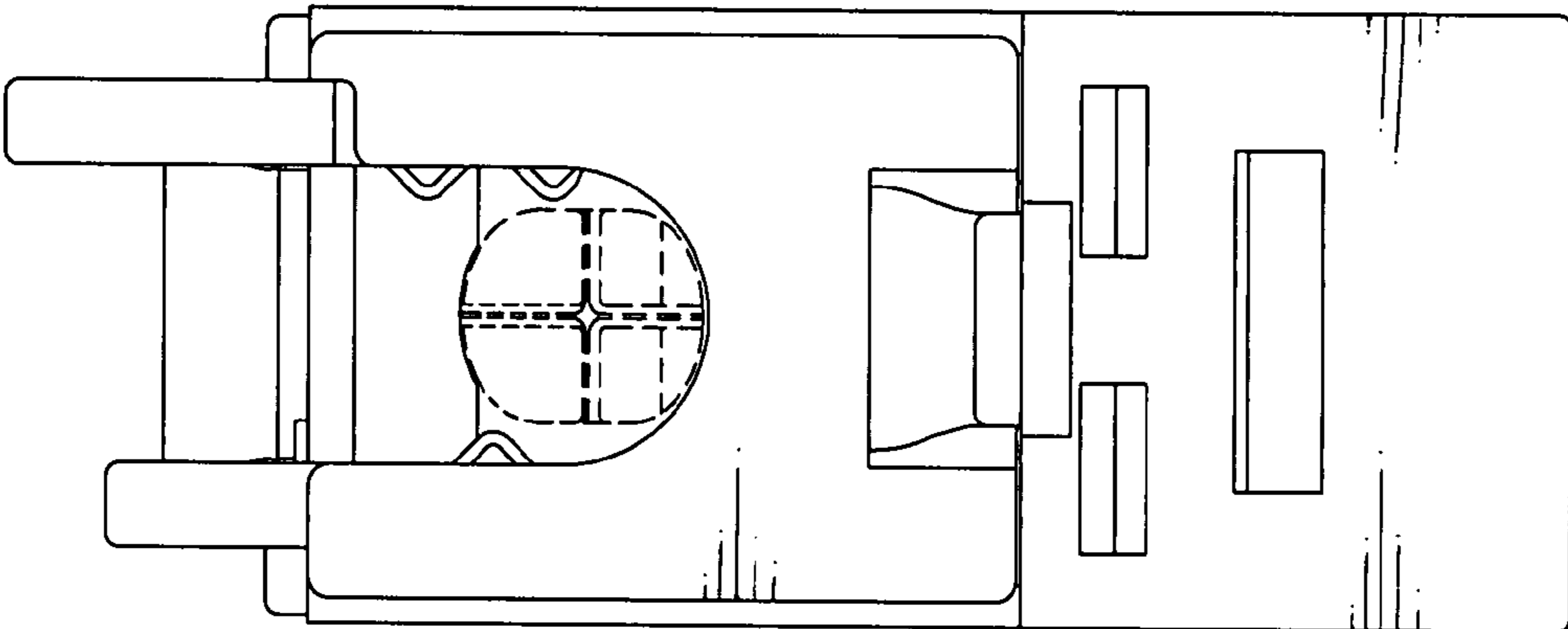


Fig.4

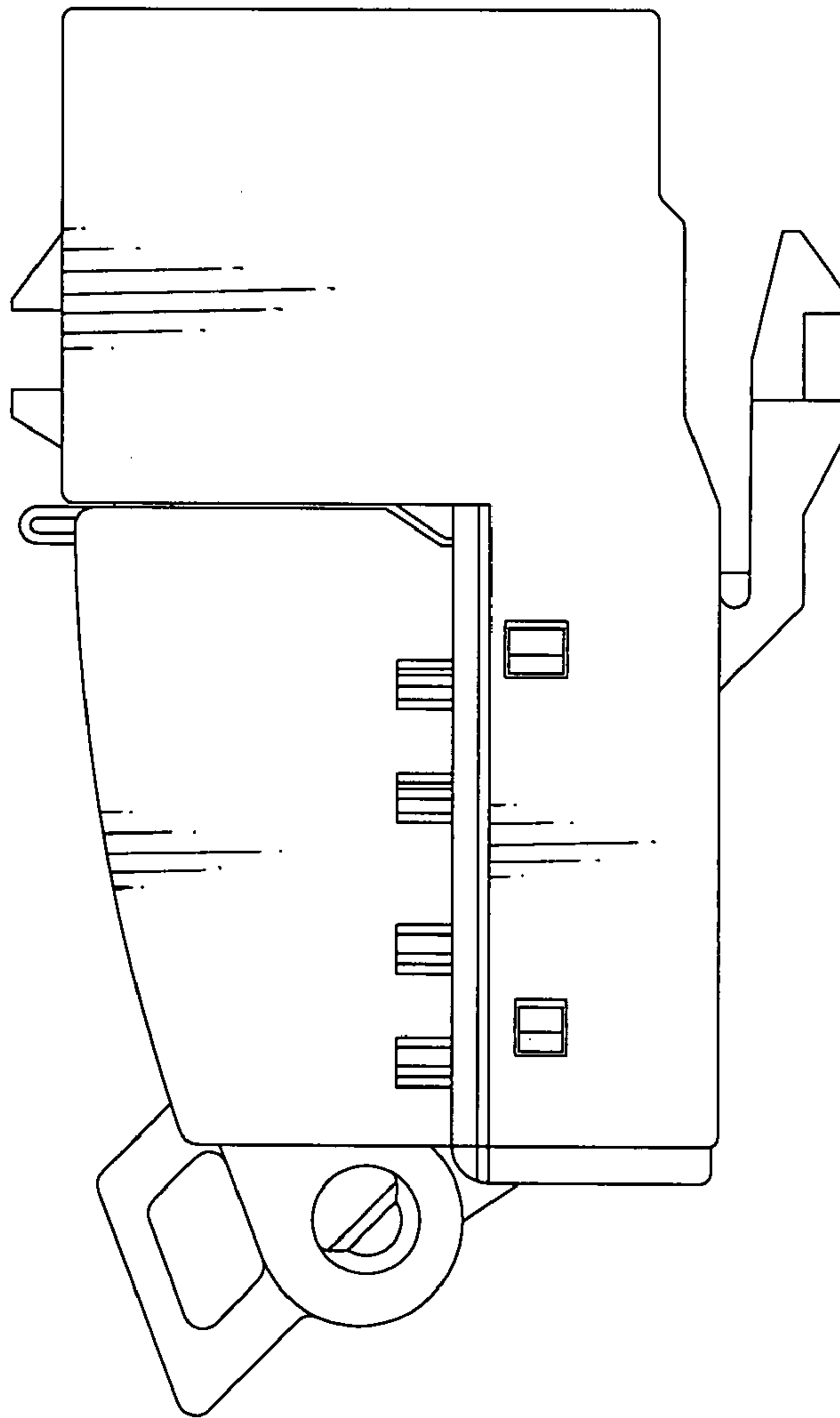


Fig.6

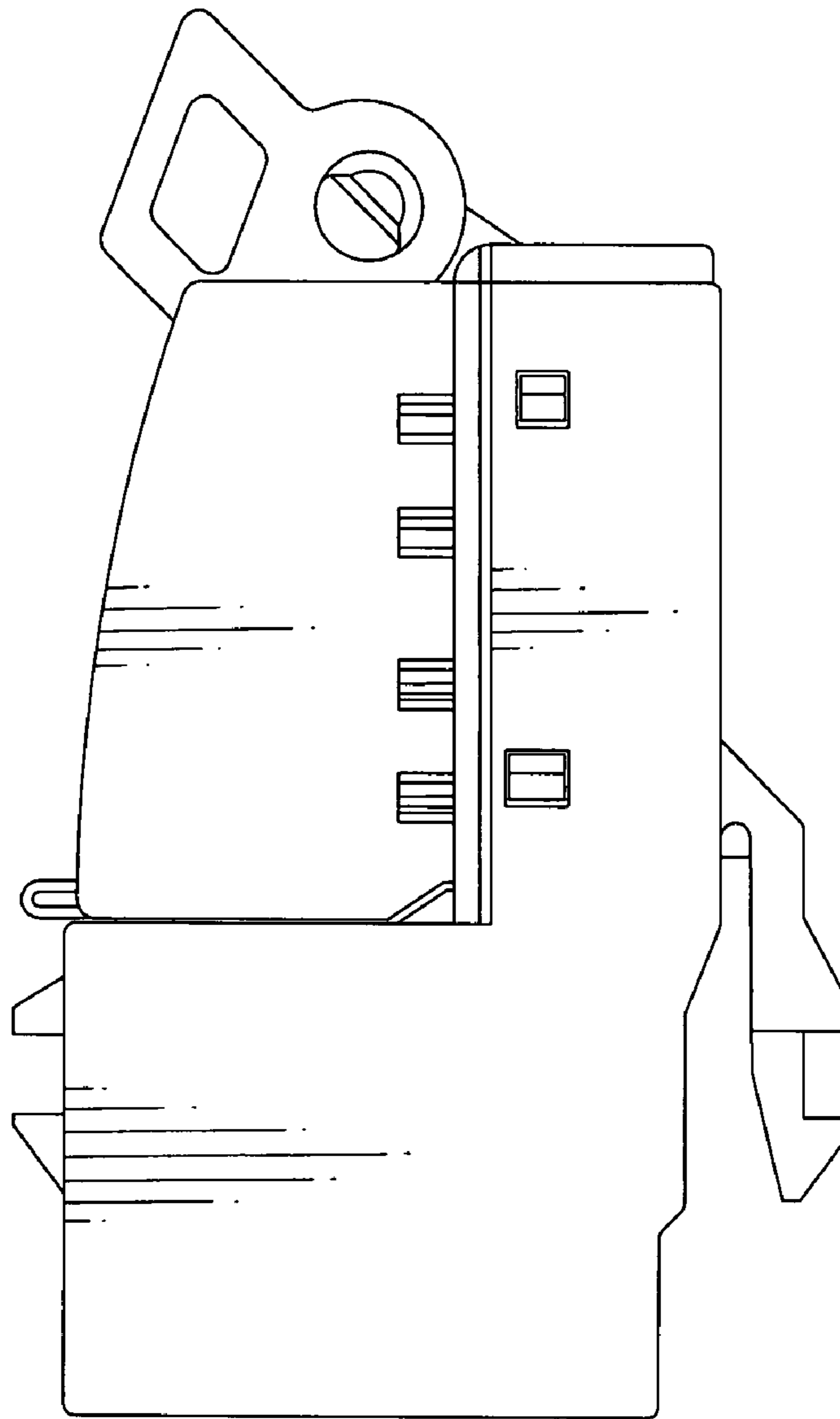
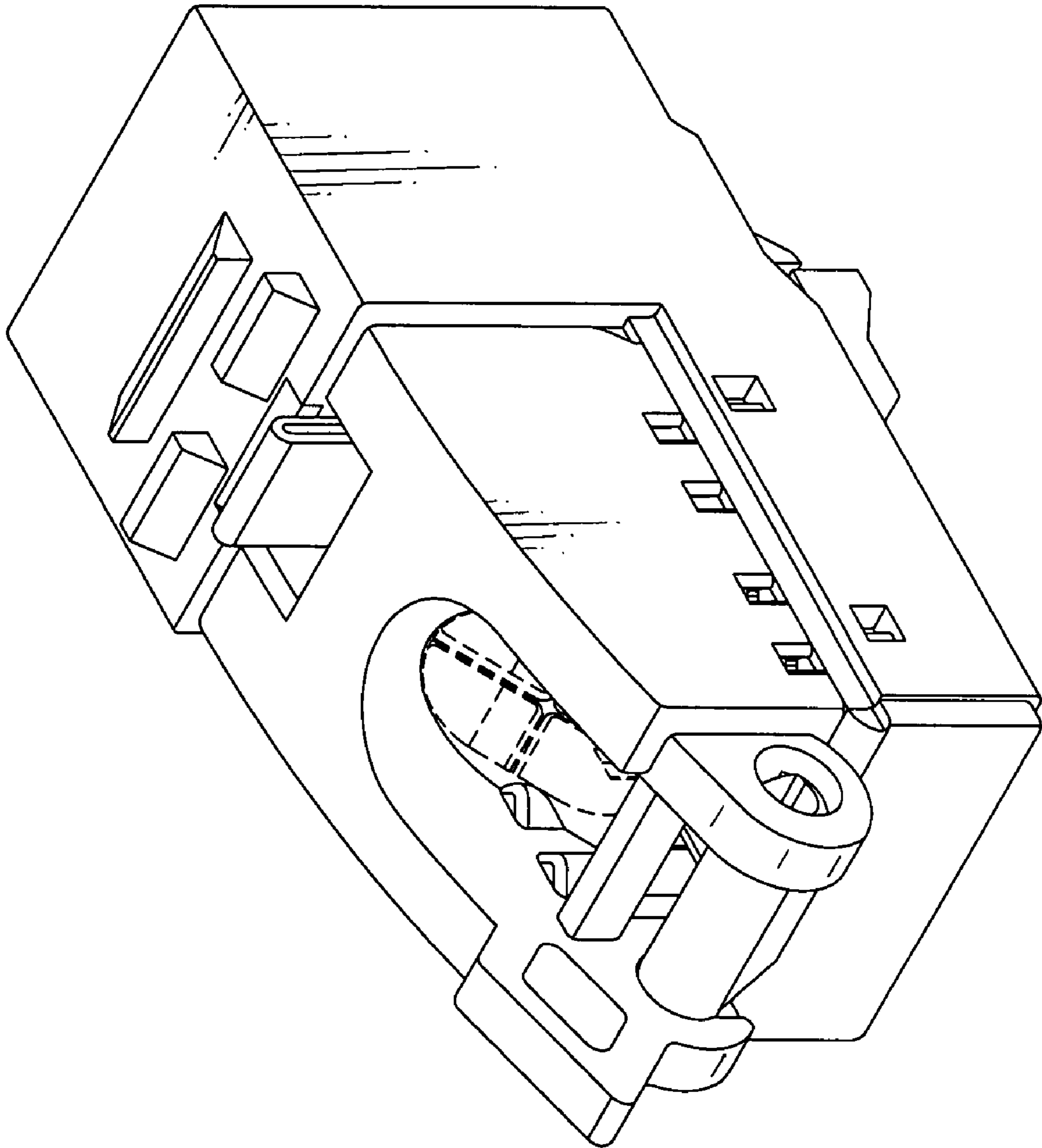


Fig. 7

Fig. 8



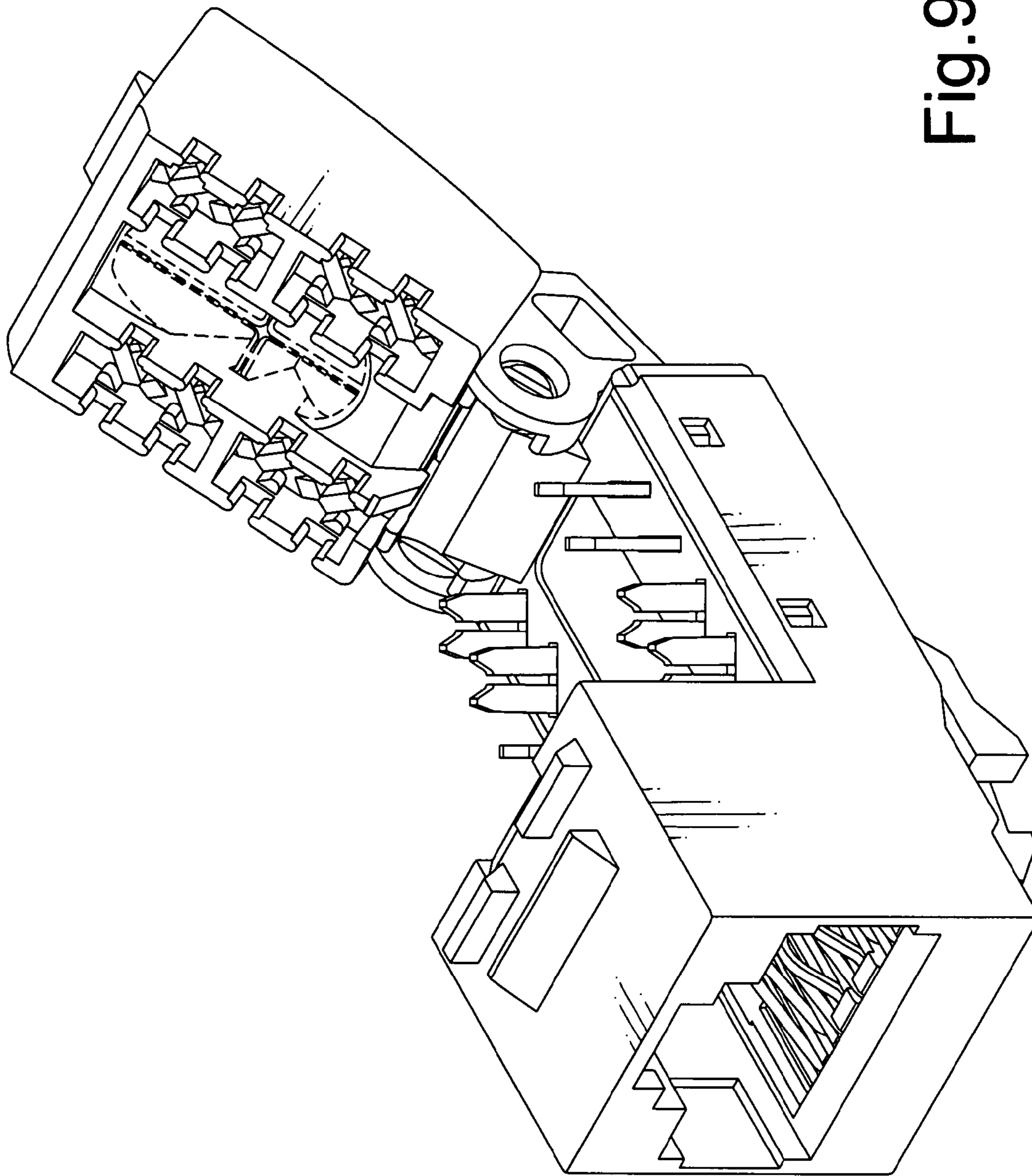


Fig. 9

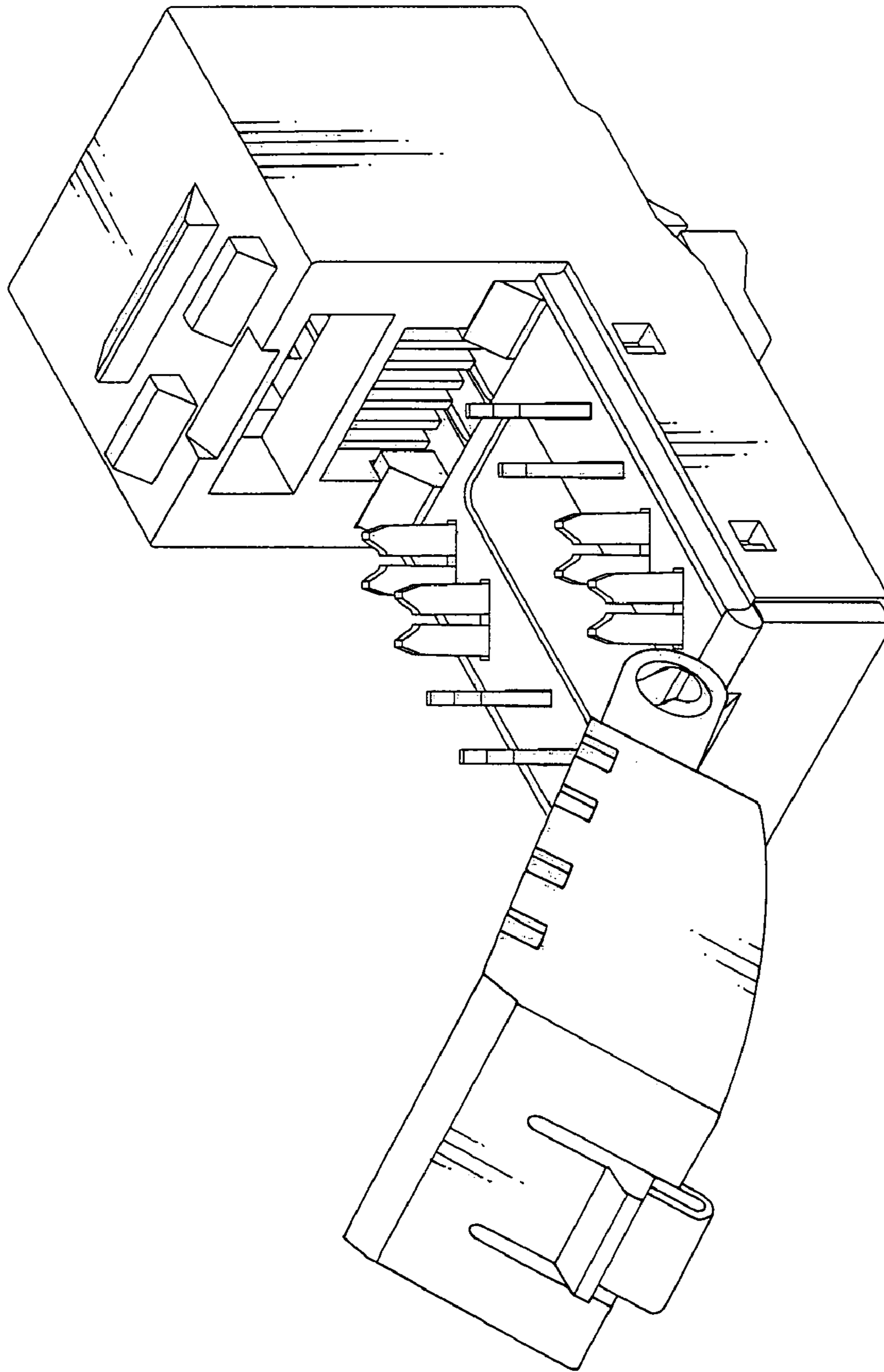


Fig. 10