



US00D552548S

(12) **United States Design Patent**  
**Peng**

(10) **Patent No.:** **US D552,548 S**

(45) **Date of Patent:** **\*\* Oct. 9, 2007**

(54) **ELECTRICAL CONNECTOR CONTACT**

D453,739 S \* 2/2002 Lin ..... D13/148  
6,616,485 B2 \* 9/2003 Harasawa et al. .... 439/630  
D516,038 S \* 2/2006 Liao et al. .... D13/154

(75) Inventor: **Yung-Chi Peng**, Tu-Cheng (TW)

(73) Assignee: **Cheng Uei Precision Industry Co., Ltd.**, Taipei Hsien (TW)

(\*\*) Term: **14 Years**

(21) Appl. No.: **29/257,290**

(22) Filed: **Apr. 3, 2006**

(51) **LOC (8) Cl.** ..... **13-03**

(52) **U.S. Cl.** ..... **D13/133; D13/154**

(58) **Field of Classification Search** ..... D13/133,  
D13/154, 184, 199; 439/395-401, 404, 630,  
439/834, 839, 845, 849-850, 861-862, 872,  
439/877, 888-891

See application file for complete search history.

(56) **References Cited**

**U.S. PATENT DOCUMENTS**

4,113,338 A \* 9/1978 Spaulding ..... 439/406  
5,782,646 A \* 7/1998 Broadfield et al. .... 439/346  
D434,375 S \* 11/2000 Kawamoto ..... D13/133

\* cited by examiner

*Primary Examiner*—Daniel Bui

(74) *Attorney, Agent, or Firm*—Rosenberg, Klein & Lee

(57) **CLAIM**

The ornamental design for an electrical connector contact, as shown and described.

**DESCRIPTION**

FIG. 1 is a perspective view of an electrical connector contact showing my new design;

FIG. 2 is a front elevational view thereof;

FIG. 3 is a rear elevational view thereof;

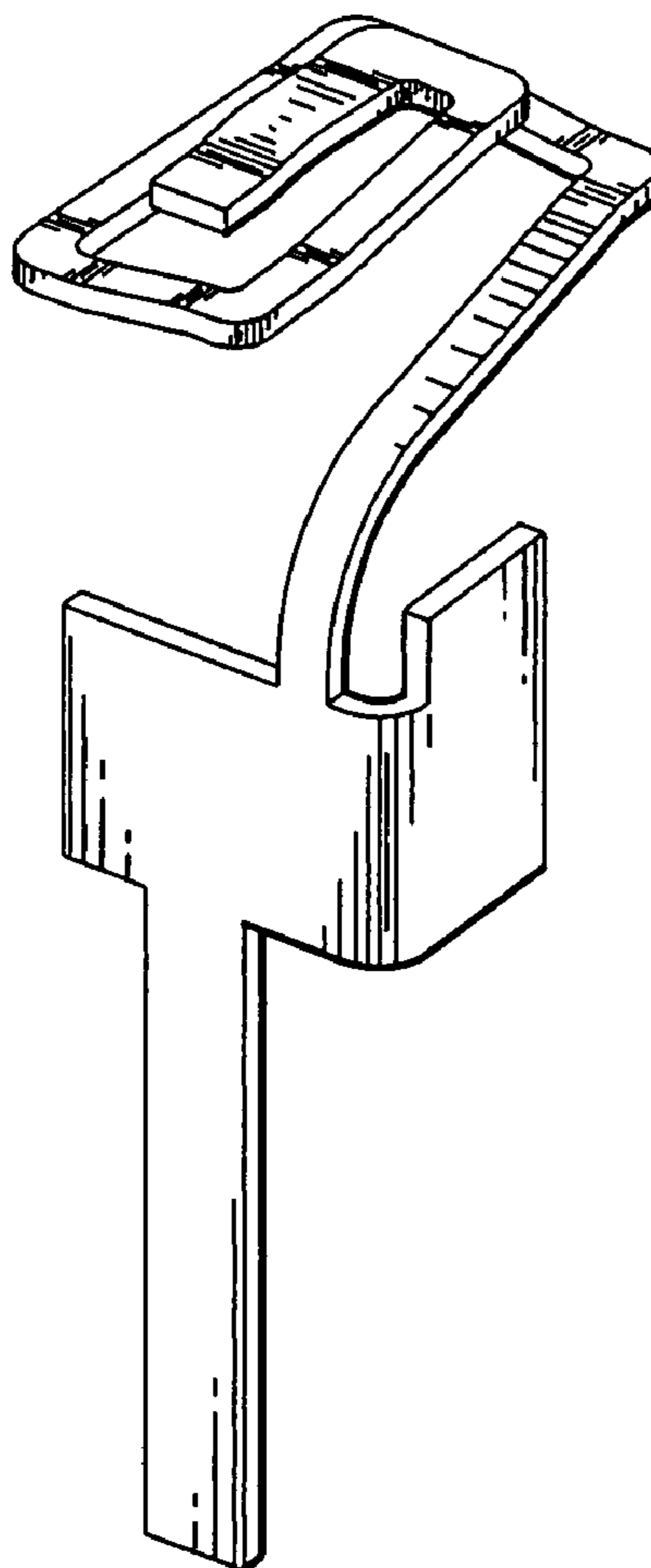
FIG. 4 is a left side elevational view thereof;

FIG. 5 is a right side elevational view thereof;

FIG. 6 is a top plan view thereof; and,

FIG. 7 is a bottom plan view thereof.

**1 Claim, 7 Drawing Sheets**



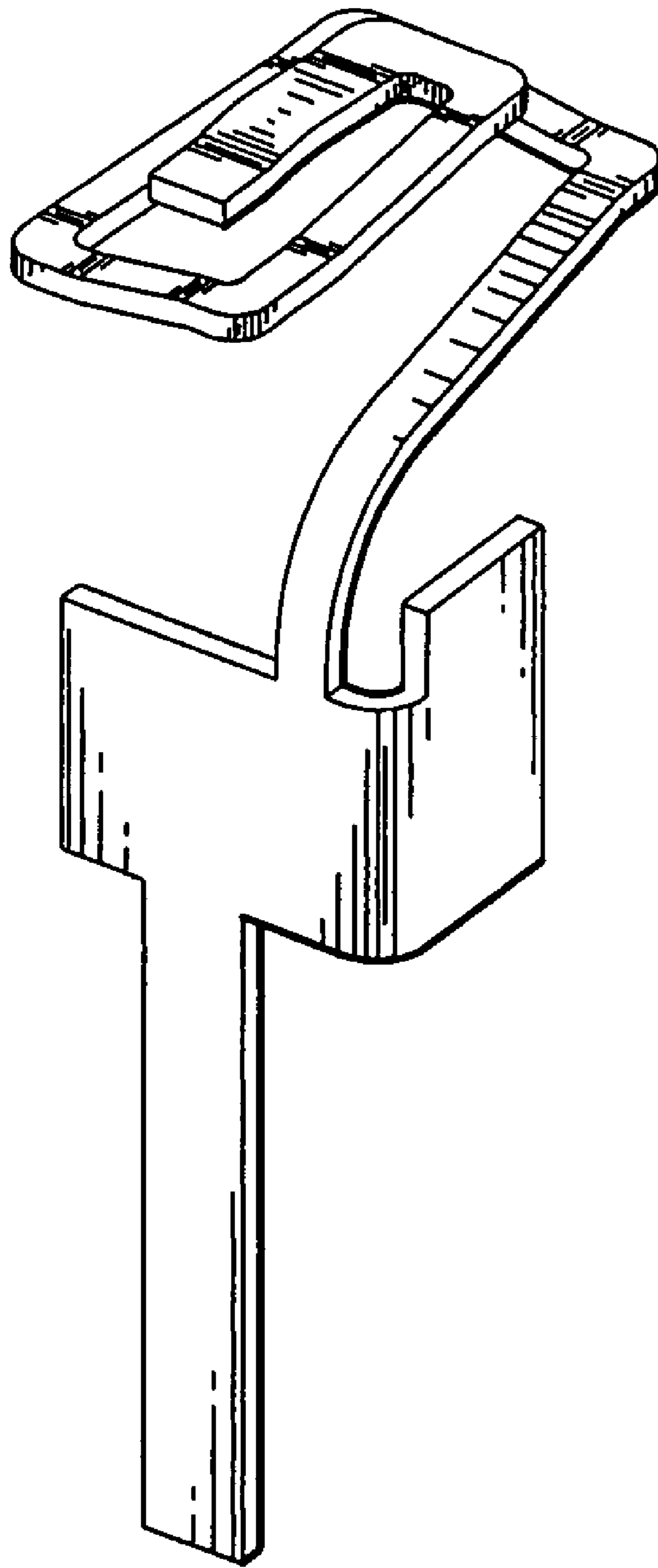


FIG. 1

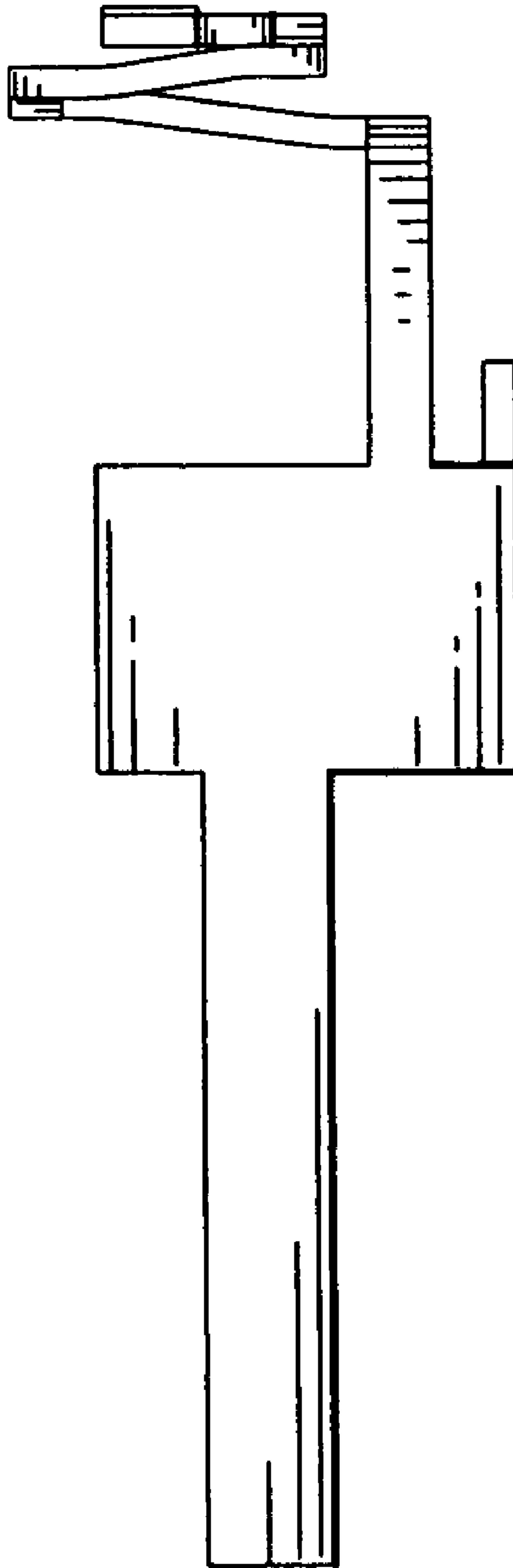


FIG. 2

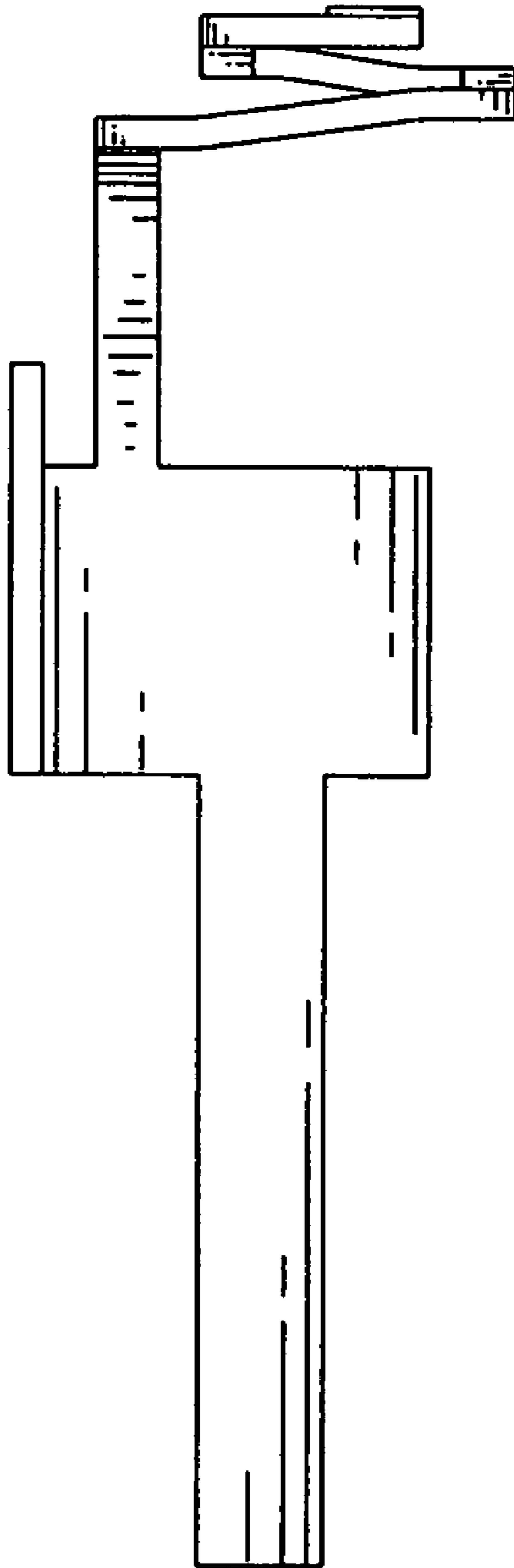


FIG. 3



FIG. 4

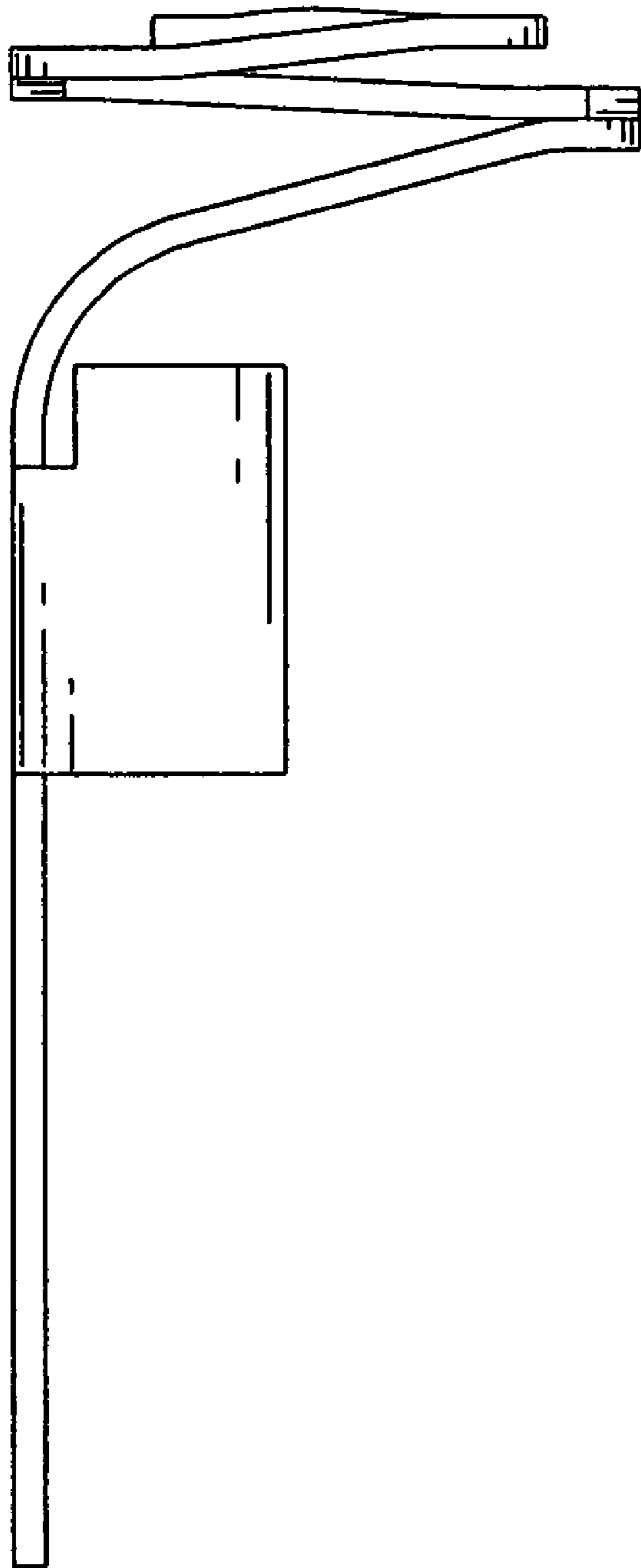


FIG. 5

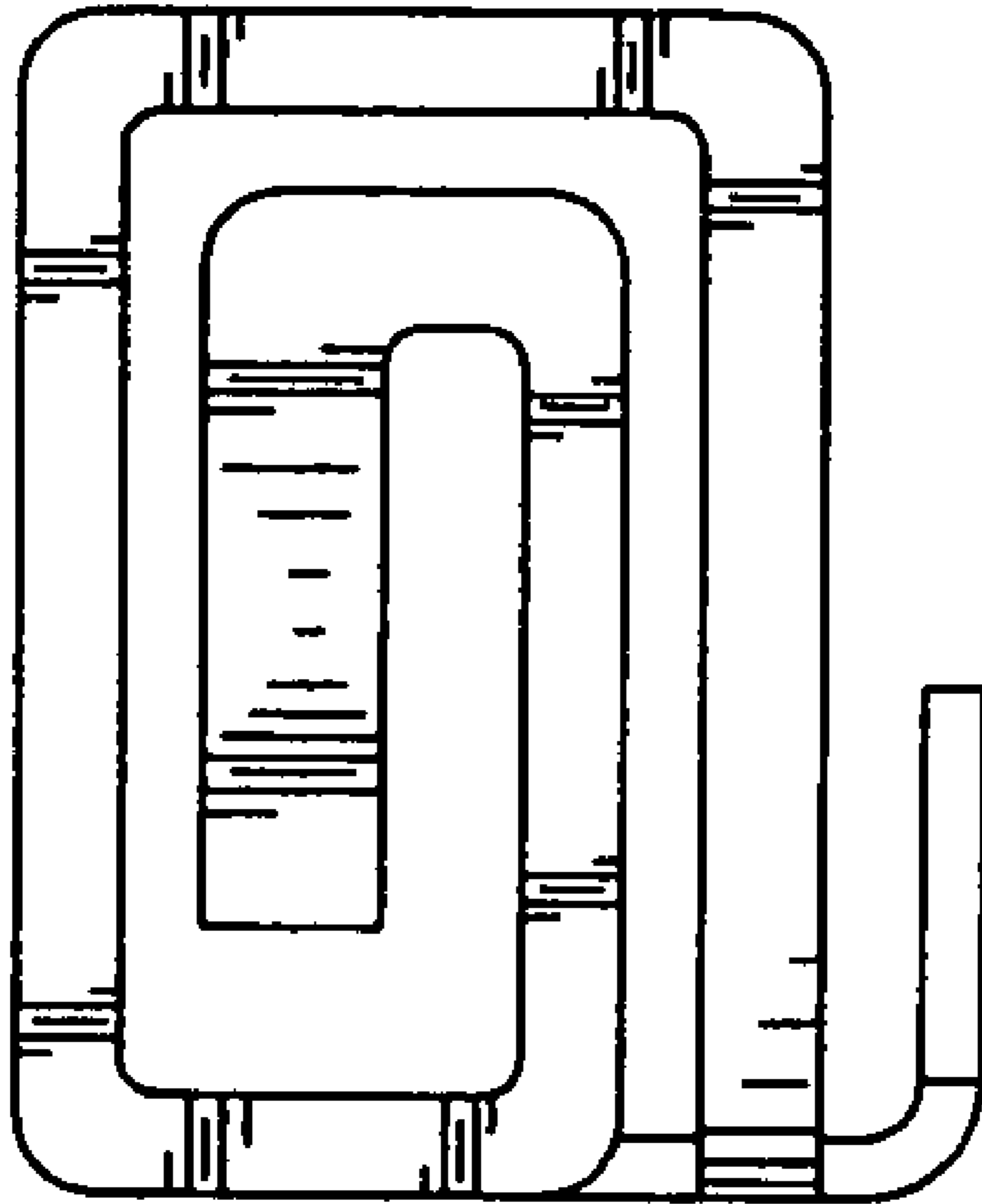


FIG. 6

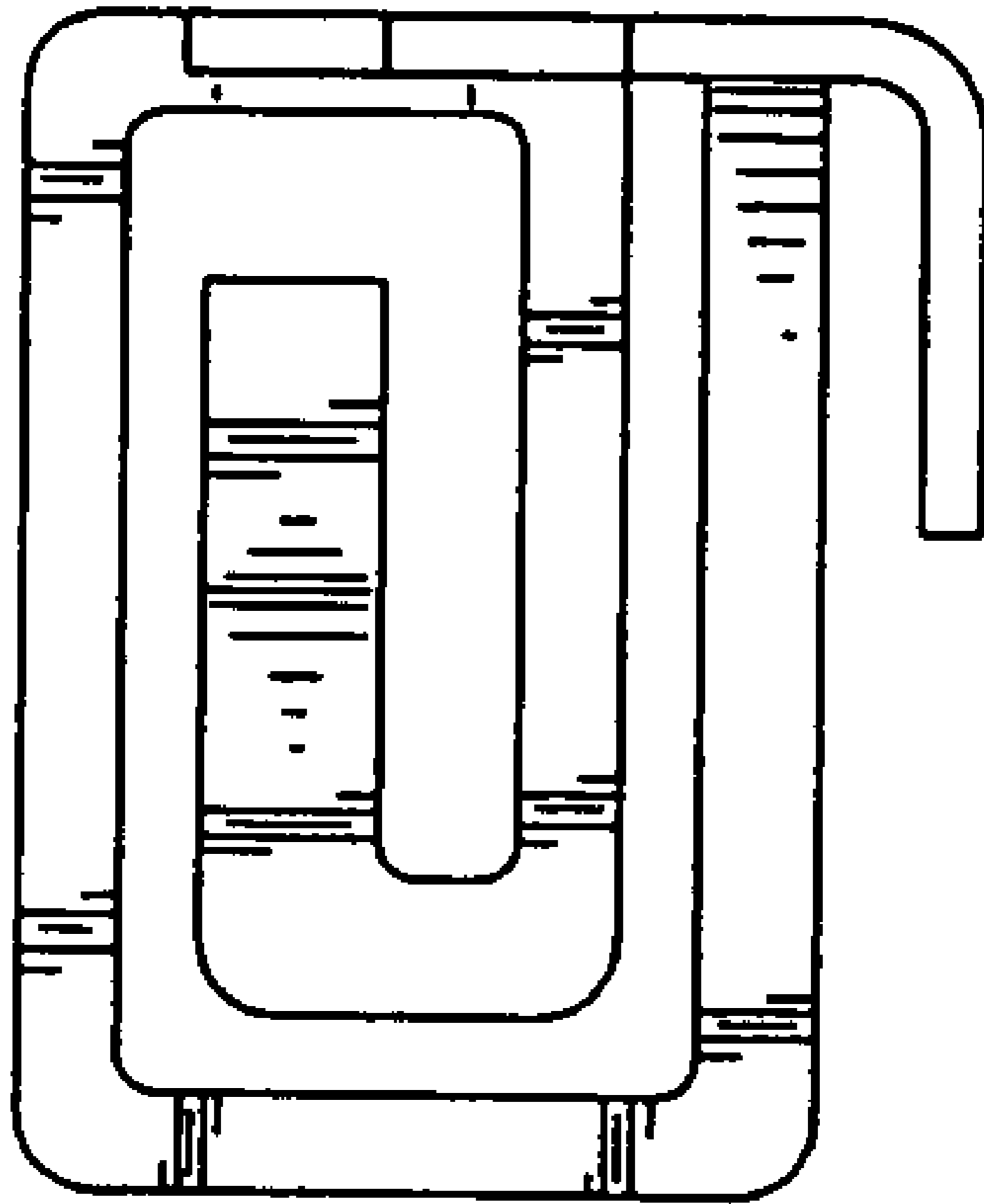


FIG. 7