



US00D552547S

(12) **United States Design Patent**
Nishio et al.

(10) **Patent No.:** **US D552,547 S**

(45) **Date of Patent:** **** Oct. 9, 2007**

(54) **CONNECTOR**

(75) Inventors: **Atsushi Nishio**, Tama (JP); **Takashi Kawasaki**, Tama (JP); **Masashi Ouchi**, Tama (JP); **Takahiro Shimoyama**, Tama (JP)

(73) Assignee: **Mitsumi Electric Co., Ltd.**, Tokyo (JP)

(**) Term: **14 Years**

(21) Appl. No.: **29/245,635**

(22) Filed: **Dec. 28, 2005**

(30) **Foreign Application Priority Data**

Aug. 12, 2005 (JP) 2005-023583

(51) **LOC (8) Cl.** **13-03**

(52) **U.S. Cl.** **D13/133; D13/147**

(58) **Field of Classification Search** D13/133,
D13/146-147, 154, 184, 199; D14/356,
D14/363, 365, 385, 433; 439/350, 607-610,
439/677, 680-682

See application file for complete search history.

(56) **References Cited**

U.S. PATENT DOCUMENTS

D378,209 S * 2/1997 Morikawa et al. D13/147
D395,036 S * 6/1998 Goto D13/147
D414,743 S * 10/1999 Katoh D13/147

D417,433 S * 12/1999 Katoh D13/147
D425,860 S * 5/2000 Goto D13/133
D432,500 S * 10/2000 Nishio et al. D13/147
D453,498 S * 2/2002 Fujita D13/147
D516,037 S * 2/2006 Huang et al. D13/147
D531,580 S * 11/2006 Nishio et al. D13/147
2004/0115990 A1* 6/2004 Kodama 439/607

* cited by examiner

Primary Examiner—Daniel Bui

(74) *Attorney, Agent, or Firm*—Sughrue Mion, PLLC

(57) **CLAIM**

The ornamental design for a connector, as shown and described.

DESCRIPTION

FIG. 1 is a perspective view of the top, front and right side of a connector showing our new design;

FIG. 2 is a top plan view thereof;

FIG. 3 is a right side elevational view thereof;

FIG. 4 is a front elevational view thereof;

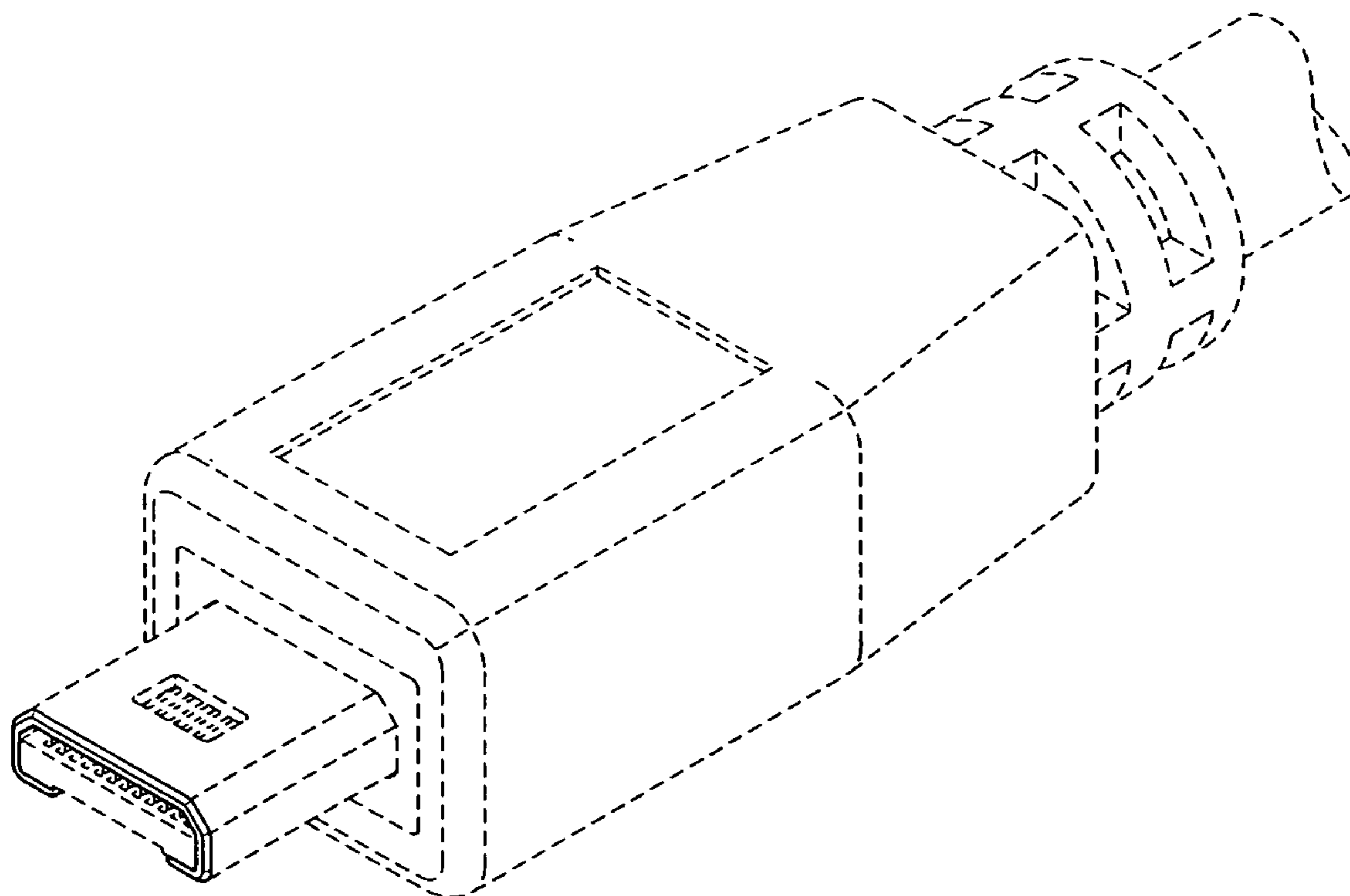
FIG. 5 is a rear elevational view thereof;

FIG. 6 is a left side elevational view thereof; and,

FIG. 7 is a bottom plan view thereof.

The portions shown in broken lines are for illustrative purposes only and form no part of the claimed design.

1 Claim, 2 Drawing Sheets



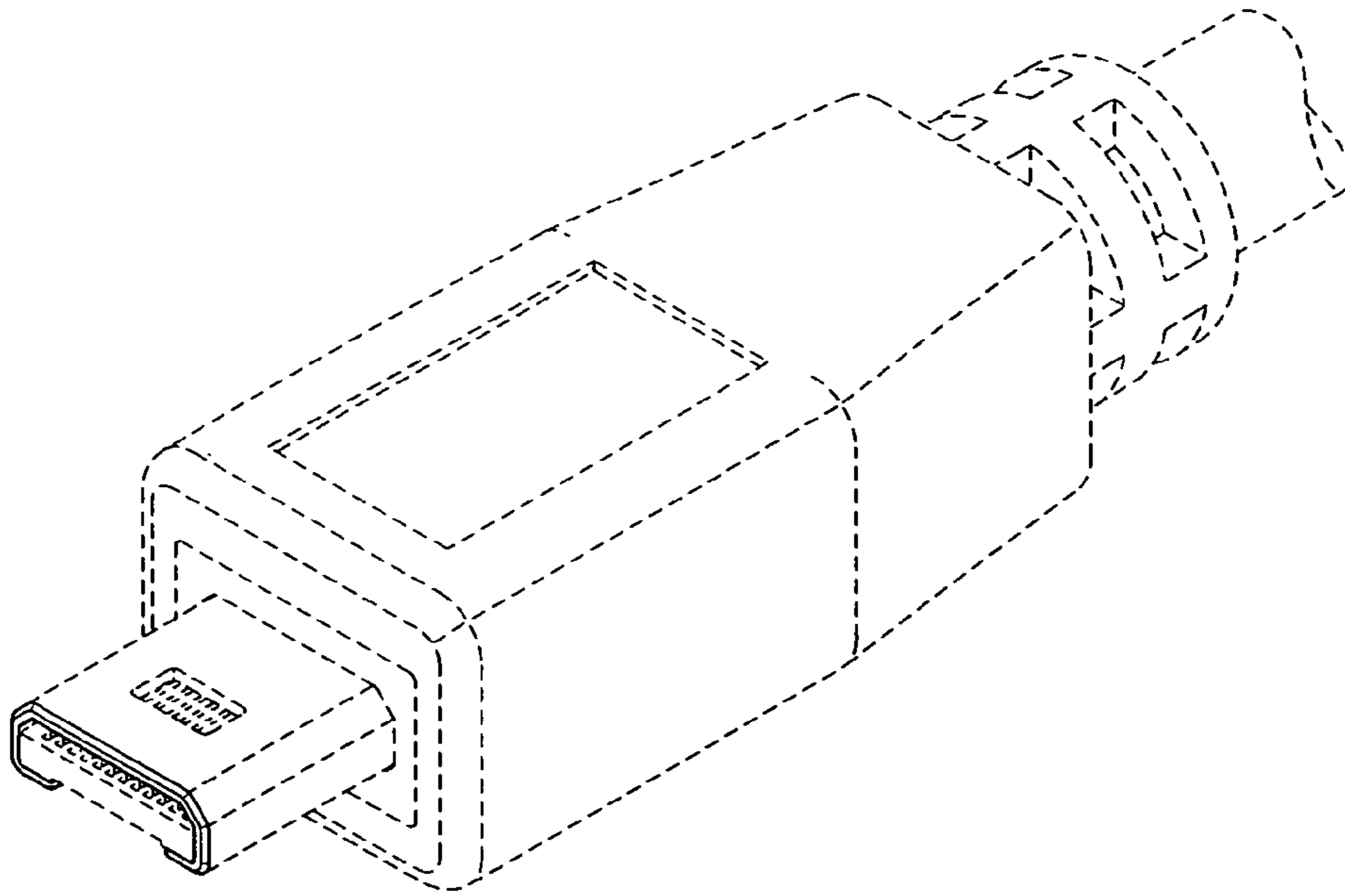


FIG. 1

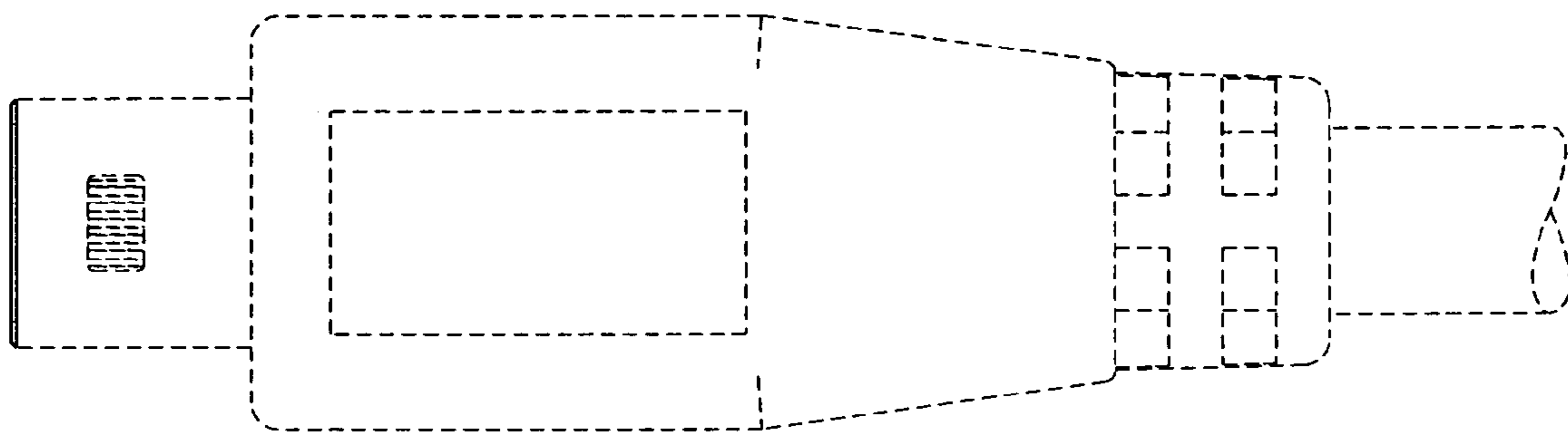


FIG. 2

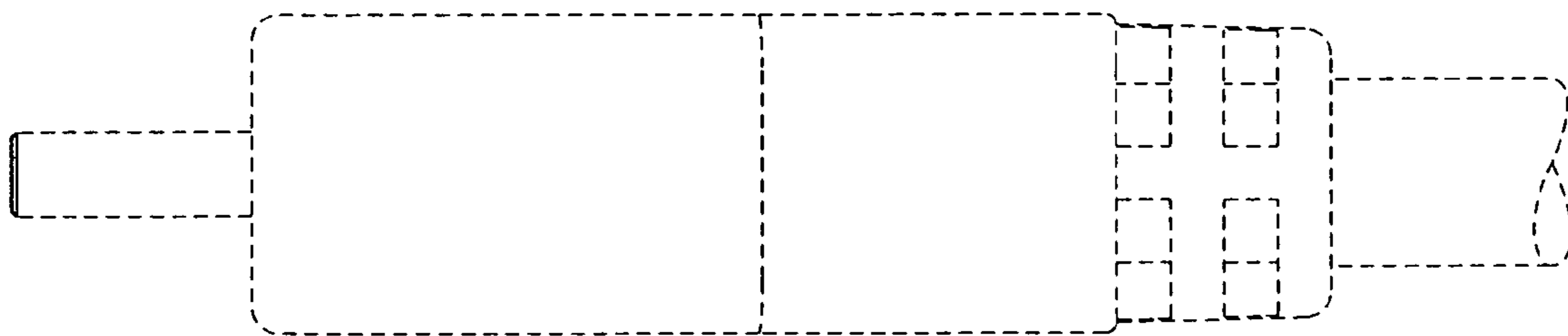


FIG. 3

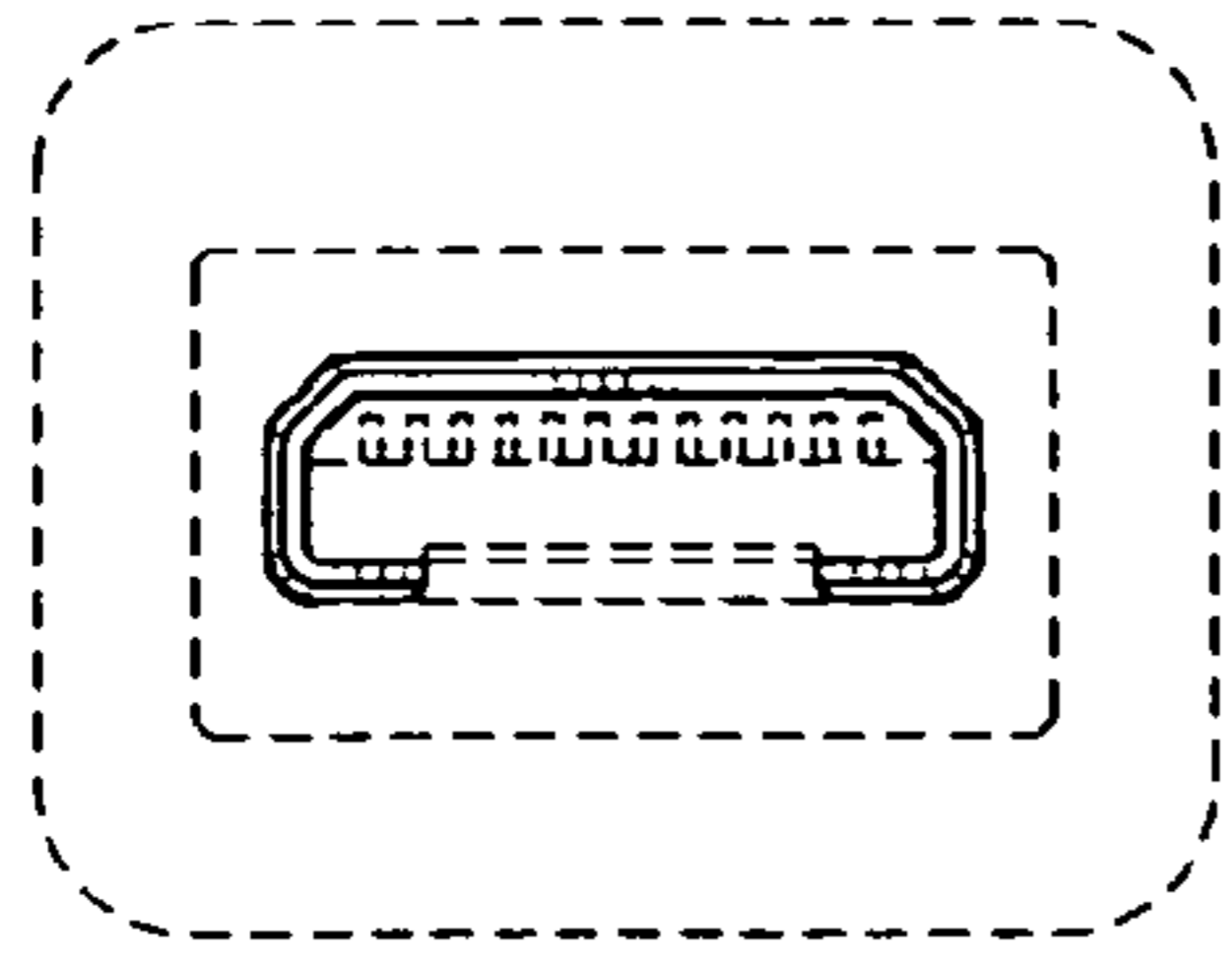


FIG. 4

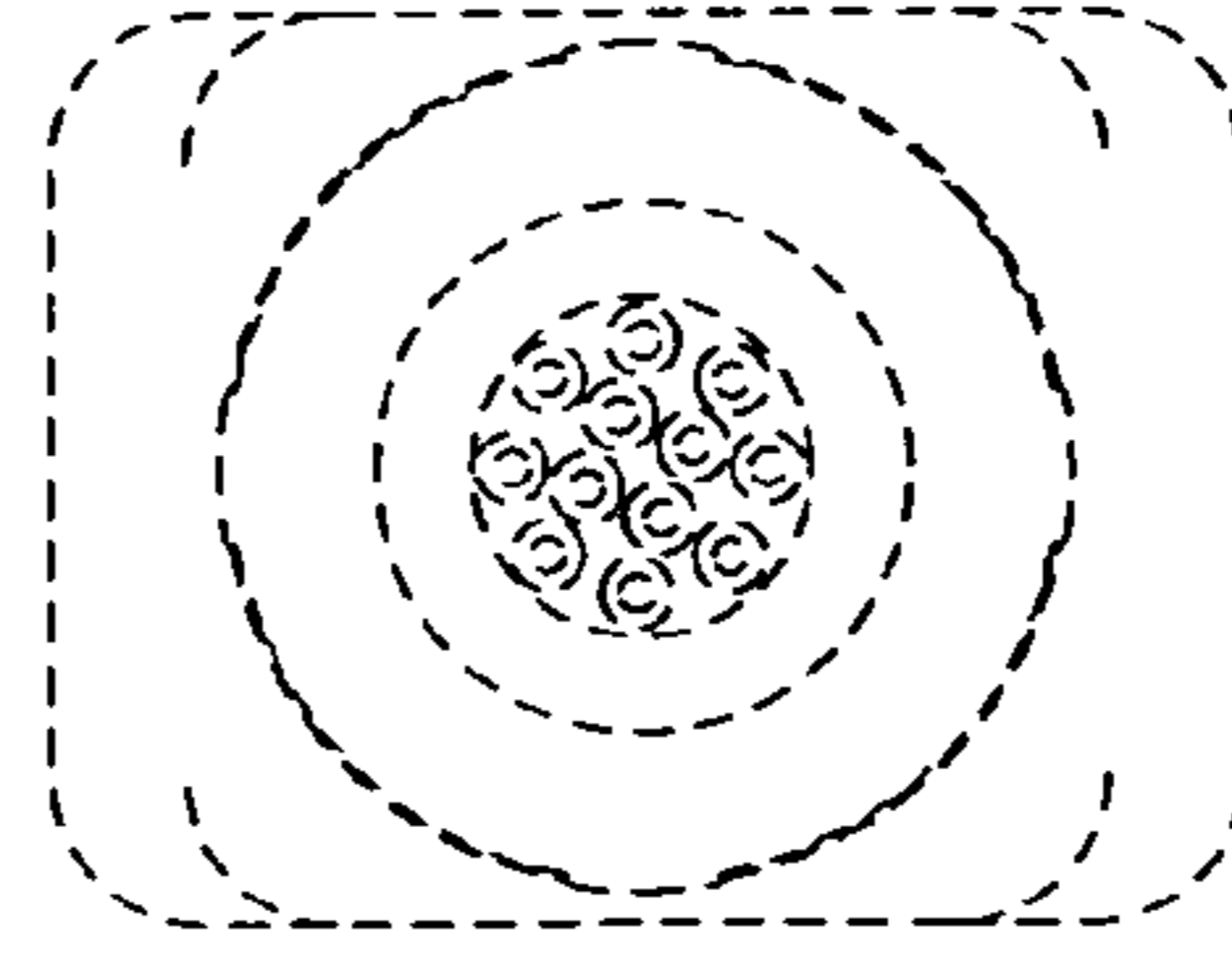


FIG. 5

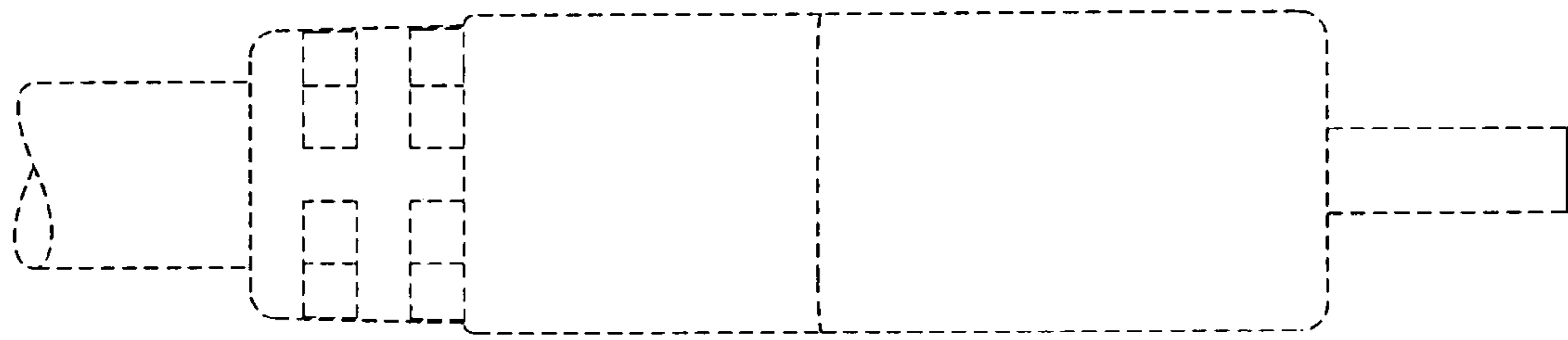


FIG. 6

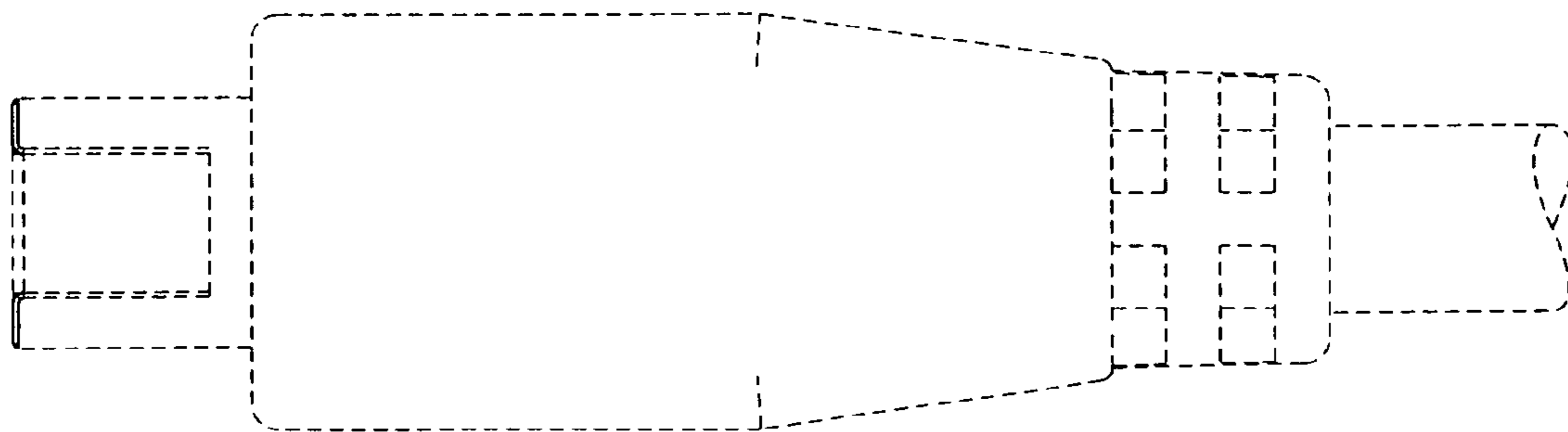


FIG. 7