



US00D552545S

(12) **United States Design Patent**  
**Ro**

(10) **Patent No.:** **US D552,545 S**

(45) **Date of Patent:** **\*\* Oct. 9, 2007**

(54) **ELECTRIC CONTACTOR**

(75) Inventor: **Young-Baik Ro**, Hwasung (KR)

(73) Assignee: **UJU Electronics Co., Ltd.**, Hwasung (KR)

(\*\*) Term: **14 Years**

(21) Appl. No.: **29/239,454**

(22) Filed: **Sep. 28, 2005**

(30) **Foreign Application Priority Data**

Aug. 5, 2005 (KR) ..... 30-2005-0026314

(51) **LOC (8) Cl.** ..... **13-03**

(52) **U.S. Cl.** ..... **D13/133**

(58) **Field of Classification Search** ..... D13/133,  
D13/149, 154, 184, 199; 439/732, 844, 851-852,  
439/865-867, 872, 877, 884  
See application file for complete search history.

(56) **References Cited**

**U.S. PATENT DOCUMENTS**

D332,773 S \* 1/1993 Sato et al. .... D13/149

D454,545 S \* 3/2002 Hayashi et al. .... D13/154

D464,323 S \* 10/2002 Harasawa et al. .... D13/154

D475,022 S \* 5/2003 Kihira et al. .... D13/154

2004/0209529 A1 10/2004 Kuroda et al.

2005/0085128 A1\* 4/2005 Chai et al. .... 439/607

2005/0287875 A1\* 12/2005 Kojima ..... 439/750

\* cited by examiner

*Primary Examiner*—Daniel Bui

(74) *Attorney, Agent, or Firm*—IPLA P.A.; James E. Bame

(57) **CLAIM**

The ornamental design for an electric contactor, as shown and described.

**DESCRIPTION**

FIG. 1 is a perspective view of an electric contactor showing my new design;

FIG. 2 is a side elevational view thereof, the opposite side being a mirror image;

FIG. 3 is a front elevational view thereof;

FIG. 4 is a rear elevational view thereof;

FIG. 5 is a top plan view thereof; and,

FIG. 6 is a bottom plan view thereof.

**1 Claim, 2 Drawing Sheets**

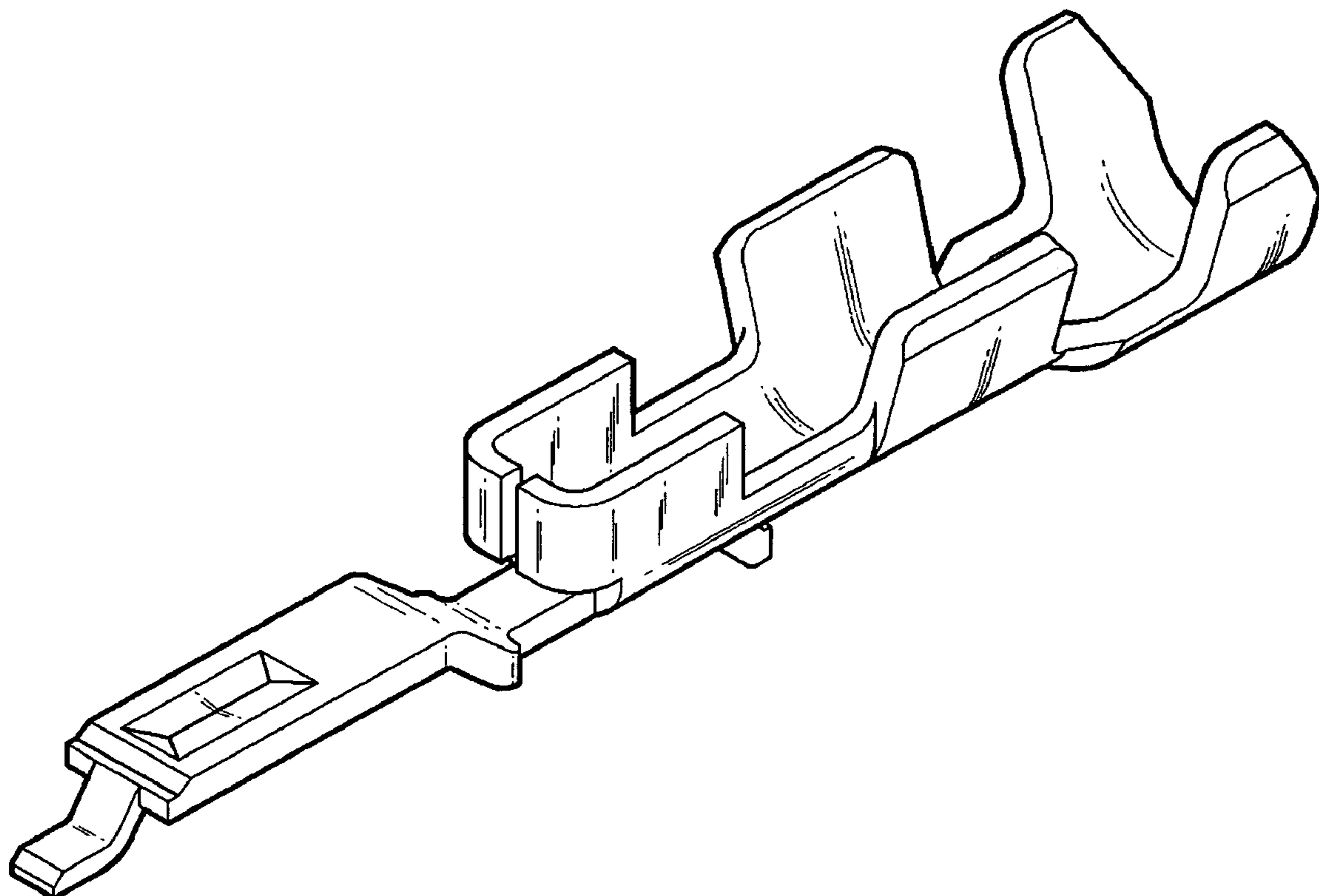


FIG. 1

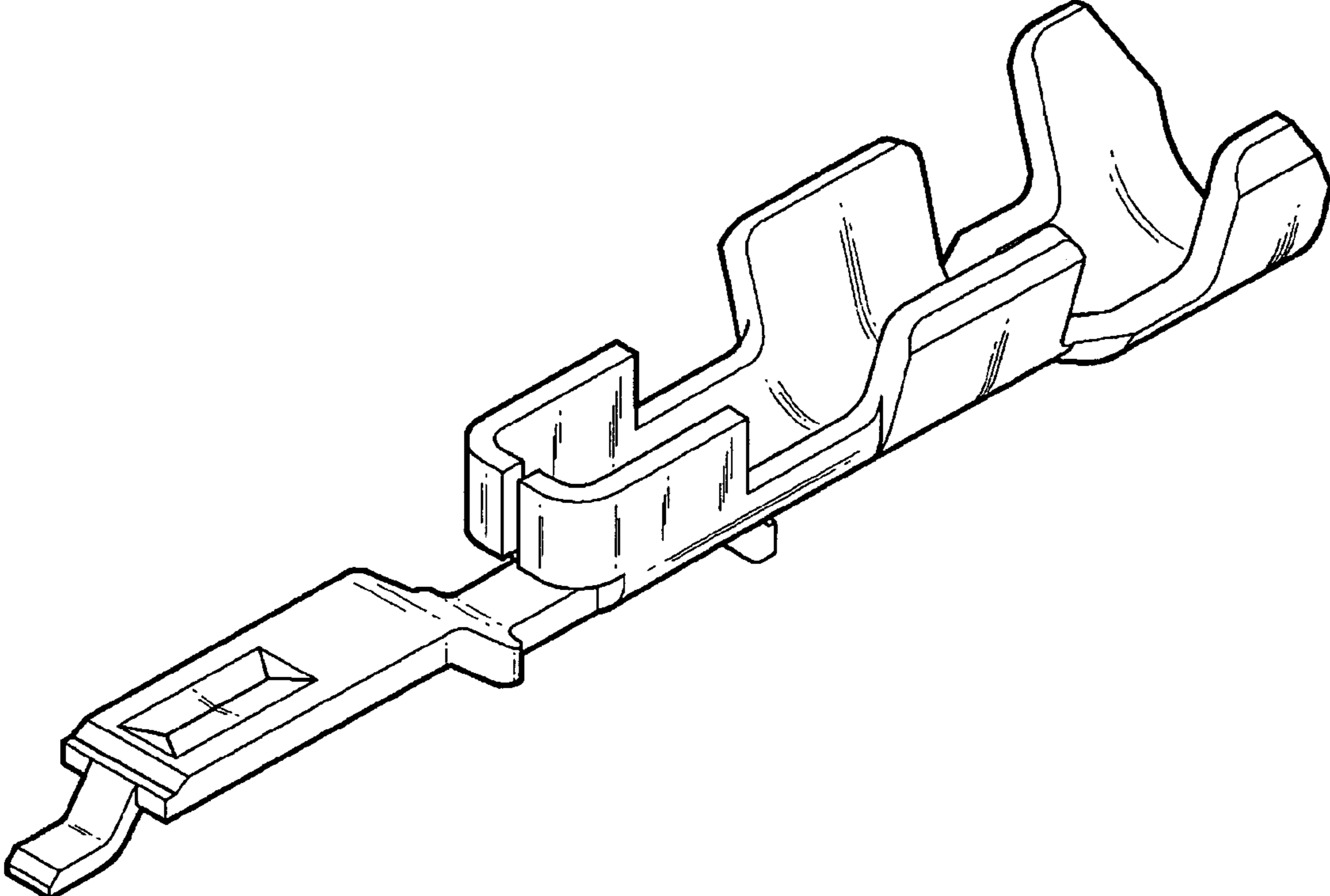


FIG. 2

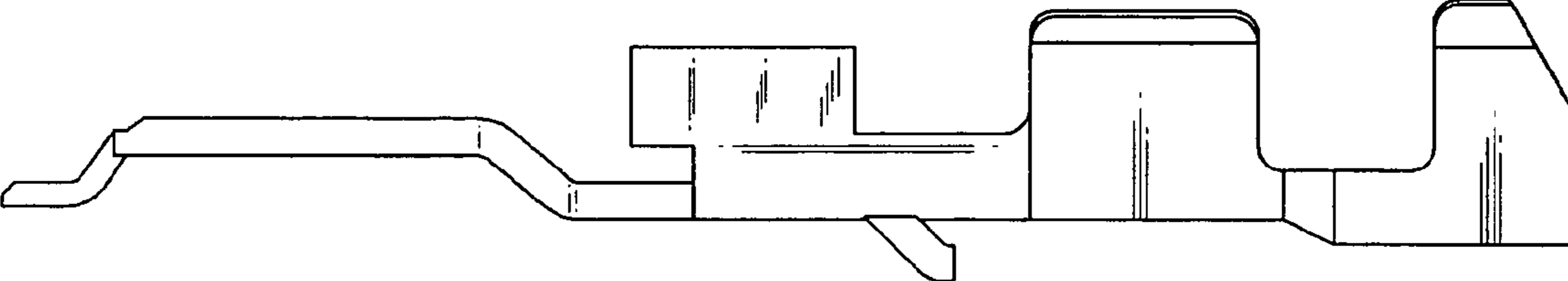


FIG. 3

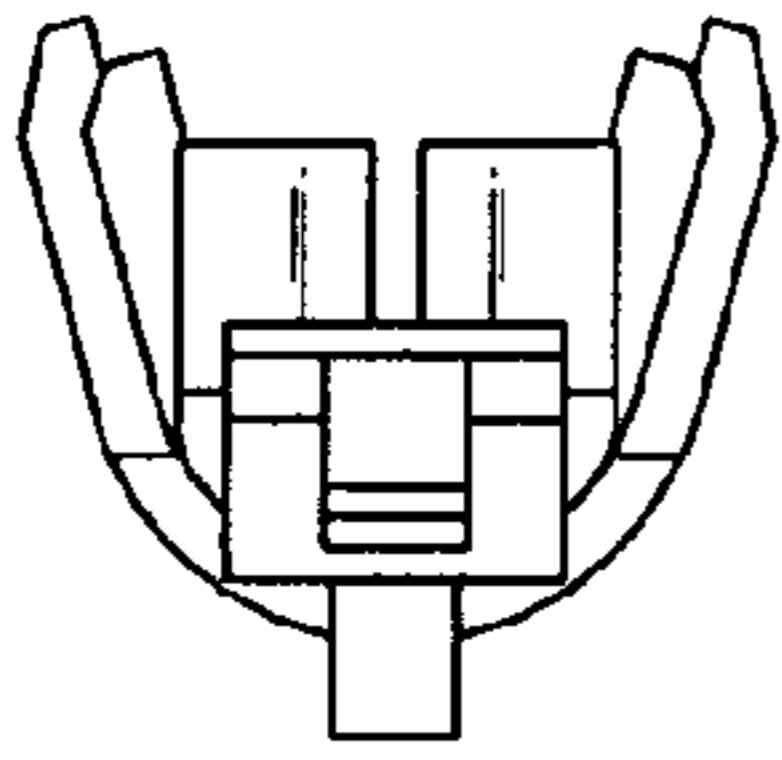


FIG. 4

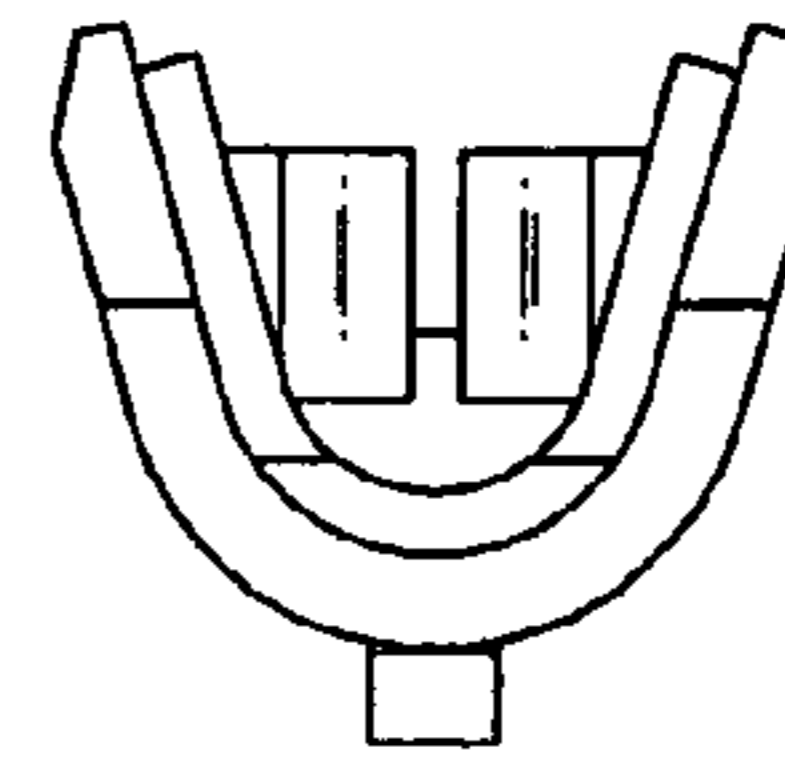


FIG. 5

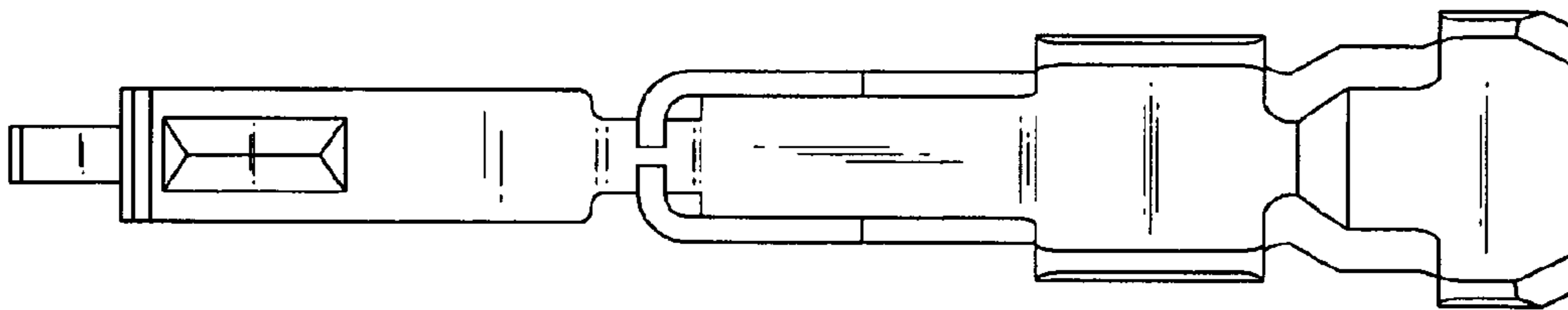


FIG. 6

