



US00D552544S

(12) **United States Design Patent** (10) **Patent No.:** **US D552,544 S**
Sichner et al. (45) **Date of Patent:** **** Oct. 9, 2007**

(54) **BACKPLANE SECTION**

(75) Inventors: **Gregg M. Sichner**, Mentor, OH (US);
Douglas A. Lostoski, Richfield, OH
(US); **Robert J. Hager**, Windsor, OH
(US); **Robert A. Kozlowski**, Twinsburg,
OH (US)

(73) Assignee: **Rockwell Automation Technologies,
Inc.**, Mayfield Heights, OH (US)

(**) Term: **14 Years**

(21) Appl. No.: **29/209,611**

(22) Filed: **Jul. 17, 2004**

Related U.S. Application Data

(63) Continuation-in-part of application No. 10/716,080,
filed on Nov. 17, 2003, now Pat. No. 6,881,101,
which is a continuation-in-part of application No.
10/716,081, filed on Nov. 17, 2003, now Pat. No.
6,916,194.

(51) **LOC (8) Cl.** **13-03**

(52) **U.S. Cl.** **D13/123**

(58) **Field of Classification Search** D13/123,
D13/133, 146-147, 151, 154, 184, 199; 307/147;
361/735; 439/271, 281, 527, 652, 535-536,
439/594, 701, 736, 762, 540.1, 712-717,
439/928

See application file for complete search history.

(56) **References Cited**

U.S. PATENT DOCUMENTS

6,081,048 A 6/2000 Bergmann et al.
6,123,585 A 9/2000 Hussong et al.
D443,248 S * 6/2001 Sakasegawa D13/123

D443,586 S * 6/2001 Sakasegawa D13/123
6,475,036 B2 11/2002 Morikawa
6,634,910 B2 10/2003 Lieb et al.
6,881,101 B2 * 4/2005 Sichner et al. 439/717
6,916,194 B2 * 7/2005 Sichner et al. 439/271
7,021,974 B2 * 4/2006 Sichner et al. 439/717

* cited by examiner

Primary Examiner—Daniel Bui

(74) *Attorney, Agent, or Firm*—Steven M. Haas; R. Scott
Speroff

(57) **CLAIM**

The ornamental design for a backplane section, as shown
and described.

DESCRIPTION

FIG. 1 is an isometric view of the backplane section showing
our new invention;

FIG. 2 is a top plan view of the backplane section of FIG.
1;

FIG. 3 is a rear elevational view of the backplane section of
FIG. 1;

FIG. 4 is a right side elevational view of the backplane
section of FIG. 1;

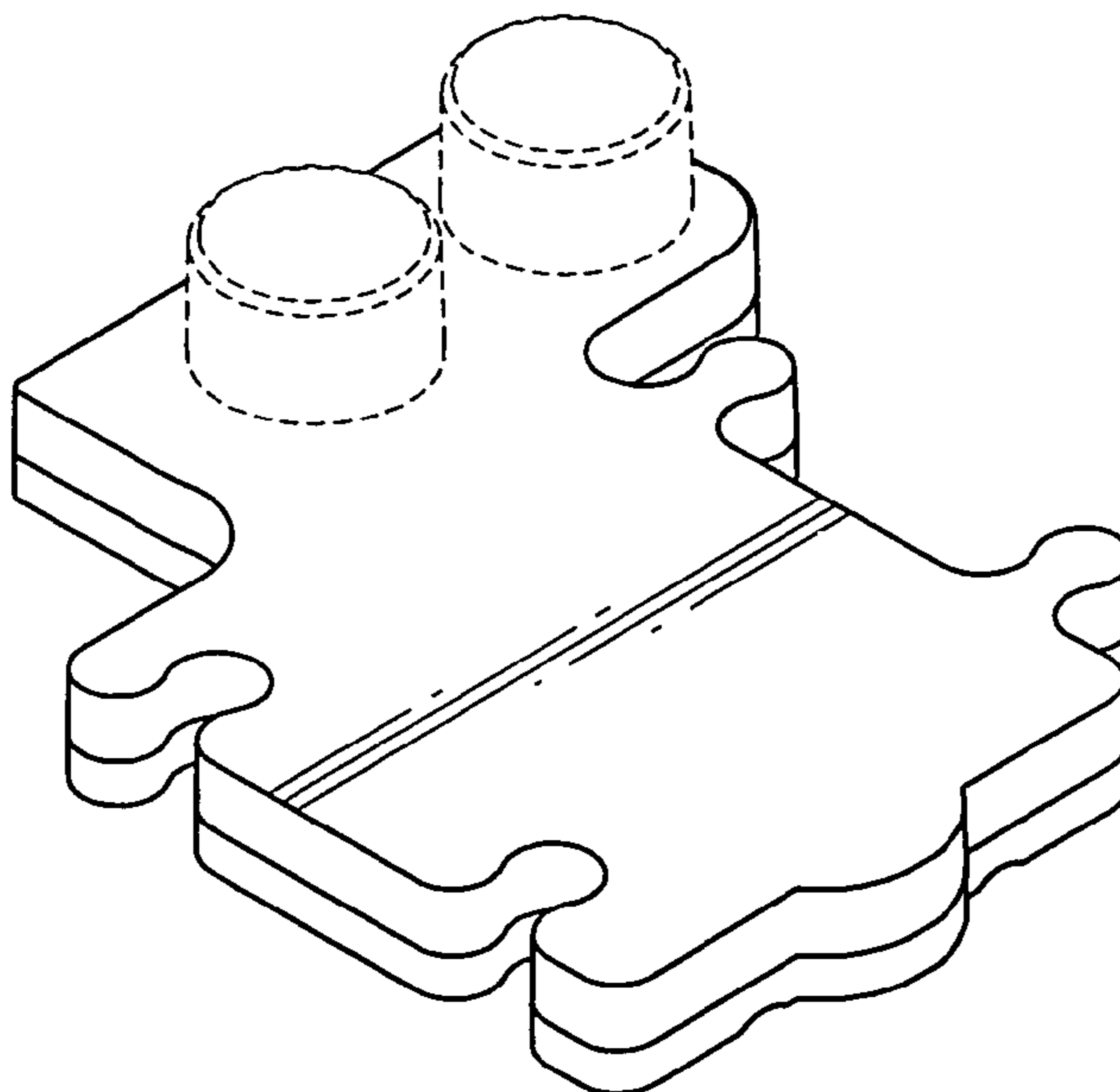
FIG. 5 is a bottom plan view of the backplane section of FIG.
1;

FIG. 6 is a left side elevational view of the backplane section
of FIG. 1; and,

FIG. 7 is a front elevational view of the backplane section
of FIG. 1.

Features shown in the drawings using broken lines are for
illustrative purposes only and form no part of the claimed
design.

1 Claim, 2 Drawing Sheets



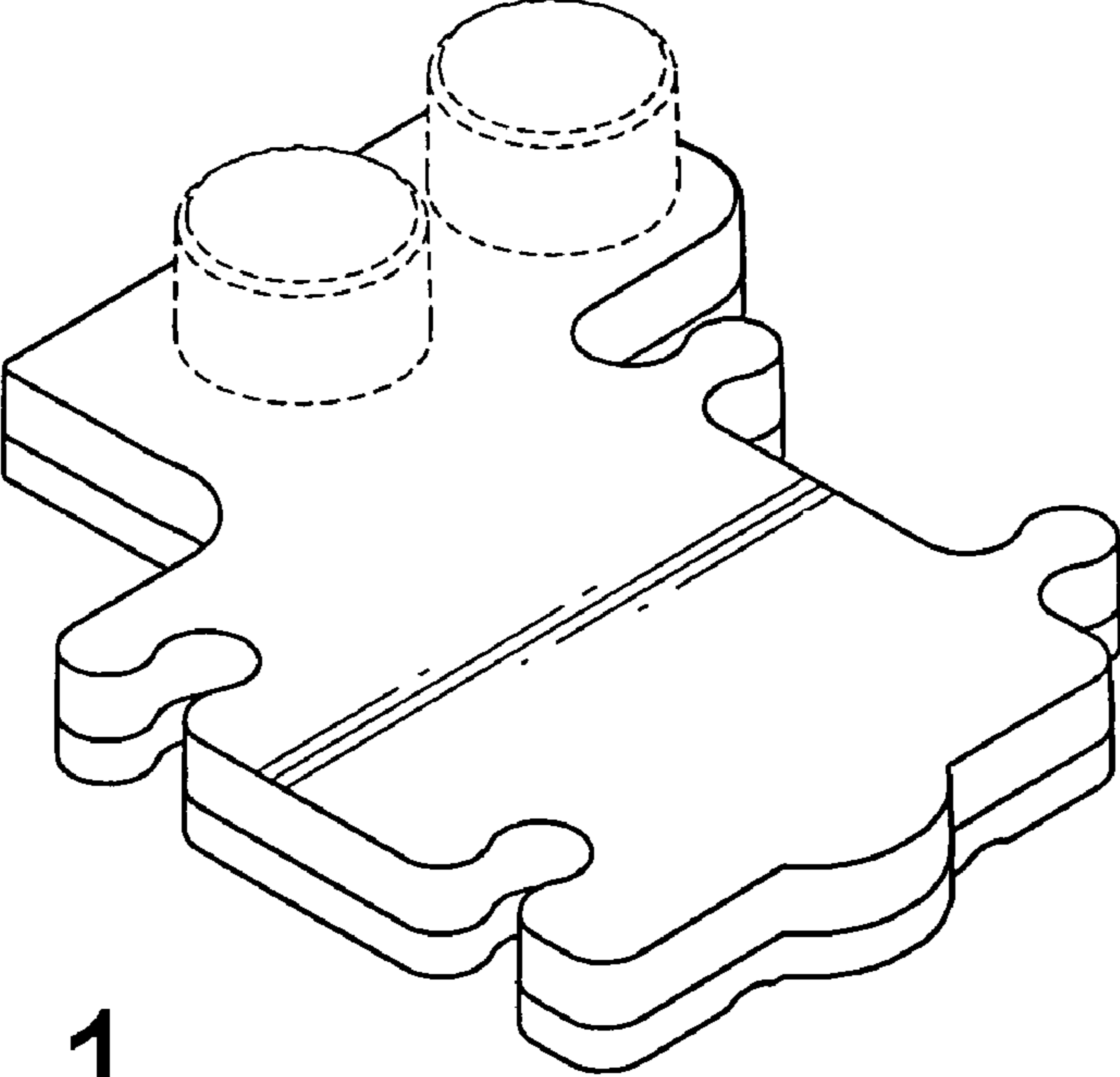


FIG. 1

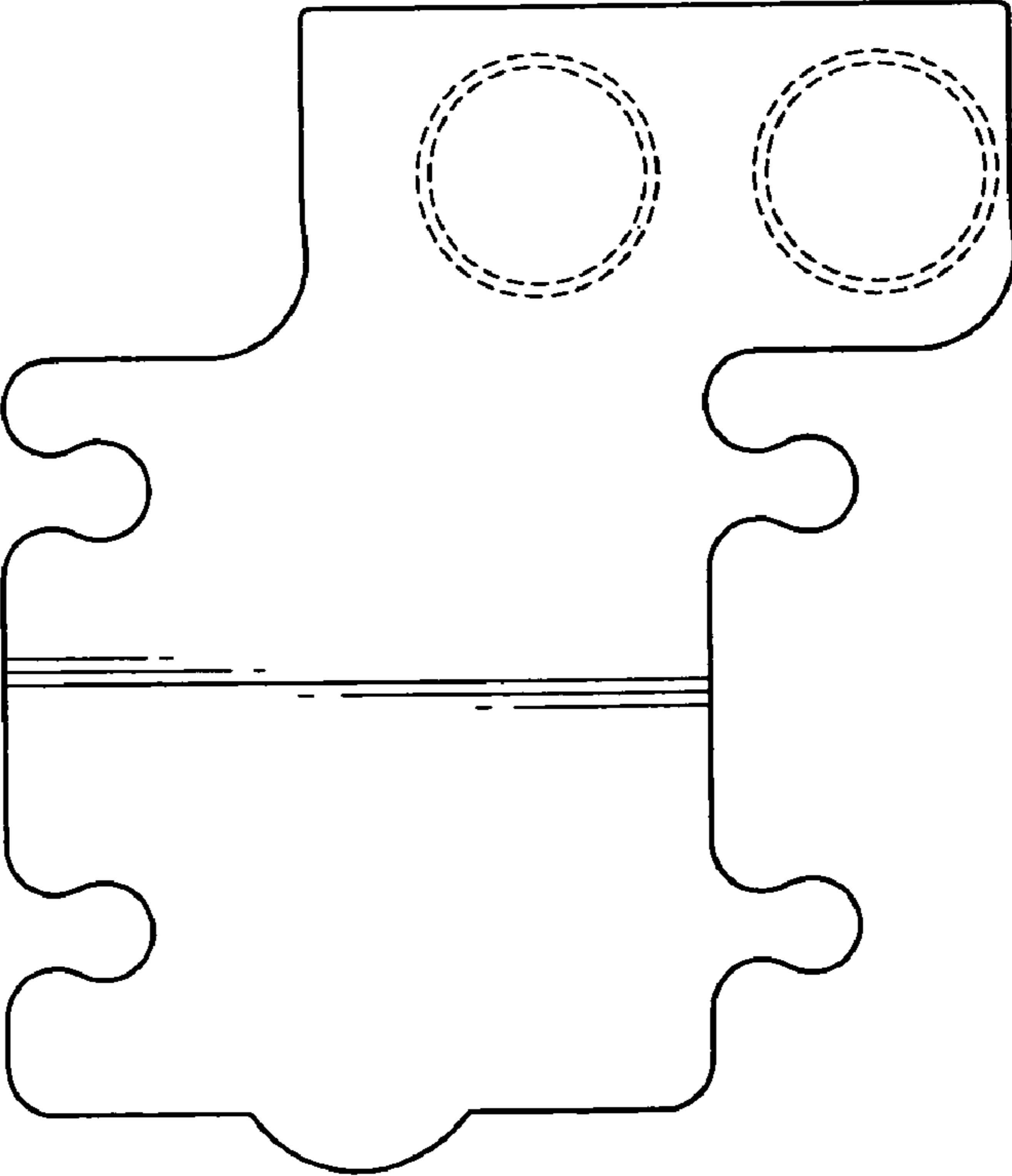


FIG. 2

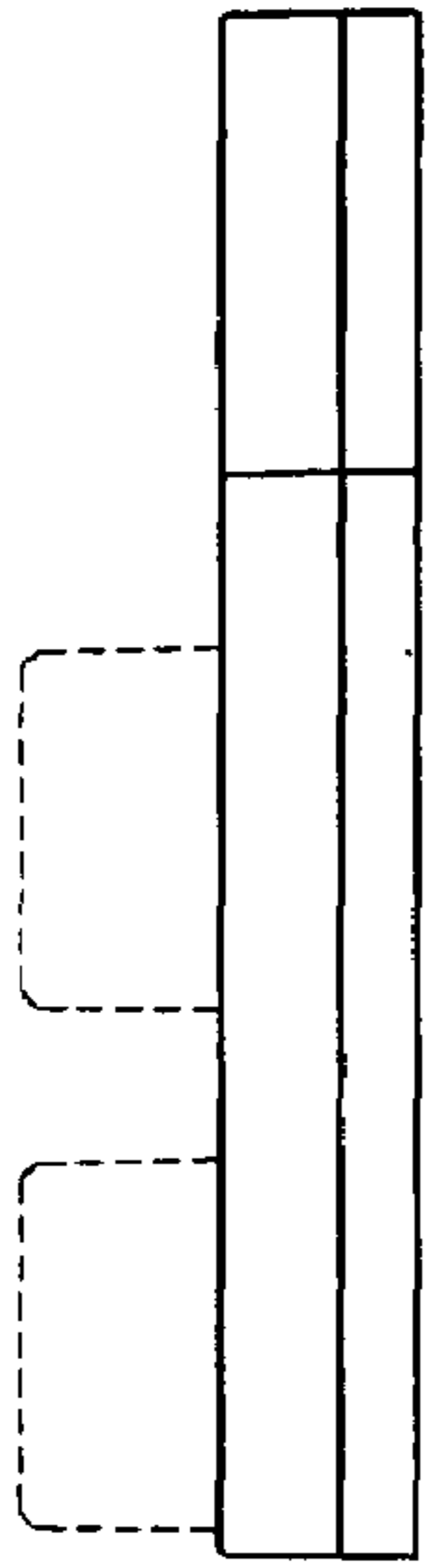


FIG. 3

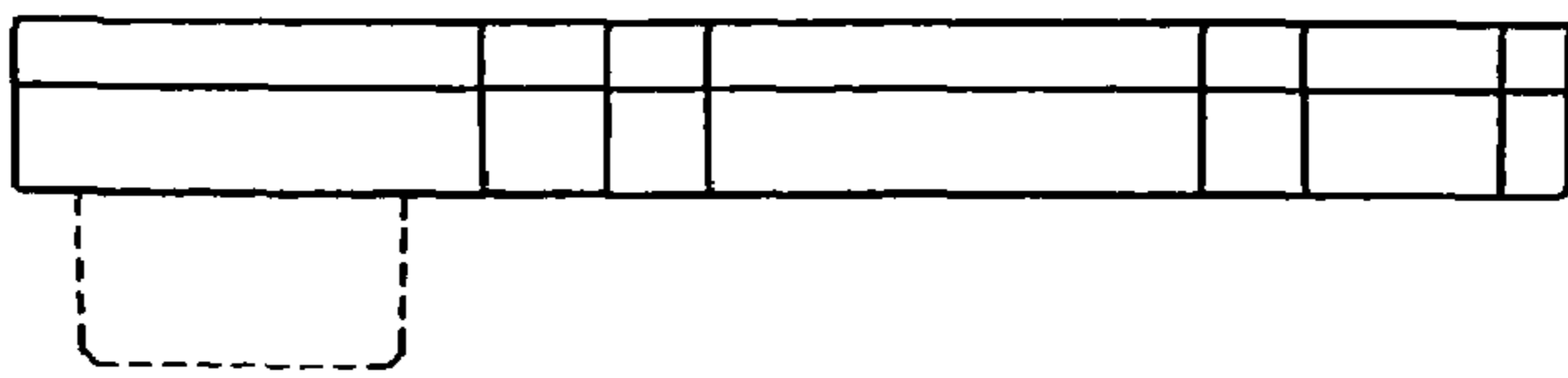


FIG. 4

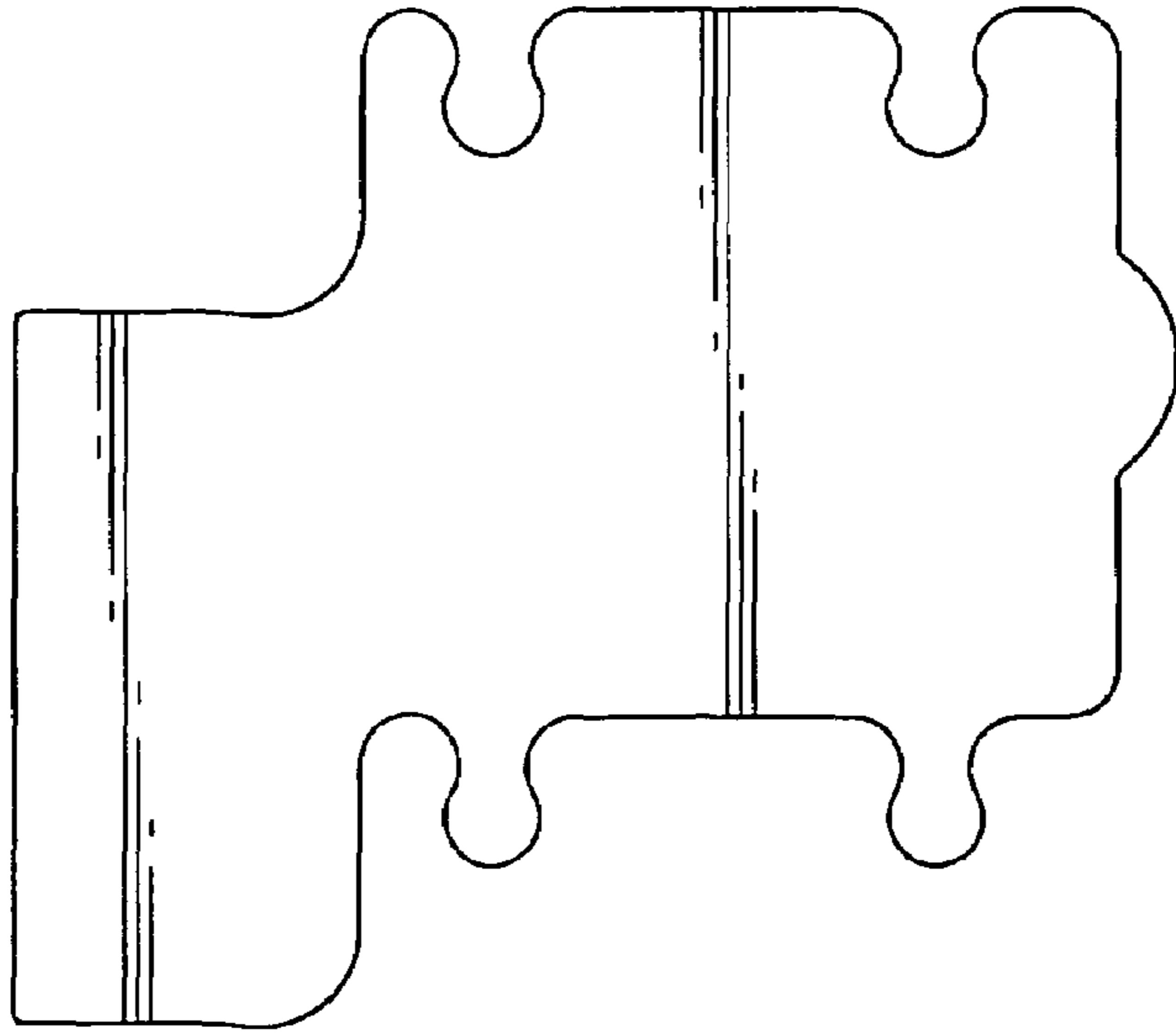


FIG. 5

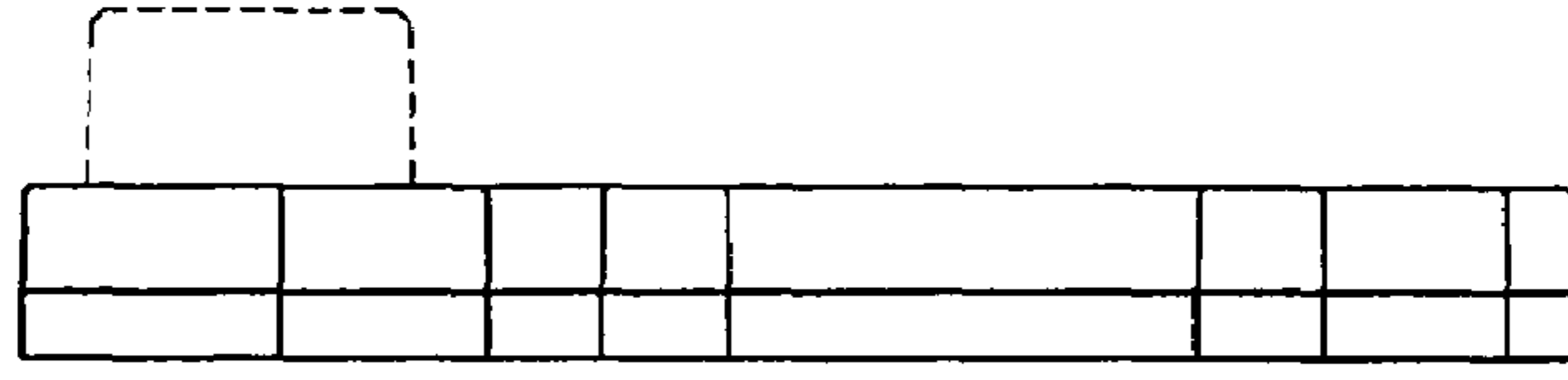


FIG. 6



FIG. 7