



US00D552541S

(12) **United States Design Patent**
Gossett

(10) **Patent No.:** **US D552,541 S**

(45) **Date of Patent:** **** Oct. 9, 2007**

(54) **PORTABLE POWER SYSTEM**

6,577,098 B2 * 6/2003 Griffey et al. 320/104
2002/0041174 A1 * 4/2002 Purkey 320/103

(75) Inventor: **Jeff Gossett**, Smithfield, NC (US)

* cited by examiner

(73) Assignee: **AB Connectors Limited**, Mountain Ash (GB)

Primary Examiner—Prabhakar Deshmukh

Assistant Examiner—Derrick Holland

(**) Term: **14 Years**

(74) *Attorney, Agent, or Firm*—Schwegman, Lundberg, Woessner and Kluth P.A.

(21) Appl. No.: **29/218,816**

(57) **CLAIM**

(22) Filed: **Aug. 10, 2004**

The ornamental design for a portable power system, as shown and described.

(51) **LOC (8) Cl.** **13-01**

(52) **U.S. Cl.** **D13/116**

(58) **Field of Classification Search** D13/116,
D13/101, 106, 107, 110, 184, 199; 307/64,
307/150, 151

DESCRIPTION

See application file for complete search history.

FIG. 1 is a top, perspective view of a portable power system, showing my new design.

FIG. 2 is a right side view of the portable power system, of FIG. 1.

(56) **References Cited**

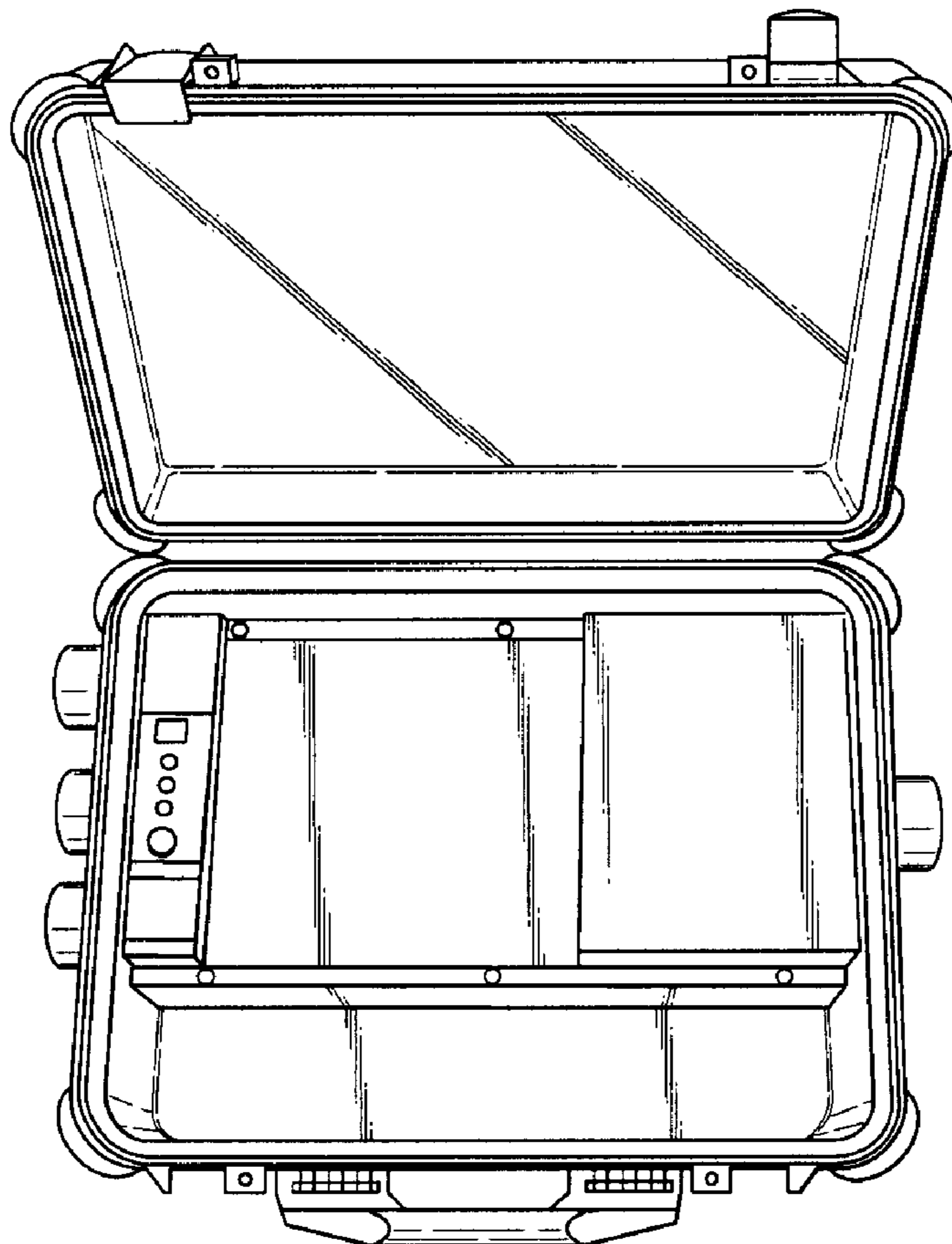
U.S. PATENT DOCUMENTS

3,828,201 A * 8/1974 Allen, Sr. 307/150
3,963,972 A * 6/1976 Todd 320/112
D374,859 S * 10/1996 Guay et al. D13/110
D413,098 S * 8/1999 Dayan D13/110
D474,738 S * 5/2003 Ishii et al. D13/110

FIG. 3 is a front view of the portable power system, of FIG. 1; and,

FIG. 4 is a left side view of the portable power system, of FIG. 1.

1 Claim, 2 Drawing Sheets



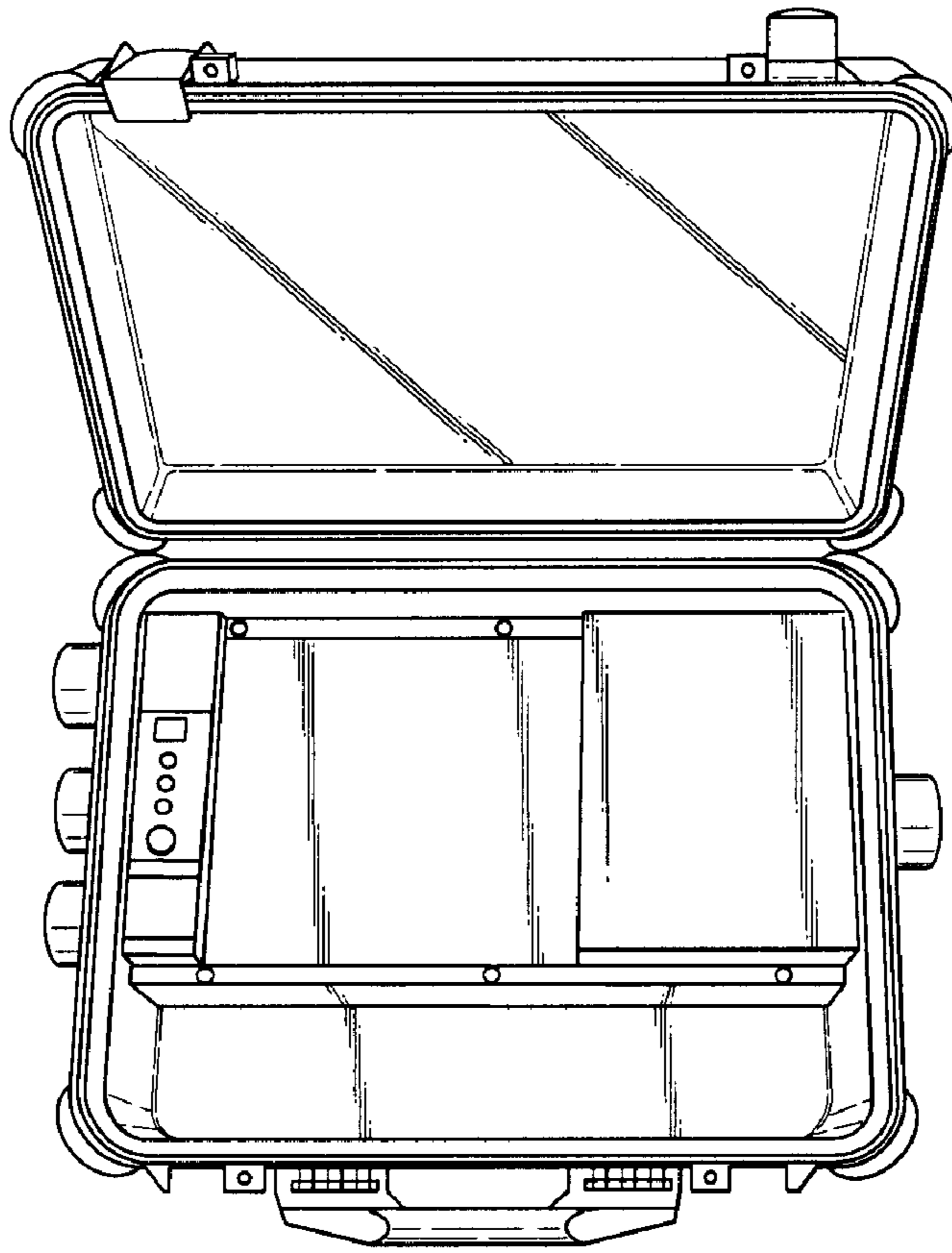


Fig.1

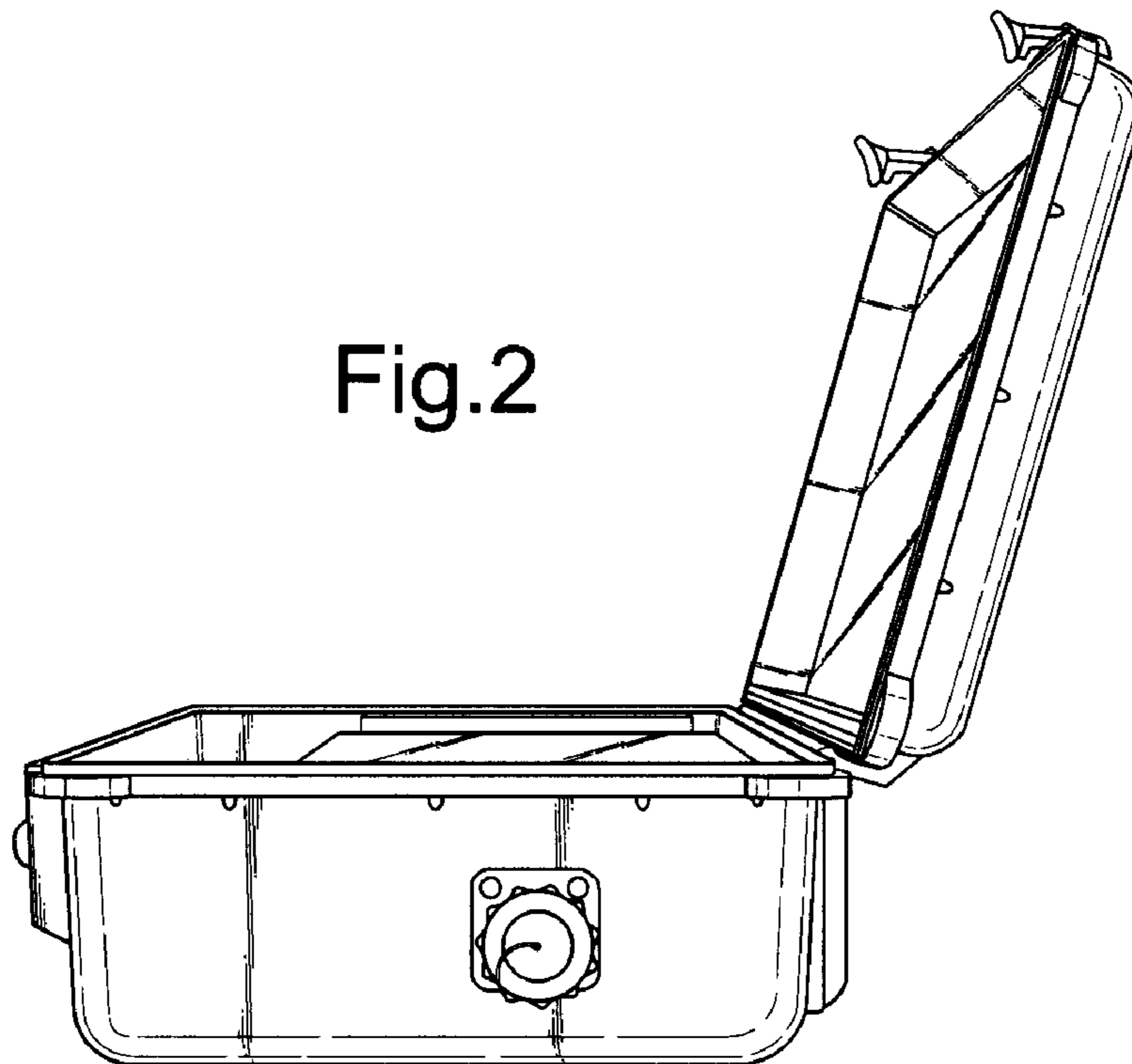


Fig.2

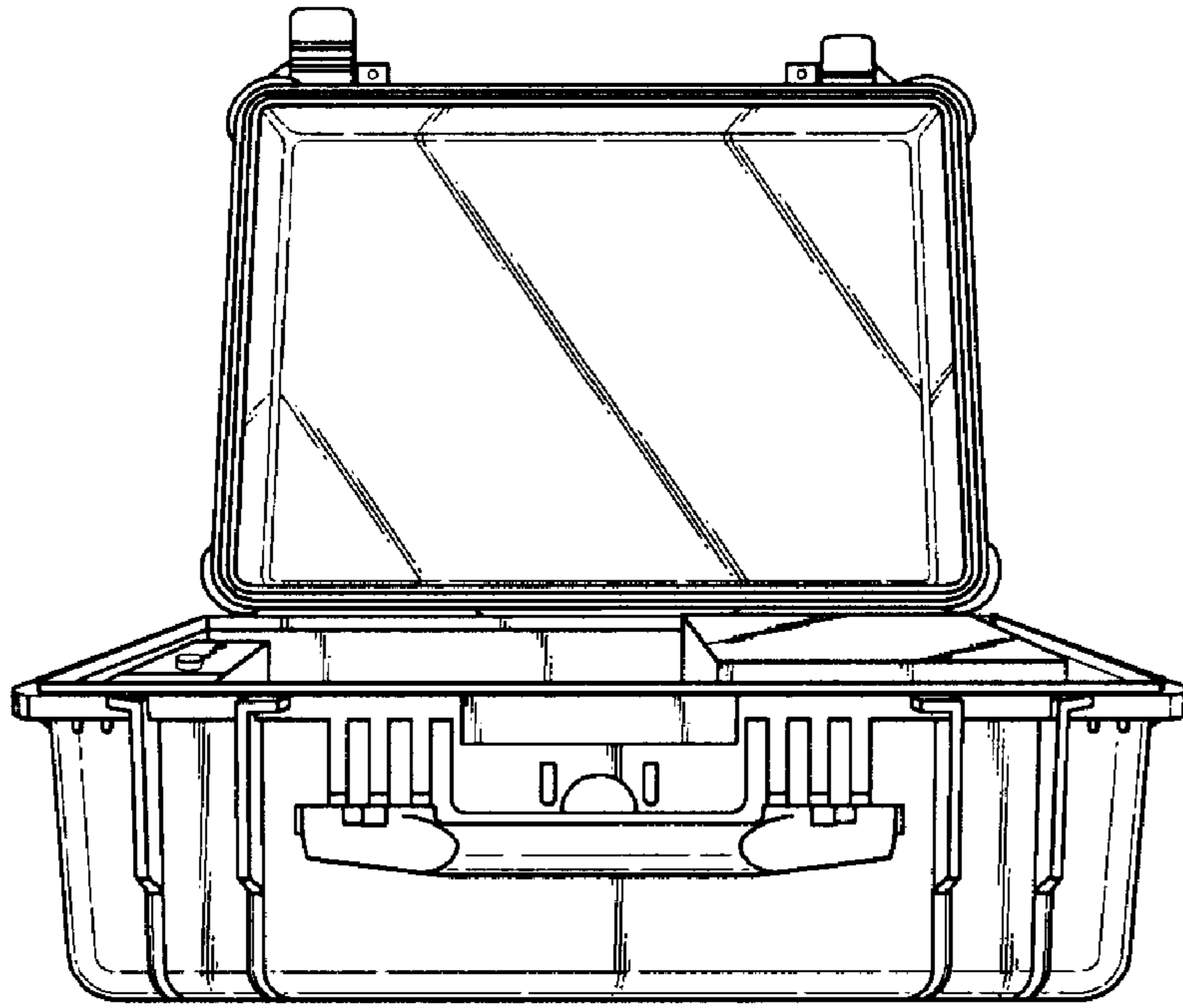


Fig. 3

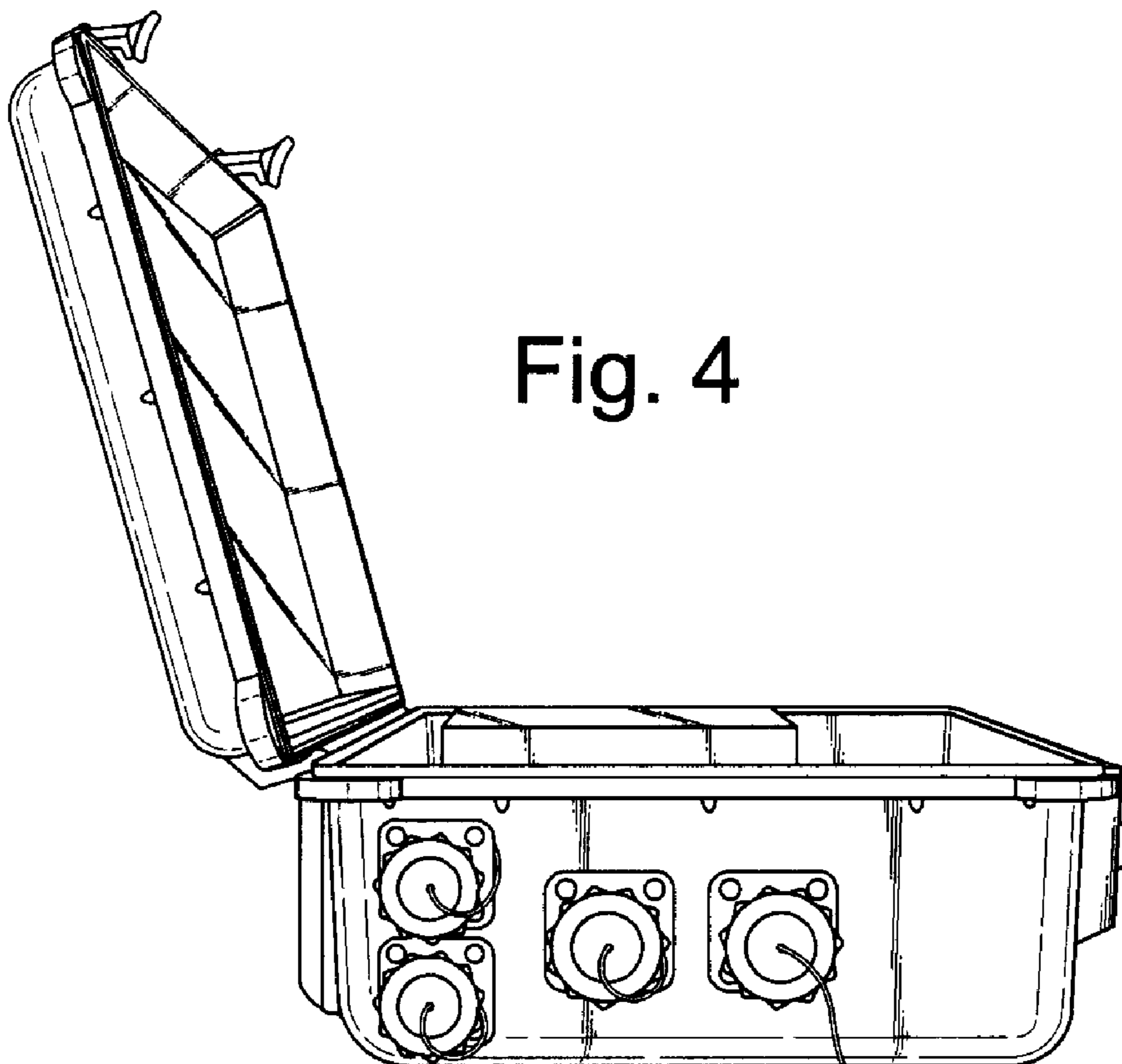


Fig. 4