



US00D552538S

(12) **United States Design Patent**
Sakura et al.

(10) **Patent No.:** **US D552,538 S**
(45) **Date of Patent:** **** Oct. 9, 2007**

(54) **OPTICAL TRANSMISSION CONVERSION DEVICE**

JP 937181 10/1995

(75) Inventors: **Shigeyuki Sakura**, Kawasaki (JP);
Motoyasu Morinaga, Chigasaki (JP)

OTHER PUBLICATIONS

(73) Assignee: **Kabushiki Kaisha Toshiba** (JP)

Hamamatsu Photonics Catalog of a One-dimensional Position Sensitive Detector (S8682), Jul. 2001.
Hamamatsu Photonics Catalog of a Photodiode (S7123-01), Mar. 2000.

(**) Term: **14 Years**

* cited by examiner

(21) Appl. No.: **29/254,986**

Primary Examiner—Prabhakar Deshmukh
Assistant Examiner—Derrick Holland

(22) Filed: **Mar. 3, 2006**

(74) *Attorney, Agent, or Firm*—Banner & Witcoff, Ltd.

(30) **Foreign Application Priority Data**

Dec. 5, 2005 (JP) 2005-035847

(57) **CLAIM**

(51) **LOC (8) Cl.** **13-02**

The ornamental design for an optical transmission conversion device, as shown and described.

(52) **U.S. Cl.** **D13/101**

(58) **Field of Classification Search** D13/101,
D13/123, 147, 199; D16/130; 385/78, 88,
385/92, 94, 125; 398/135, 182, 196-199,
398/200, 201

DESCRIPTION

See application file for complete search history.

FIG. 1 is a front, bottom and left side perspective view of an optical transmission conversion device, showing our new design;

(56) **References Cited**

U.S. PATENT DOCUMENTS

FIG. 2 is a front elevational view thereof;

- 6,048,106 A * 4/2000 Iwase 385/88
- 6,290,402 B1 * 9/2001 Shishikura et al. 385/88
- D481,676 S * 11/2003 Huang D13/123
- D494,930 S * 8/2004 Ishigami et al. D13/123
- D495,998 S * 9/2004 Shimaya et al. D13/147

FIG. 3 is a rear elevational view thereof;

FIG. 4 is a top plan view thereof;

FIG. 5 is a bottom plan view thereof;

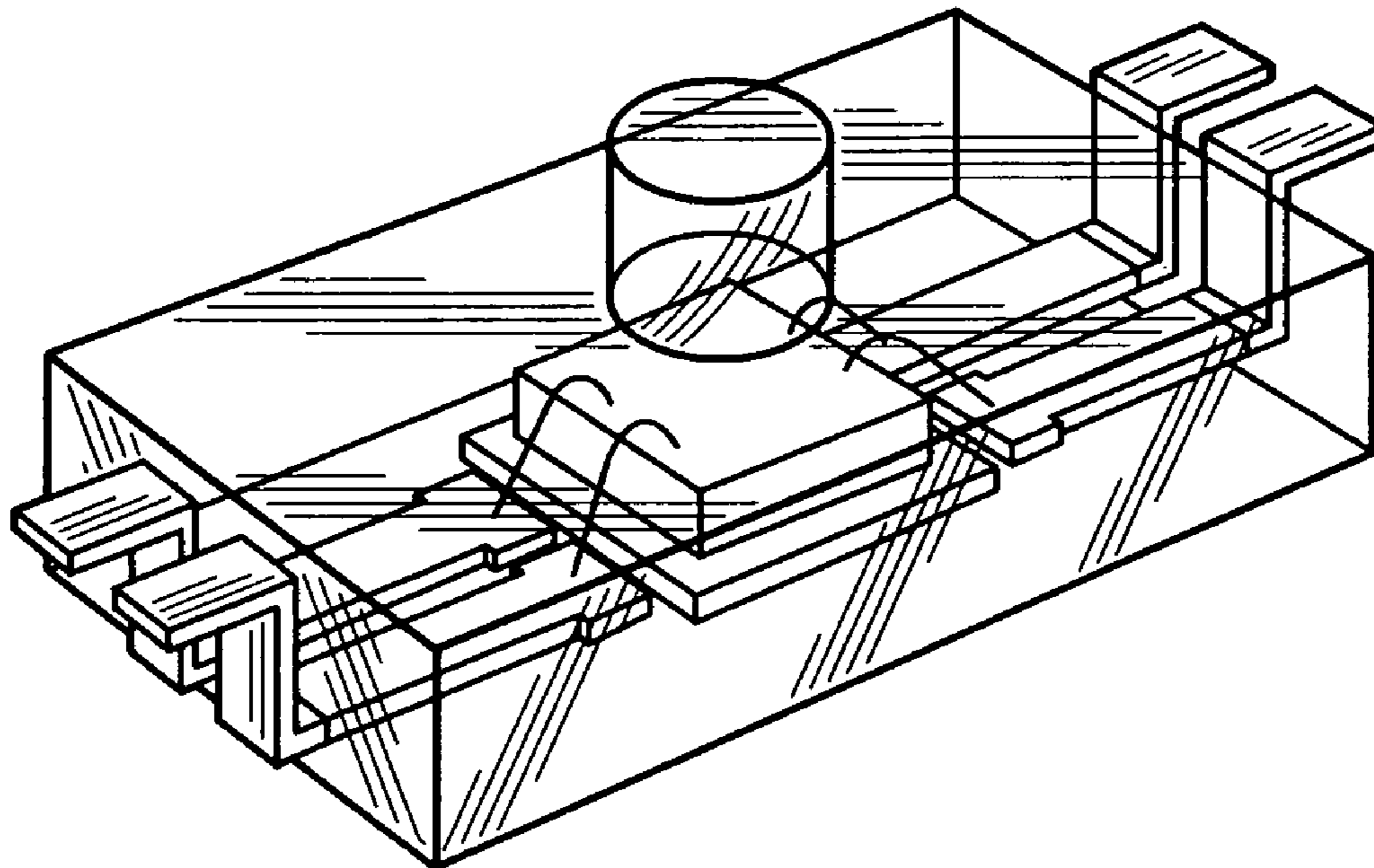
FIG. 6 is a left side elevational view thereof; and,

FIG. 7 is a right side elevational view thereof.

FOREIGN PATENT DOCUMENTS

JP 827152 1/1992

1 Claim, 3 Drawing Sheets



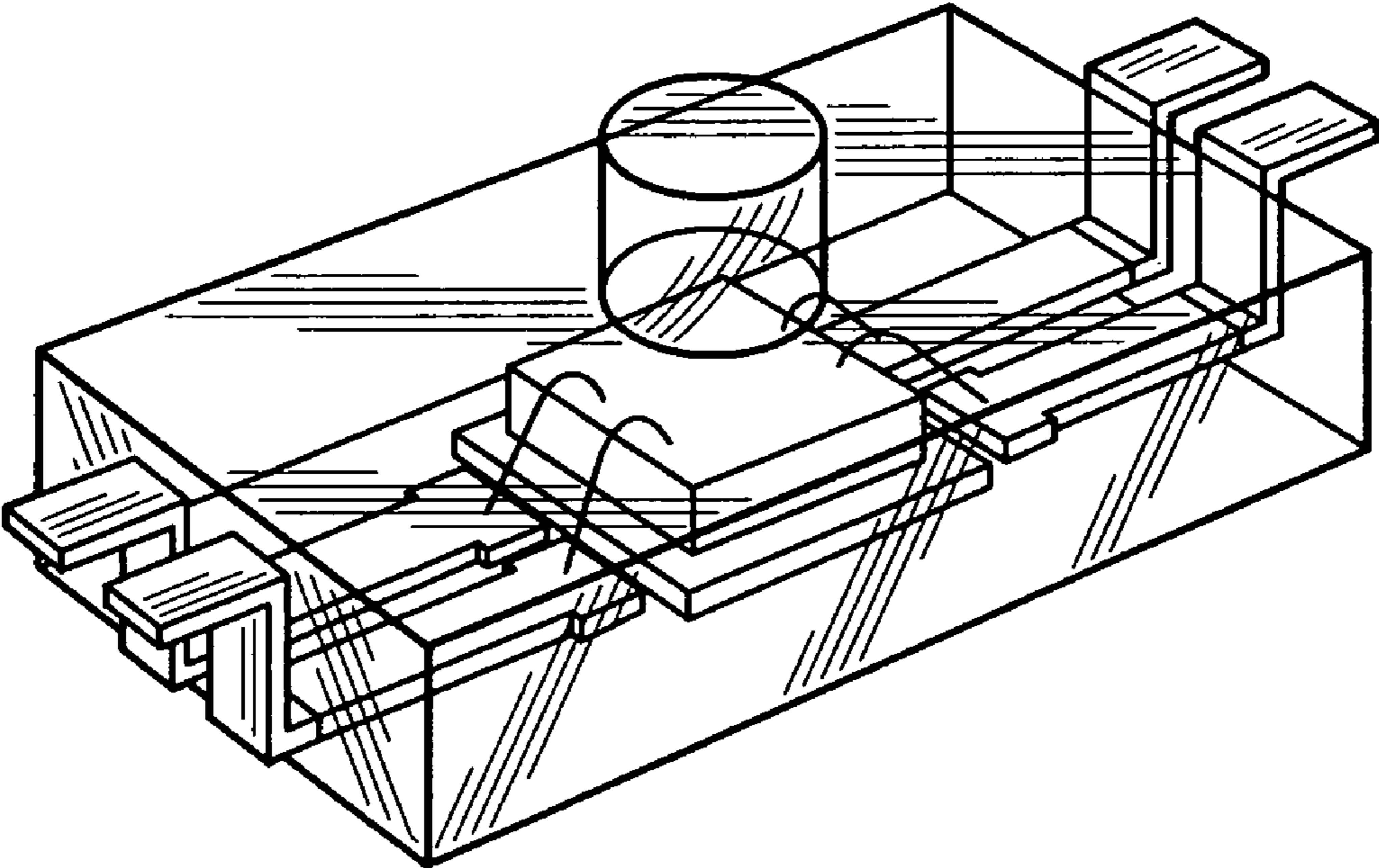


FIG. 1

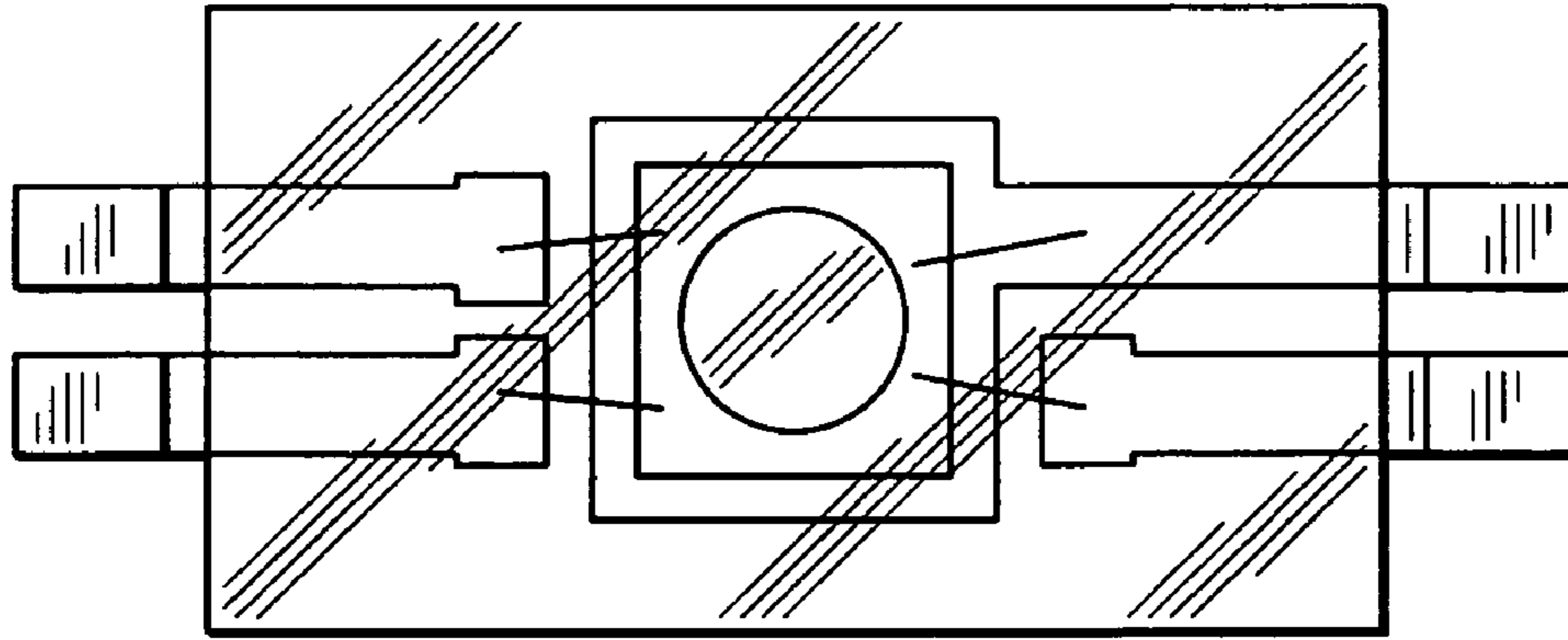


FIG. 2

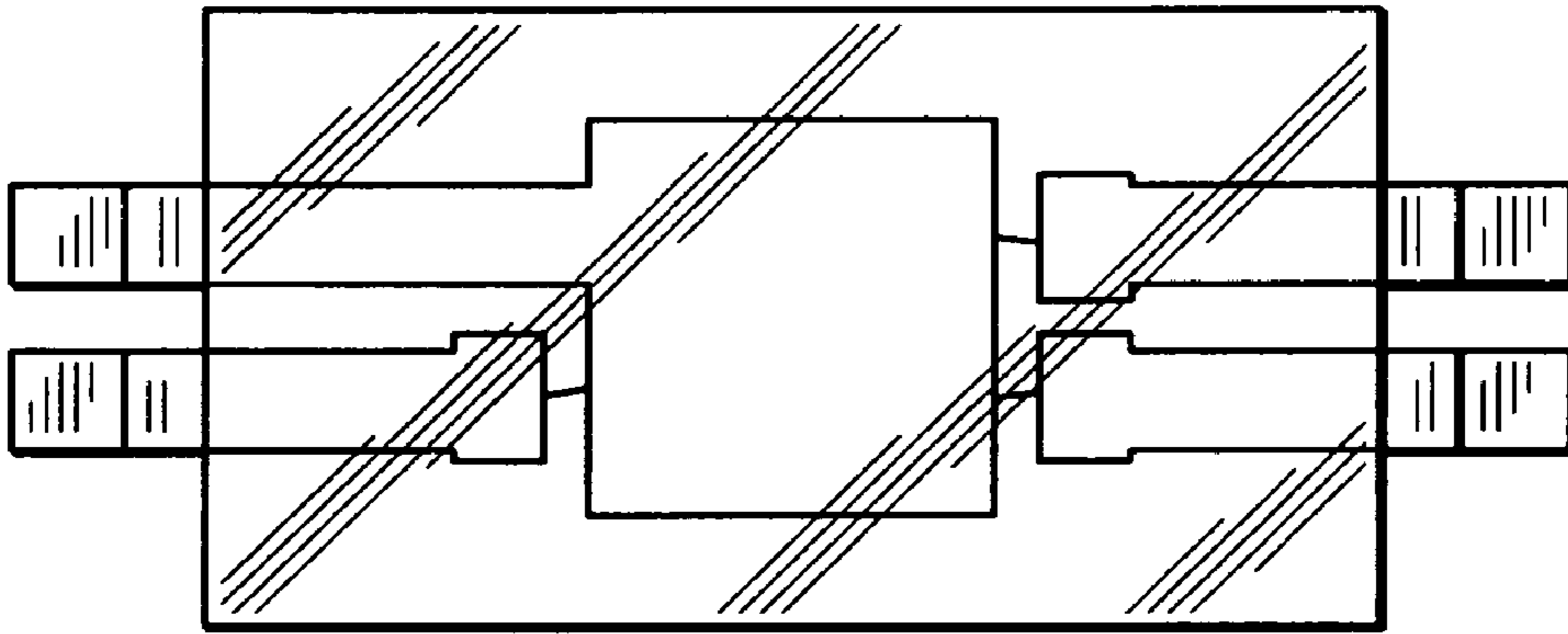


FIG. 3

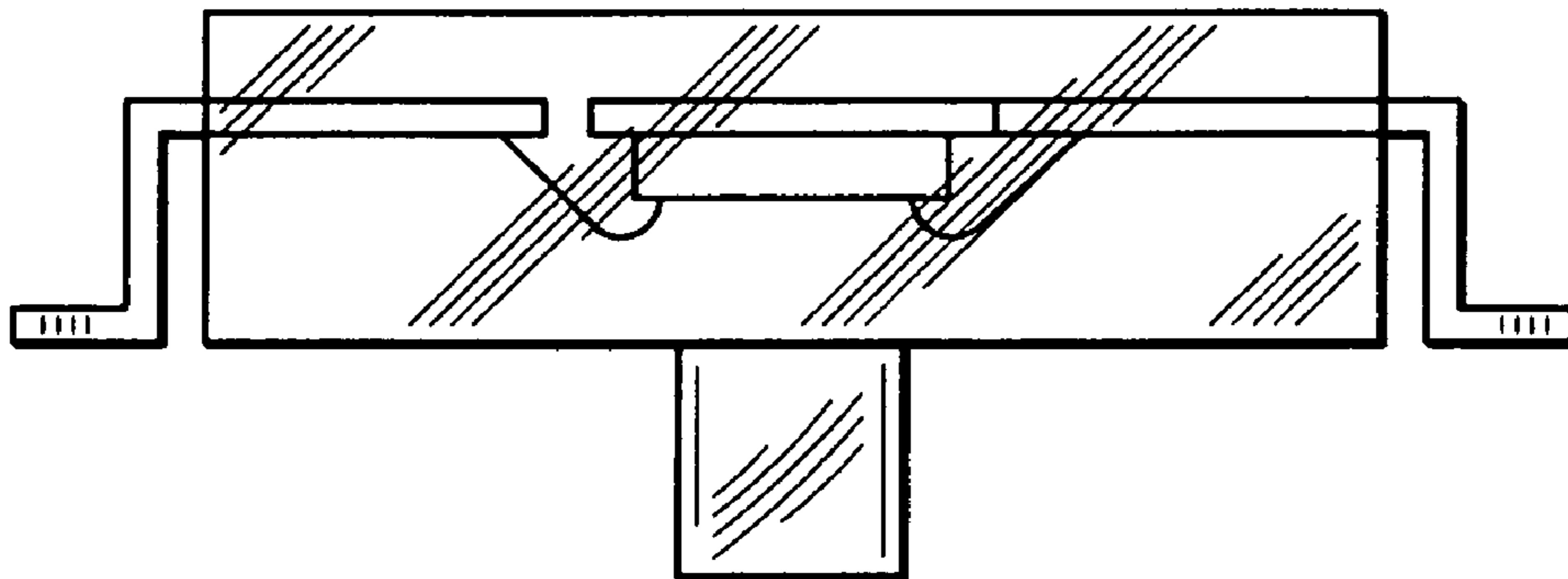


FIG. 4

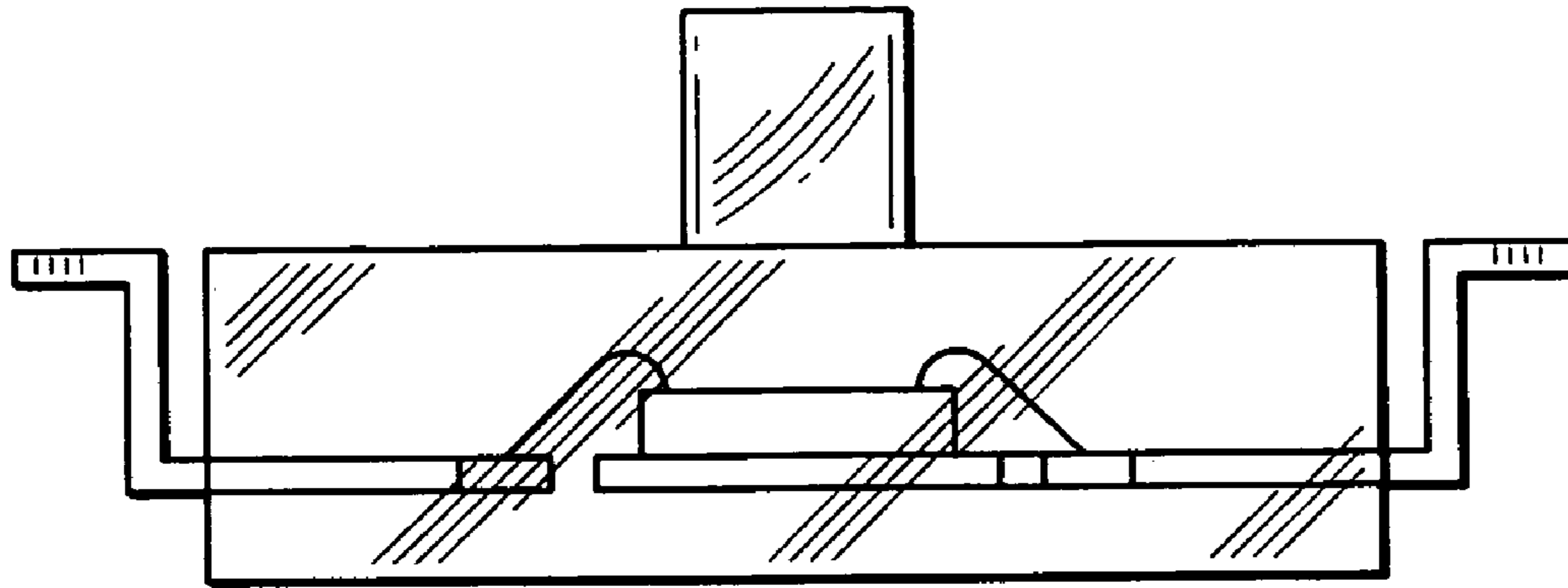


FIG. 5

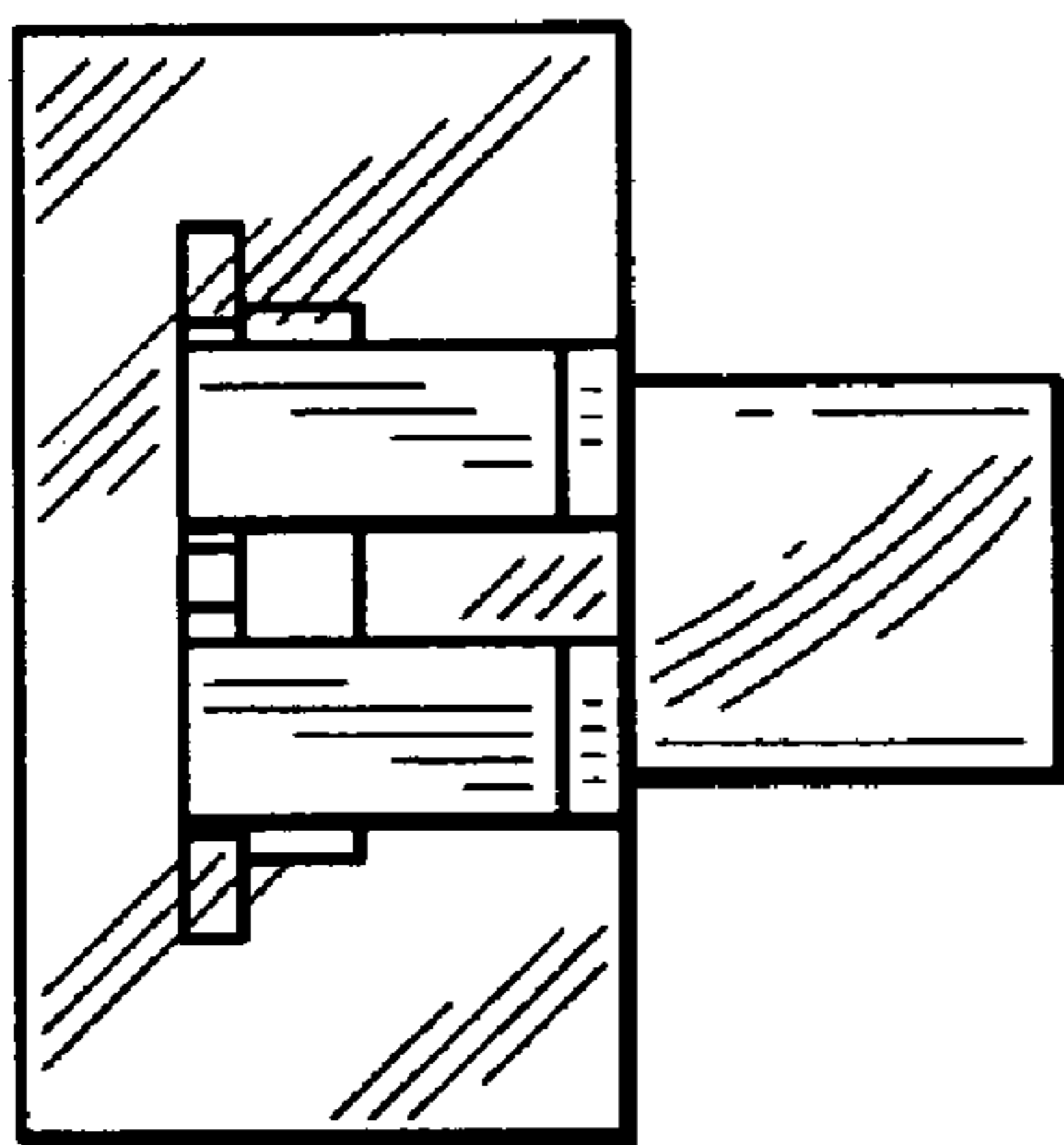


FIG. 6

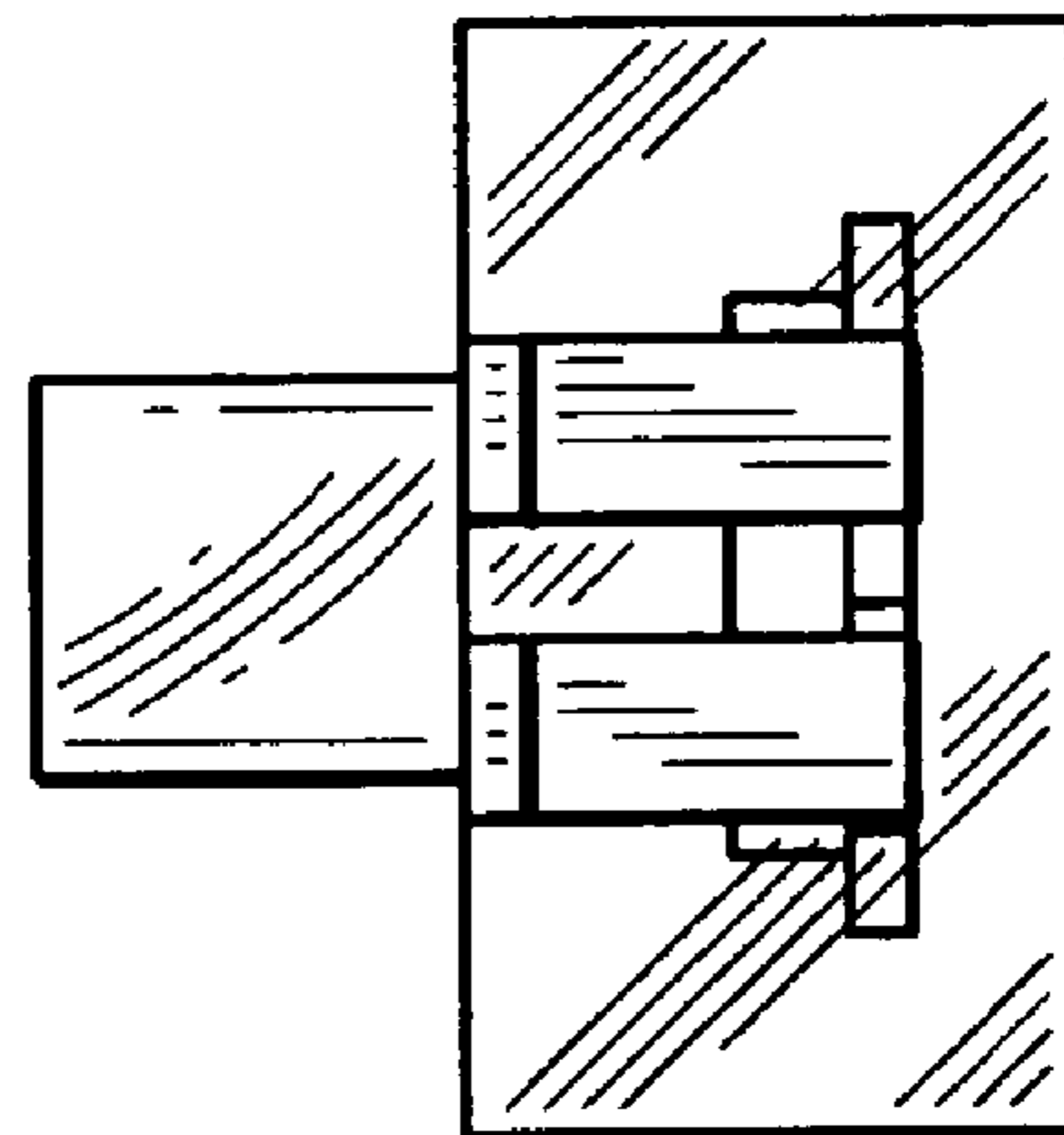


FIG. 7