



US00D552532S

(12) **United States Design Patent**
Brockington et al.

(10) **Patent No.:** **US D552,532 S**

(45) **Date of Patent:** **** Oct. 9, 2007**

(54) **ONE PIECE RV RAIN GUTTER EXTENSION**

(75) Inventors: **William T. Brockington**, Kernersville, NC (US); **Donald R. Caine**, Greensboro, NC (US)

(73) Assignee: **Camco Manufacturing Inc.**, Greensboro, NC (US)

(**) Term: **14 Years**

(21) Appl. No.: **29/252,863**

(22) Filed: **Jan. 27, 2006**

(51) **LOC (8) Cl.** **12-16**

(52) **U.S. Cl.** **D12/400**

(58) **Field of Classification Search** D12/400, D12/196, 180, 181, 100, 103-105; D23/267; D25/119; D13/155; 296/208, 163; 285/183, 285/424; 52/11-16; 248/97
See application file for complete search history.

(56) **References Cited**

U.S. PATENT DOCUMENTS

D334,380 S *	3/1993	Henneberger	D13/155
5,865,498 A	2/1999	Grogan		
D454,180 S *	3/2002	Wessels	D23/267
D482,433 S *	11/2003	Sawyer	D23/267
6,751,910 B2 *	6/2004	Richardson	52/11
6,880,295 B2 *	4/2005	Frey	52/16
D521,443 S *	5/2006	Parrish	D12/400
D537,030 S *	2/2007	Cote, Sr.	D12/400

FOREIGN PATENT DOCUMENTS

CA 102809 7/2004

OTHER PUBLICATIONS

Ref. No. 1, Streak-A-Way RV Rain Gutter Clip, HUB Easy Living Products, 1650 McEwen Drive, Whitby, Ontario, Canada L1N 0A2, Dec. 29, 2005.

Ref. No. 2, Drip Clip gutter clip for RV's, (Not sold in stores) found on Ebay's website (www.ebay.com), Jan. 3, 2006.

* cited by examiner

Primary Examiner—Stacia Cadmus

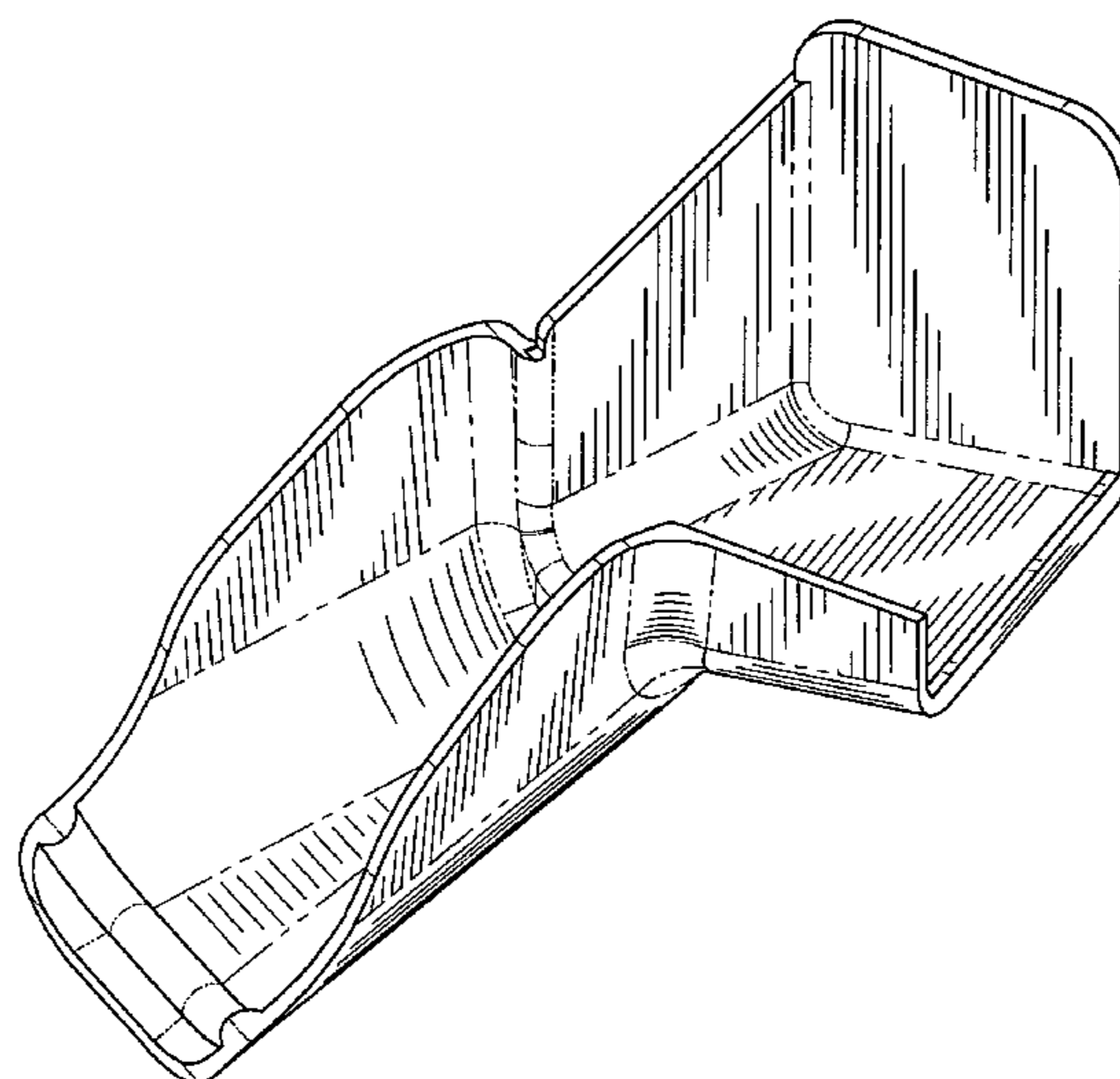
(57) **CLAIM**

The ornamental design for an one piece RV rain gutter extension, as shown and described.

DESCRIPTION

FIG. 1 is a top, right front perspective view of an one piece RV rain gutter extension embodying my design;
FIG. 2 is a front side elevational view thereof;
FIG. 3 is a right side elevational view thereof;
FIG. 4 is a left side elevational view thereof;
Fig. 5 is a top plan view thereof;
FIG. 6 is a bottom plan view thereof;
FIG. 7 is a back side elevational view thereof;
FIG. 8 is a top, left front perspective view of another one piece RV rain gutter extension embodying my design;
FIG. 9 is a front side elevational view of the same one piece RV rain gutter extension as in FIG. 8;
FIG. 10 is a right side elevational view thereof;
FIG. 11 is a left side elevational view thereof;
Fig. 12 is a top plan view thereof;
FIG. 13 is a bottom plan view thereof; and,
FIG. 14 is a back side elevational view thereof.

1 Claim, 8 Drawing Sheets



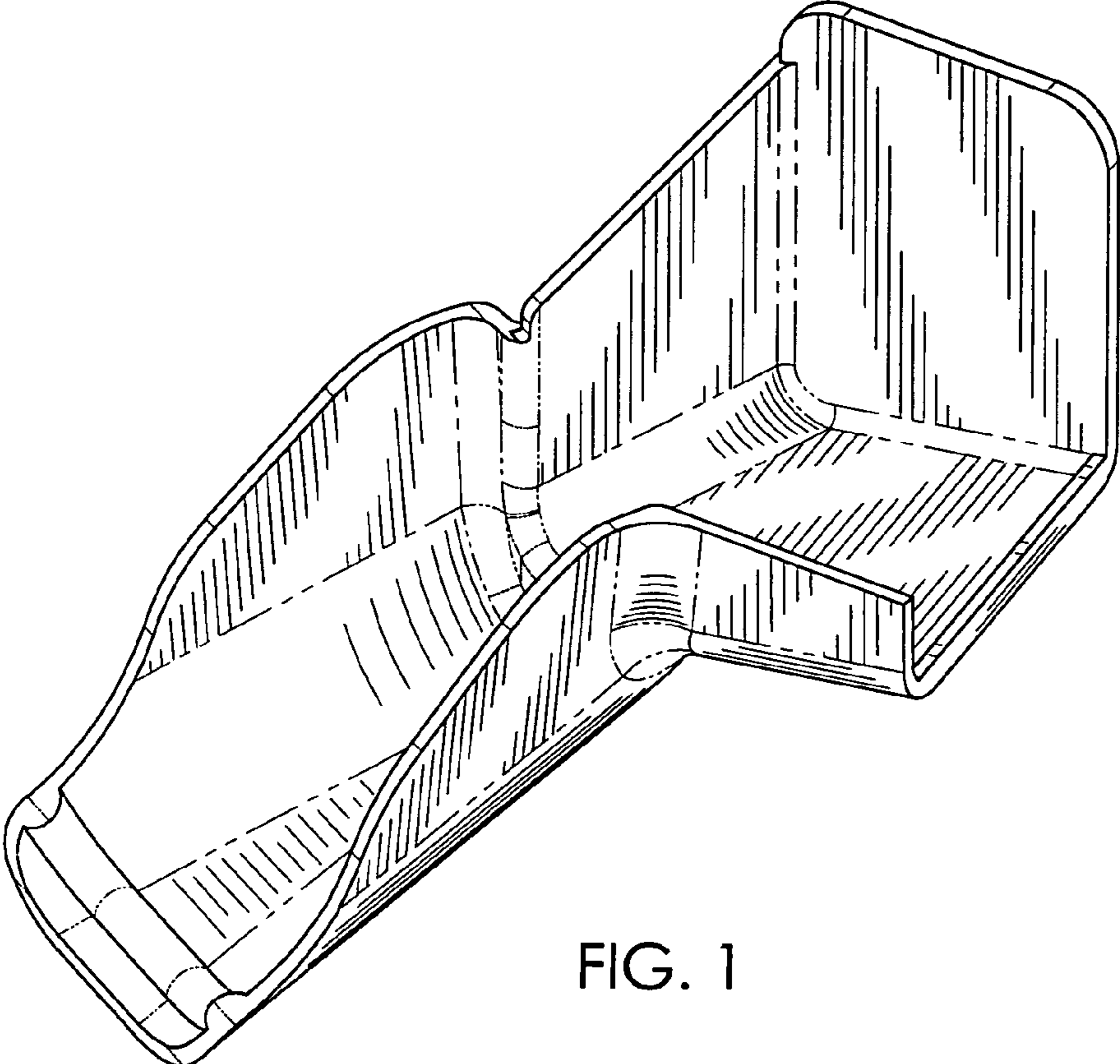


FIG. 1

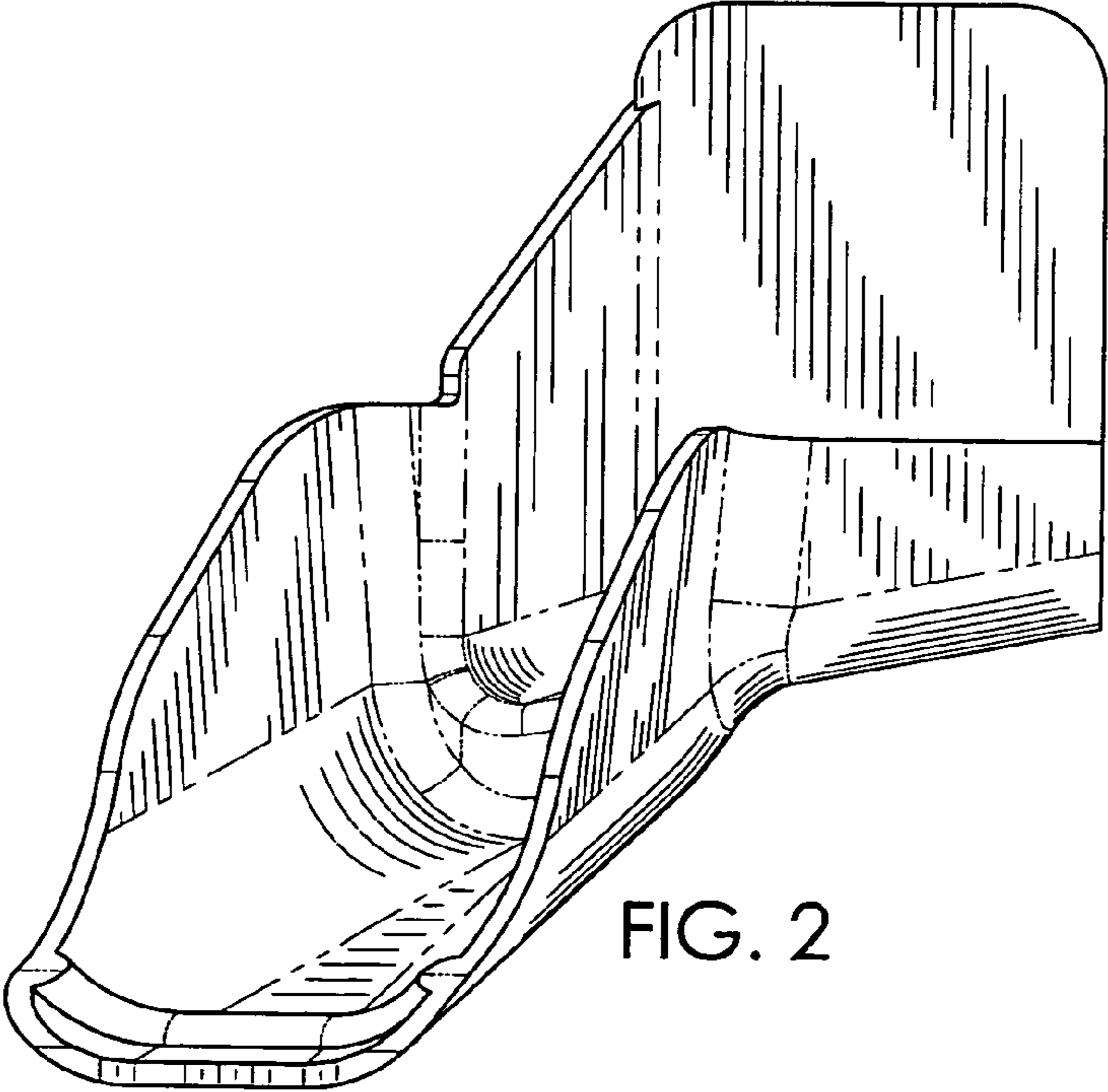


FIG. 2

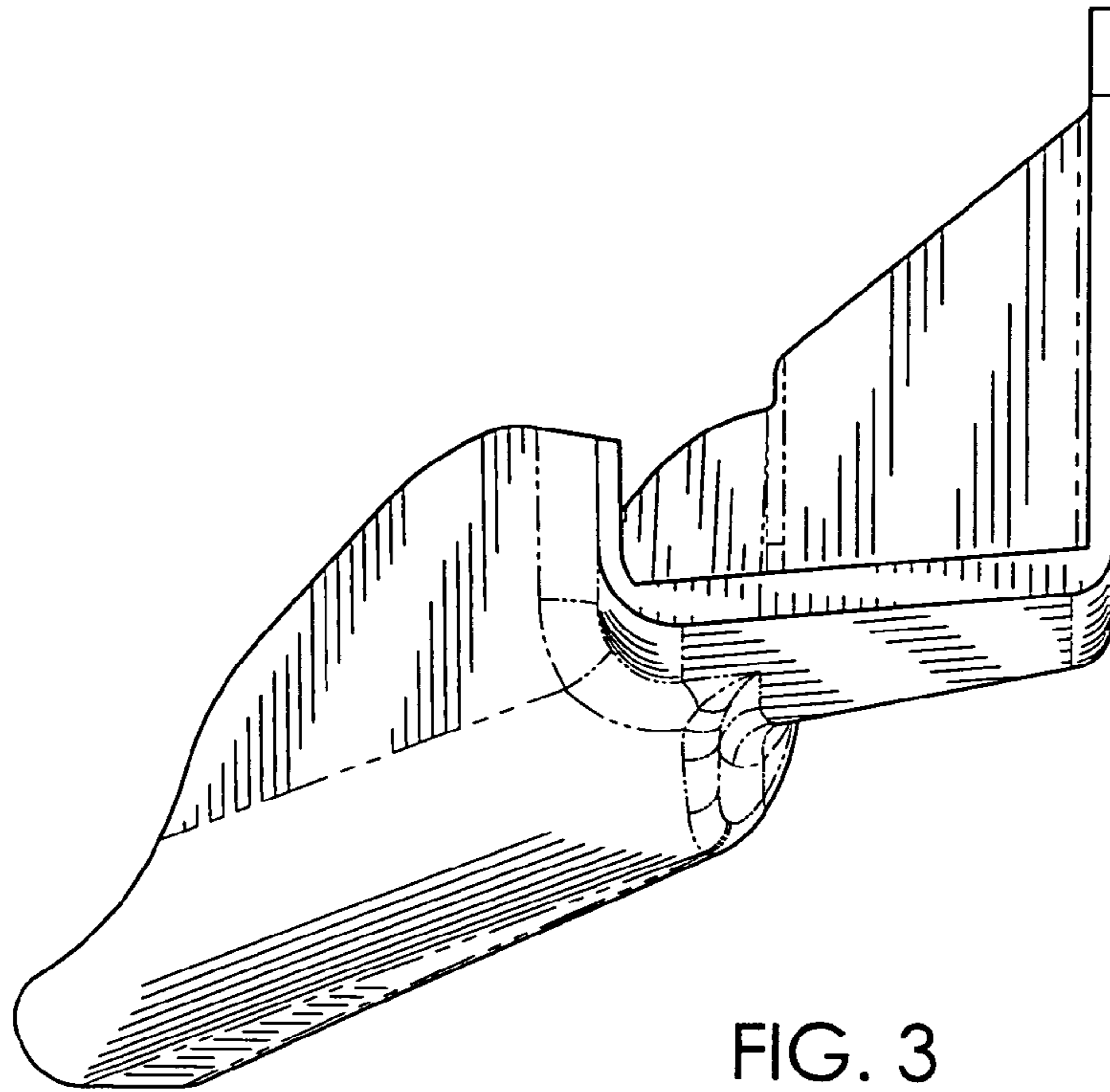


FIG. 3

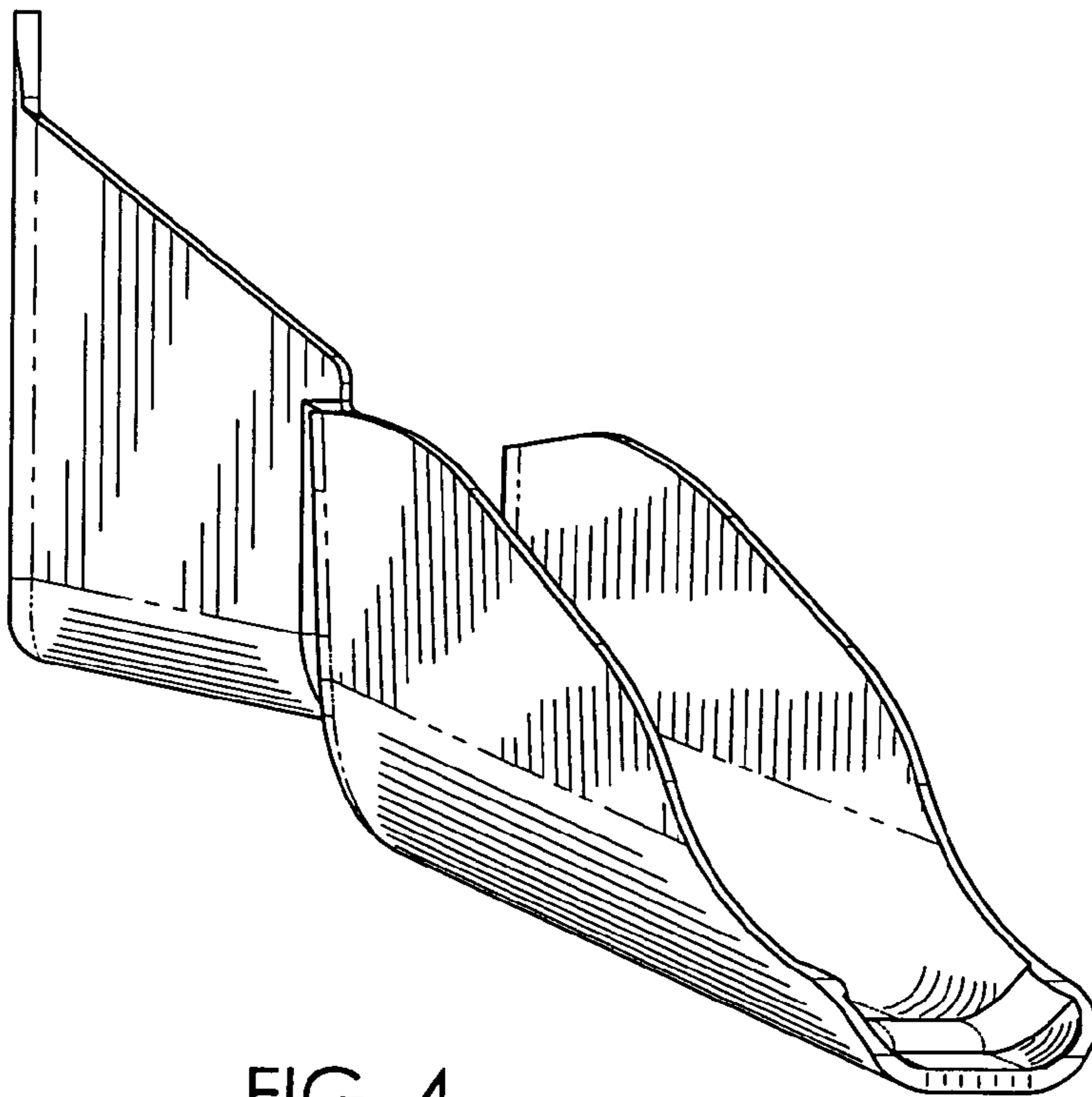


FIG. 4

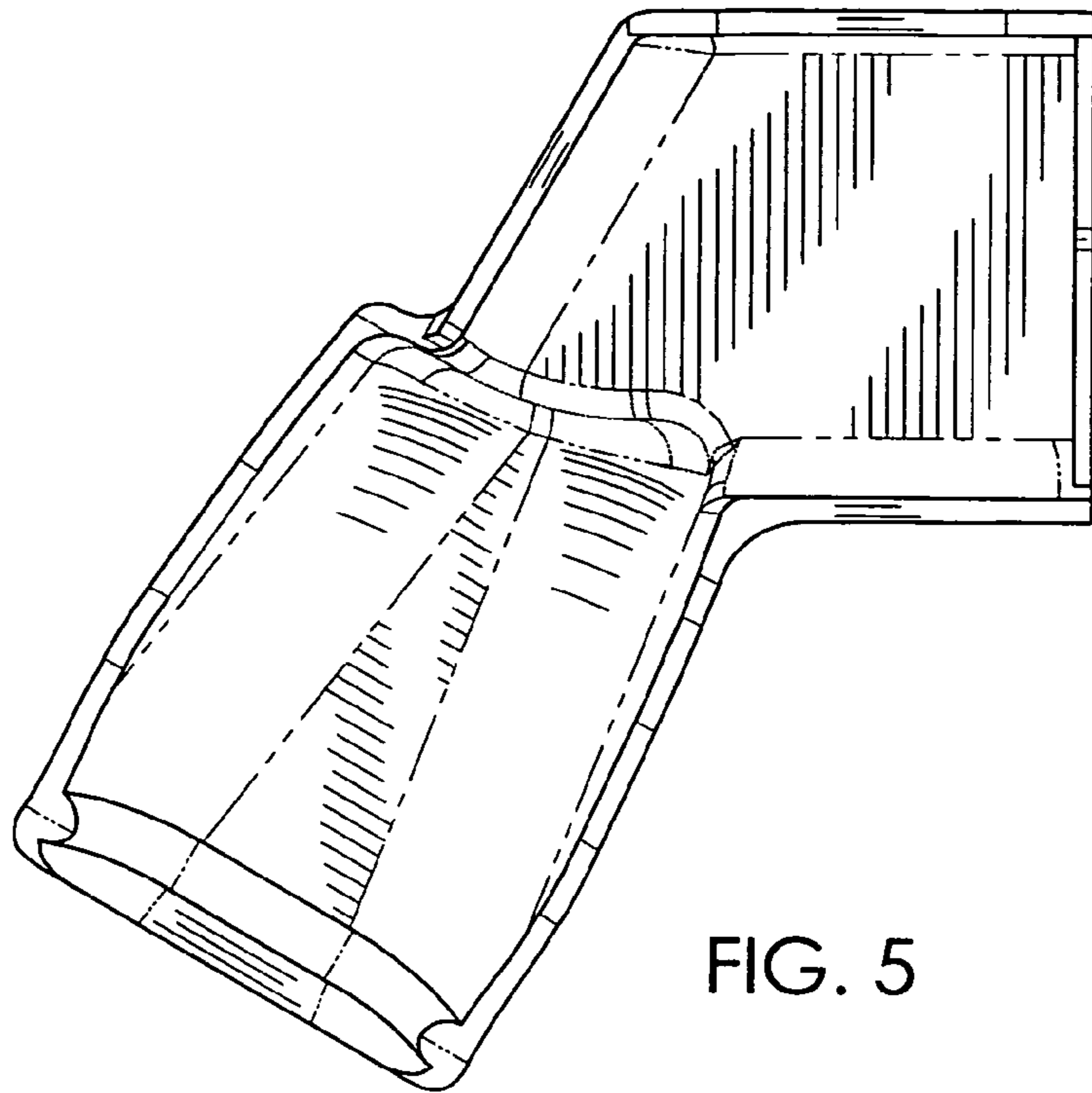


FIG. 5

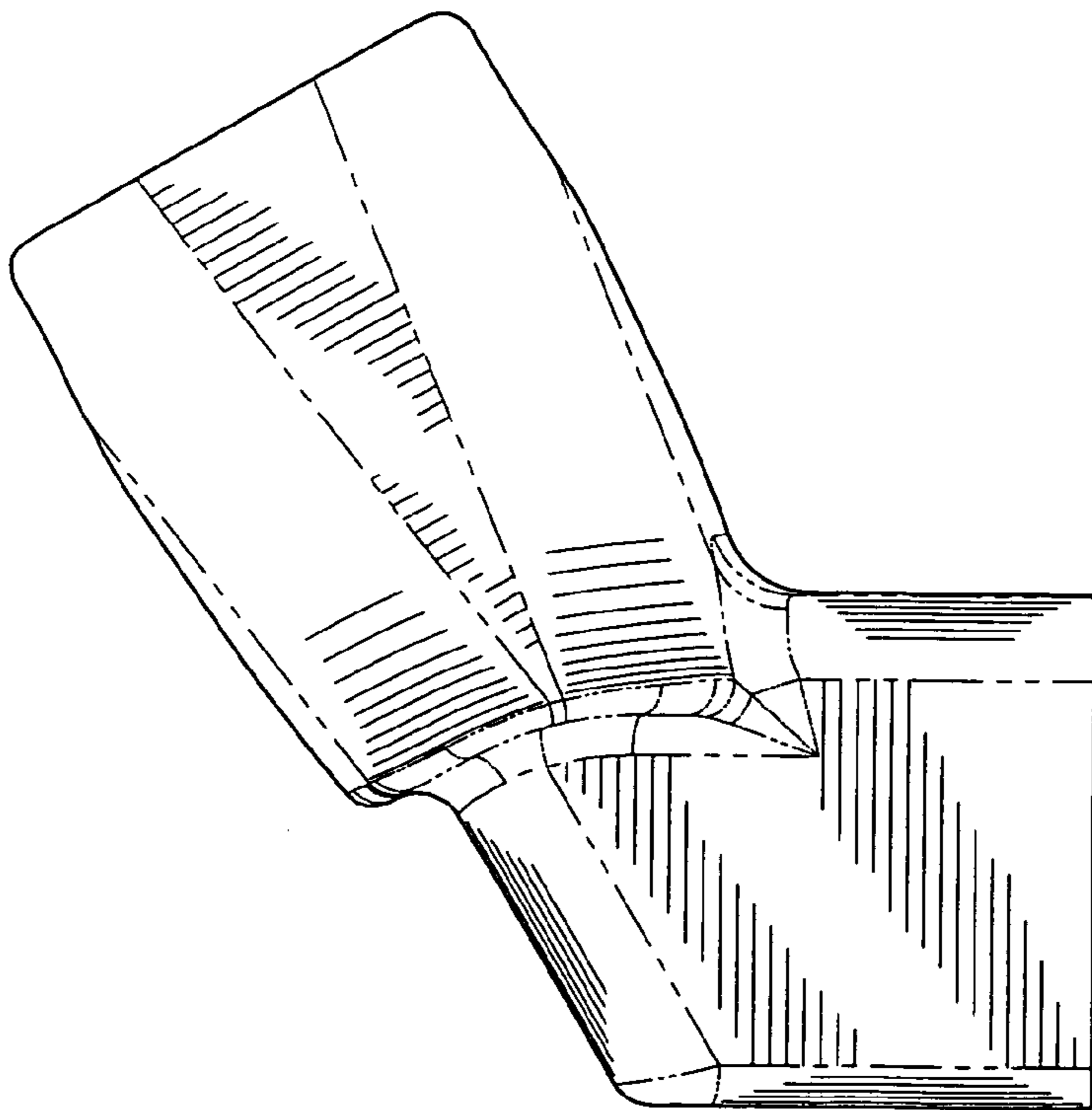


FIG. 6

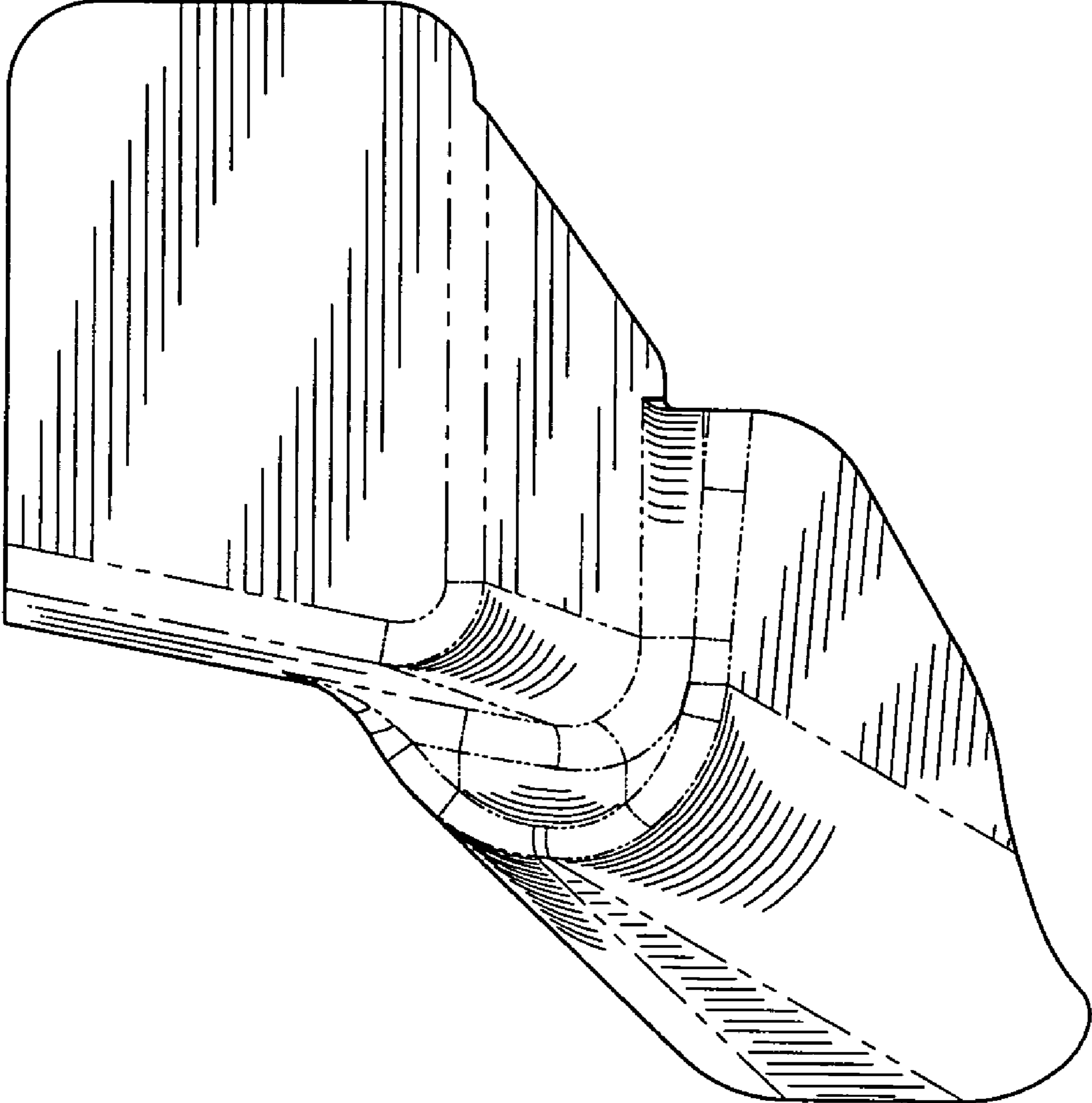


FIG. 7

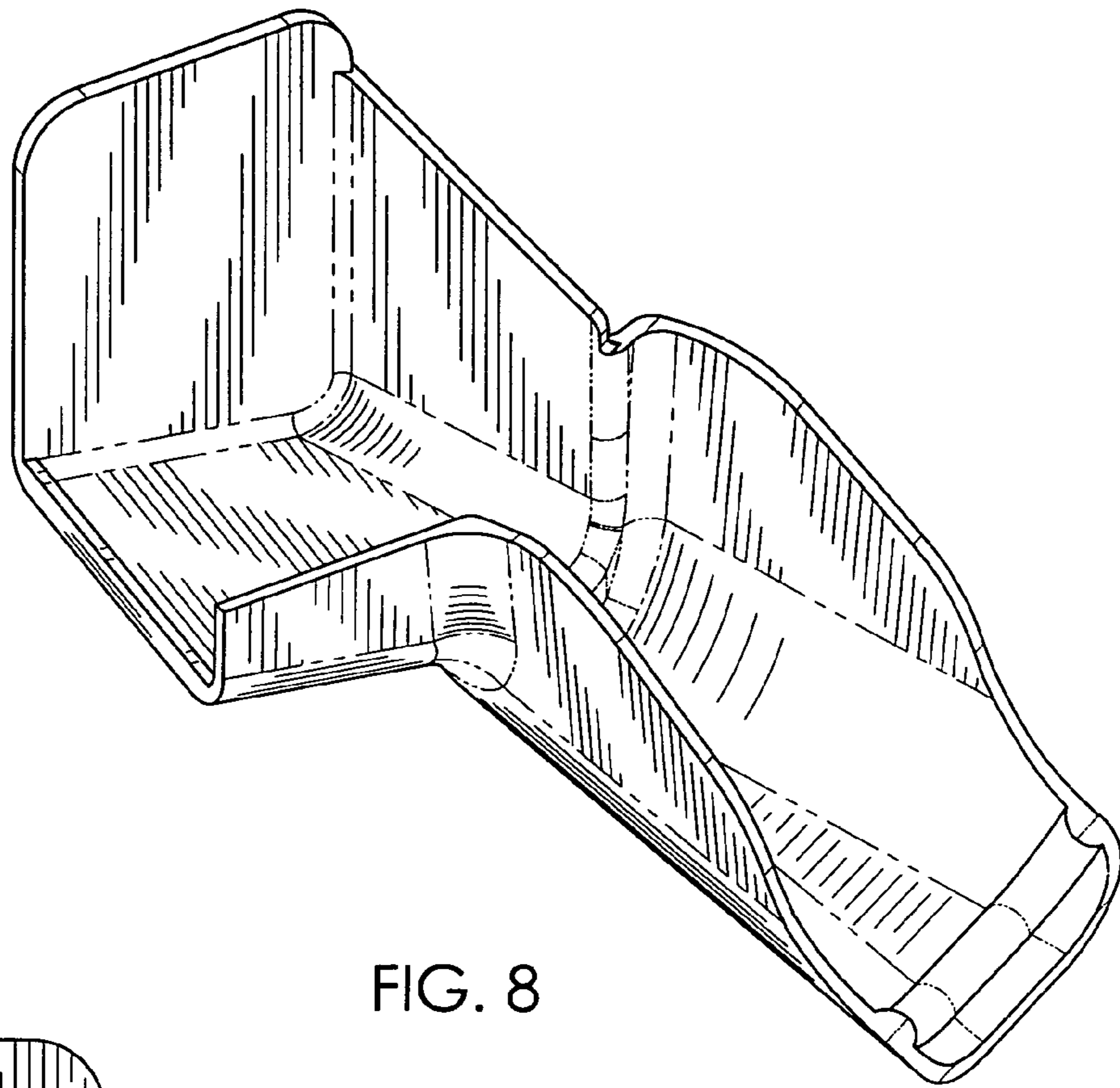


FIG. 8

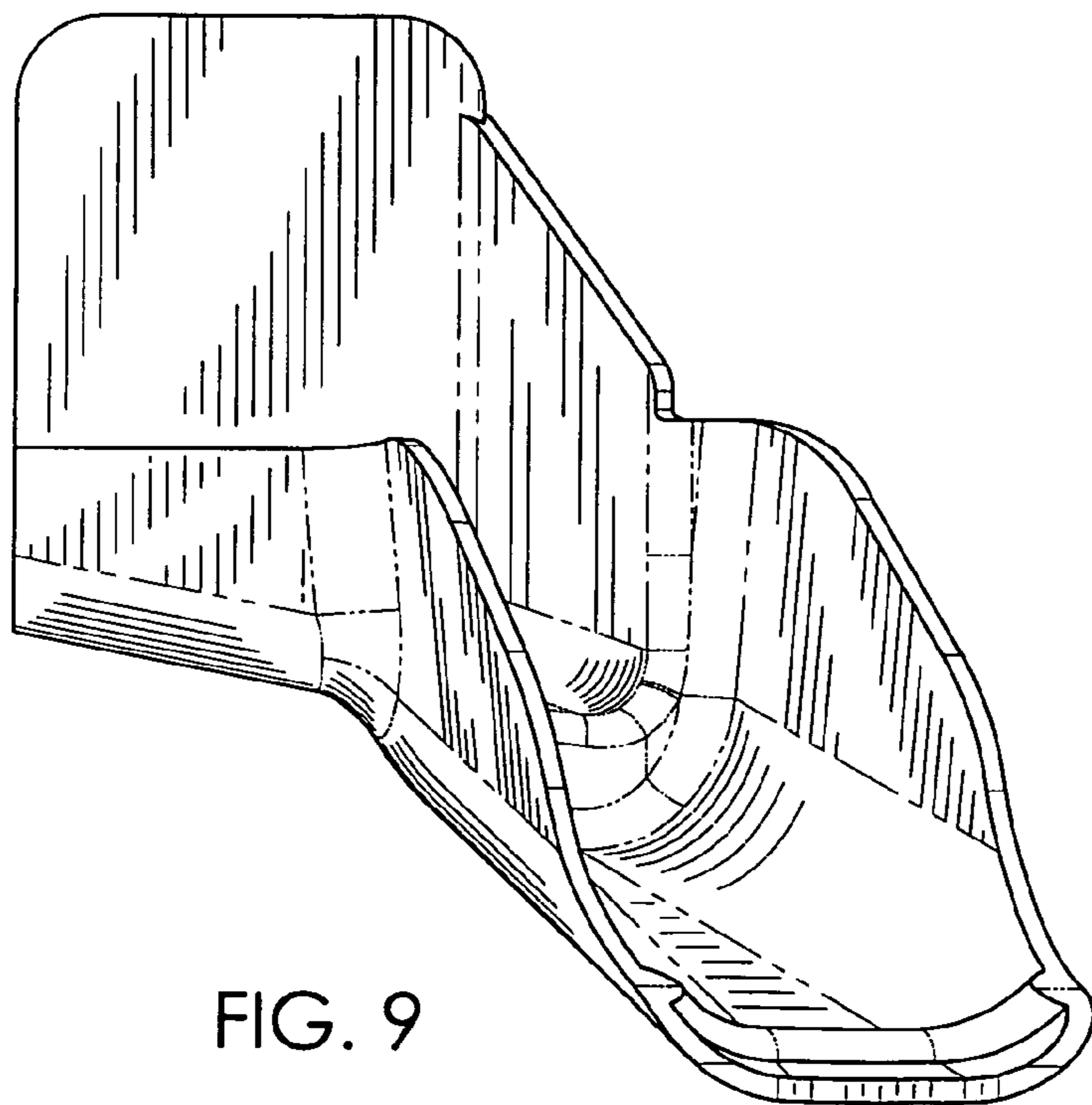


FIG. 9

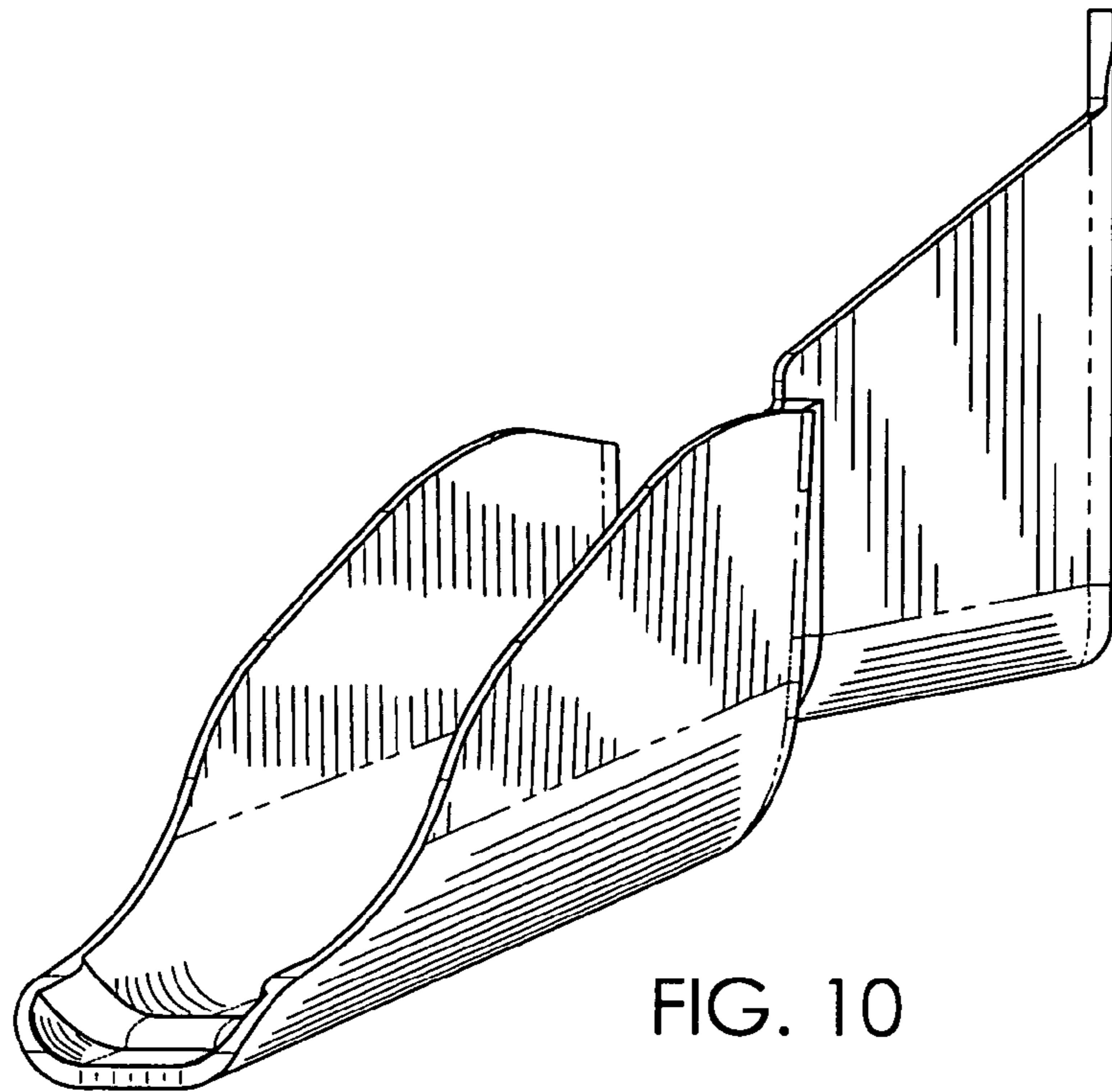


FIG. 10

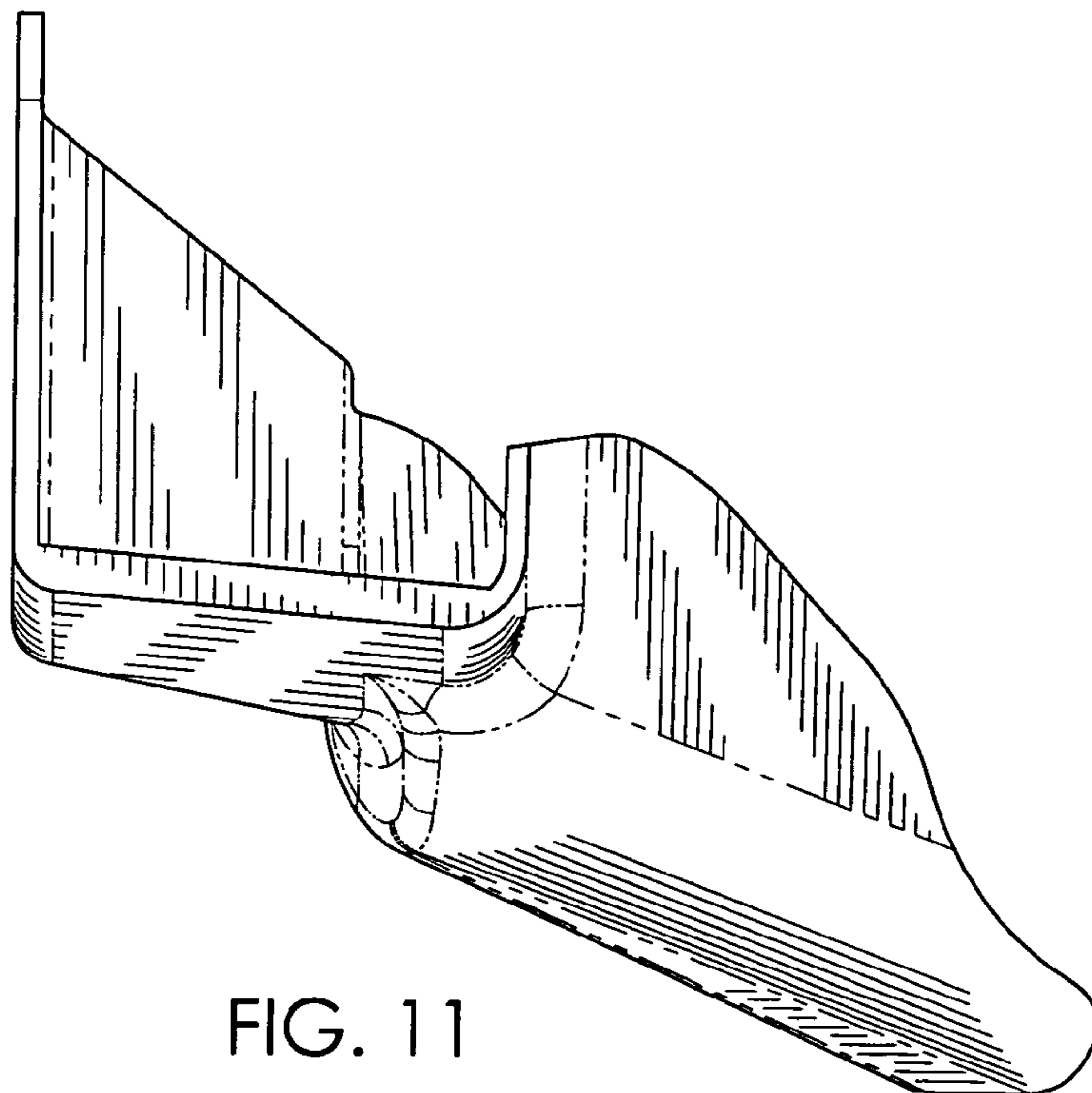


FIG. 11

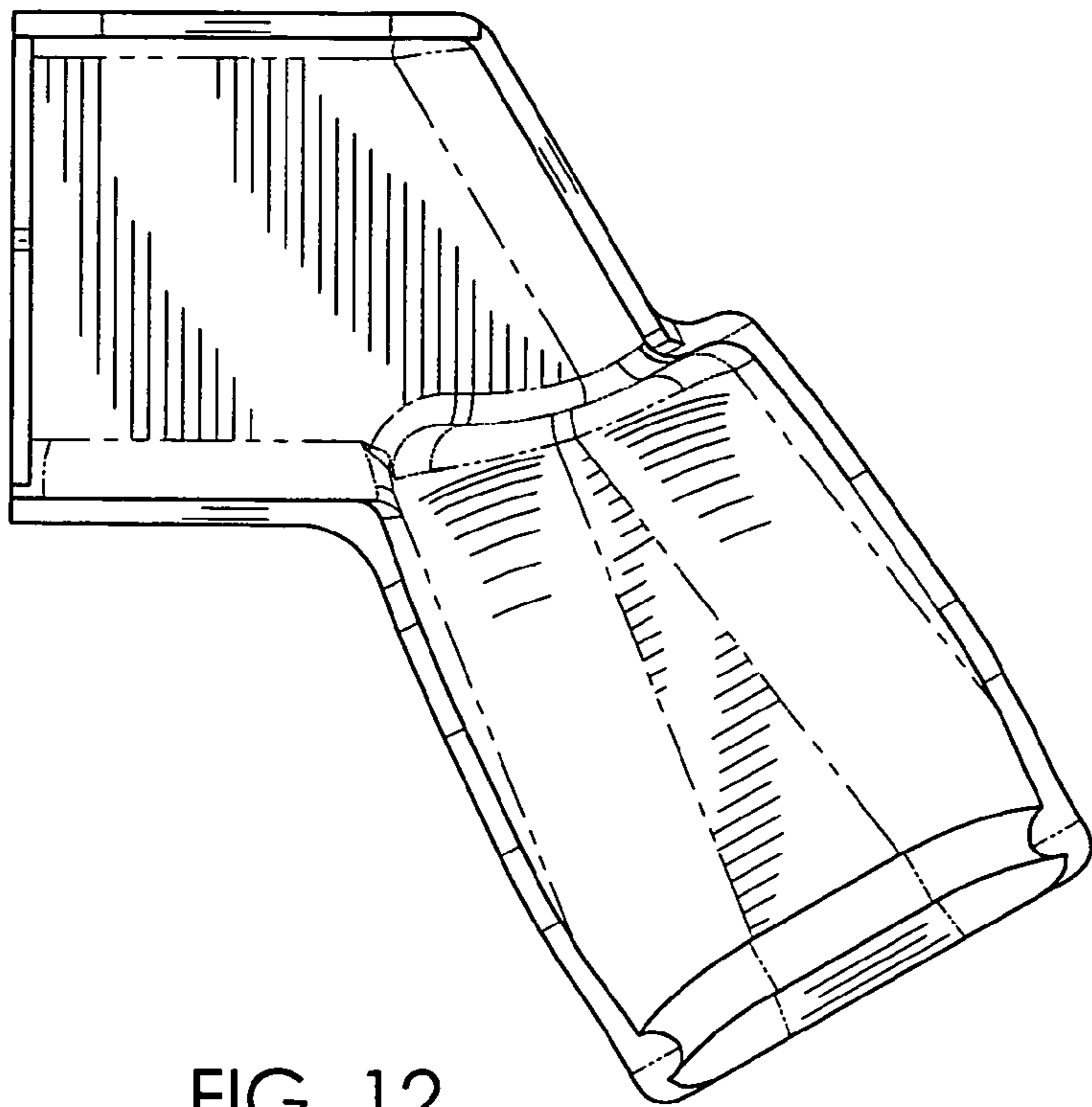


FIG. 12

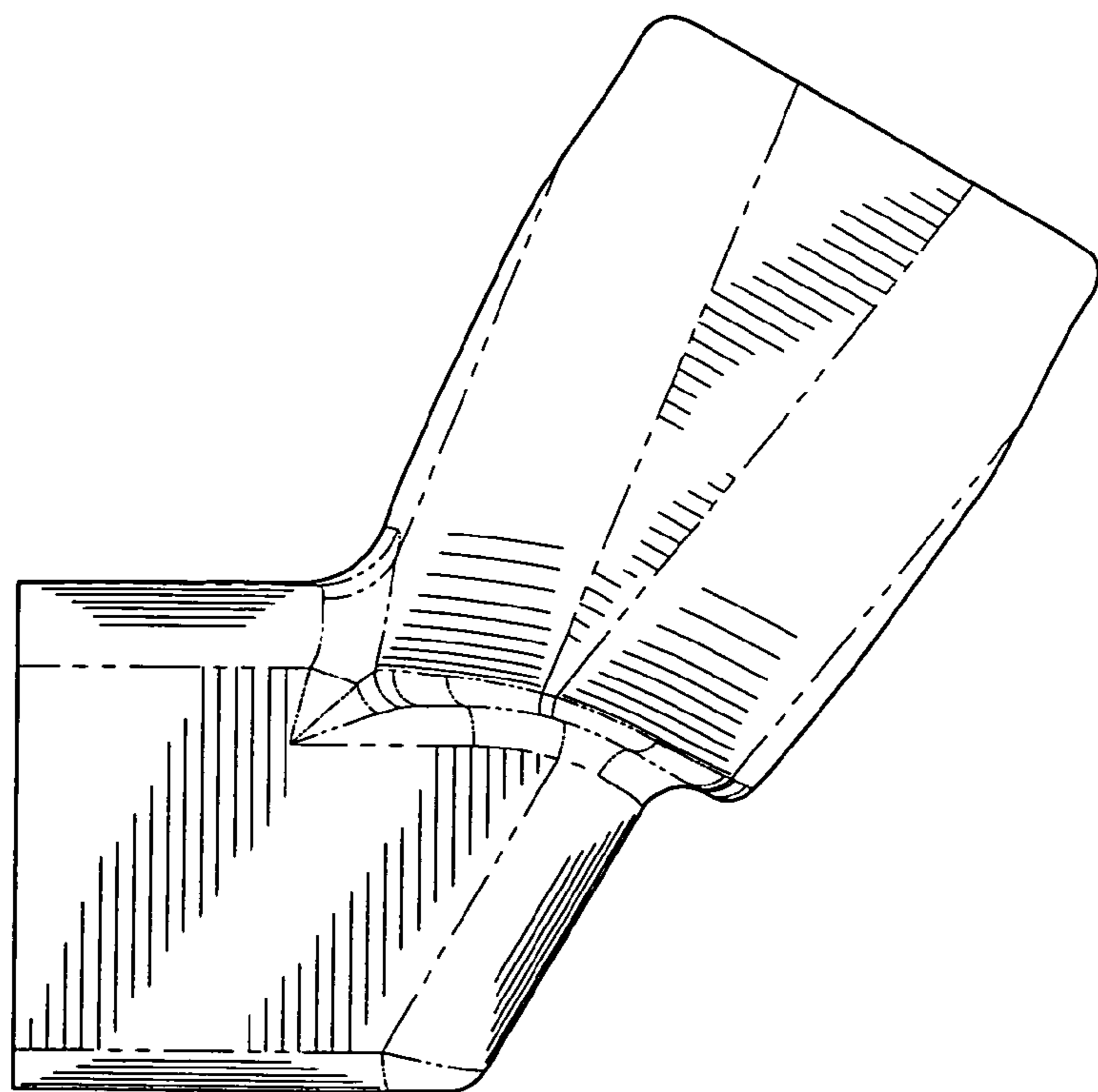


FIG. 13

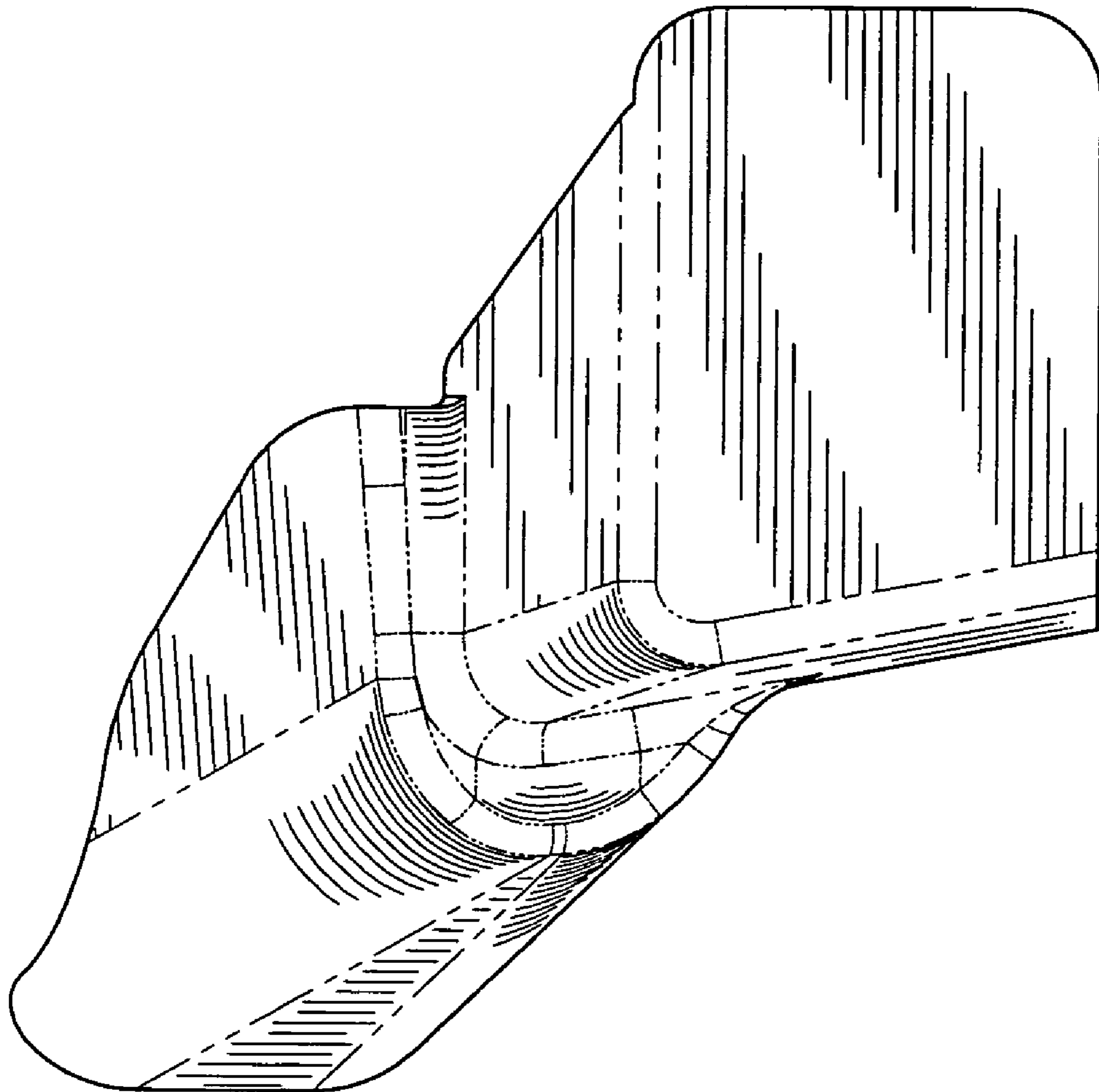


FIG. 14