



US00D552530S

(12) **United States Design Patent**
Kirkpatrick

(10) **Patent No.:** **US D552,530 S**

(45) **Date of Patent:** **** Oct. 9, 2007**

(54) **VEHICLE FLOOR ANCHOR**

(76) **Inventor:** **Michael Wayne Kirkpatrick**, 2029 S.
225th La., Buckeye, AZ (US) 85326

(**) **Term:** **14 Years**

(21) **Appl. No.:** **29/261,390**

(22) **Filed:** **Jun. 13, 2006**

(51) **LOC (8) Cl.** **12-06**

(52) **U.S. Cl.** **D12/223**

(58) **Field of Classification Search** D8/354;
D12/223; 410/102, 111; 248/499
See application file for complete search history.

(56) **References Cited**

U.S. PATENT DOCUMENTS

1,351,297	A	8/1920	McCracken	
1,470,198	A	10/1923	Miller et al.	
1,497,093	A	6/1924	Dolan	
2,786,428	A *	3/1957	Arnold	410/102
3,297,293	A *	1/1967	Andrews et al.	248/499
3,660,935	A	5/1972	Boots	
3,736,711	A	6/1973	Thornbrugh	
3,881,680	A	5/1975	Lietaert, Jr.	
3,963,210	A	6/1976	Macklin	
4,179,151	A *	12/1979	Tye	294/89
5,052,869	A *	10/1991	Hansen, II	410/111
5,444,897	A *	8/1995	Gross	24/265 CD
5,456,443	A	10/1995	Taaffe	
5,562,177	A	10/1996	Chacon	
5,692,402	A	12/1997	Clements	
5,813,259	A	9/1998	Martin	
5,855,129	A	1/1999	Warren et al.	

5,865,416	A	2/1999	Hanaway	
5,899,101	A	5/1999	West	
5,983,685	A	11/1999	Garnsworthy	
6,138,975	A	10/2000	McDaid	
6,484,544	B1	11/2002	Wing	
6,539,759	B2	4/2003	Pershall	
7,134,819	B2 *	11/2006	Bullock et al.	410/102
7,201,550	B2 *	4/2007	Borrmann et al.	410/102
2004/0113039	A1	6/2004	Becker	

* cited by examiner

Primary Examiner—Holly H. Baynham

Assistant Examiner—Sheryl Friedman

(74) *Attorney, Agent, or Firm*—The Halvorson Law Firm

(57) **CLAIM**

The ornamental design for a vehicle floor anchor, as shown and described.

DESCRIPTION

FIG. 1 is a perspective view of the vehicle floor anchor, according to the present invention;

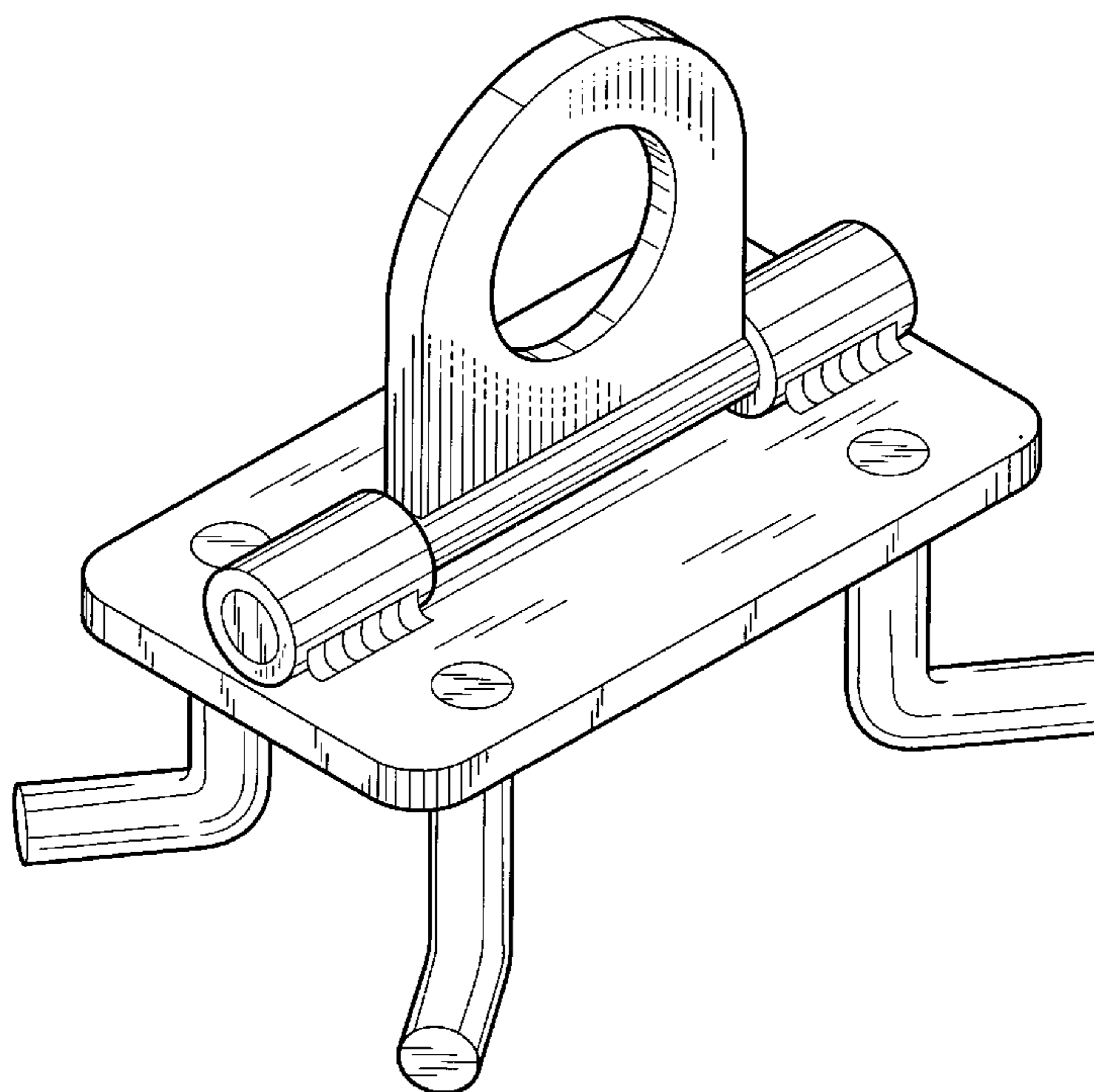
FIG. 2 is a top view of the vehicle floor anchor, according to the present invention;

FIG. 3 is a side view of the vehicle floor anchor, according to the present invention;

FIG. 4 is a bottom view of the vehicle floor anchor, according to the present invention; and,

FIG. 5 is an end view of the vehicle floor anchor, according to the present invention.

1 Claim, 3 Drawing Sheets



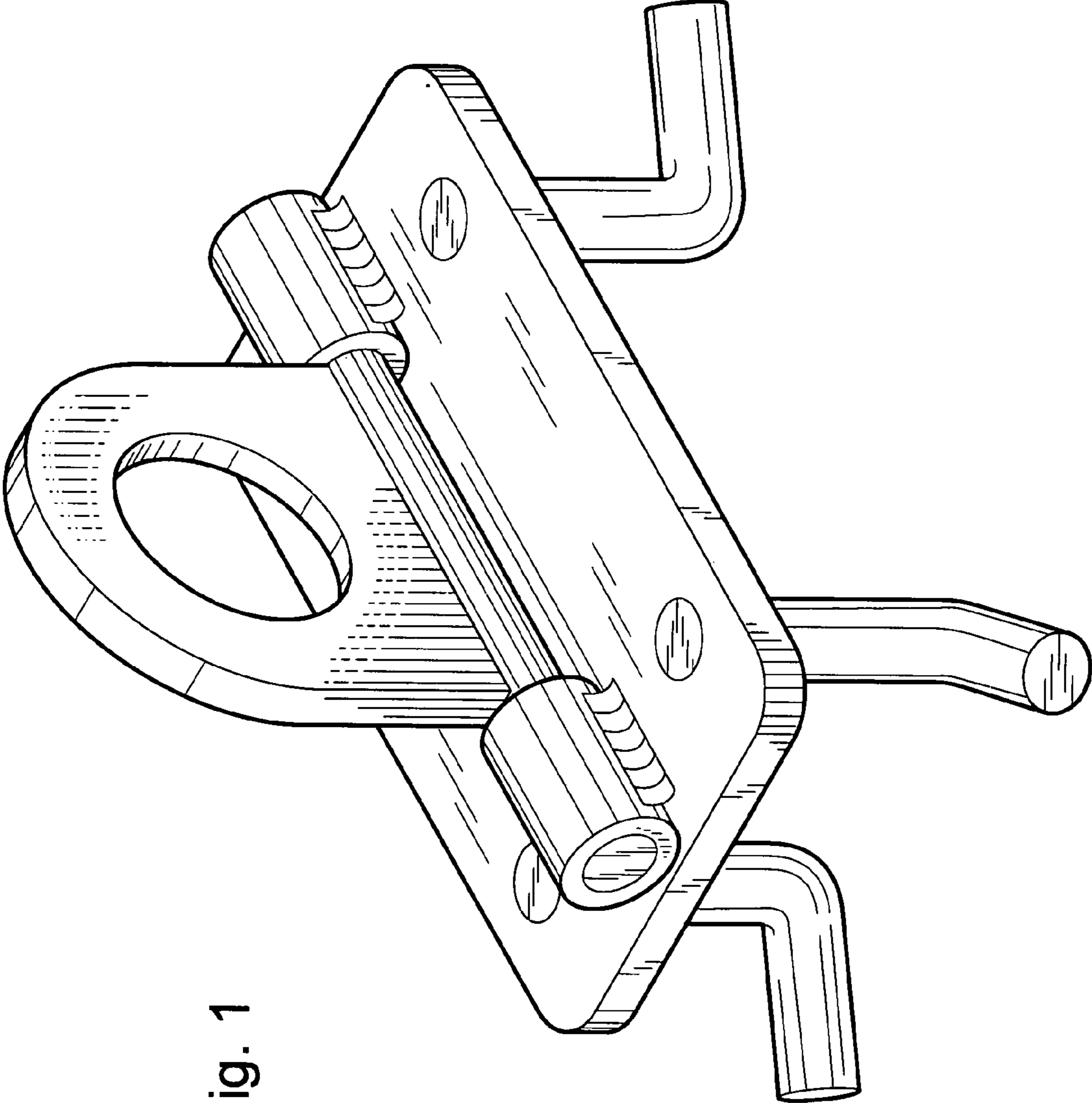


Fig. 1

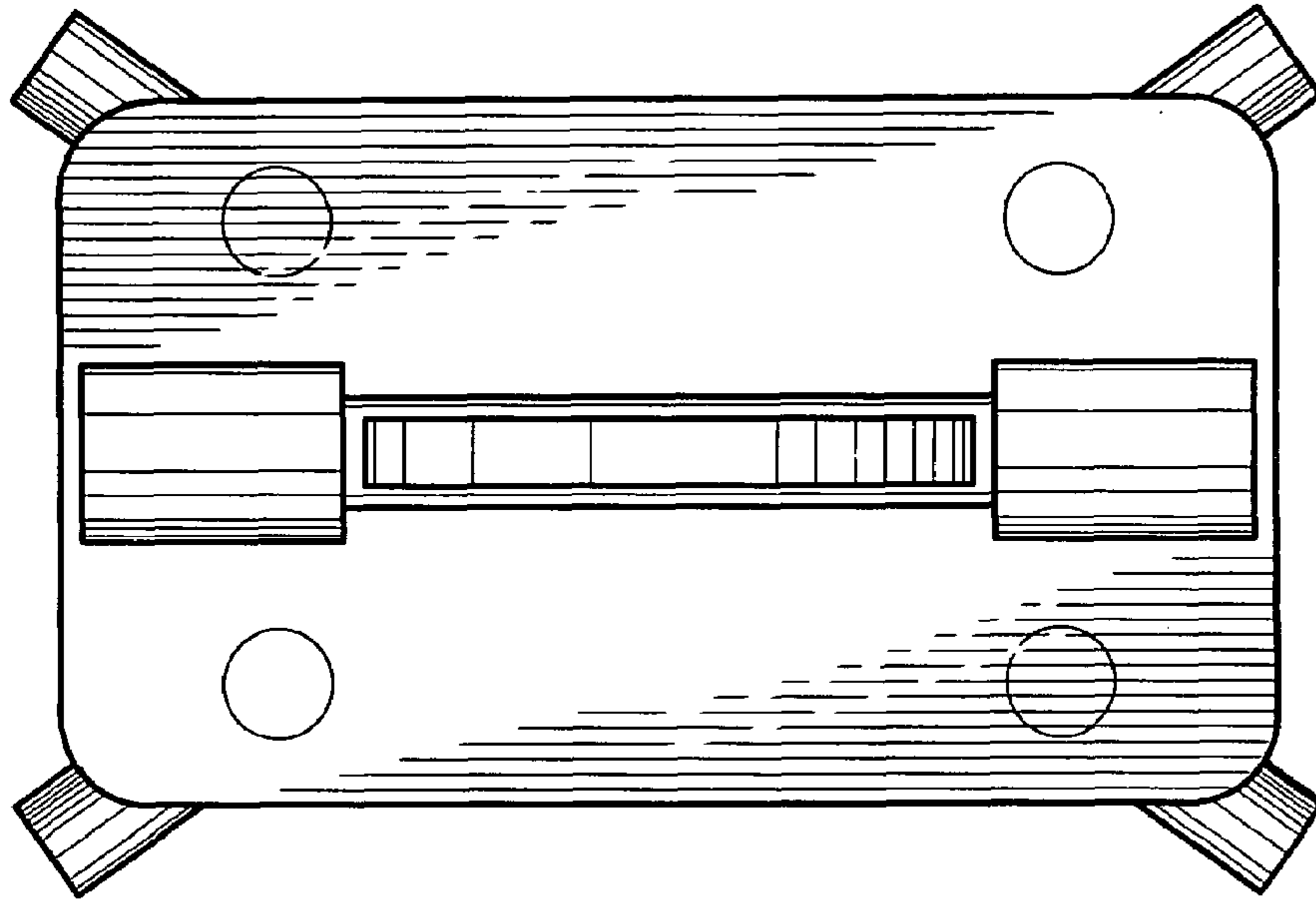


Fig. 2

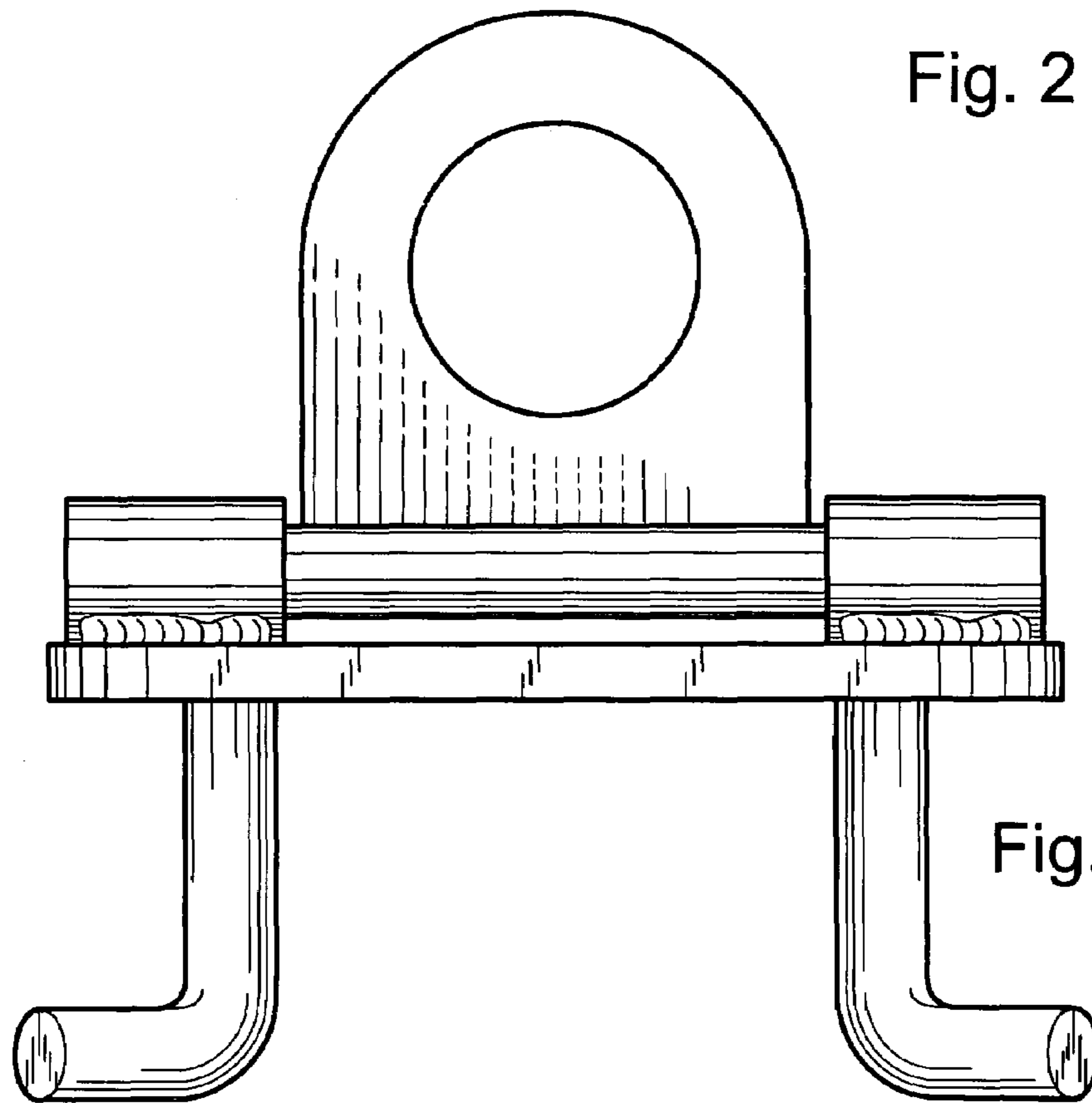


Fig. 3

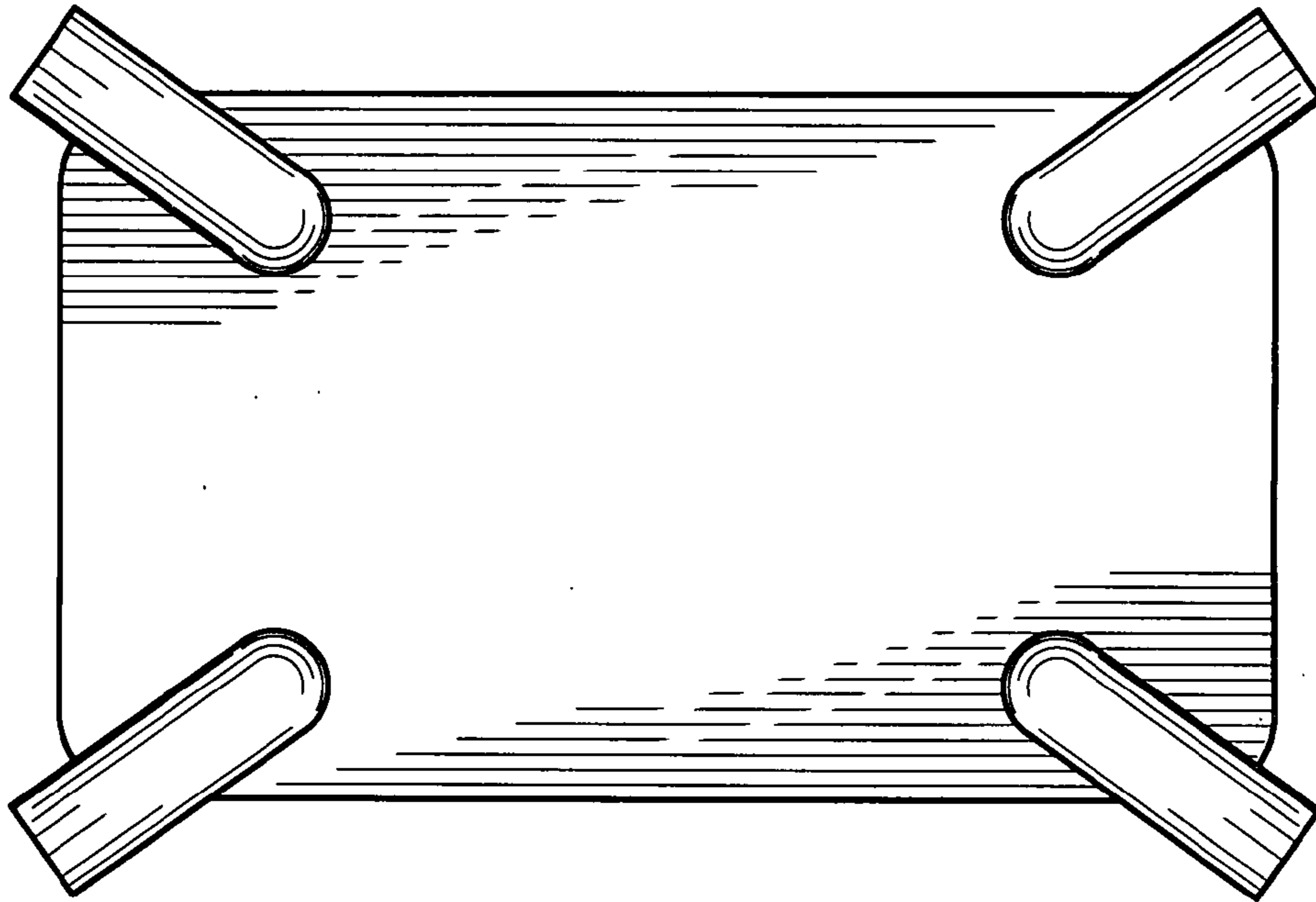


Fig. 4

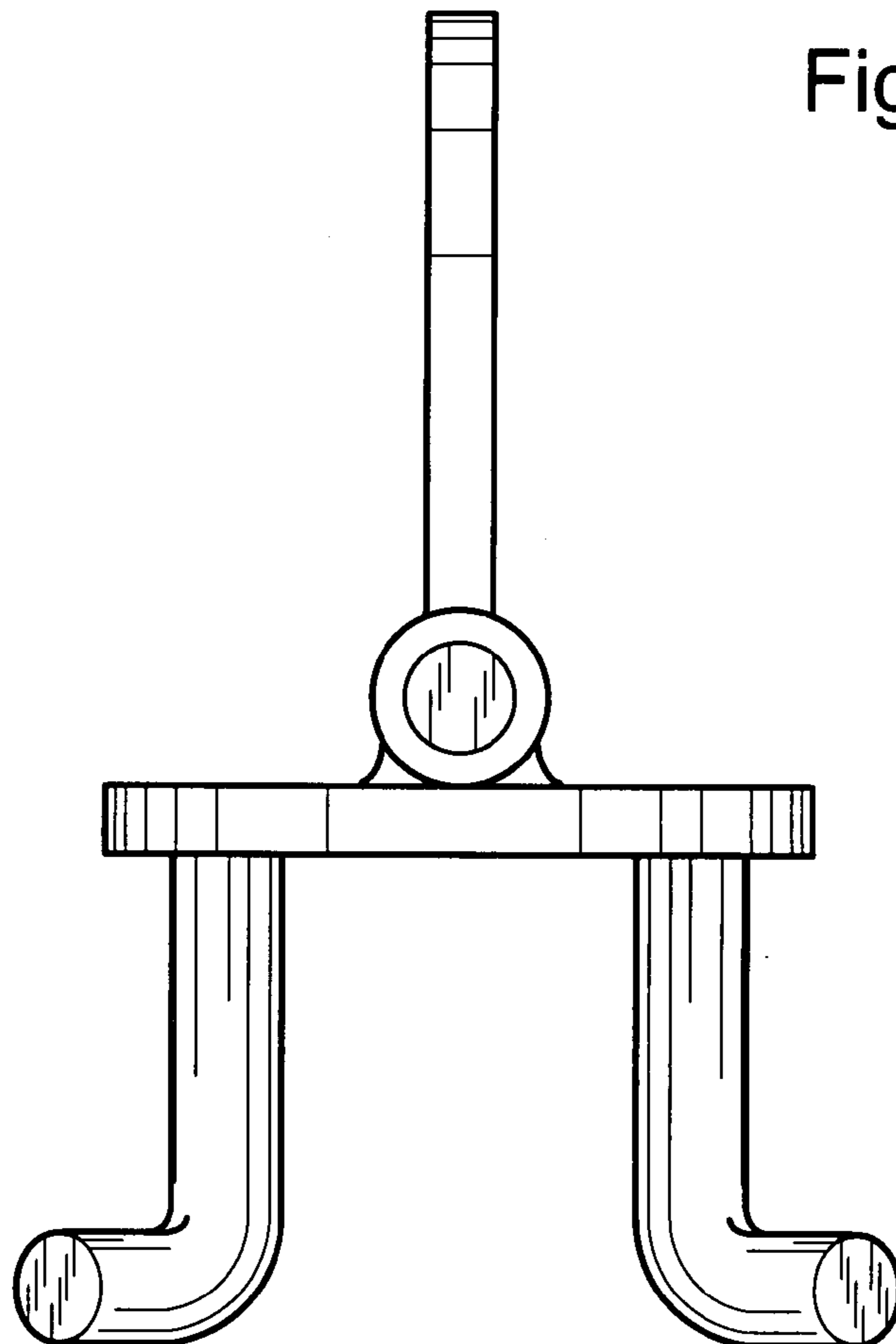


Fig. 5