



US00D552529S

(12) **United States Design Patent**  
**Klinkman**

(10) **Patent No.:** **US D552,529 S**

(45) **Date of Patent:** **\*\* Oct. 9, 2007**

(54) **BED RAIL**

D478,858 S \* 8/2003 LaBelle ..... D12/223  
7,014,400 B1 \* 3/2006 LaBelle et al. .... 410/104

(75) Inventor: **John E. Klinkman**, Riley Township,  
MI (US)

\* cited by examiner

(73) Assignee: **SportRack LLC**, Sterling Heights, MI  
(US)

*Primary Examiner*—Stacia Cadmus  
(74) *Attorney, Agent, or Firm*—Rader, Fishman & Grauer  
PLLC

(\*\*) Term: **14 Years**

(57) **CLAIM**

(21) Appl. No.: **29/242,141**

The ornamental design for a bed rail, as shown and  
described.

(22) Filed: **Mar. 28, 2006**

(51) **LOC (8) Cl.** ..... **12-06**

(52) **U.S. Cl.** ..... **D12/223**

(58) **Field of Classification Search** ..... D12/221,  
D12/223, 400, 414; D8/376; D25/119–126,  
D25/164; D6/503; 410/104; 224/403; 296/26.08–26.09,  
296/37.6, 39.1–39.2, 100.12; 108/44, 143  
See application file for complete search history.

**DESCRIPTION**

FIG. 1 is a perspective view of a bed rail, showing my new  
design;

FIG. 2 is a left side view thereof, it being understood that the  
right side is plain and unornamented;

FIG. 3 is a top view thereof, it being understood that the  
bottom is plain and unornamented; and,

FIG. 4 is an enlarged end view, it being understood that the  
opposite end is a mirror image thereof.

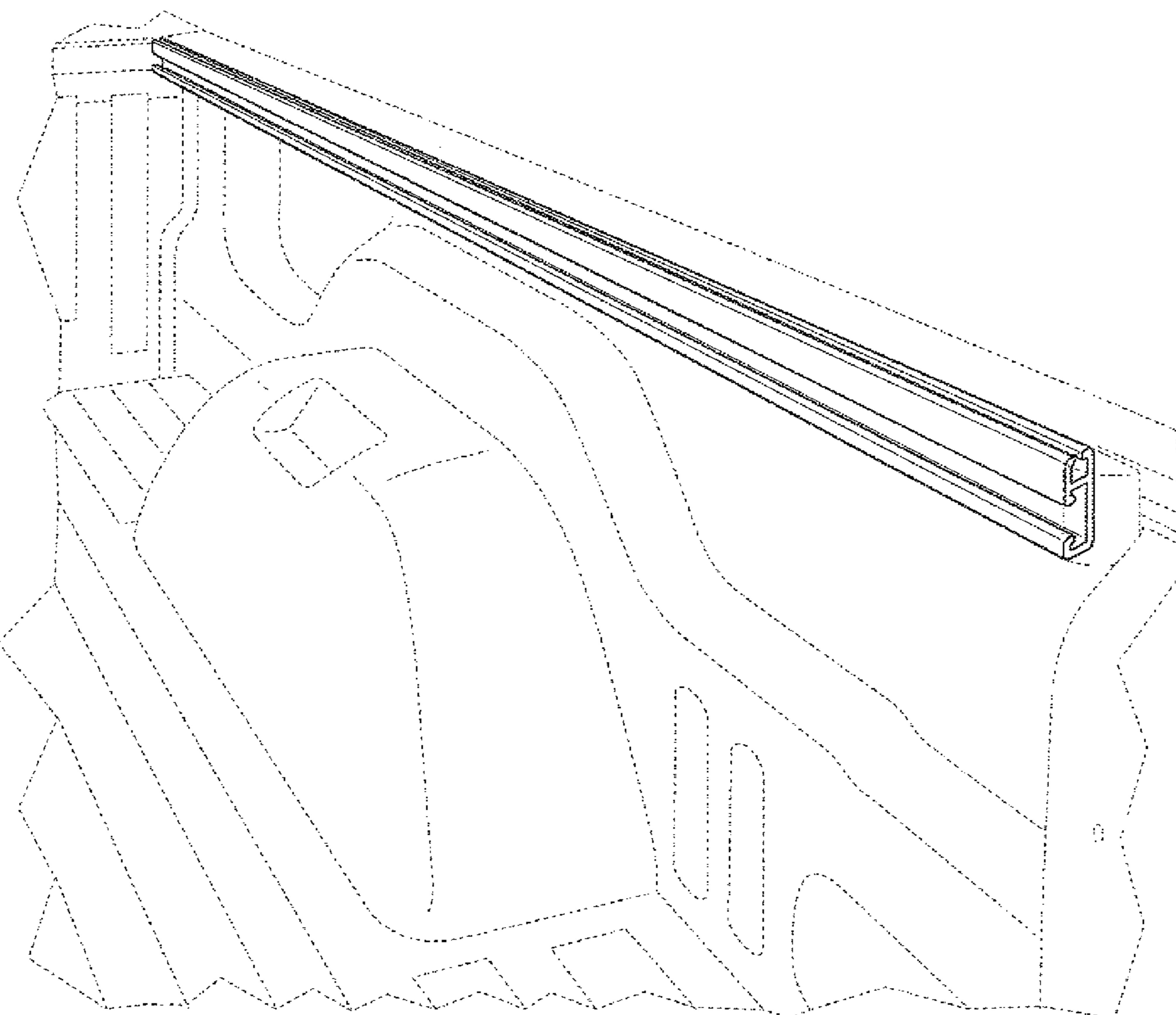
The broken line showing of environment is for illustrative  
purposes only and forms no part of the claimed design.

(56) **References Cited**

U.S. PATENT DOCUMENTS

- D230,453 S \* 2/1974 Harris ..... D6/503
- 5,988,722 A \* 11/1999 Parri ..... 296/26.09
- D446,181 S \* 8/2001 Darbshire ..... D12/223
- D477,805 S \* 7/2003 LaBelle et al. .... D12/223
- D478,271 S \* 8/2003 McCoy et al. .... D8/376

**1 Claim, 2 Drawing Sheets**



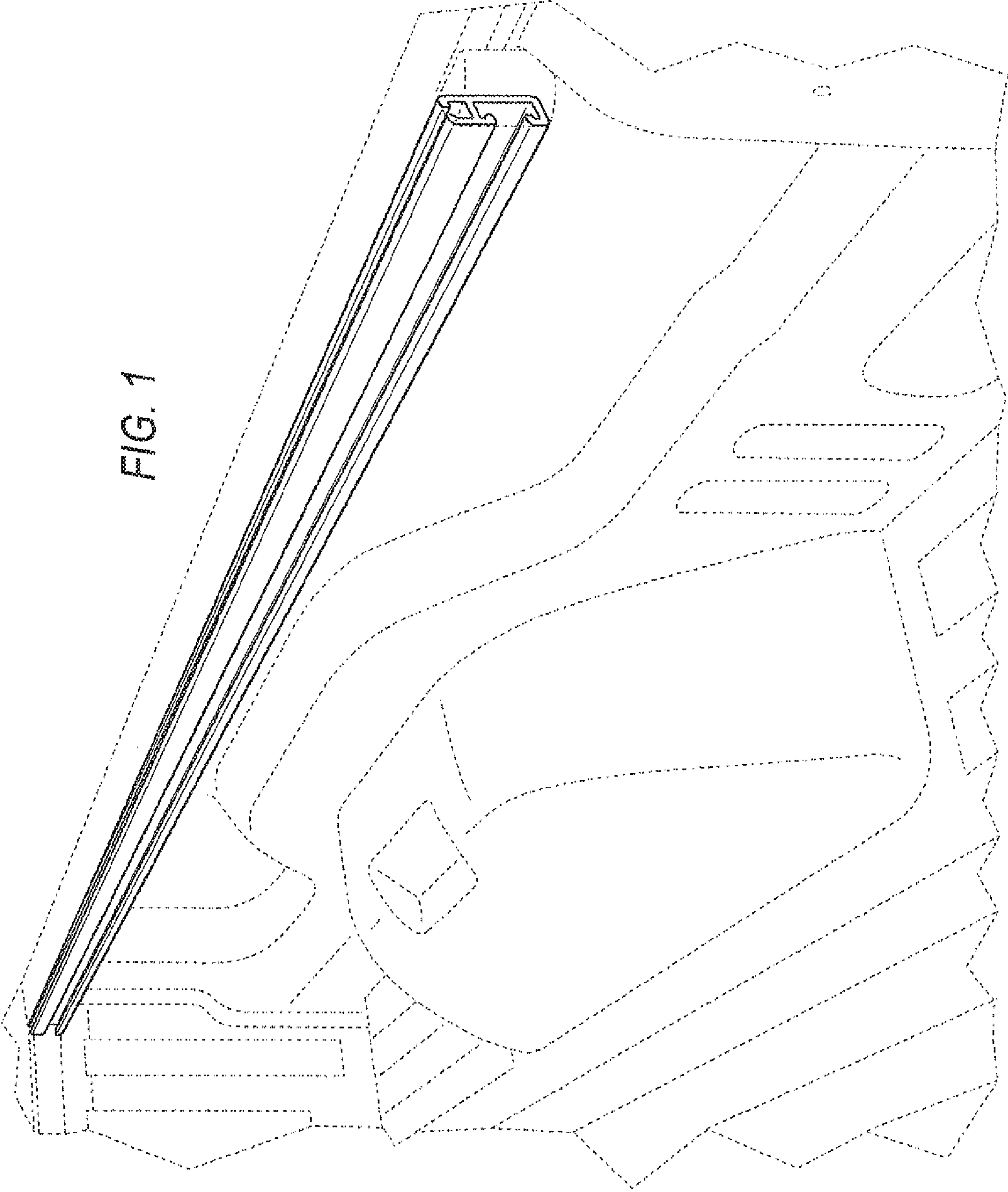


FIG. 1

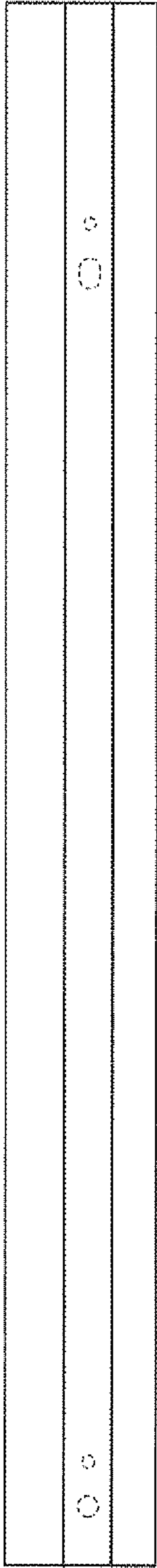


FIG. 2

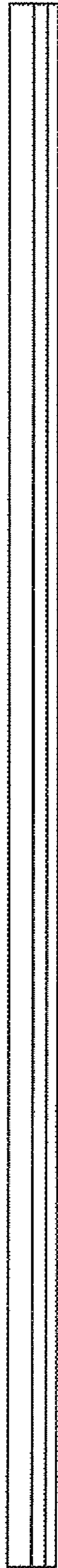


FIG. 3

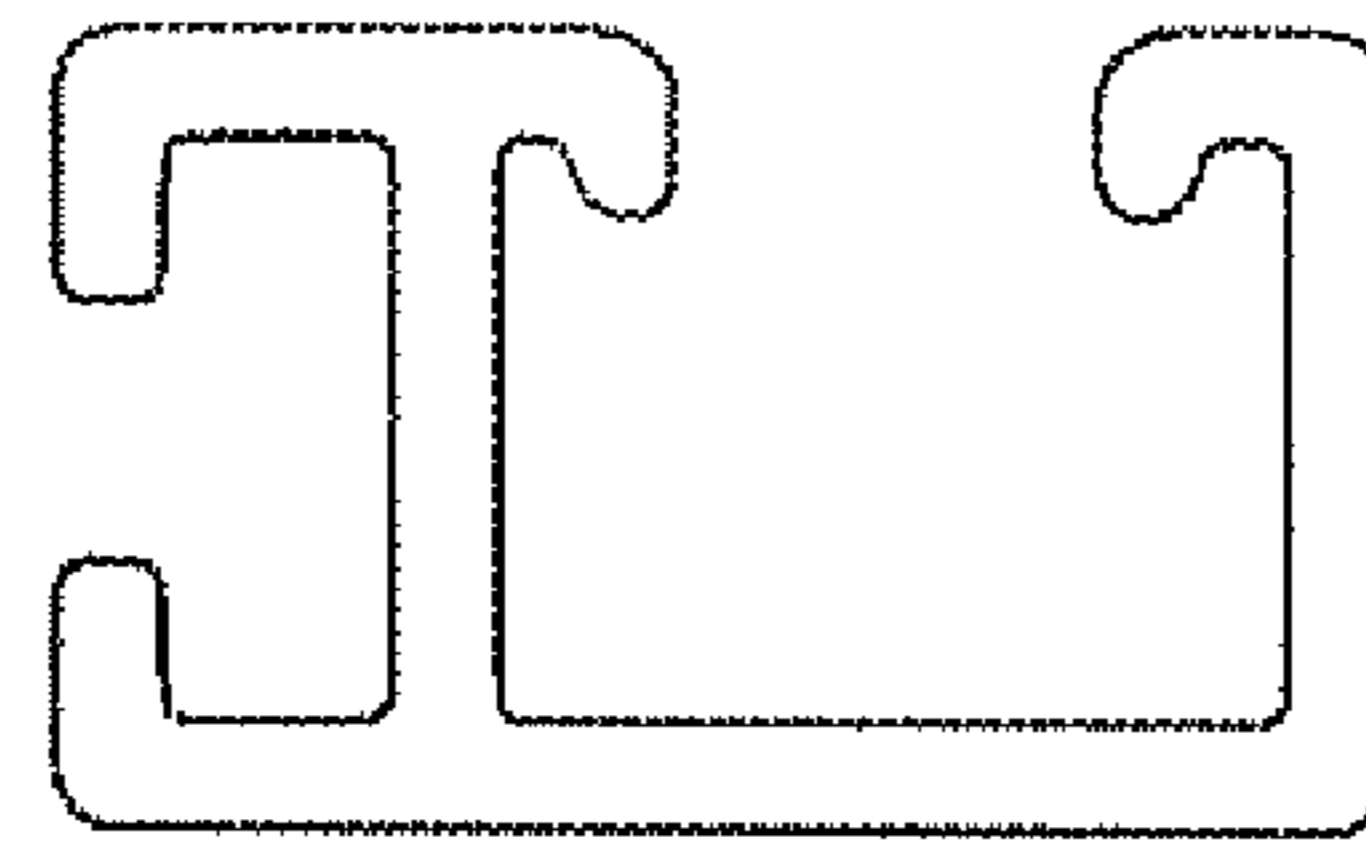


FIG. 4