



US00D552526S

(12) **United States Design Patent**  
**Smith**

(10) **Patent No.:** **US D552,526 S**

(45) **Date of Patent:** **\*\* Oct. 9, 2007**

(54) **MARINE ANCHOR**

6,332,423 B1 \* 12/2001 Petersen ..... 114/301  
7,111,576 B2 \* 9/2006 Francis ..... 114/301

(76) Inventor: **Peter Kevin Smith**, P.O. Box 6369,  
Wellesley Street, Auckland (NZ) 1036

\* cited by examiner

(\*\*) Term: **14 Years**

*Primary Examiner*—Lisa Lichtenstein

(21) Appl. No.: **29/224,840**

(57) **CLAIM**

(22) Filed: **Mar. 9, 2005**

The ornamental design for a marine anchor, as shown and described.

(51) **LOC (8) Cl.** ..... **12-16**

(52) **U.S. Cl.** ..... **D12/215**

(58) **Field of Classification Search** ..... D12/215;  
114/294, 298, 301

See application file for complete search history.

**DESCRIPTION**

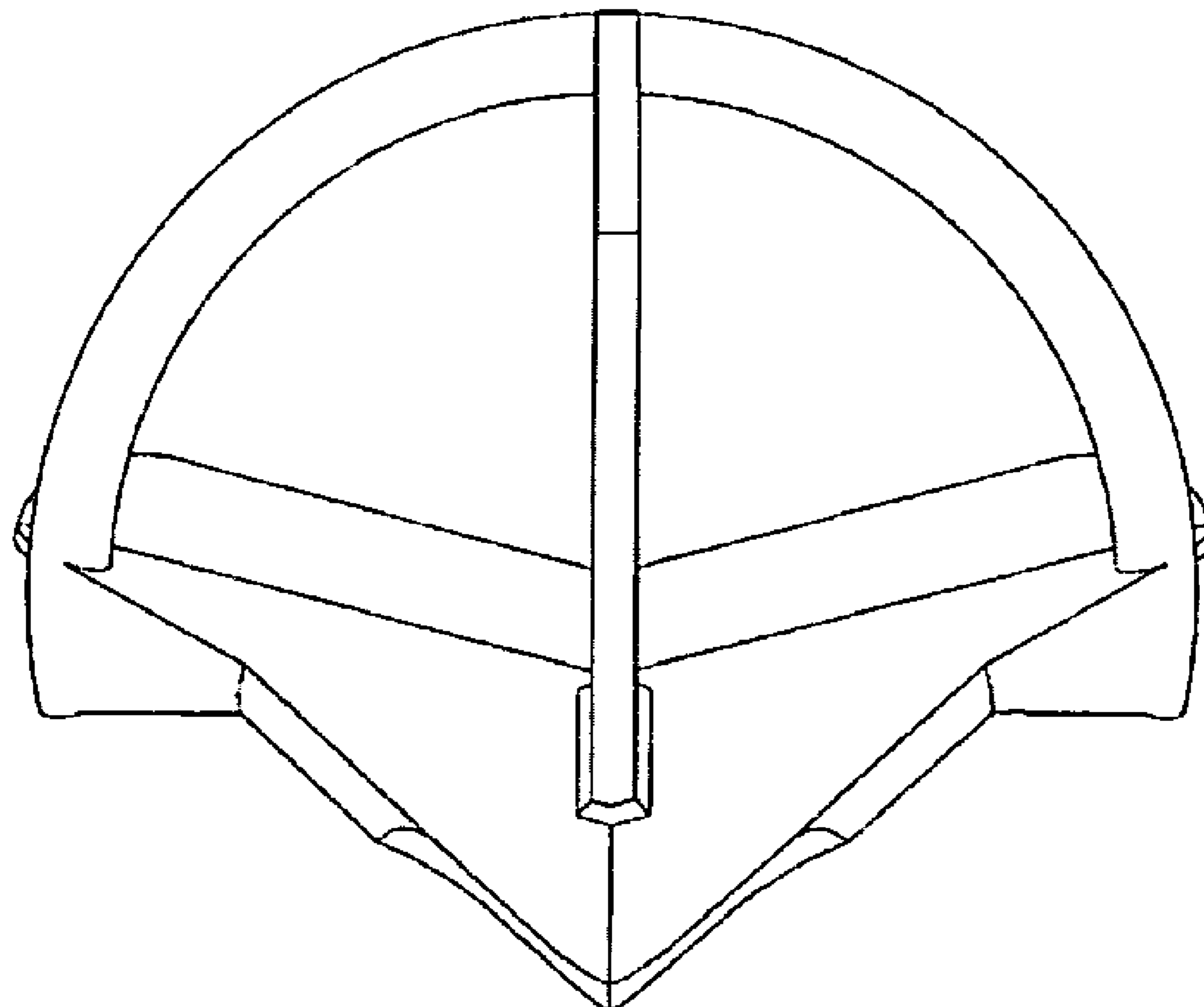
FIG. 1 is a rear elevation view of a marine anchor;  
FIG. 2 is a side elevation view thereof, the opposite side being a mirror image of that shown;  
FIG. 3 is a front elevation view thereof;  
FIG. 4 is an enlarged top plan view thereof;  
FIG. 5 is an enlarged bottom plan view thereof;  
FIG. 6 is a front perspective view thereof; and,  
FIG. 7 is a rear perspective view thereof.

(56) **References Cited**

U.S. PATENT DOCUMENTS

5,855,181 A \* 1/1999 Oxford ..... 114/301  
5,970,902 A \* 10/1999 Francis ..... 114/301  
6,148,758 A \* 11/2000 Wilkins ..... 114/301  
D444,440 S \* 7/2001 Peabody ..... D12/215  
D452,471 S \* 12/2001 Hoareau ..... D12/215

**1 Claim, 3 Drawing Sheets**



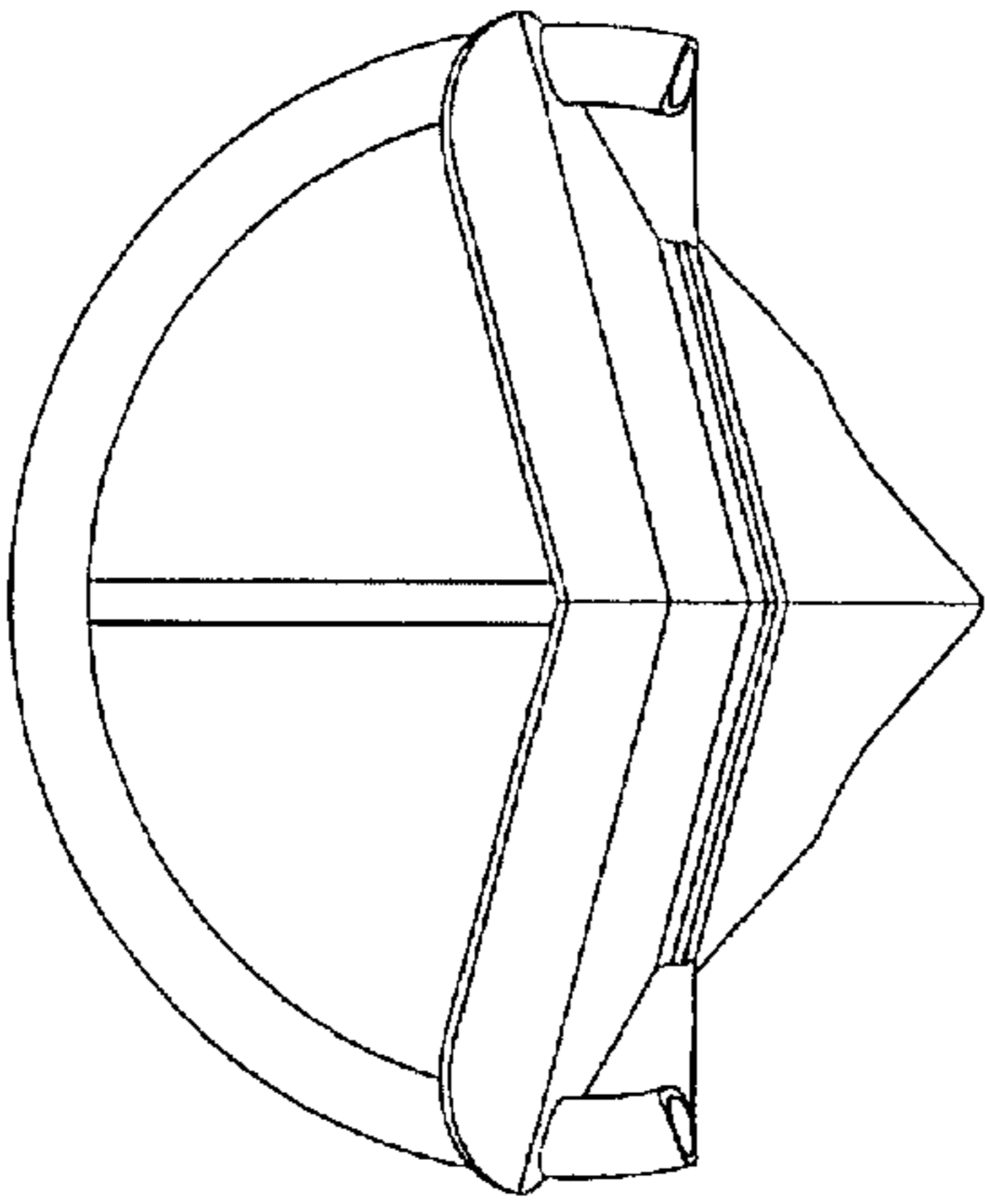


Figure 3

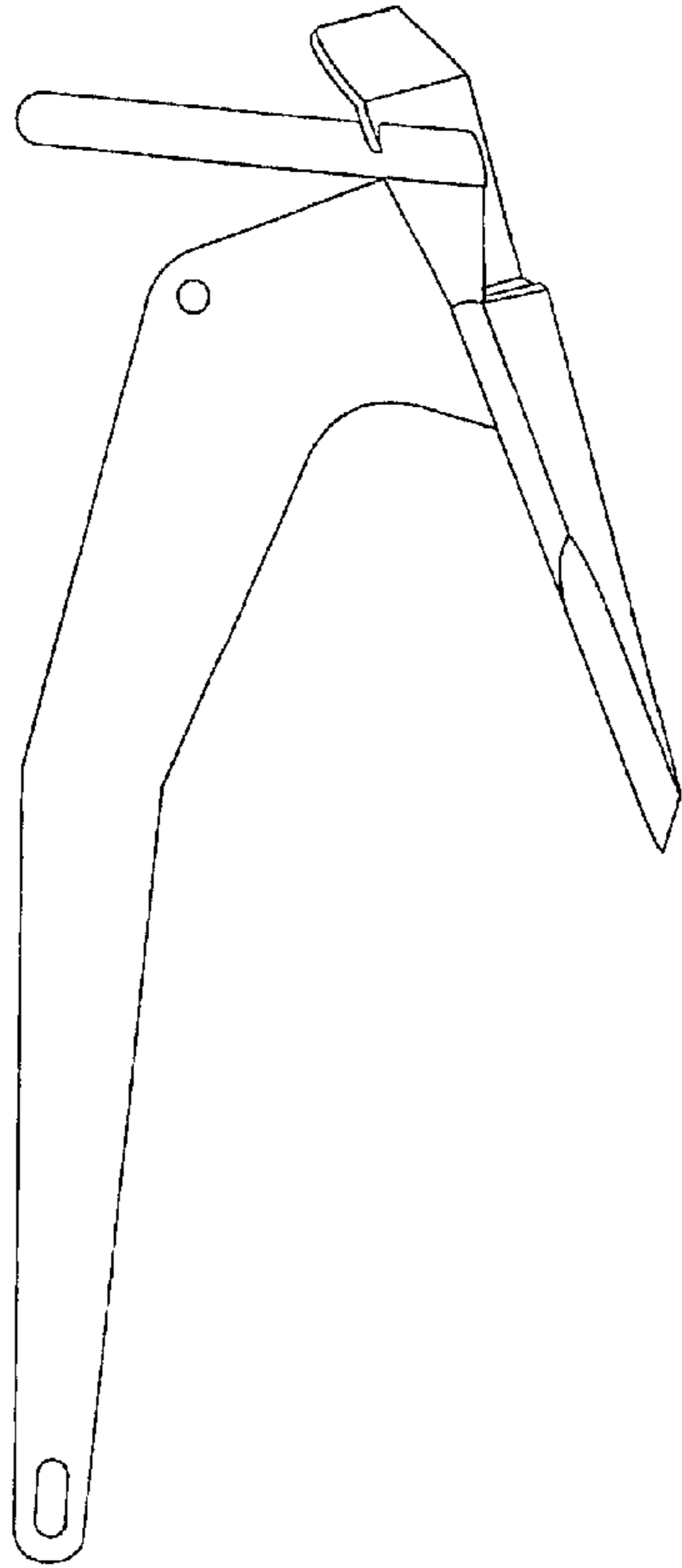


Figure 2

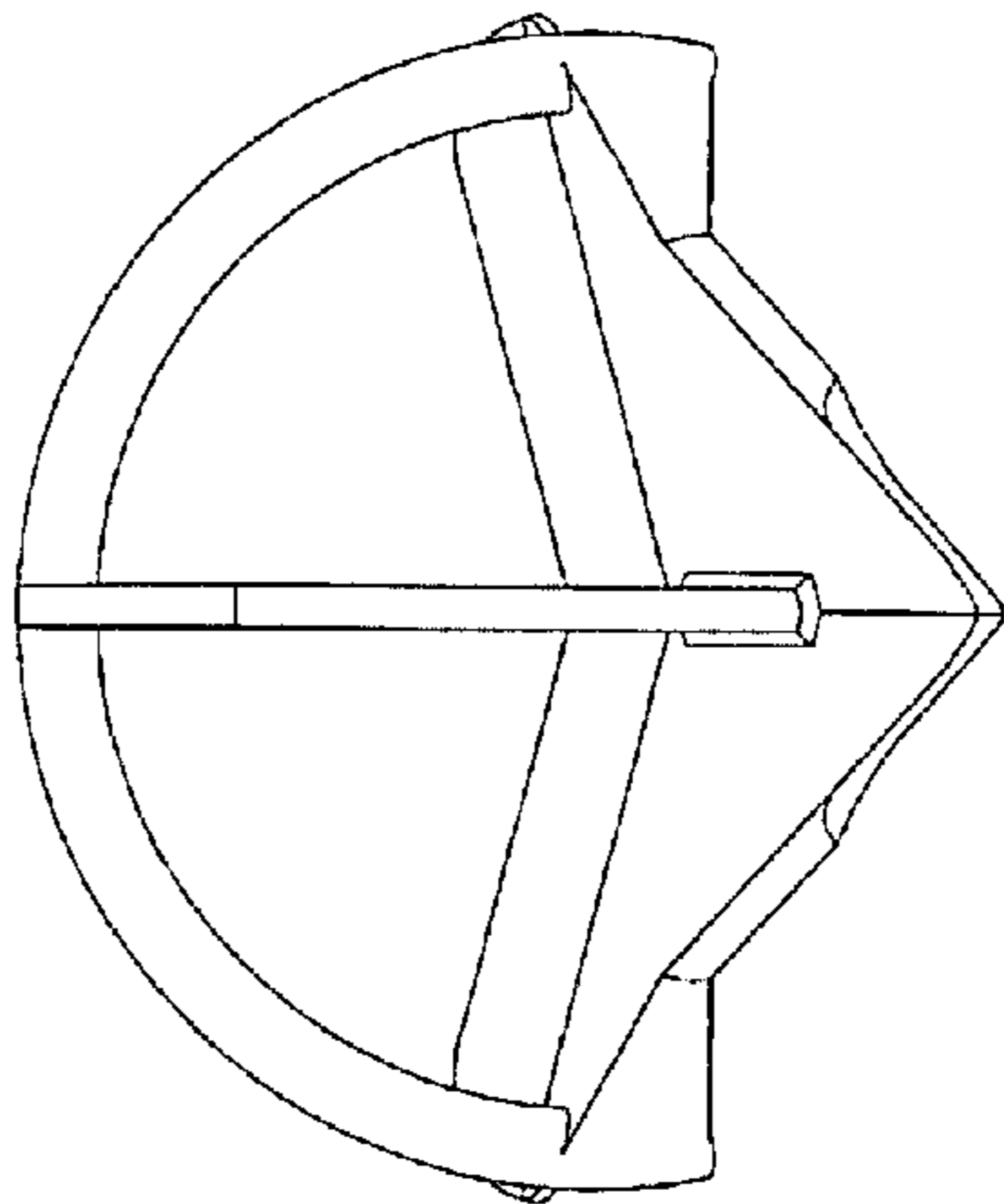


Figure 1

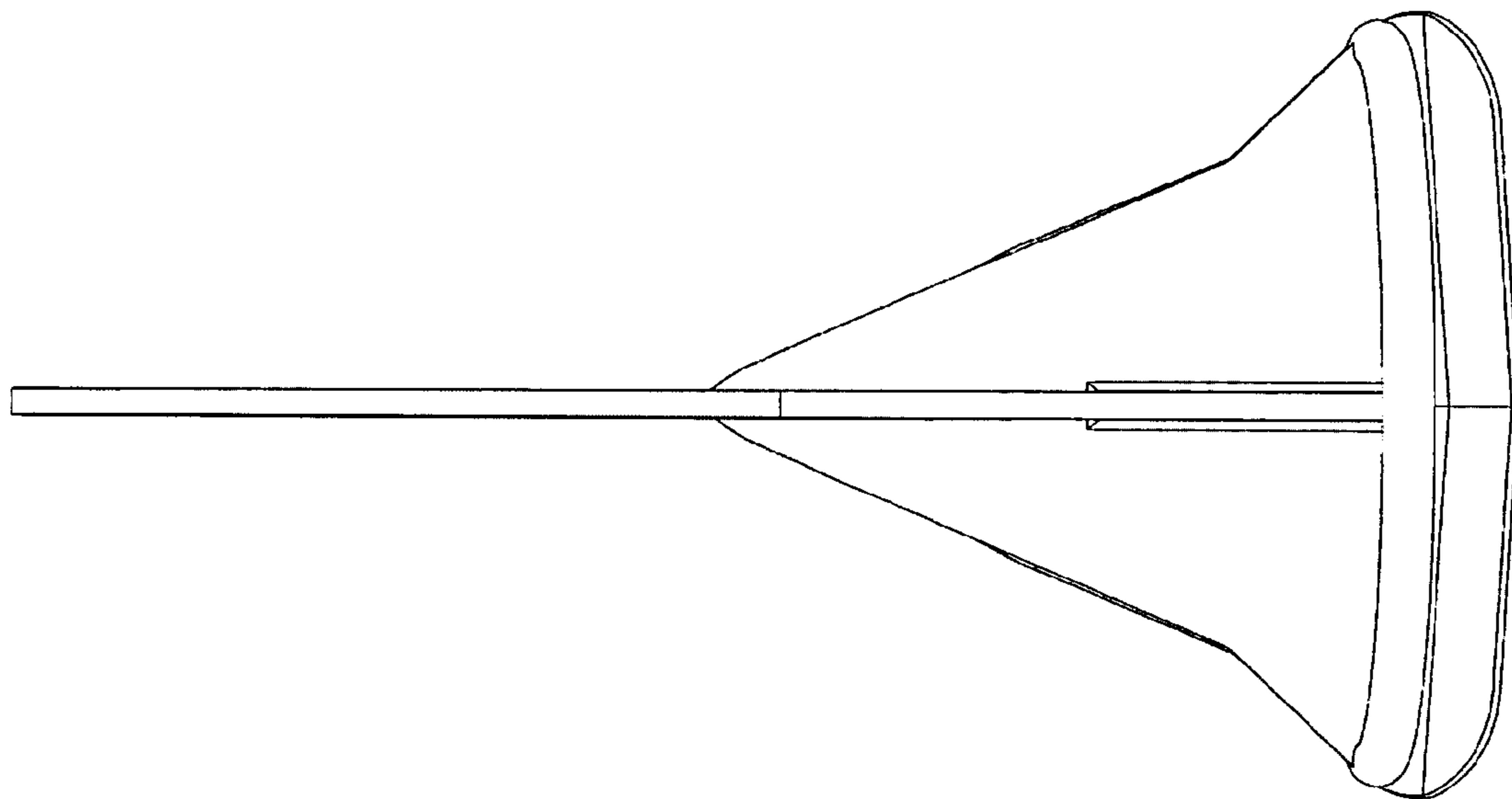


Figure 4

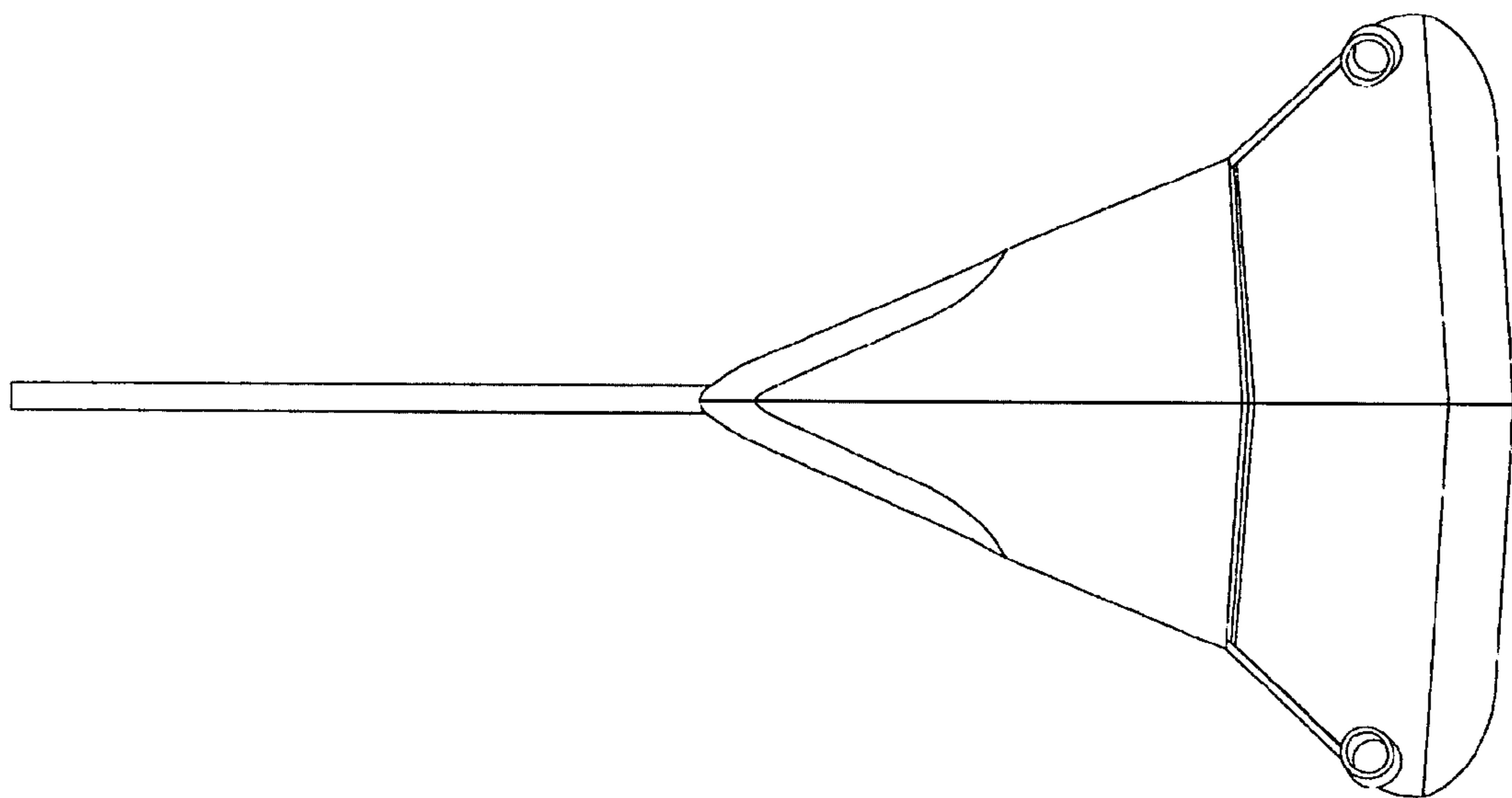


Figure 5

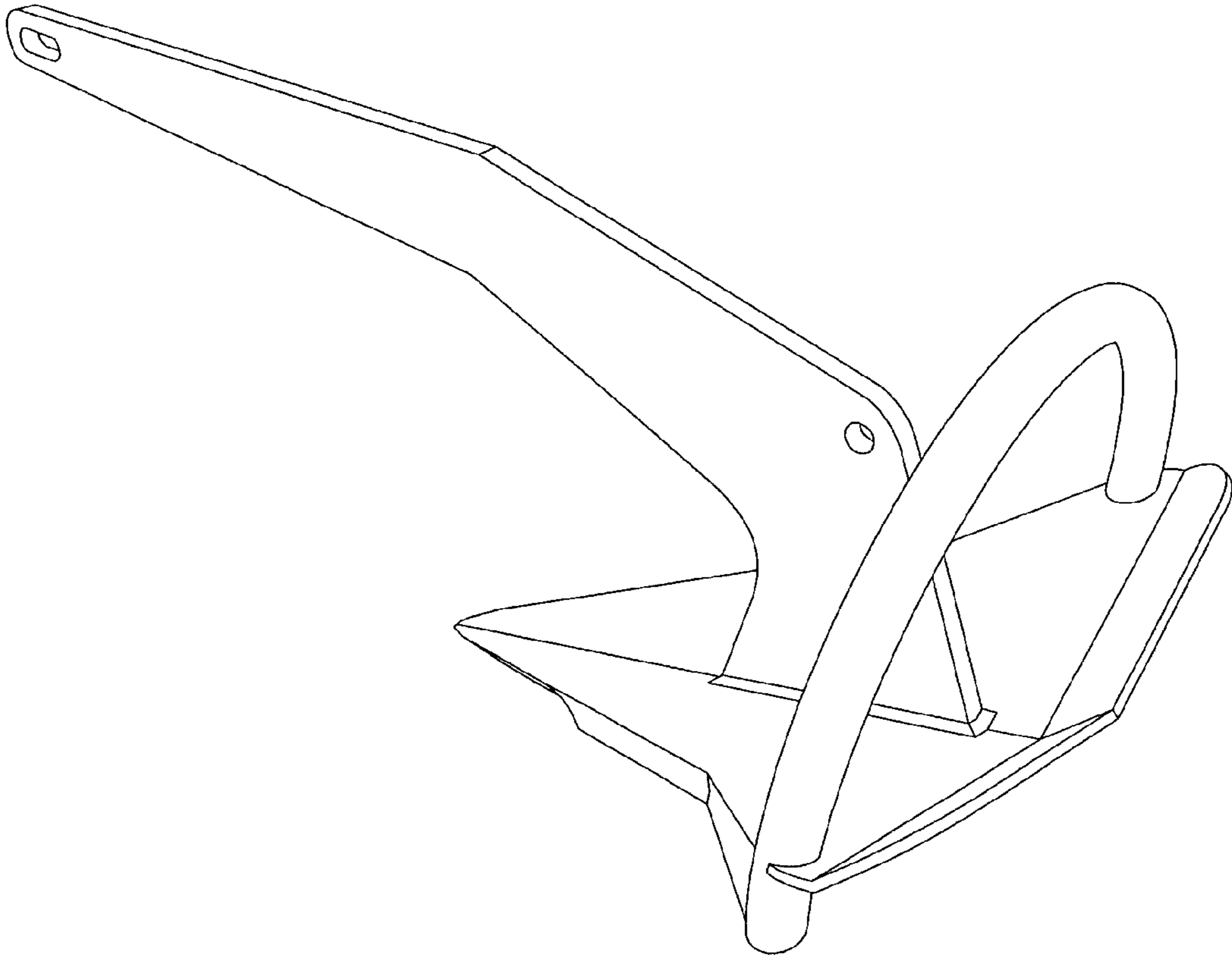


Figure 6

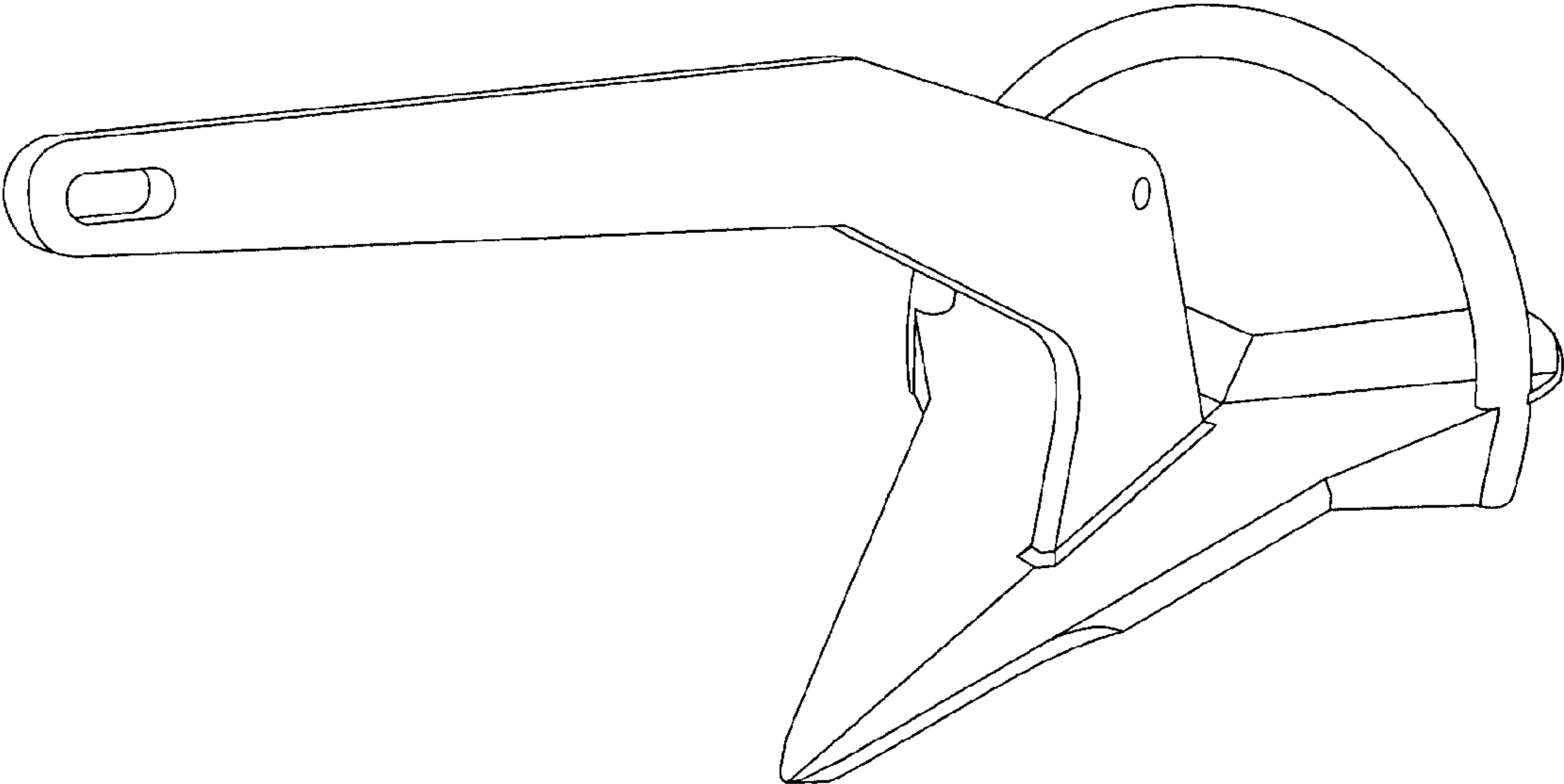


Figure 7